



US00D742204S

(12) **United States Design Patent**
Fortier et al.

(10) **Patent No.:** **US D742,204 S**
(45) **Date of Patent:** **** Nov. 3, 2015**

(54) **HOSE REEL**

(56) **References Cited**

(71) Applicant: **AMES TRUE TEMPER**, Camp Hill,
PA (US)

U.S. PATENT DOCUMENTS

(72) Inventors: **Nicola Fortier**, Quebec (CA); **Daniel Frank Marshall**, Enola, PA (US); **Eric Daniel Hyp**, Grandville, MI (US)

D294,455	S	3/1988	Nelson	
D351,333	S	10/1994	Nelson et al.	
5,381,981	A	1/1995	Nelson	
D375,251	S	* 11/1996	Stevens et al. D8/359
D384,878	S	10/1997	Kovacik et al.	
5,758,685	A	6/1998	Tisbo et al.	
D409,813	S	5/1999	Tisbo et al.	
5,934,314	A	8/1999	Spear et al.	
5,988,552	A	11/1999	Tisbo et al.	

(73) Assignee: **AMES TRUE TEMPER**, Camp Hill,
PA (US)

(**) Term: **14 Years**

(Continued)

(21) Appl. No.: **29/484,935**

OTHER PUBLICATIONS

(22) Filed: **Mar. 14, 2014**

<http://www.suncast.com/productdisplay.aspx?id=422&pid=148>
Mar. 15, 2012.

(Continued)

Related U.S. Application Data

(62) Division of application No. 29/432,292, filed on Sep. 14, 2012, now Pat. No. Des. 704,036.

Primary Examiner — Robert M Spear
Assistant Examiner — Eliza Bennett-Hattan

(30) **Foreign Application Priority Data**

Mar. 16, 2012 (EM) 002010256

(57) **CLAIM**

(51) **LOC (10) Cl.** **08-05**

The ornamental design for a hose reel, as shown and described.

(52) **U.S. Cl.**
USPC **D8/358**

DESCRIPTION

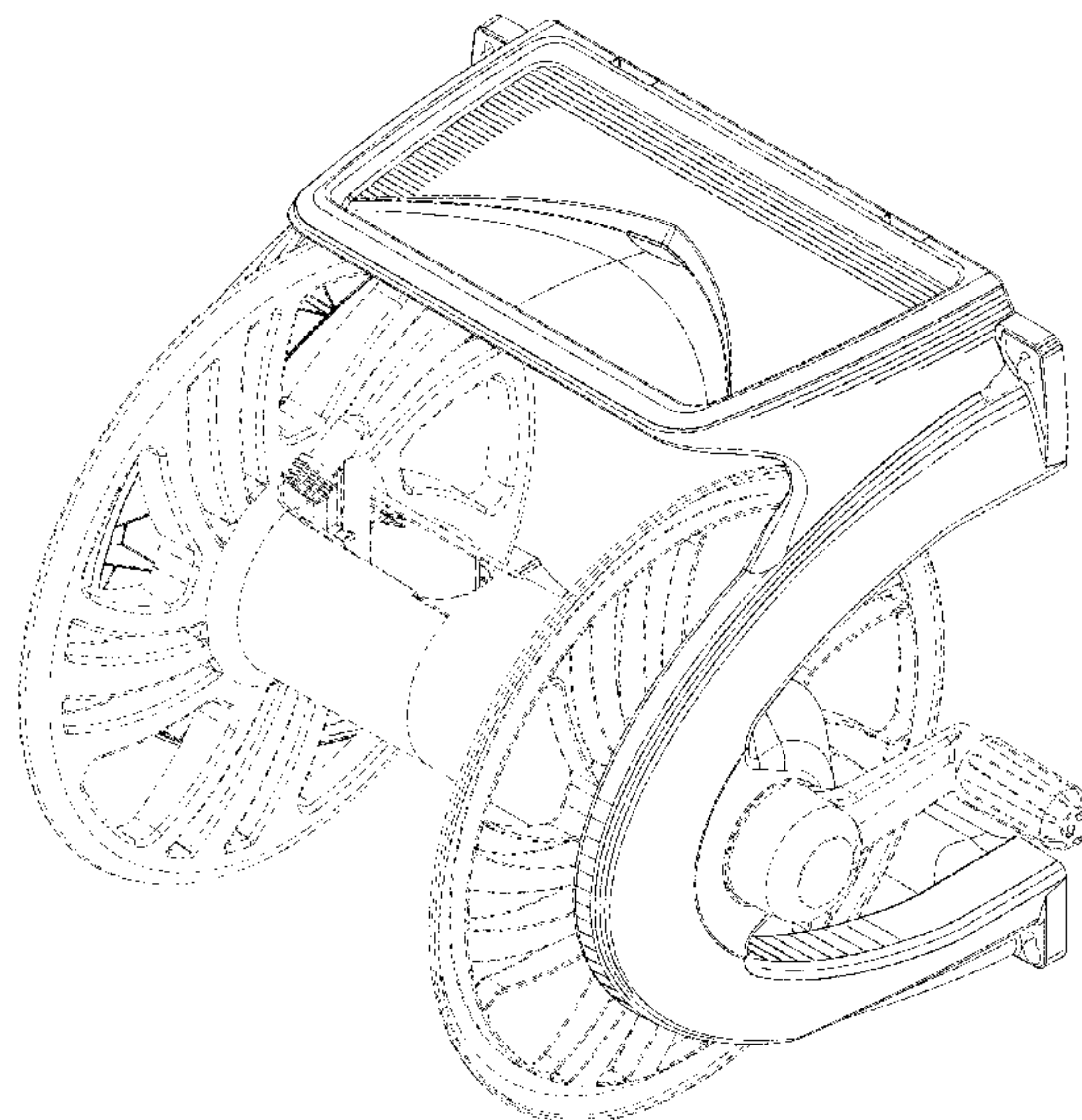
(58) **Field of Classification Search**
USPC D8/358, 360, 356, 359, 383, 380, 381;
D6/515; D12/96, 106, 400, 223, 217;
D10/72; D19/67; D13/137.4; D34/14,
D34/19, 24, 25

FIG. 1 is a perspective view of a hose reel showing my new design;
FIG. 2 is a front view of the hose reel of FIG. 1;
FIG. 3 is a first side view of the hose reel of FIG. 1;
FIG. 4 is a second side view of the hose reel of FIG. 1;
FIG. 5 is a top view of the hose reel of FIG. 1; and,
FIG. 6 is a bottom view of the hose reel of FIG. 1.
The broken lines in the drawings represent unclaimed environmental subject matter and form no part of the claims.

CPC B66D 3/006; B66D 3/18; B66D 3/26;
B66D 3/02; B66D 3/14; B63B 21/18; B63B
21/26; B65B 57/005; A61G 7/1051; A61G
7/1061; B65H 16/02; B65H 2301/4131;
B65H 75/4471; B66B 11/08

See application file for complete search history.

1 Claim, 6 Drawing Sheets



(56)

References Cited

U.S. PATENT DOCUMENTS

D417,538	S	12/1999	Tisbo et al.	
D501,788	S *	2/2005	Richardson et al.	D8/359
6,908,058	B2	6/2005	Moon et al.	
6,932,106	B1	8/2005	Wang	
D566,529	S *	4/2008	Black	D8/358
D654,649	S *	2/2012	Blaszczak et al.	D34/24
D672,634	S *	12/2012	Phillips et al.	D8/358
D672,635	S *	12/2012	Phillips et al.	D8/359
D673,030	S *	12/2012	Phillips et al.	D8/359
D704,036	S *	5/2014	Fortier et al.	D8/358
2012/0255625	A1	10/2012	Arcati	
2012/0255626	A1	10/2012	Arcati	

OTHER PUBLICATIONS

<http://www.suncast.com/productdisplay.aspx?id=202&pid=148>
Mar. 15, 2012.

<http://www.suncast.com/productdisplay.aspx?id=516&pid=148>
Mar. 15, 2012.

<http://www.suncast.com/productdisplay.aspx?id=155&pid=148>
Mar. 15, 2012.

<http://www.suncast.com/productdisplay.aspx?id=525&pid=148>
Mar. 15, 2012.

<http://www.gardena.com/fr/water-managennent/garden-hose-reel/kit-60-ts/> Mar. 15, 2012.

<http://www.gardena.com/fr/water-managennent/garden-hose-reel/kit-60-hg/> Mar. 15, 2012.

<http://www.gardena.com/fr/water-management/garden-hose-reel/kit-pour-devidoir-portable-10-classic/> Mar. 15, 2012.

<http://www.garant.com/html/en/produits/produit.php?idProduit=1005650&typeProduit=famille> Mar. 15, 2012.

<http://www.garant.com/html/en/produits/produit.php?idProduit=1008353&typeProduit=famille> Mar. 15, 2012.

<http://www.garant.com/html/en/produits/produit.php?idProduit=63&typeProduit=famille> Mar. 15, 2012.

<http://www.garant.com/html/en/produits/produit.php?idProduit=75&typeProduit=famille> Mar. 15, 2012.

<http://www.garant.com/html/en/produits/produit.php?idProduit=1008755&typeProduit=famille> Mar. 15, 2012.

<http://www.garant.com/html/en/produits/produit.php?idProduit=1008352&typeProduit=famille> Mar. 15, 2012.

<http://www.garant.com/html/en/produits/produit.php?idProduit=69&typeProduit=famille> Mar. 15, 2012.

<http://www.garant.com/html/en/produits/produit.php?idProduit=1008754&typeProduit=famille> Mar. 15, 2012.

<http://www.garant.com/html/en/produits/produit.php?idProduit=1003652&typeProduit=famille> Mar. 15, 2012.

<http://www.garant.com/html/en/produits/produit.php?idProduit=1005653&typeProduit=famille> Mar. 15, 2012.

<http://www.garant.com/html/en/produits/produit.php?idProduit=1008346&typeProduit=famille> Mar. 15, 2012.

<http://www.garant.com/html/en/produits/produit.php?idProduit=70&typeProduit=famille> Mar. 15, 2012.

<http://www.garant.com/html/en/produits/produit.php?idProduit=1008358&typeProduit=famille> Mar. 15, 2012.

* cited by examiner

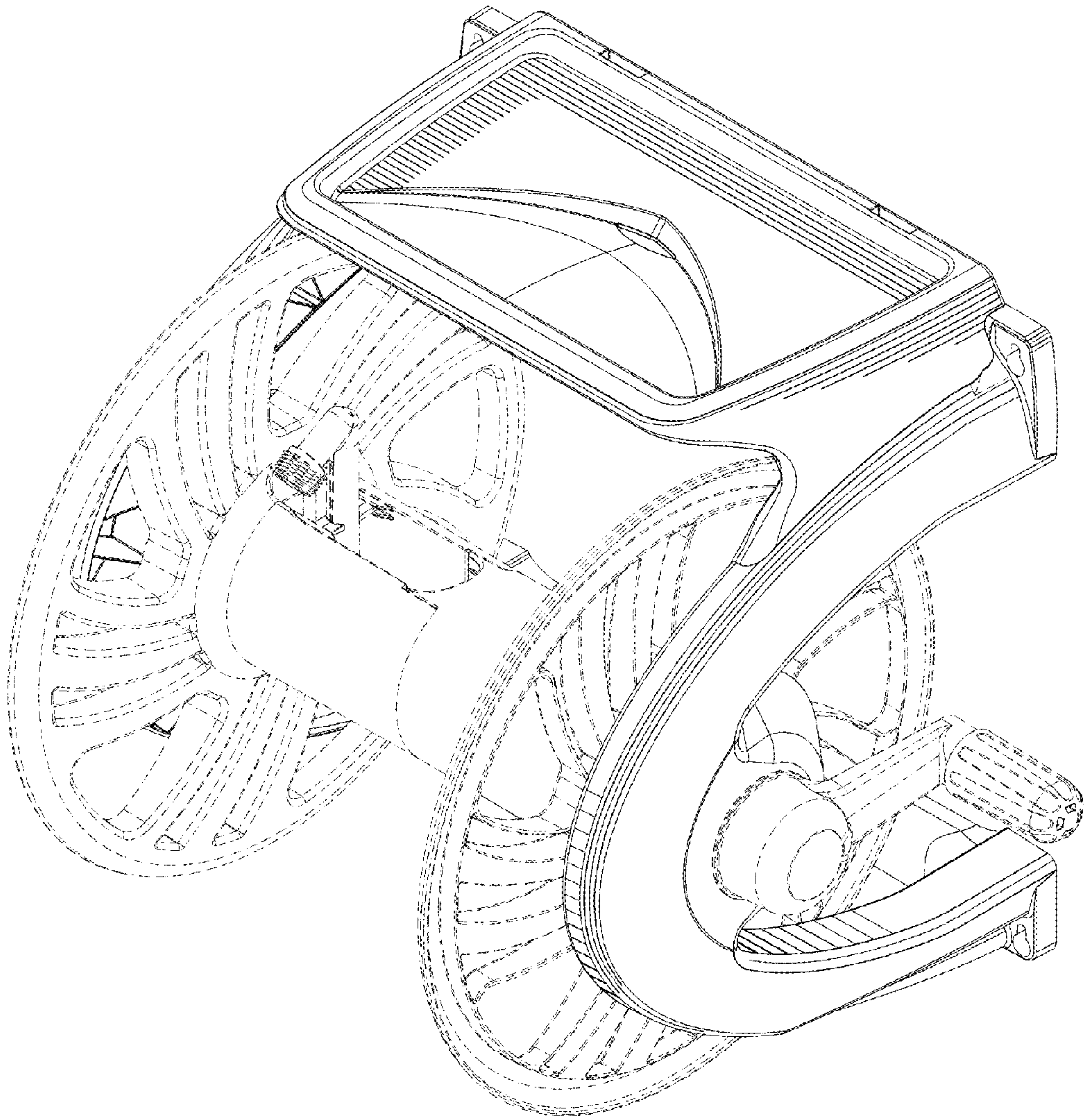


FIG. 1

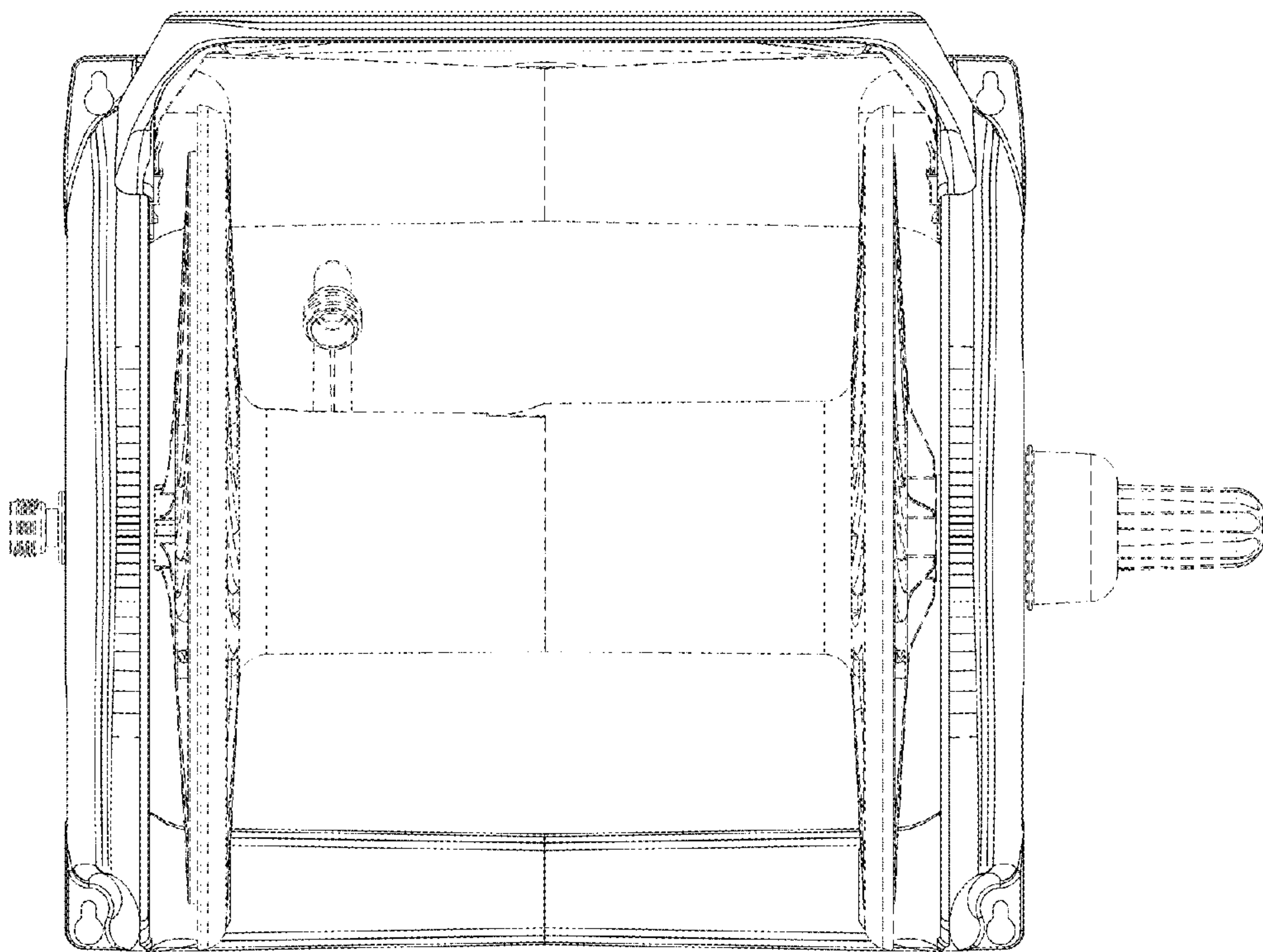


Fig. 2

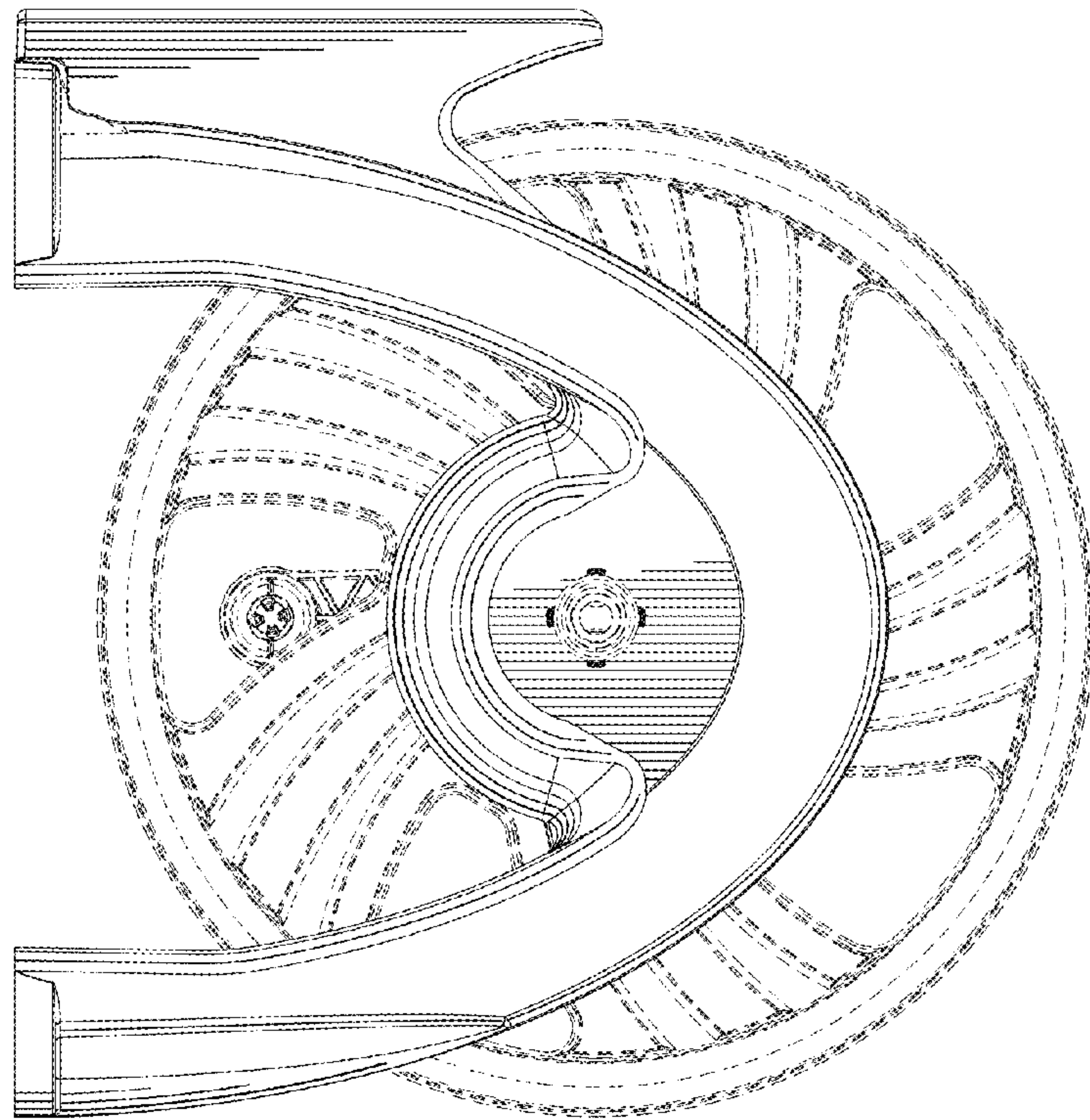


FIG. 3

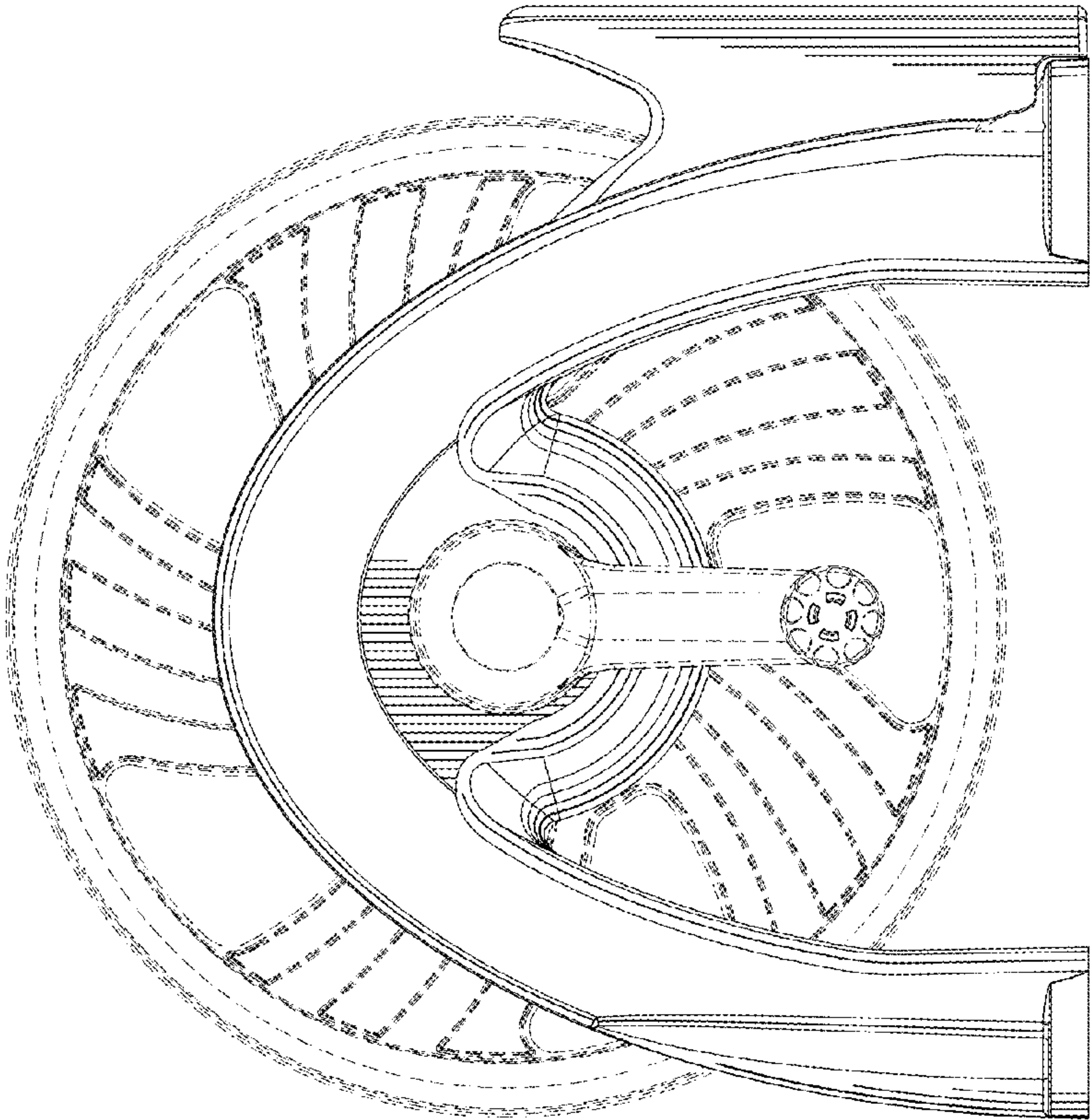


FIG. 4

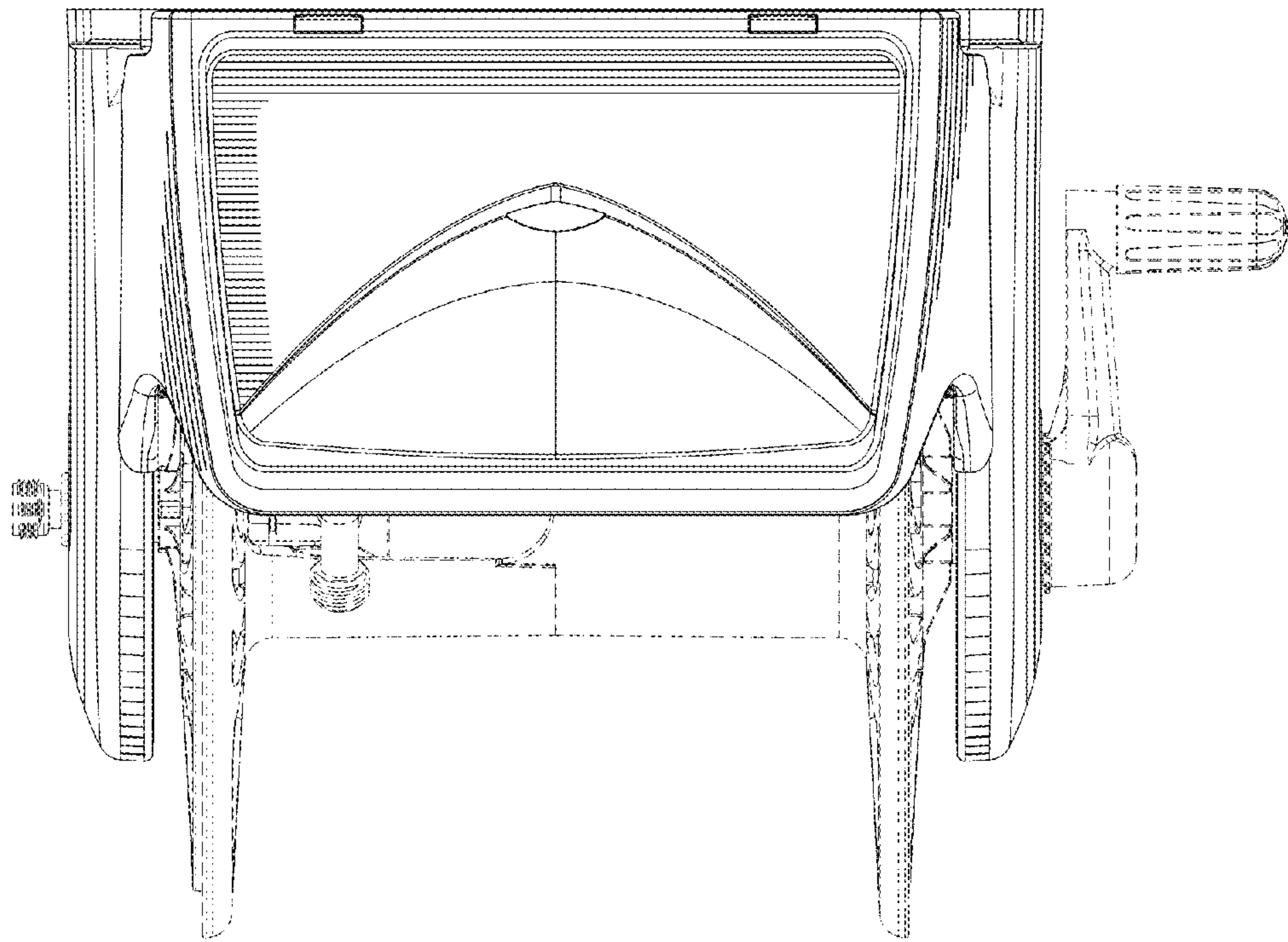


FIG. 5

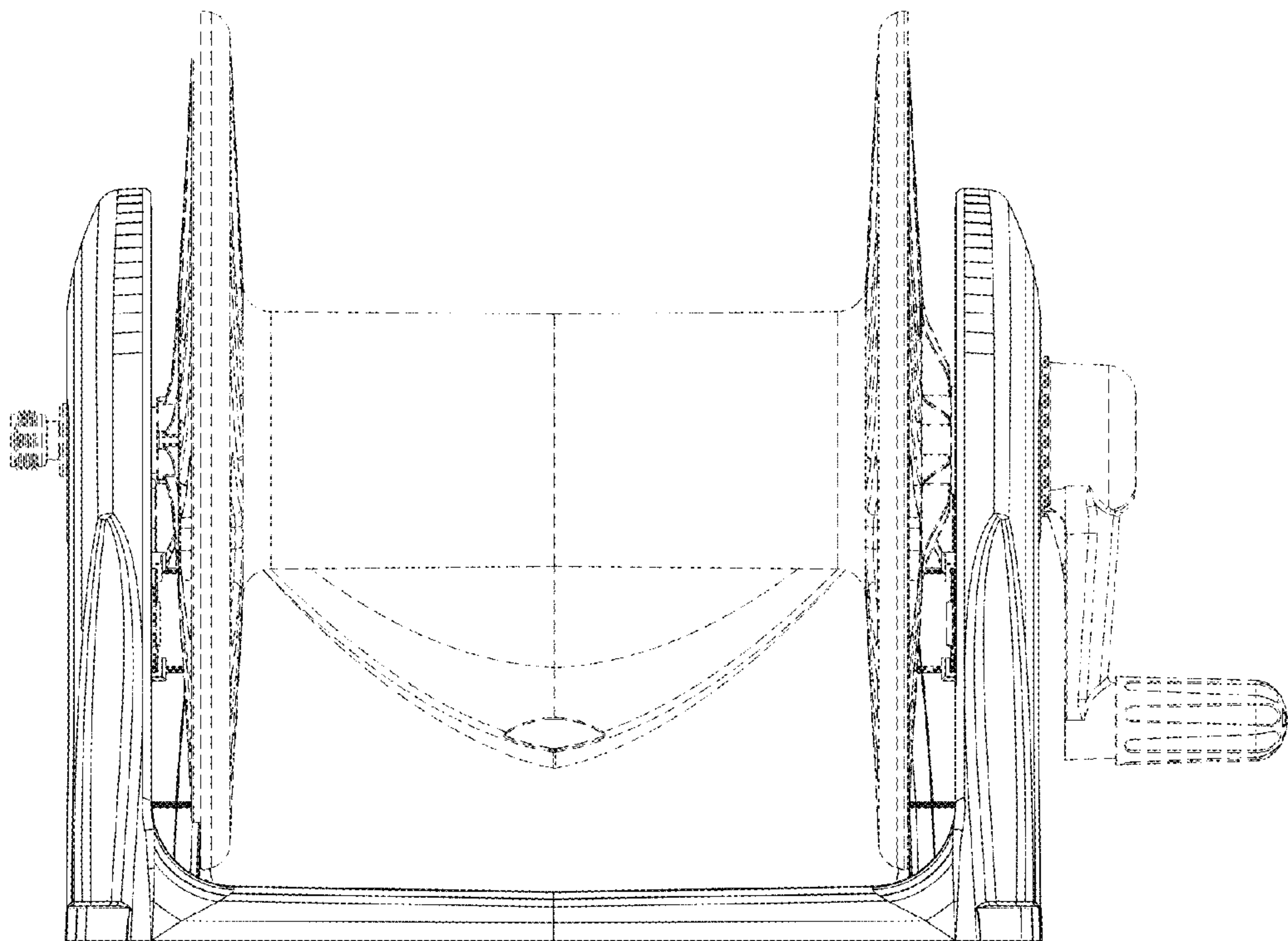


FIG. 6