



US00D742201S

(12) **United States Design Patent**  
**Bao et al.**

(10) **Patent No.:** **US D742,201 S**  
(45) **Date of Patent:** **\*\* Nov. 3, 2015**

(54) **LATCH MECHANISM**

(56) **References Cited**

(75) Inventors: **Yuan-Yuan Bao**, Kunshan (CN);  
**Xiao-Zhi Fu**, Kunshan (CN); **Ze-Lin Yao**,  
Kunshan (CN); **Ming-Chang Tsai**,  
New Taipei (TW); **Jui-Chi Su**, New  
Taipei (TW); **Chi-Tung Mo**, New Taipei  
(TW)

(73) Assignee: **HON HAI PRECISION INDUSTRY  
CO., LTD.**, New Taipei (TW)

(\*\*) Term: **14 Years**

(21) Appl. No.: **29/413,856**

(22) Filed: **Feb. 22, 2012**

(30) **Foreign Application Priority Data**

Sep. 5, 2011 (CN) ..... 2011 3 0308232

(51) **LOC (10) Cl.** ..... **08-07**

(52) **U.S. Cl.**  
USPC ..... **D8/339; D8/331**

(58) **Field of Classification Search**  
USPC ..... D8/330, 331, 343, 339-342, 349, 400;  
70/57, 57.1, 51, 52, 141, 266, 416,  
70/442, 443, DIG. 78, DIG. 79, DIG. 80  
See application file for complete search history.

U.S. PATENT DOCUMENTS

4,930,819	A *	6/1990	Sharp et al. ....	292/42
D311,323	S *	10/1990	Weinerman et al. ....	D8/331
5,301,989	A *	4/1994	Dallmann et al. ....	292/142
D347,159	S *	5/1994	Crocker et al. ....	D8/339
D350,055	S *	8/1994	Few .....	D8/331
D424,405	S *	5/2000	Schlack et al. ....	D8/331
D432,897	S *	10/2000	Spangler .....	D8/331
6,174,007	B1 *	1/2001	Schlack et al. ....	292/336.3
D515,400	S *	2/2006	Tozer .....	D8/343
D633,367	S *	3/2011	Scherr .....	D8/331
8,382,168	B2 *	2/2013	Carabalona et al. ....	292/251.5
8,407,925	B2 *	4/2013	Fesas .....	42/124

\* cited by examiner

*Primary Examiner* — Prabhakar Deshmukh

(74) *Attorney, Agent, or Firm* — Wei Te Chung; Ming Chieh Chang

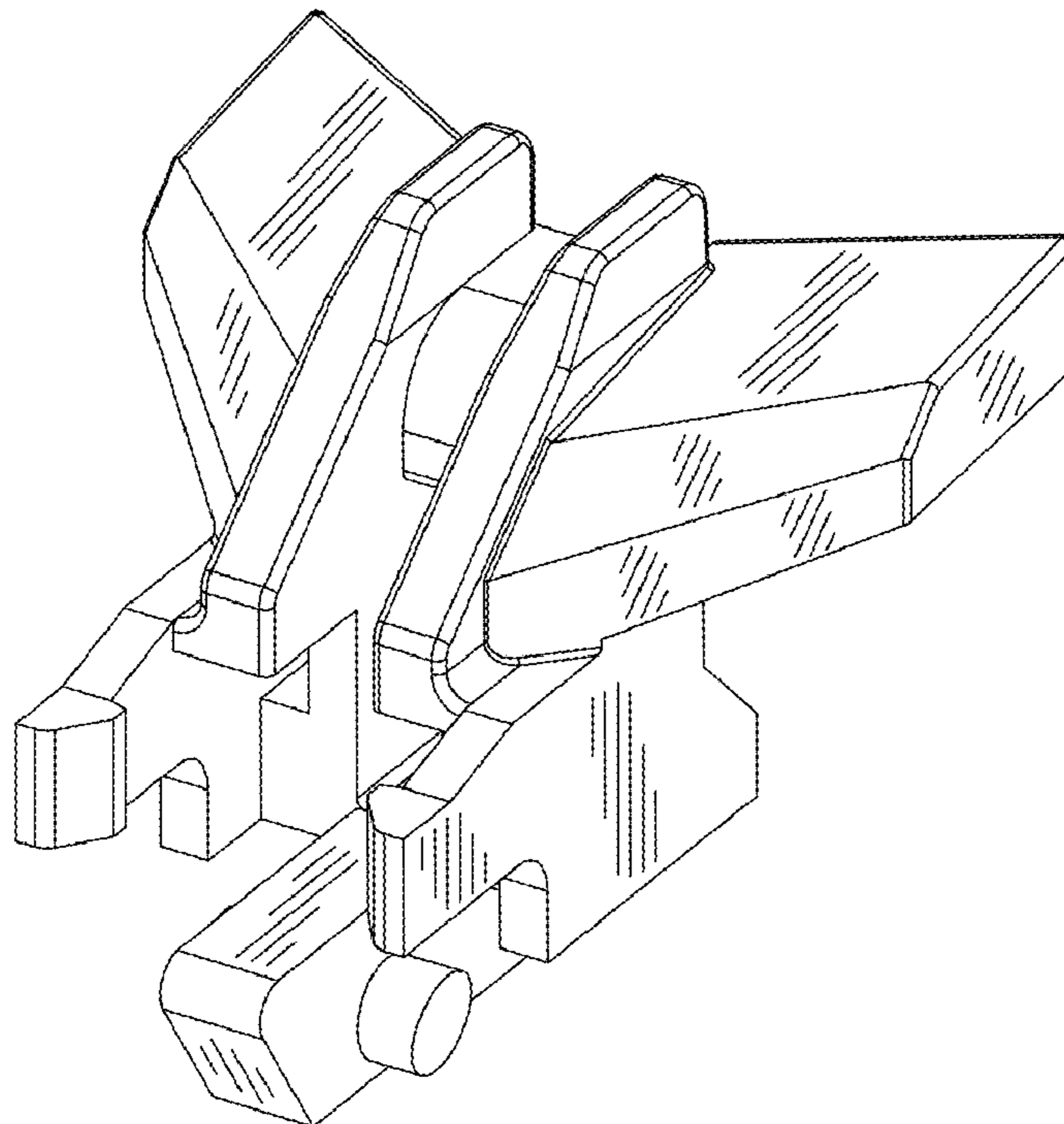
(57) **CLAIM**

The ornamental design for an latch mechanism, as shown and described.

**DESCRIPTION**

FIG. 1 is a front, top and right side perspective view of an embodiment of an latch mechanism showing our new design; FIG. 2 is a front elevational view thereof; FIG. 3 is a rear elevational view thereof; FIG. 4 is a left side elevational view thereof; FIG. 5 is a right side elevational view thereof; FIG. 6 is a top plan view thereof; and, FIG. 7 is a bottom plan view thereof.

**1 Claim, 7 Drawing Sheets**



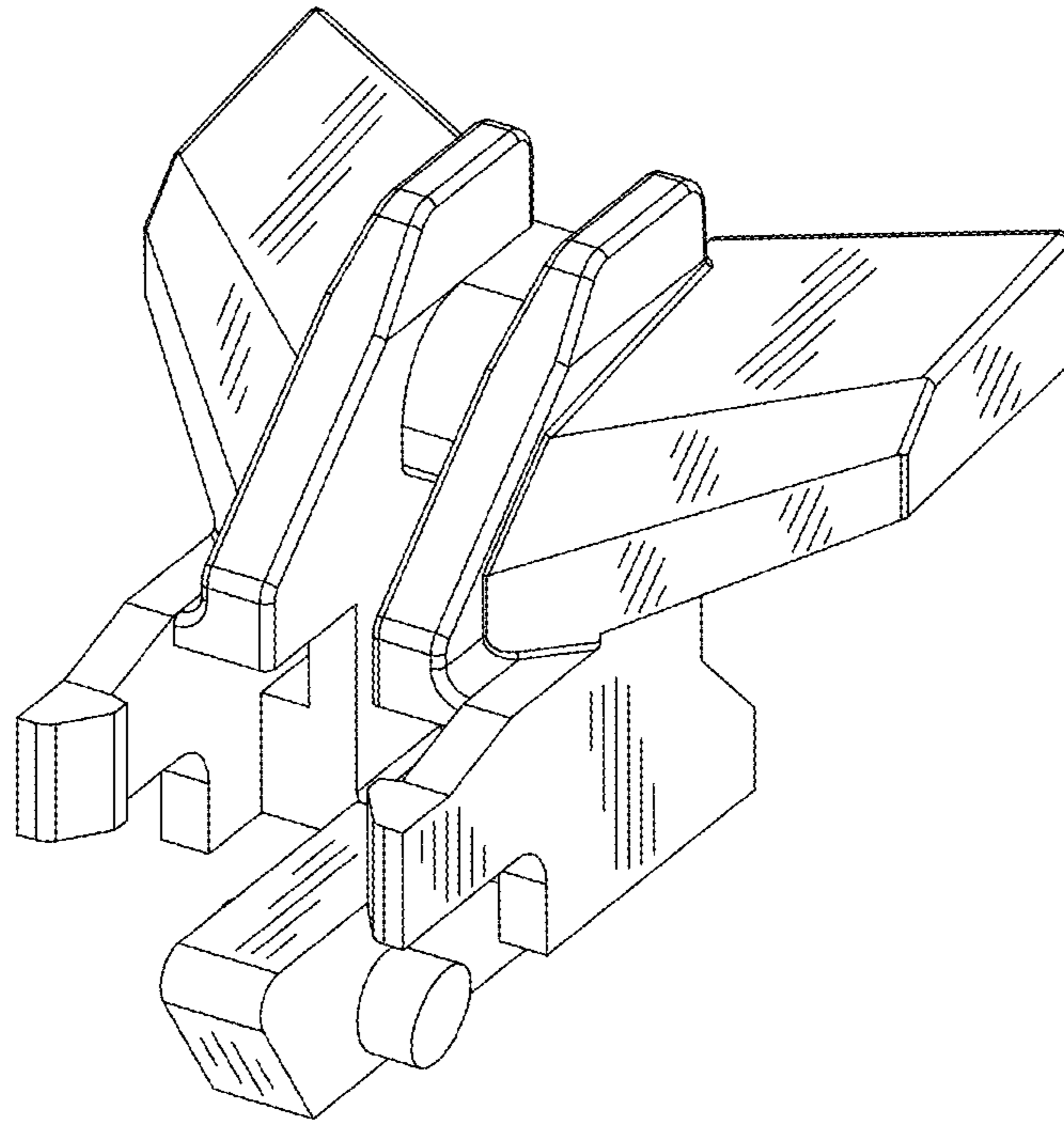


FIG. 1

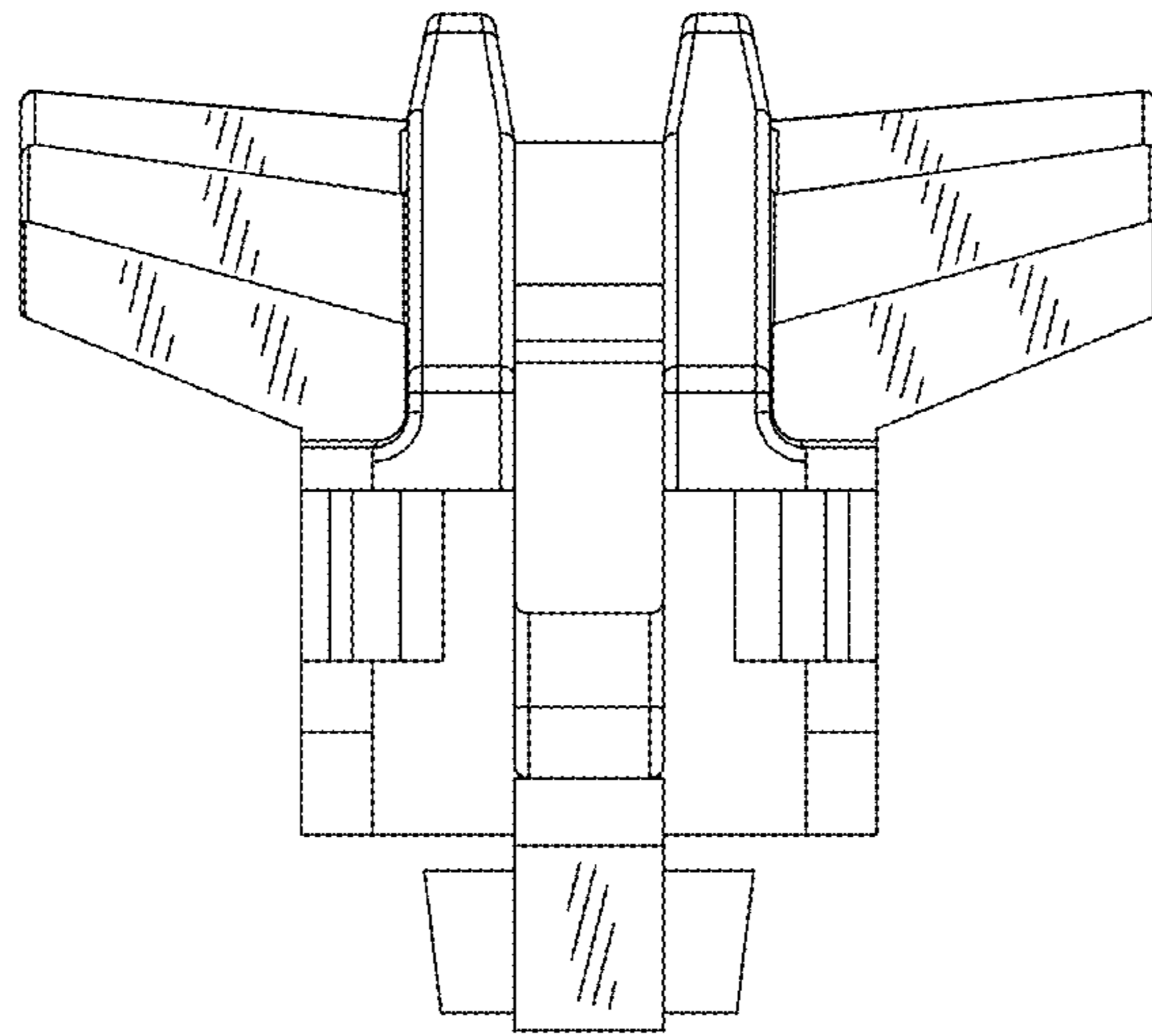


FIG. 2

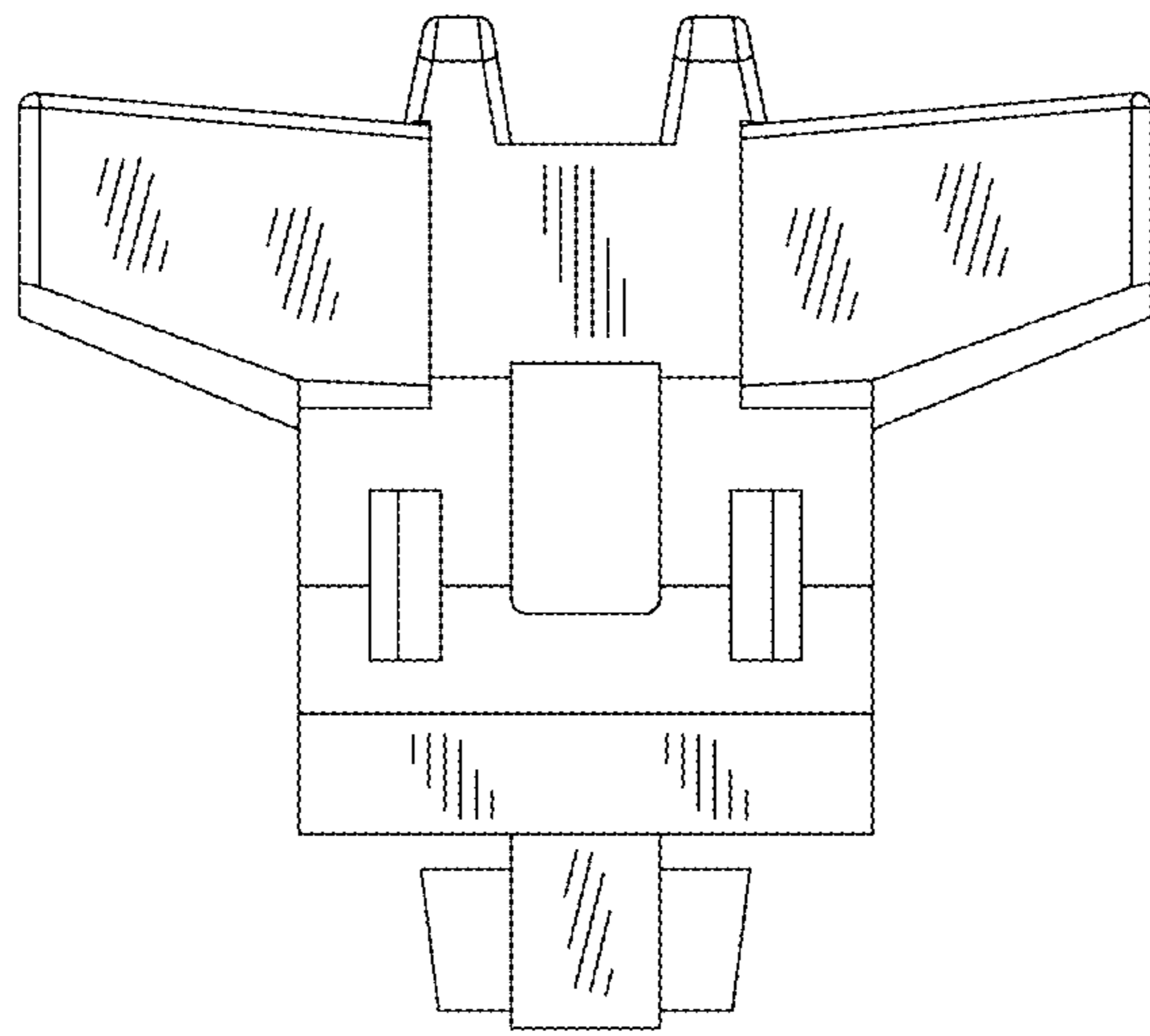


FIG. 3

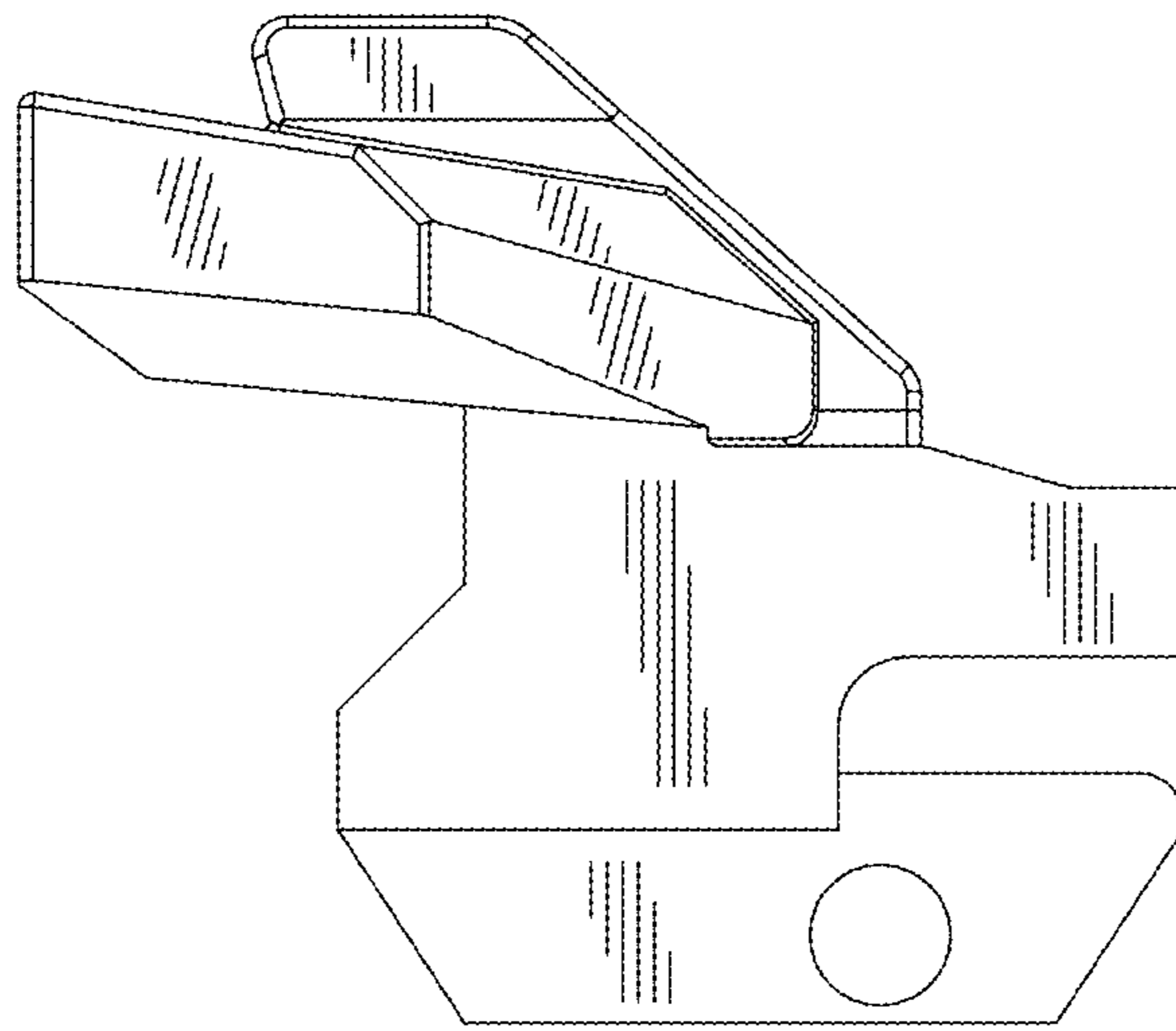


FIG. 4

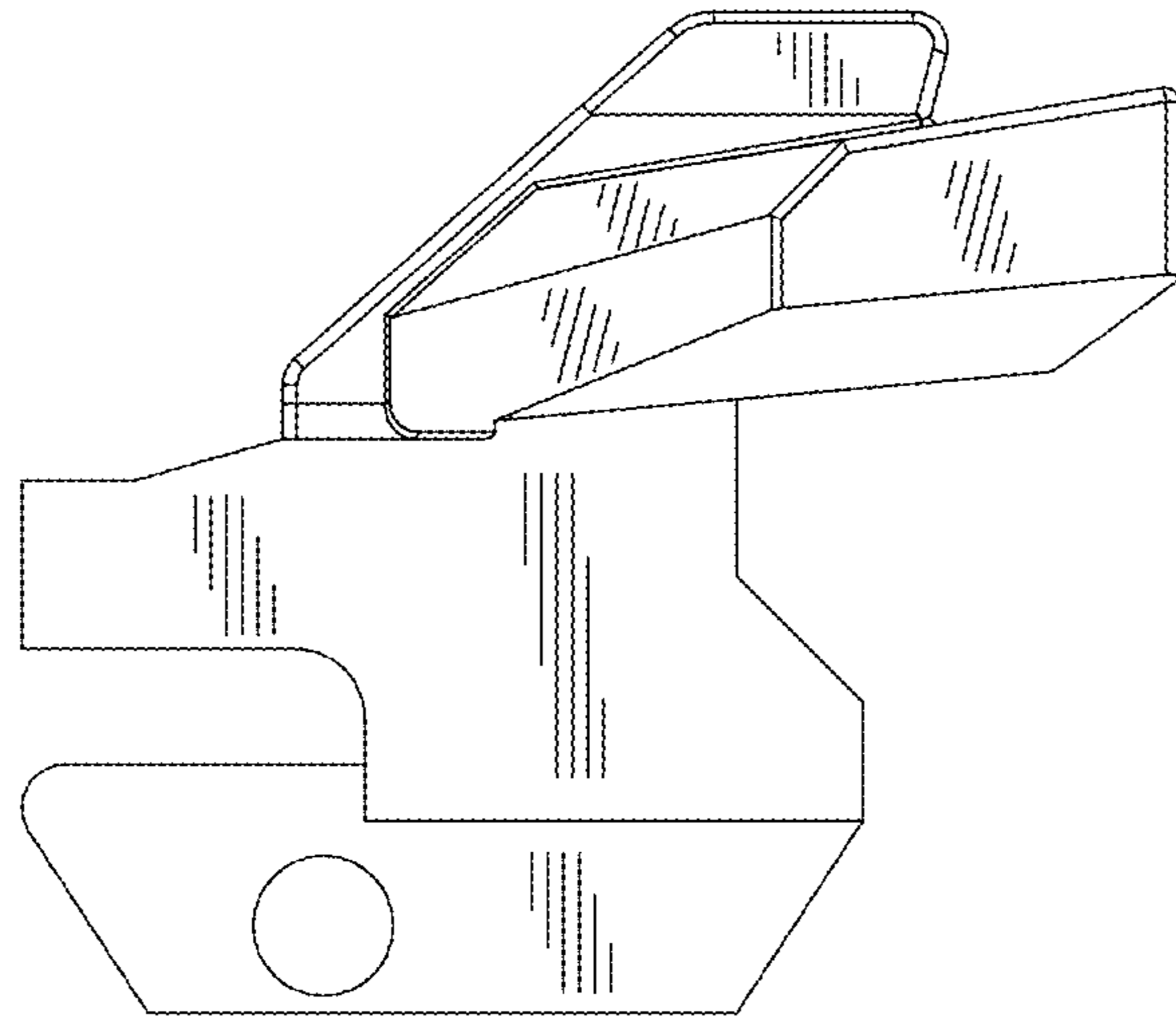


FIG. 5

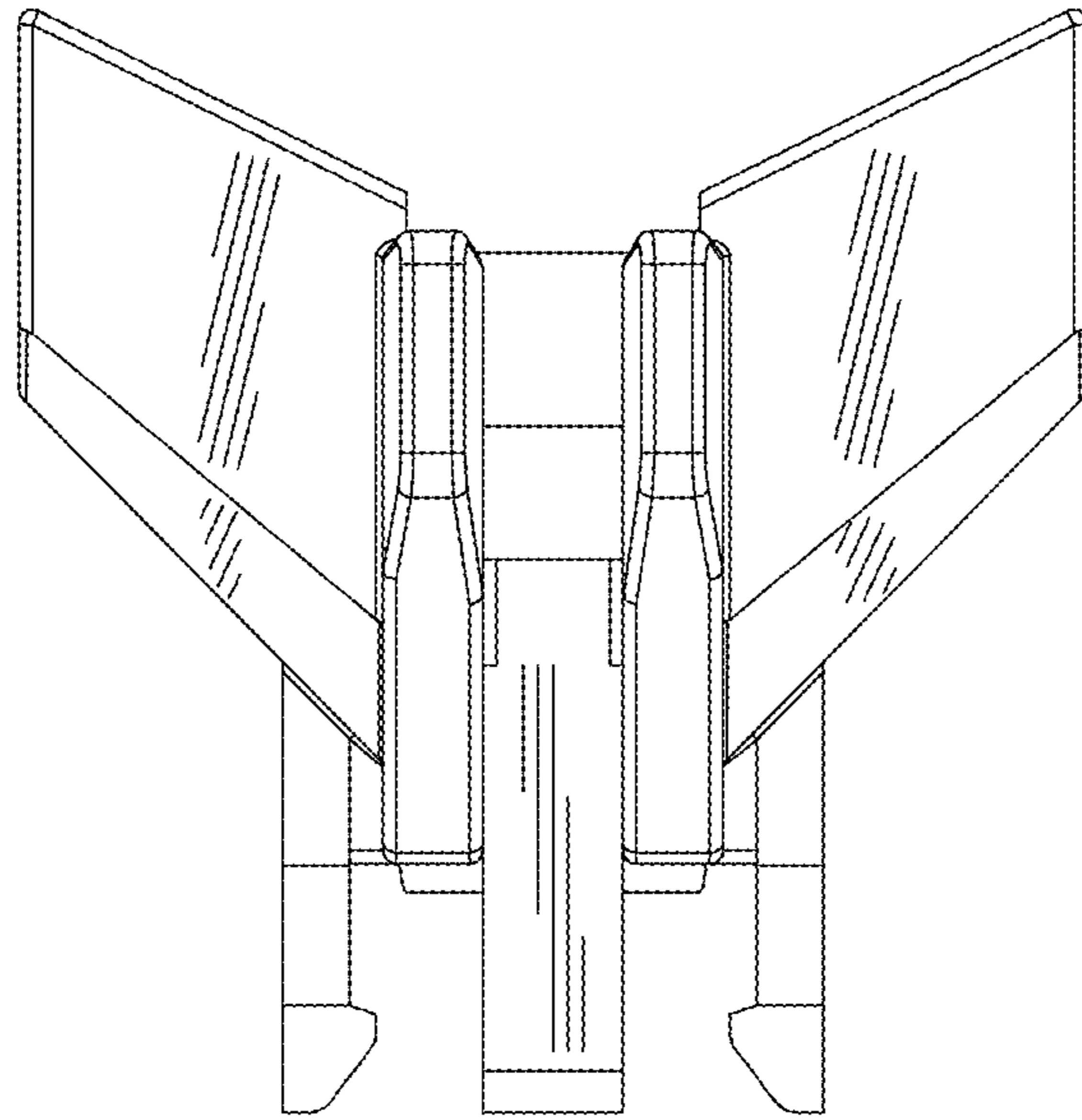


FIG. 6

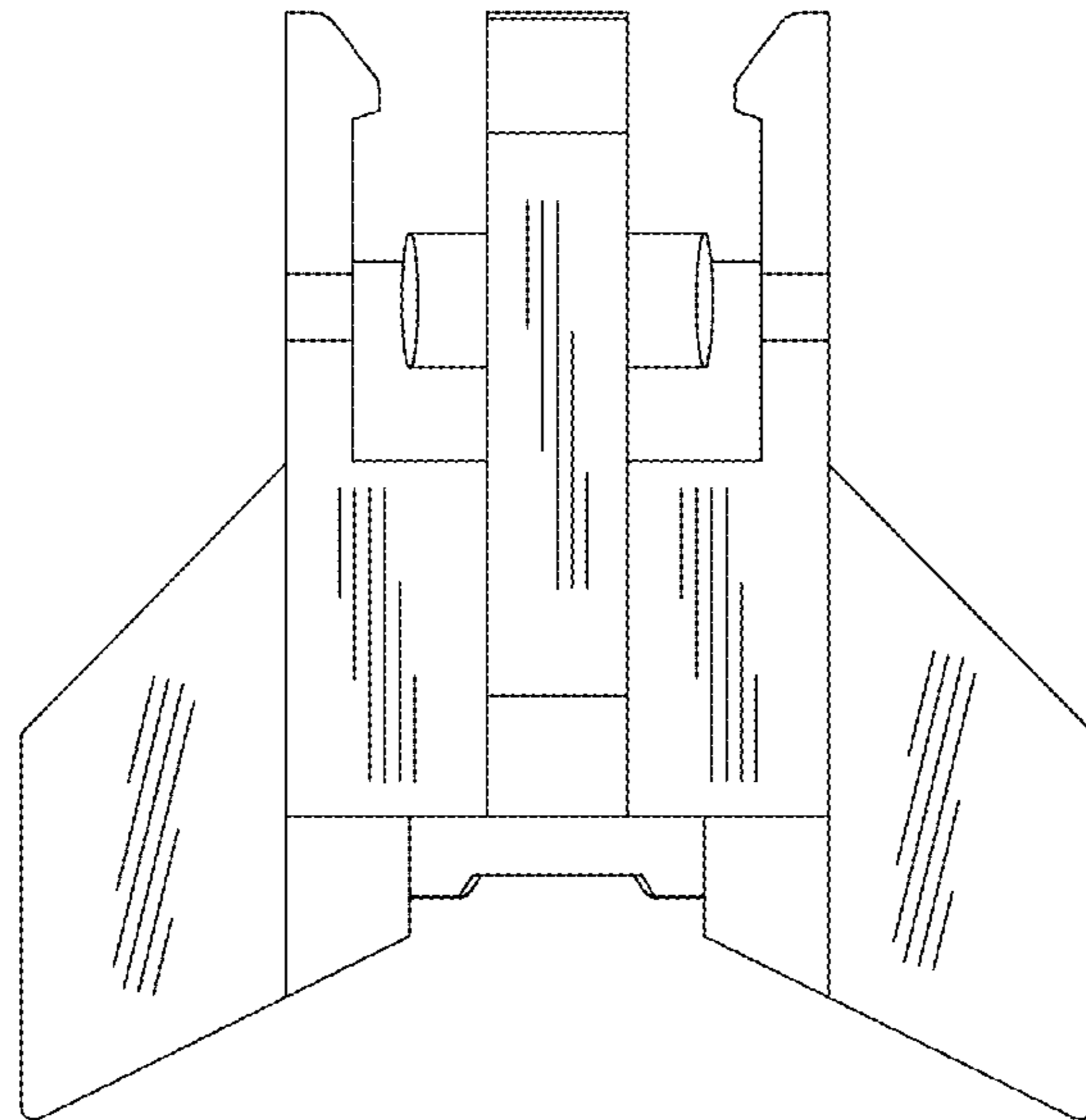


FIG. 7