



US00D742200S

(12) **United States Design Patent**
Worrell

(10) **Patent No.:** **US D742,200 S**
(45) **Date of Patent:** **** Nov. 3, 2015**

- (54) **WINDOW SASH LATCH**
- (71) Applicant: **Truth Hardware**, Owatonna, MN (US)
- (72) Inventor: **Jimmie W. Worrell**, Faribault, MN (US)
- (73) Assignee: **Truth Hardware**, Owatonna, MN (US)
- (**) Term: **14 Years**
- (21) Appl. No.: **29/499,386**

- (22) Filed: **Aug. 14, 2014**
- (51) **LOC (10) Cl.** **08-07**
- (52) **U.S. Cl.**
USPC **D8/331**
- (58) **Field of Classification Search**
USPC D8/330, 331, 335, 339, 302, 343;
70/141, 208; 292/336.3, 169, 358, 359,
292/170, 175, 165, 224, 140-145, 240-242,
292/DIG. 14, DIG. 30, DIG. 31, DIG. 4
CPC E05C 1/06; E05C 1/10; E05C 3/14;
E05C 1/08
See application file for complete search history.

(56) **References Cited**

U.S. PATENT DOCUMENTS

D295,019	S *	4/1988	Bocson	D8/337
D386,384	S *	11/1997	Rausch et al.	D8/330
5,741,032	A *	4/1998	Chaput	292/202
7,000,957	B2 *	2/2006	Lawrence	292/241
D519,824	S *	5/2006	Collings et al.	D8/331
7,118,142	B2 *	10/2006	Xu	292/139
7,159,908	B2 *	1/2007	Liang	292/242

D568,143	S *	5/2008	Slater	D8/331
7,407,199	B2 *	8/2008	Richardson	292/163
D579,314	S *	10/2008	Tozer et al.	D8/331
7,874,598	B2 *	1/2011	Chung	292/163
8,657,347	B2 *	2/2014	Liang et al.	292/175

* cited by examiner

Primary Examiner — Prabhakar Deshmukh

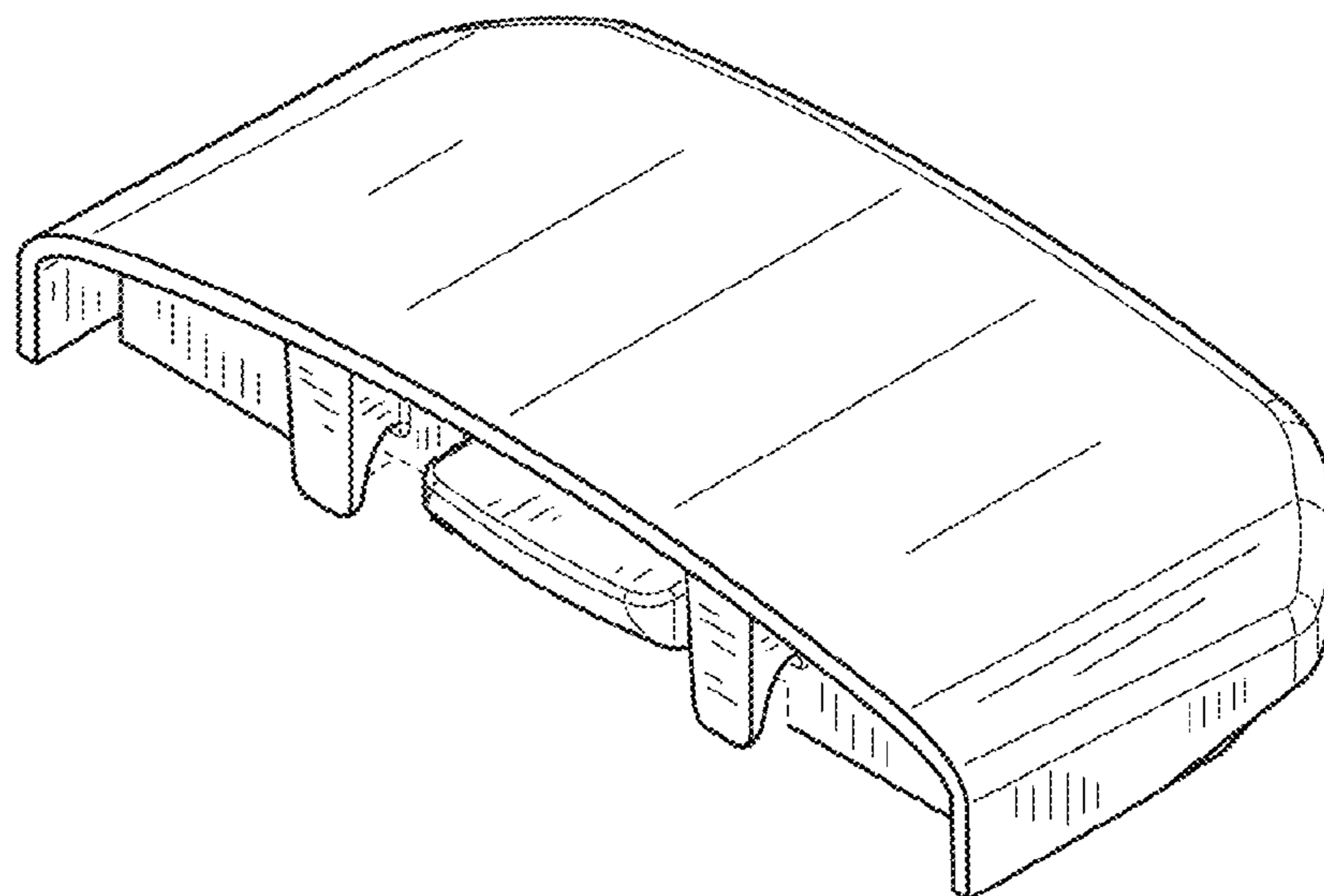
(57) **CLAIM**

The ornamental design for a window sash latch, as shown and described.

DESCRIPTION

FIG. 1 is a top front perspective view of a window sash latch showing my new design.
 FIG. 2 is a bottom front perspective view of the window sash latch of FIG. 1.
 FIG. 3 is a top rear perspective view of the window sash latch of FIG. 1.
 FIG. 4 is a front elevation view of the window sash latch of FIG. 1.
 FIG. 5 is a rear elevation view of the window sash latch of FIG. 1.
 FIG. 6 is a right elevation view of the window sash latch of FIG. 1.
 FIG. 7 is a left elevation view of the window sash latch of FIG. 1.
 FIG. 8 is a top plan view of the window sash latch of FIG. 1; and,
 FIG. 9 is a bottom plan view of the window sash latch of FIG. 1.
 The broken lines depict portions of the window sash latch that form no part of the claimed design.

1 Claim, 6 Drawing Sheets



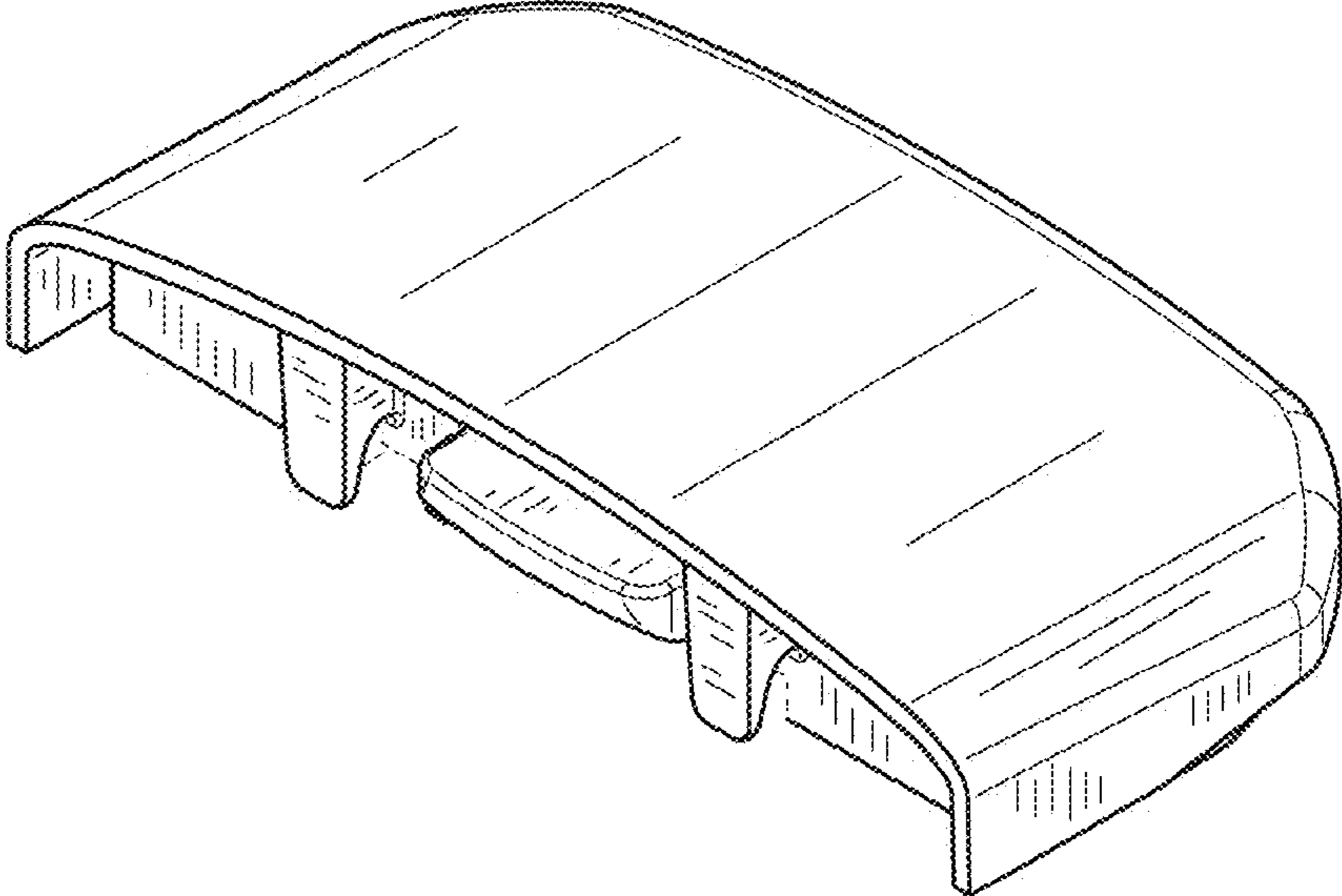


FIG.1

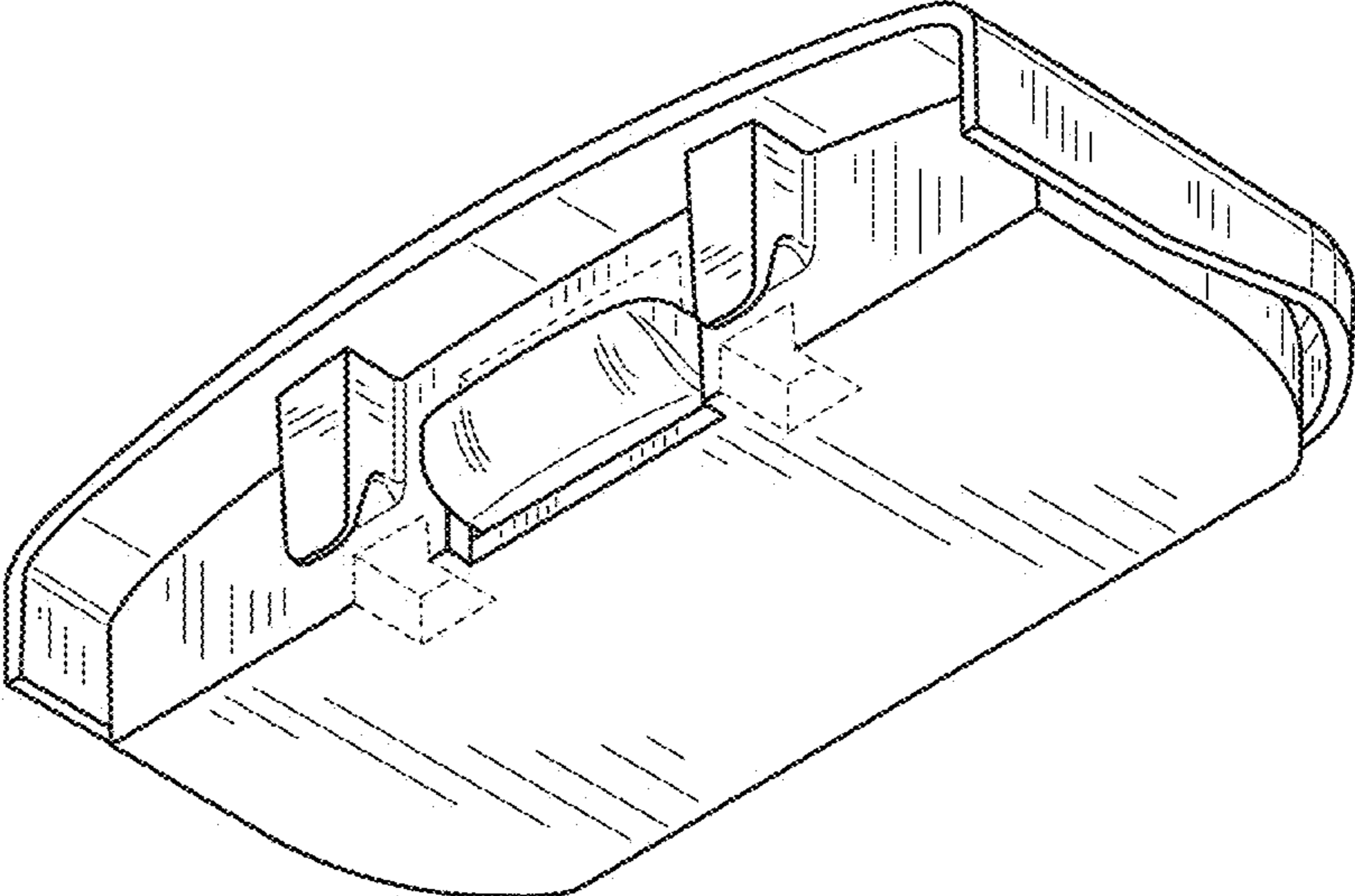


FIG.2

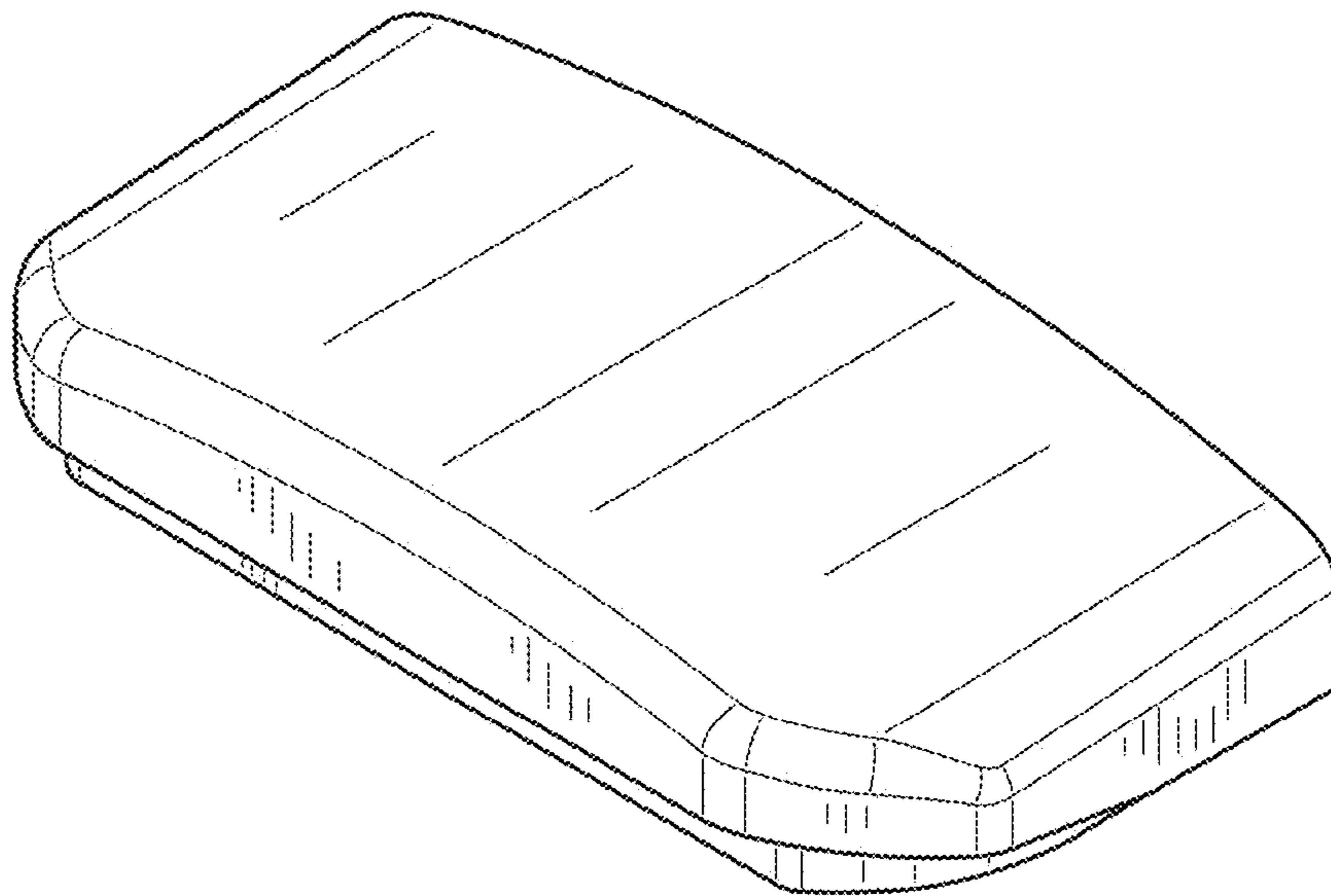


FIG.3

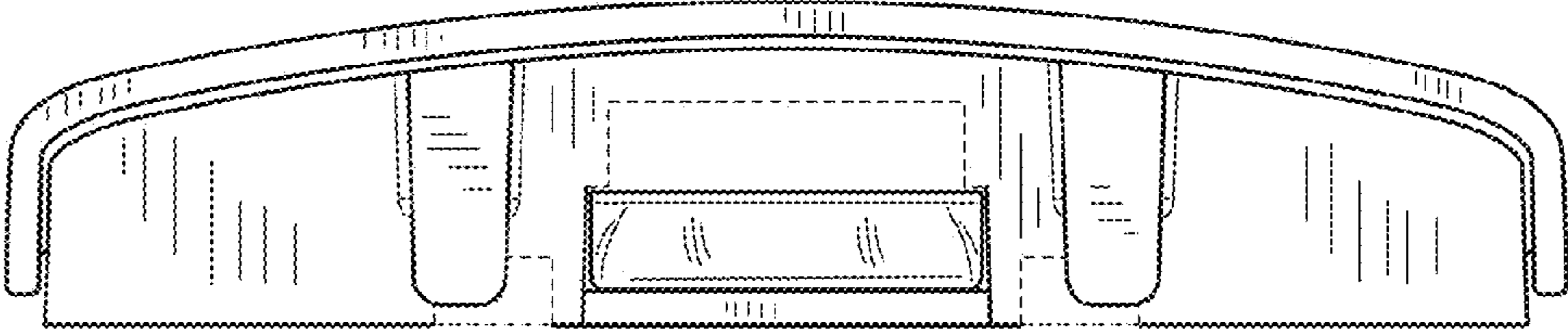


FIG. 4

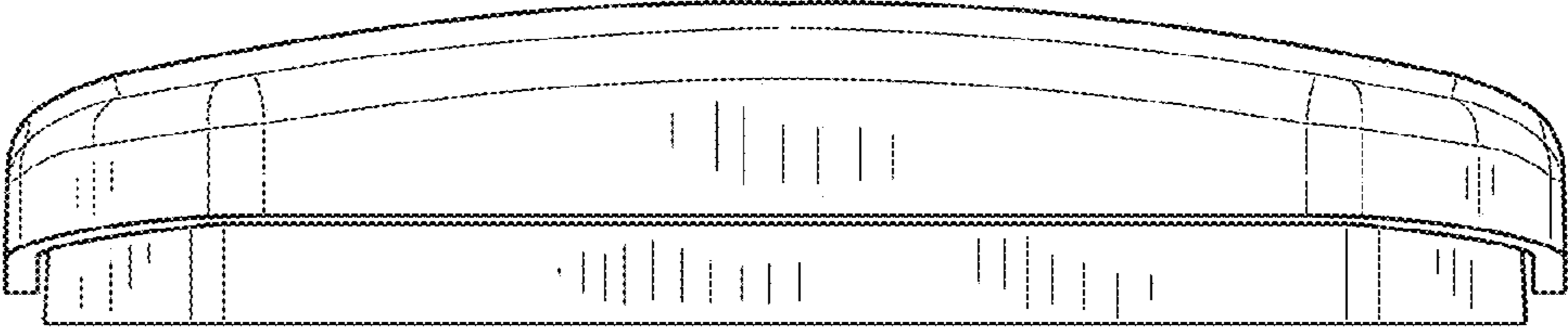


FIG. 5

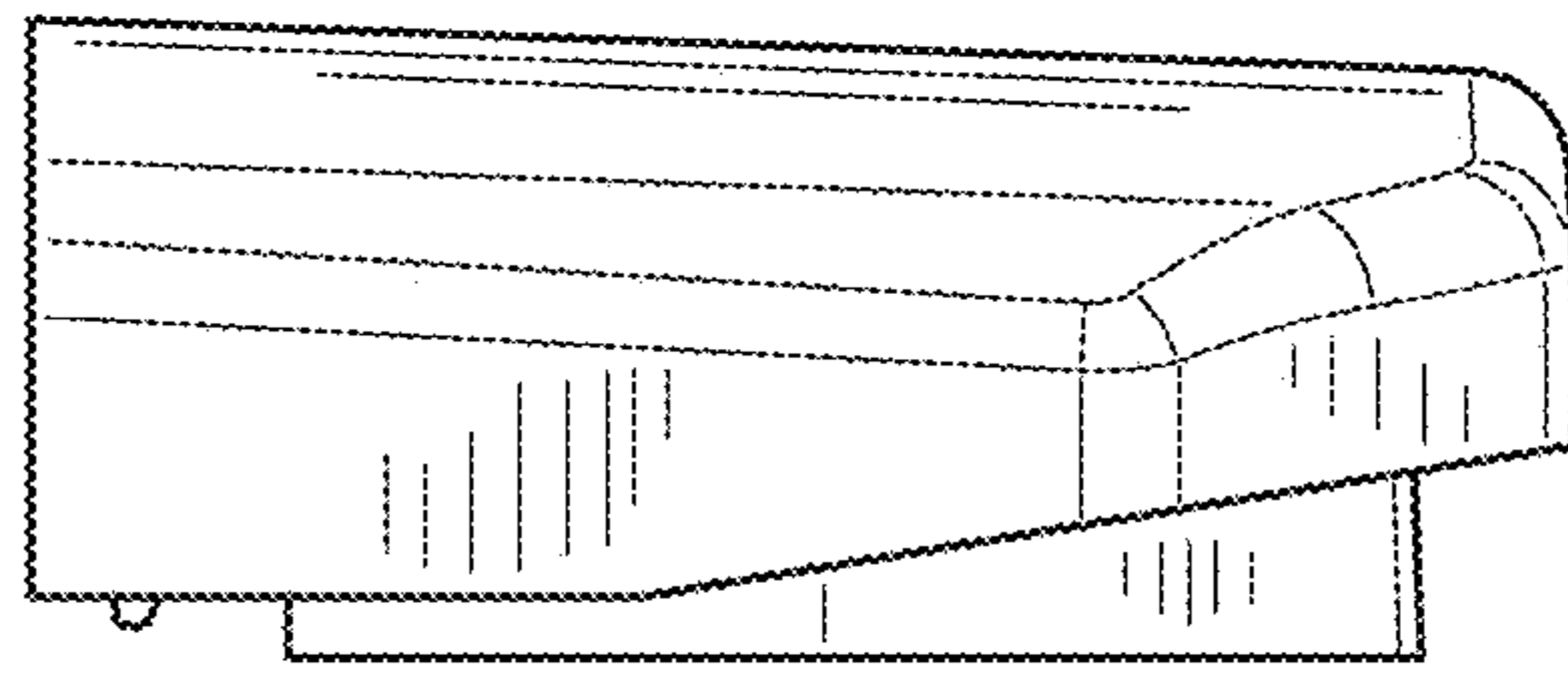


FIG. 6

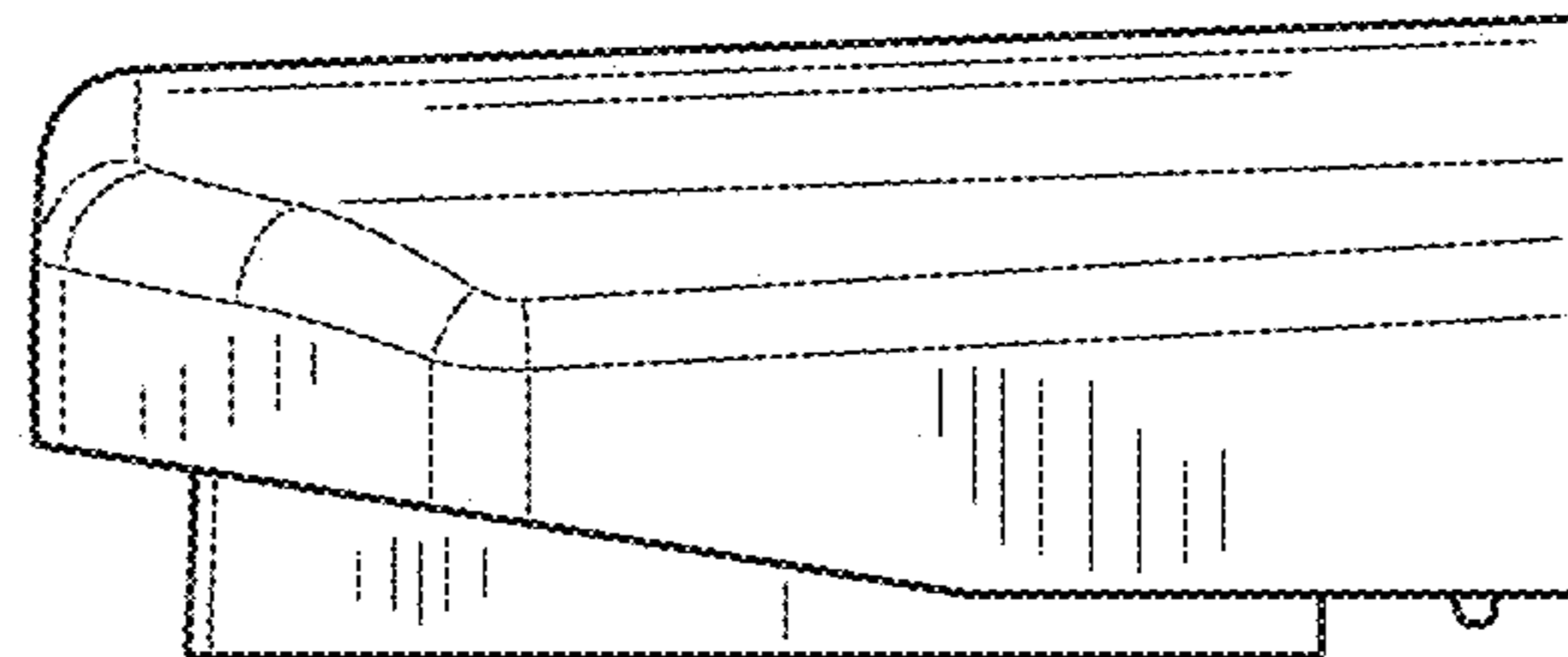


FIG. 7

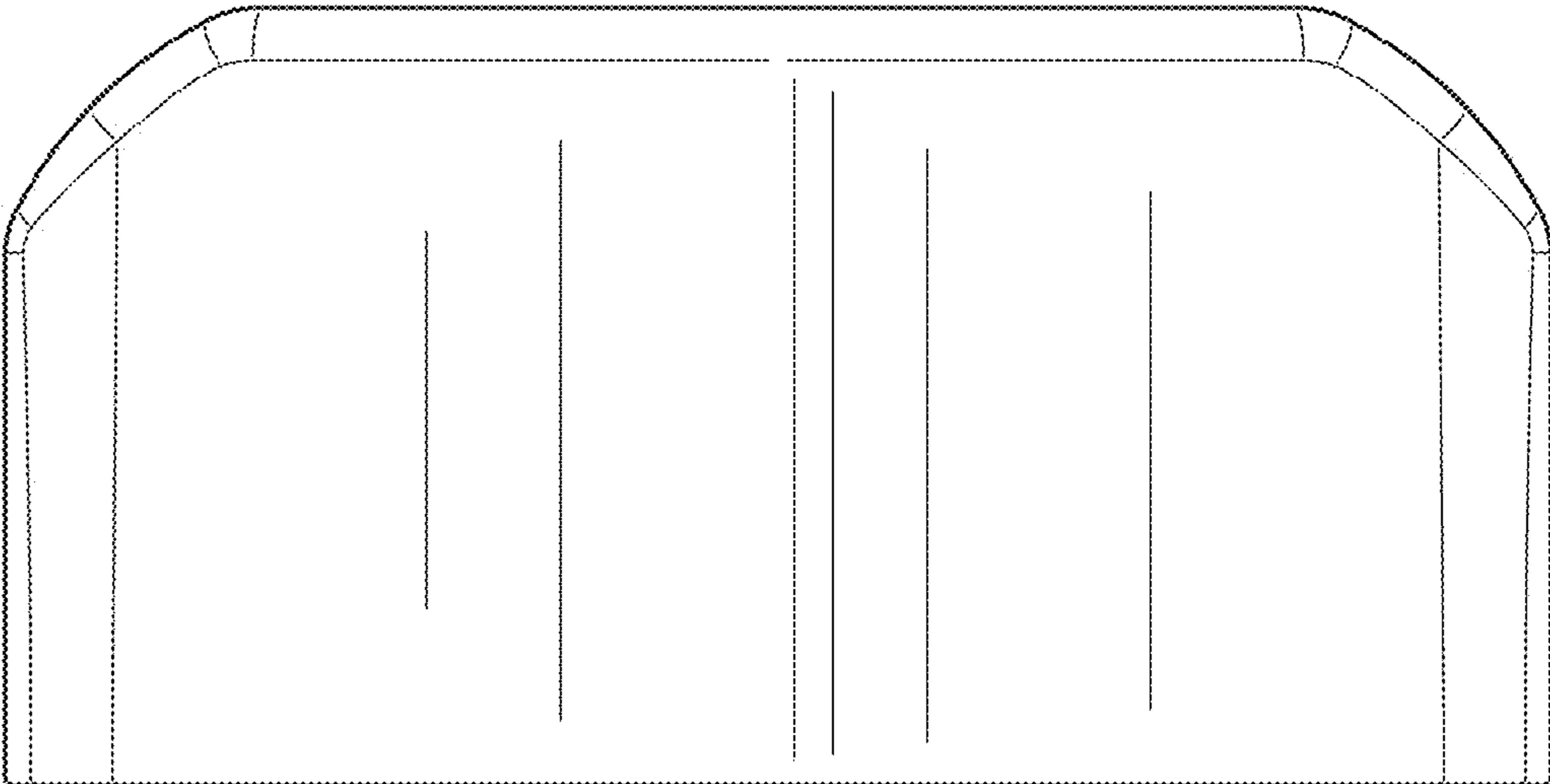


FIG.8

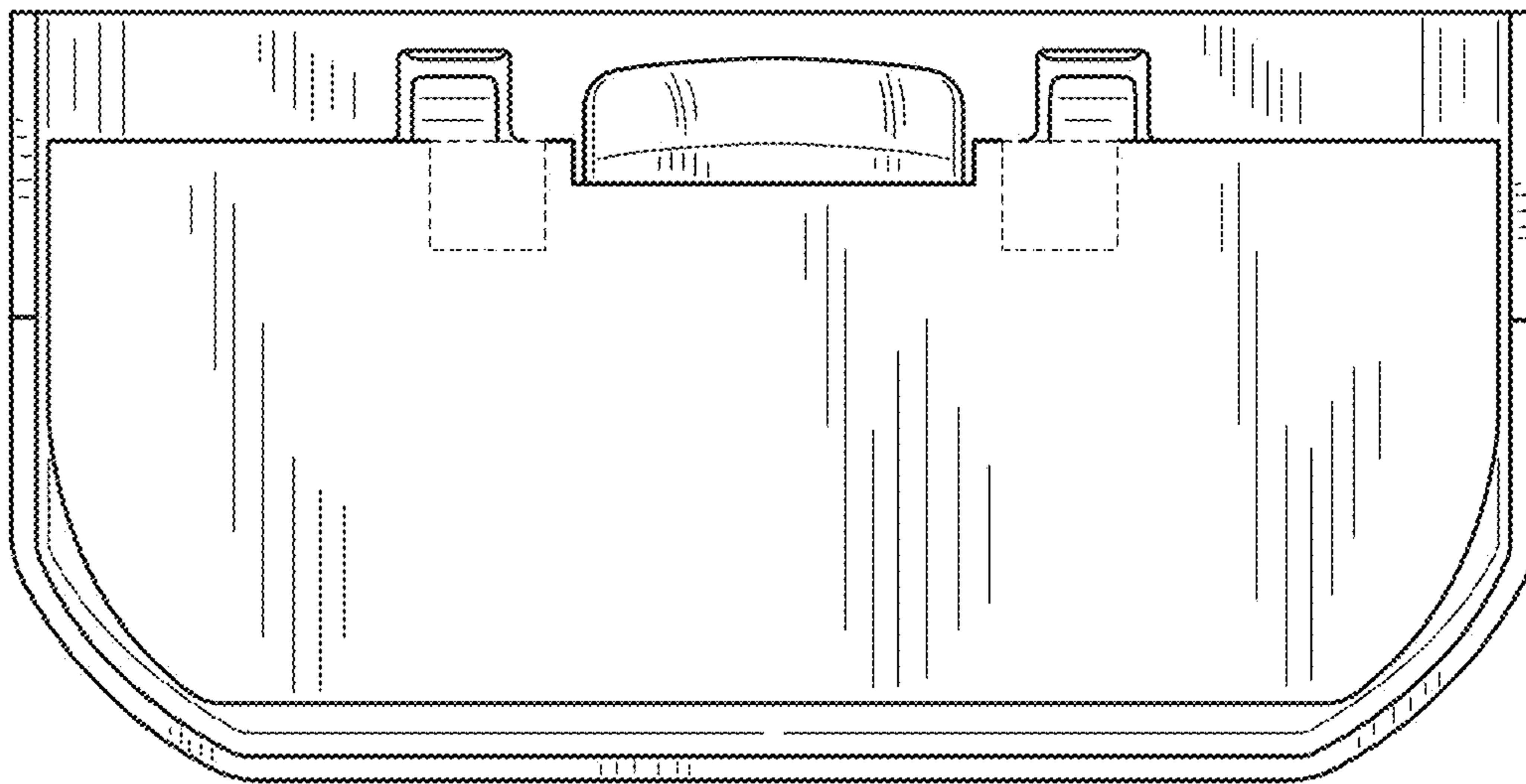


FIG.9