



US00D742199S

(12) **United States Design Patent**
Arvinte et al.

(10) **Patent No.:** **US D742,199 S**
(45) **Date of Patent:** **** Nov. 3, 2015**

(54) **TAPING KNIFE**

(71) Applicant: **A. RICHARD TOOLS CO.,**
Berthierville (CA)

(72) Inventors: **Romeo Arvinte**, Laval-des-Rapides
(CA); **Francois Panfili**, Berthierville
(CA)

(73) Assignee: **A. RICHARD TOOLS CO.,**
Berthierville, Quebec (CA)

(**) Term: **14 Years**

(21) Appl. No.: **29/495,225**

(22) Filed: **Jun. 27, 2014**

(51) **LOC (10) Cl.** **08-06**

(52) **U.S. Cl.**
USPC **D8/107**

(58) **Field of Classification Search**

USPC D8/12, 45, 61, 68, 70, 71, 72, 74,
D8/75-77, 80, 83, 94, 98, 99, 101, 102,
D8/104, 105, 107, 300, 303, 307;
D21/568, 756, 757; D22/117, 118;
D7/393, 395, 642, 664; D4/129, 138;
16/110.1, 421, 426, 430; 81/489, 487,
81/491; 15/105.5, 235.3, 235.4, 235.5,
15/235.6, 235.7, 235.8, 236.01; 30/165,
30/169

CPC Y10T 16/44; Y10T 16/476; Y10T 16/469;
Y10T 74/20828; Y10T 74/20732; Y10T
29/49826; Y10T 4/20864; Y10T 292/57;
Y10T 407/1825; Y10T 16/4559; Y10T
16/459; Y10T 29/4594; Y10T 74/20822;
Y10T 29/53991; Y10T 29/537; E04F 21/06;
E04F 21/16; E04F 21/32; E04F 21/162;
E04F 21/02

See application file for complete search history.

(56) **References Cited**

U.S. PATENT DOCUMENTS

5,067,889	A *	11/1991	Humiston	425/458
5,615,445	A *	4/1997	Kelsay et al.	15/245.1
D389,720	S *	1/1998	Warner et al.	D8/107
D483,244	S *	12/2003	Chen	D8/107
D541,616	S *	5/2007	Bruno et al.	D8/107
D541,617	S *	5/2007	Perez et al.	D8/107
D557,102	S *	12/2007	Perez et al.	D8/107
D562,517	S *	2/2008	Henke et al.	D32/46
7,587,778	B2 *	9/2009	Rosso et al.	7/143
8,205,289	B1 *	6/2012	Croft	15/245.1
D674,259	S *	1/2013	Metaxatos et al.	D8/45
D674,260	S *	1/2013	Metaxatos et al.	D8/45
D682,062	S *	5/2013	Metaxatos et al.	D8/45
2007/0074401	A1 *	4/2007	Myers et al.	30/142

* cited by examiner

Primary Examiner — Derrick Holland

Assistant Examiner — Lauren Calve

(74) *Attorney, Agent, or Firm* — Merchant & Gould P.C.

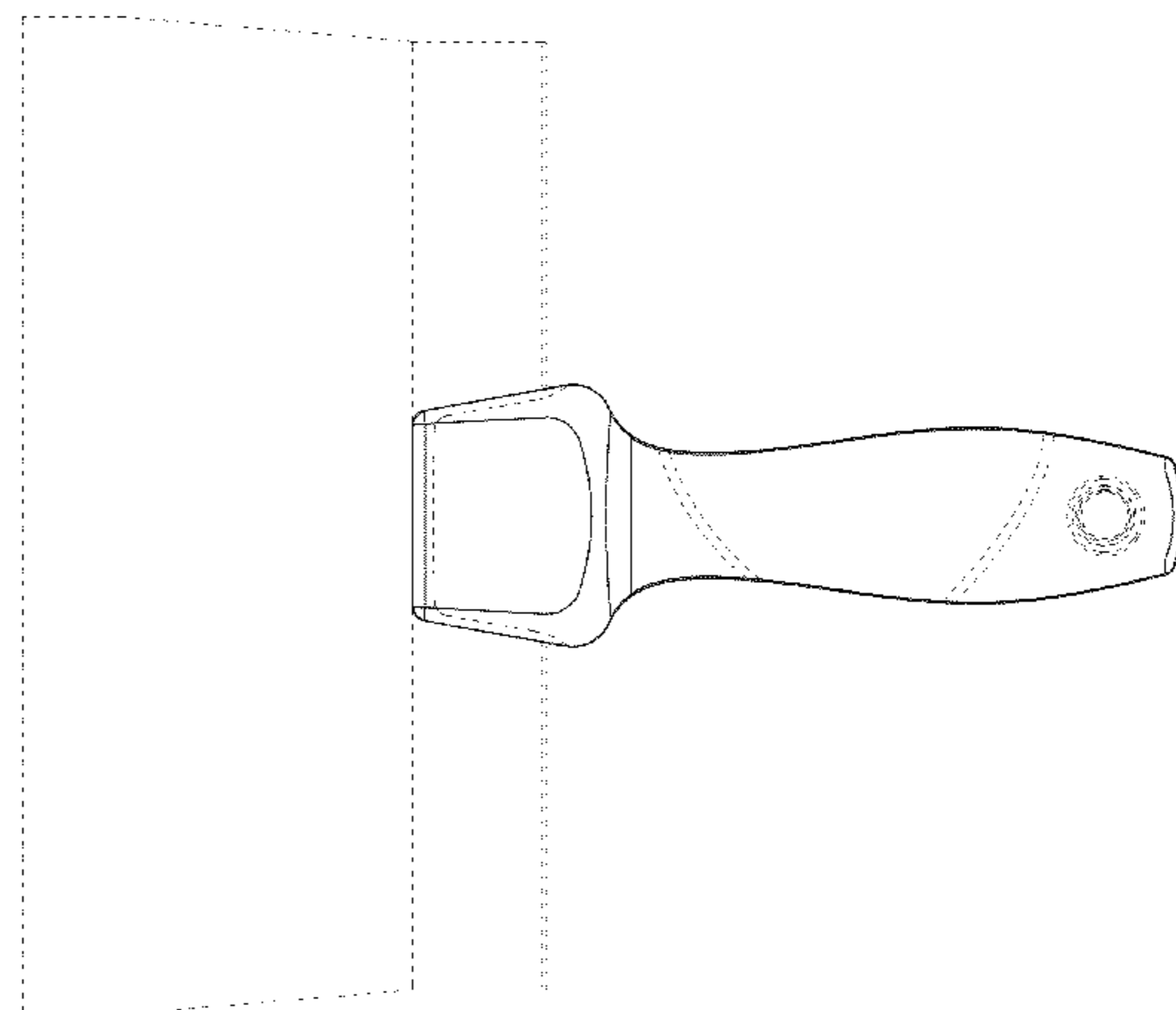
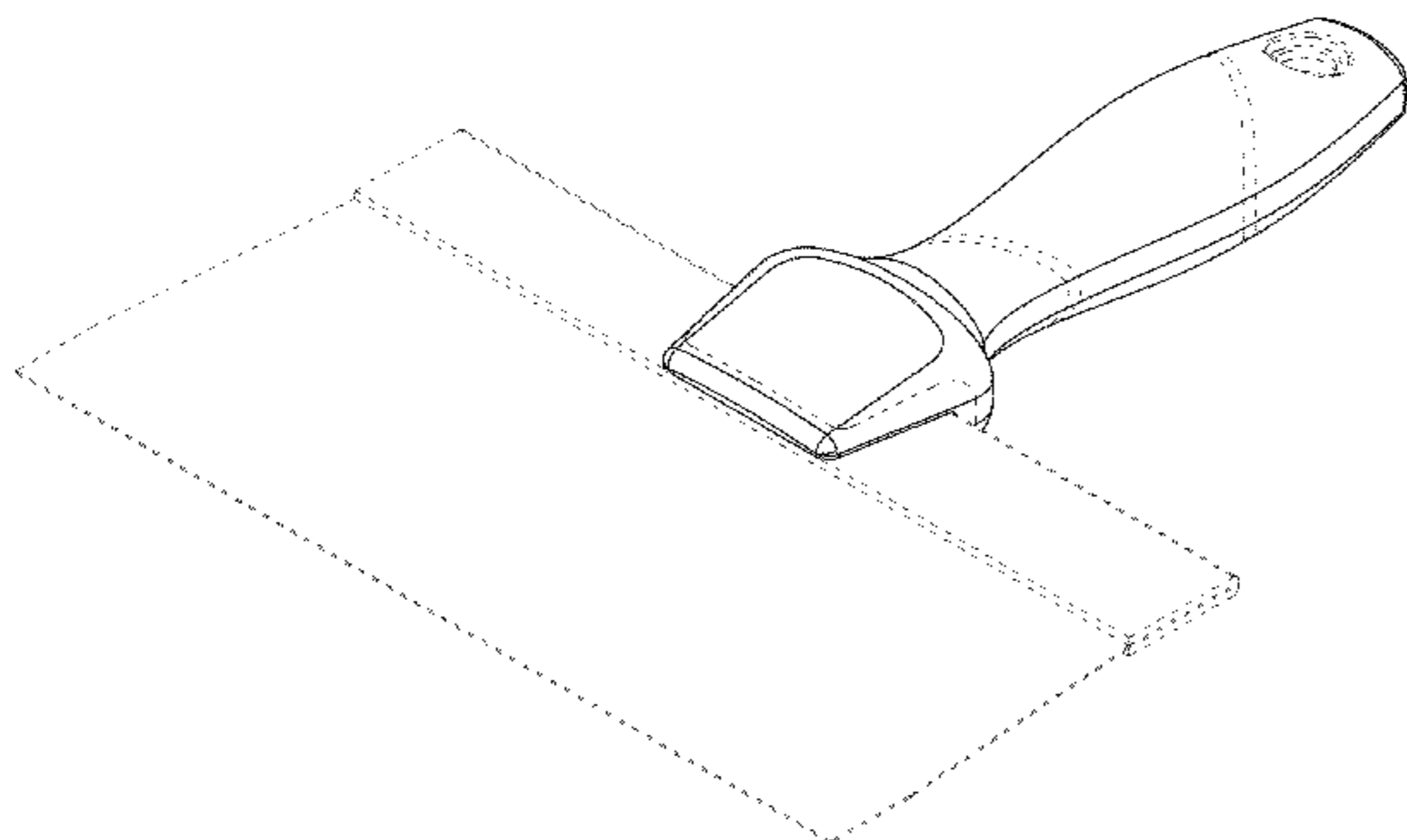
(57) **CLAIM**

The ornamental design for a taping knife, as shown and described.

DESCRIPTION

FIG. 1 is front perspective view of a taping knife;
FIG. 2 is a rear perspective view thereof;
FIG. 3 is a top view thereof;
FIG. 4 is a bottom view thereof;
FIG. 5 is a front view thereof;
FIG. 6 is a rear view thereof;
FIG. 7 is a left-side view thereof; and,
FIG. 8 is a right-side view thereof.
The broken lines shown represent unclaimed subject matter and form no part of the claimed design.

1 Claim, 6 Drawing Sheets



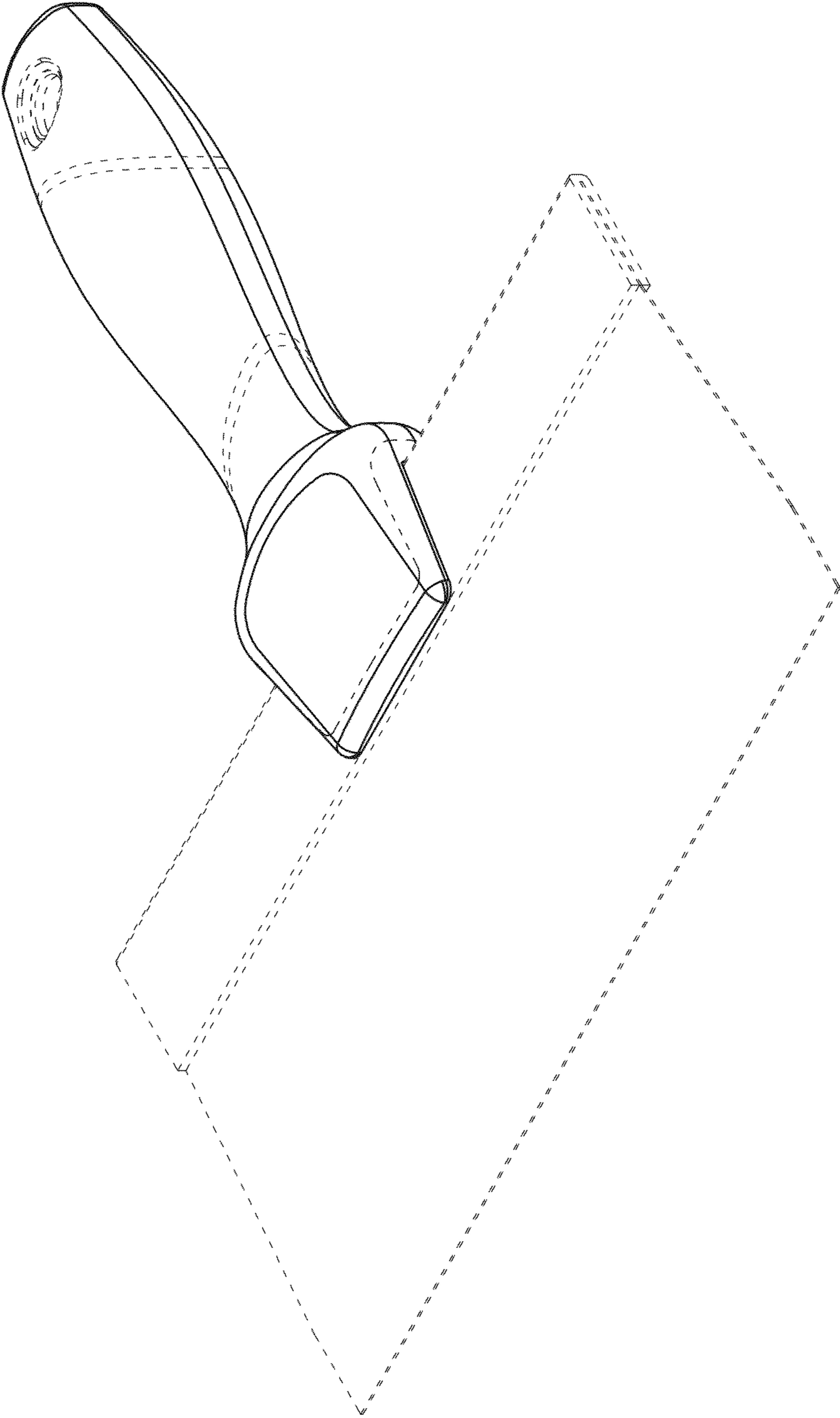


FIG. 1

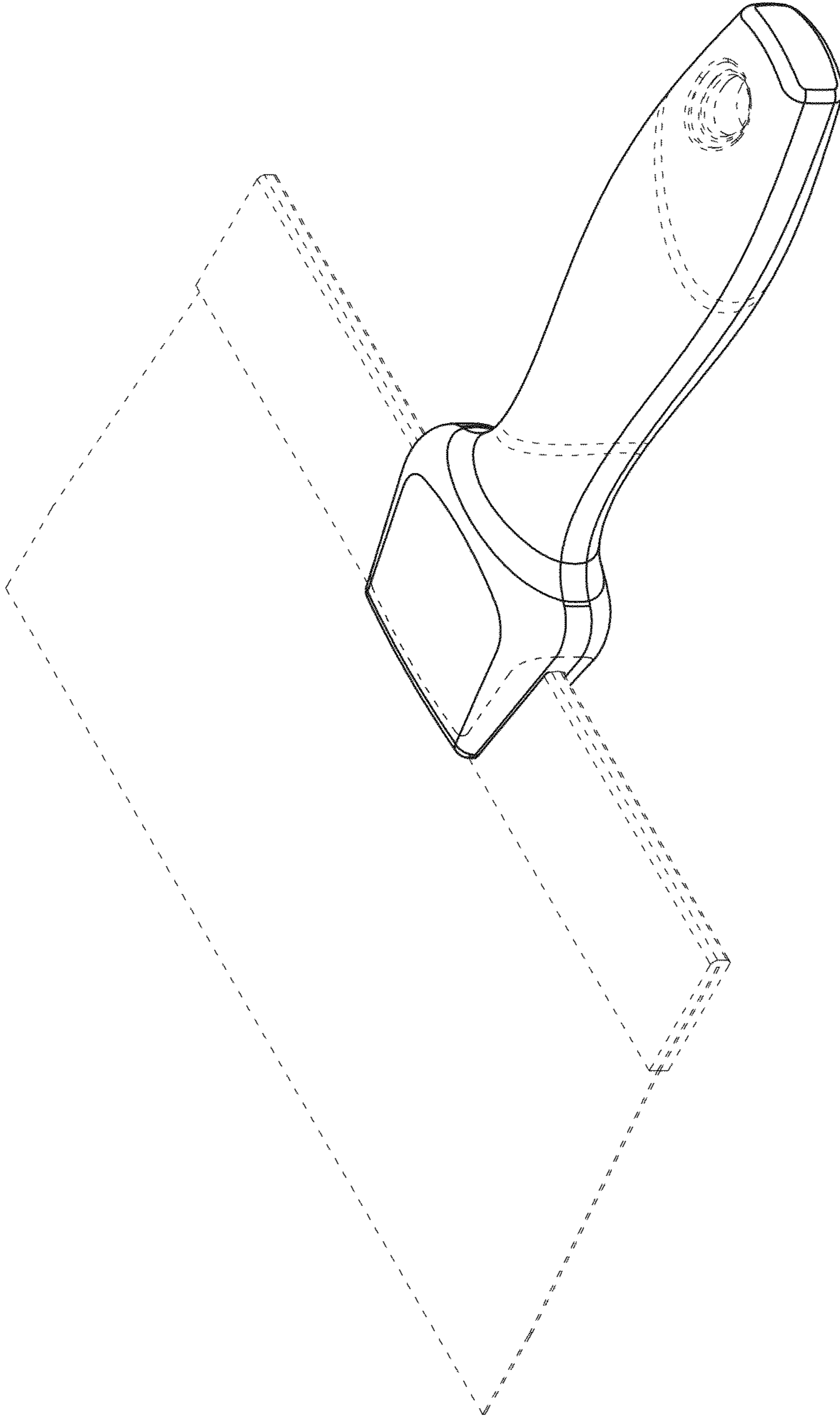


FIG. 2

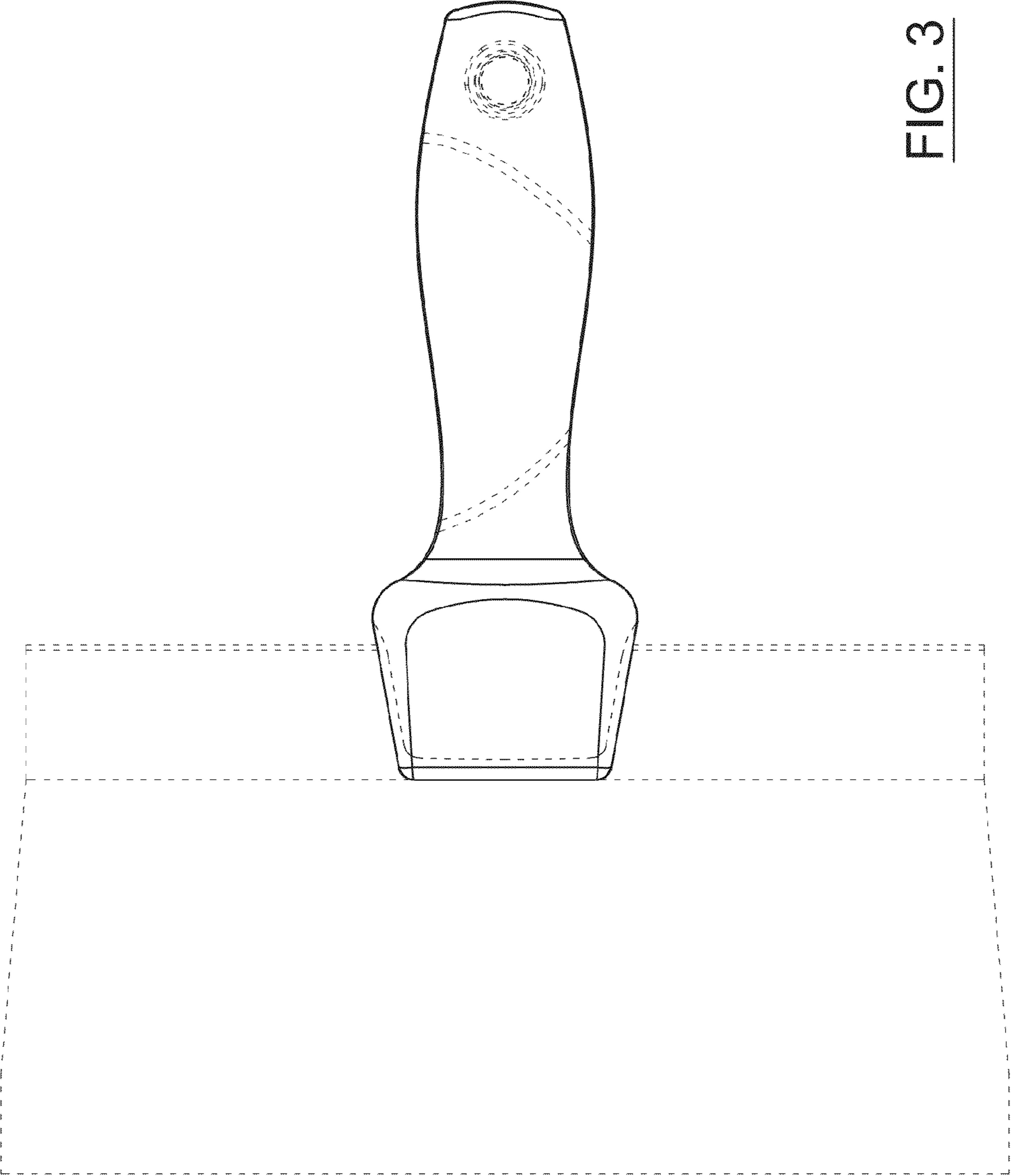


FIG. 3

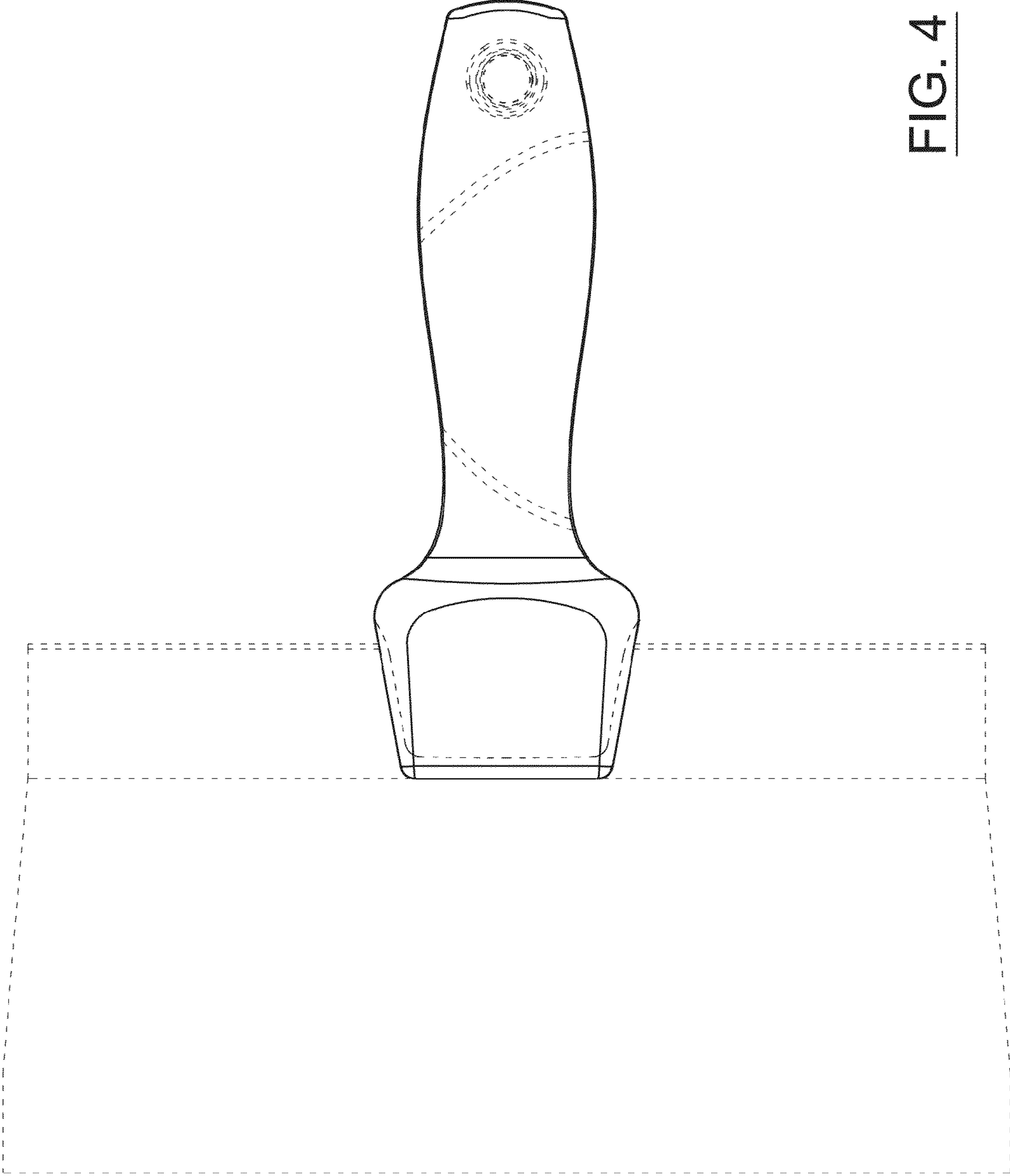


FIG. 4

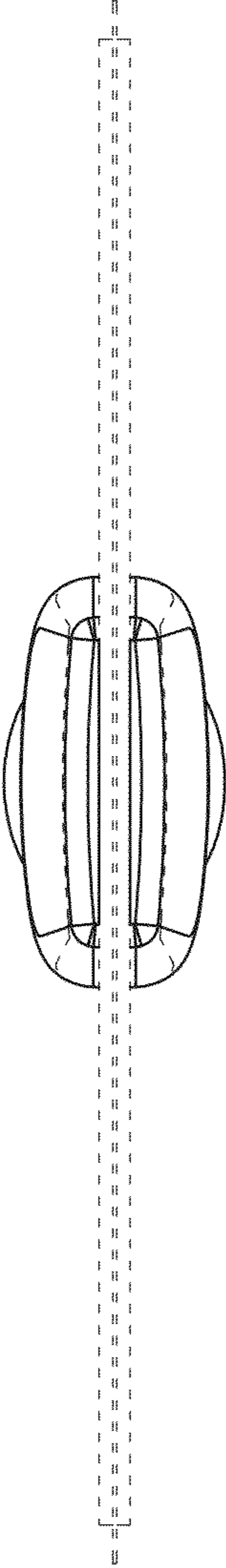


FIG. 5

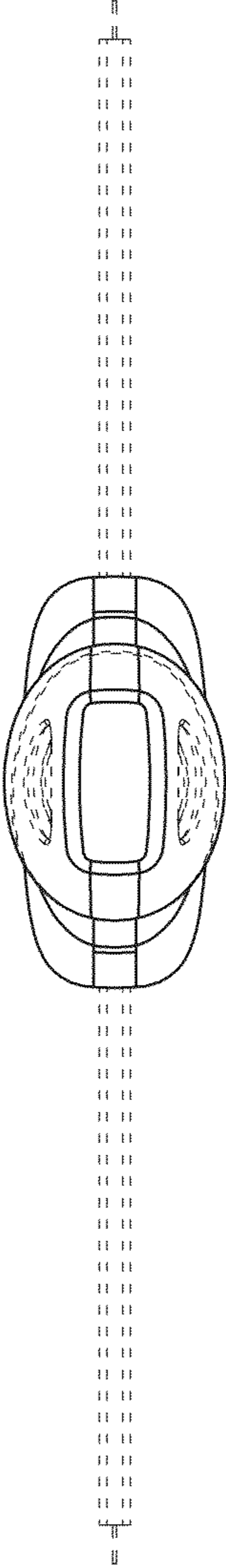


FIG. 6

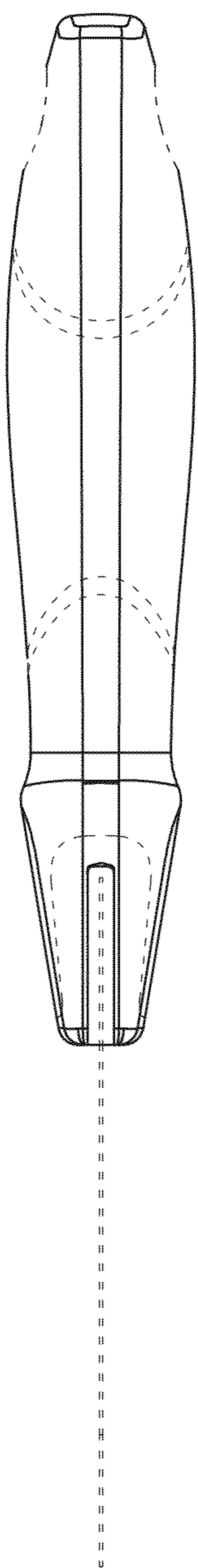


FIG. 7

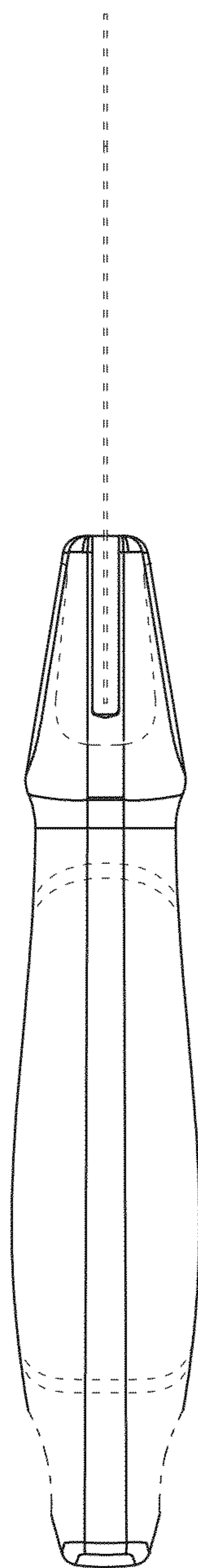


FIG. 8