



US00D742198S

(12) **United States Design Patent**  
**Kugimiya et al.**

(10) **Patent No.:** **US D742,198 S**  
(45) **Date of Patent:** **\*\* Nov. 3, 2015**

(54) **UTILITY KNIFE**

FOREIGN PATENT DOCUMENTS

(71) Applicant: **3M INNOVATIVE PROPERTIES COMPANY**, St. Paul, MN (US)  
(72) Inventors: **Michitomo Kugimiya**, Kanagawa (JP); **Yasuyuki Daigo**, Tokyo (JP); **Yo Suzuki**, Tokyo (JP)

CN	302658347	11/2013
JP	D1093220	10/2000
JP	D1209686	4/2004
JP	2008-229076	10/2008
JP	2010-264004	11/2010
JP	D1423033	8/2011

(73) Assignee: **3M INNOVATIVE PROPERTIES COMPANY**, St. Paul, MN (US)

OTHER PUBLICATIONS

The Sharp Tradition of Tung Hing Continues, P4, No. C2006, (JPO Reference No. HD26002751).  
Plus Stationery Corp., Homepage, (JPO Reference No. HJ19076560).

(\*\*) Term: **14 Years**

\* cited by examiner

(21) Appl. No.: **29/492,348**

(22) Filed: **May 30, 2014**

*Primary Examiner* — Phillip S Hyder

(51) **LOC (10) Cl.** ..... **08-03**

(74) *Attorney, Agent, or Firm* — Irina Hass

(52) **U.S. Cl.**

USPC ..... **D8/99**

(58) **Field of Classification Search**

USPC ..... D8/98, 99, 105, 107

CPC ..... B26B 5/001; B26B 5/003; B26B 11/00;

B26B 1/08

See application file for complete search history.

(57) **CLAIM**

The ornamental design for a utility knife, as shown and described.

**DESCRIPTION**

(56) **References Cited**

U.S. PATENT DOCUMENTS

D398,829 S *	9/1998	Okada	.....	D8/99
D412,822 S *	8/1999	Gilbert et al.	.....	D8/99
D442,054 S *	5/2001	Okada et al.	.....	D8/99
D459,189 S *	6/2002	Chong	.....	D8/99
D511,448 S	11/2005	Chen		
D517,894 S *	3/2006	Kondo et al.	.....	D8/99
D523,316 S *	6/2006	Kondo et al.	.....	D8/99
D699,092 S *	2/2014	Wagner	.....	D8/99
D699,540 S *	2/2014	Wagner	.....	D8/99
D699,541 S *	2/2014	Wagner	.....	D8/99
D708,499 S *	7/2014	Garavaglia et al.	.....	D8/99

FIG. 1 is a front perspective view showing the new design for a utility knife;

FIG. 2 is a front view thereof;

FIG. 3 is a top view thereof;

FIG. 4 is a bottom view thereof;

FIG. 5 is a left side view thereof;

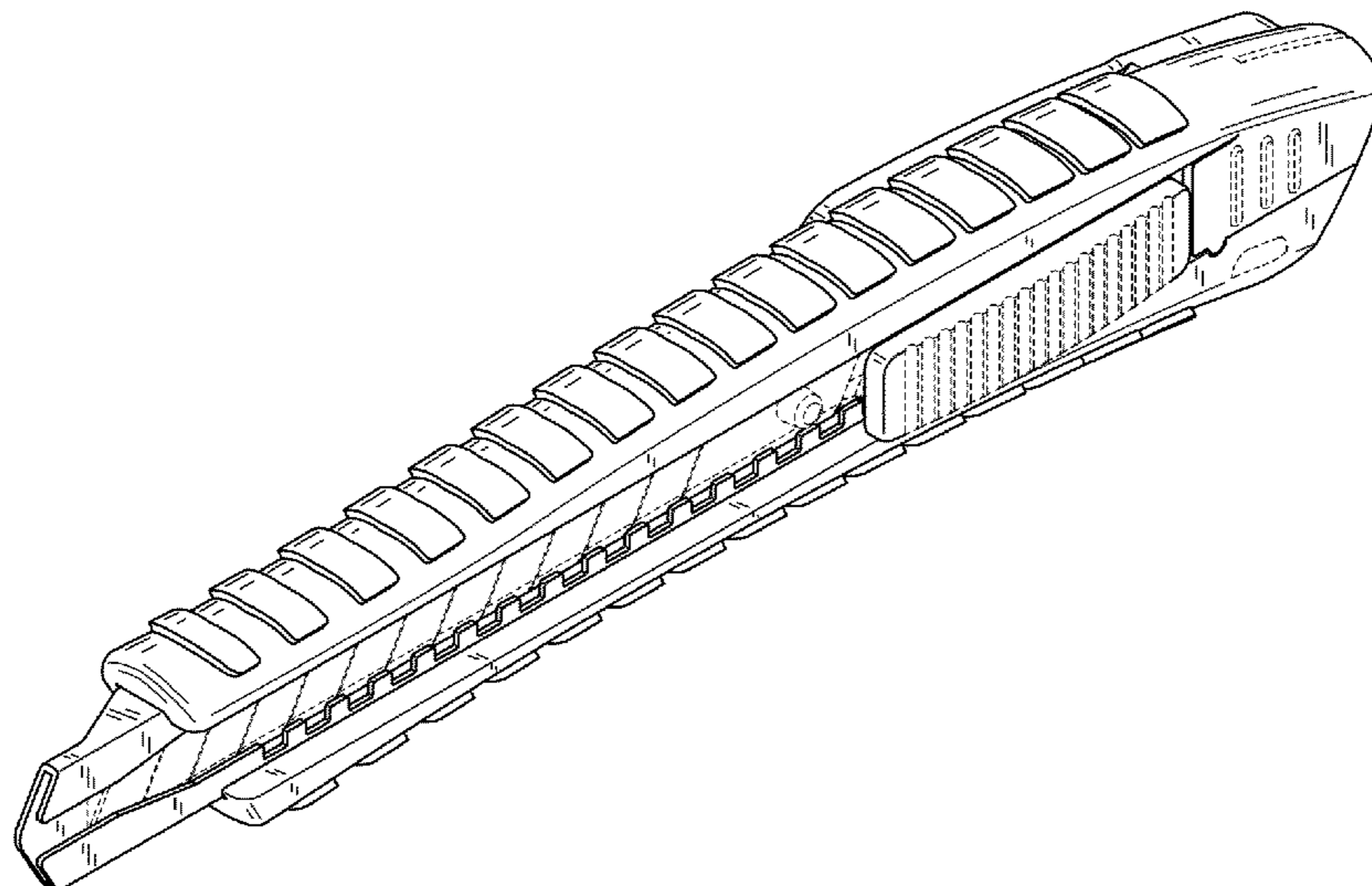
FIG. 6 is a right side view thereof;

FIG. 7 is a rear view thereof; and,

FIG. 8 is a rear perspective view thereof.

The portions of the utility knife shown in broken lines form no part of the claimed design.

**1 Claim, 3 Drawing Sheets**



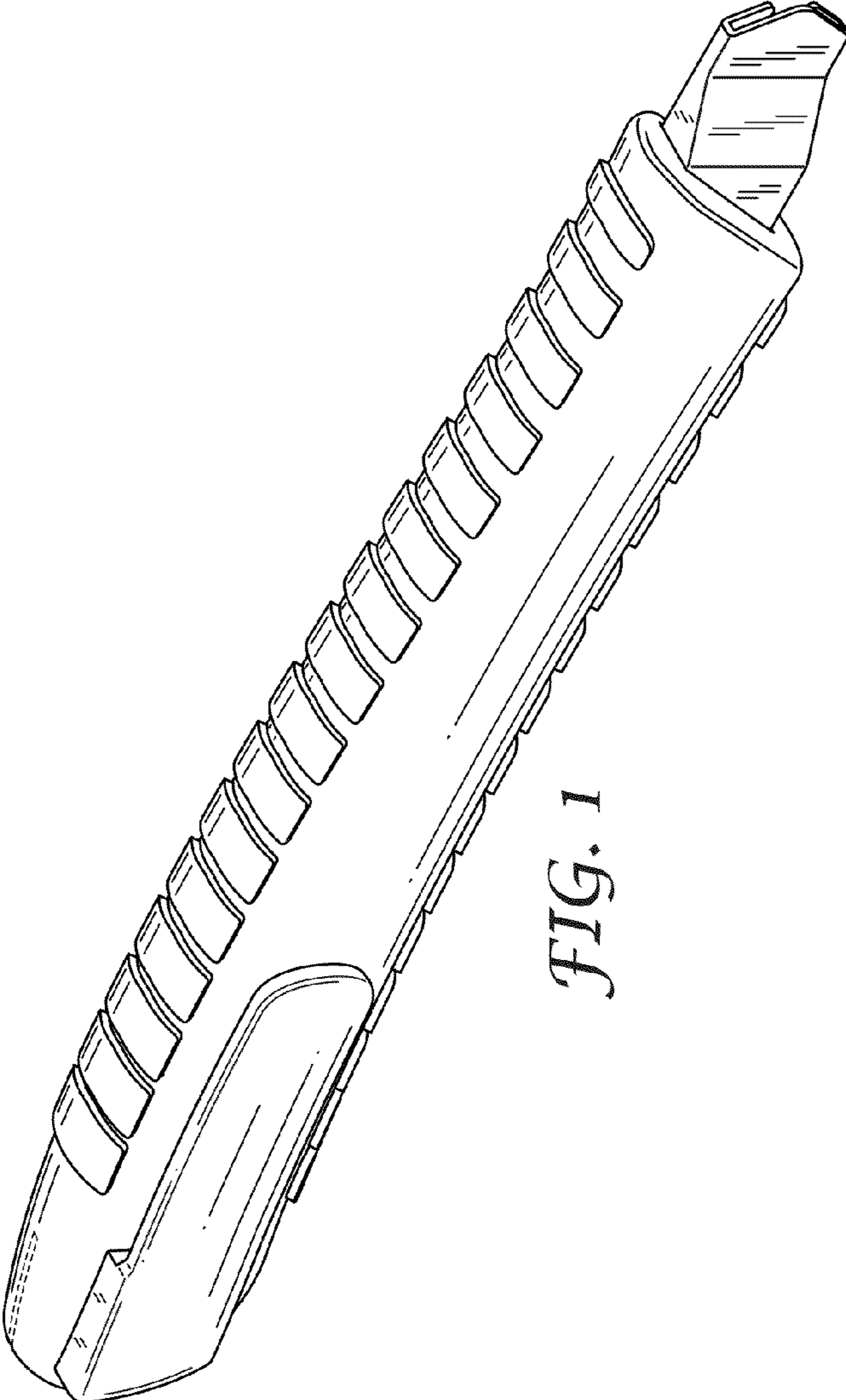


FIG. 1

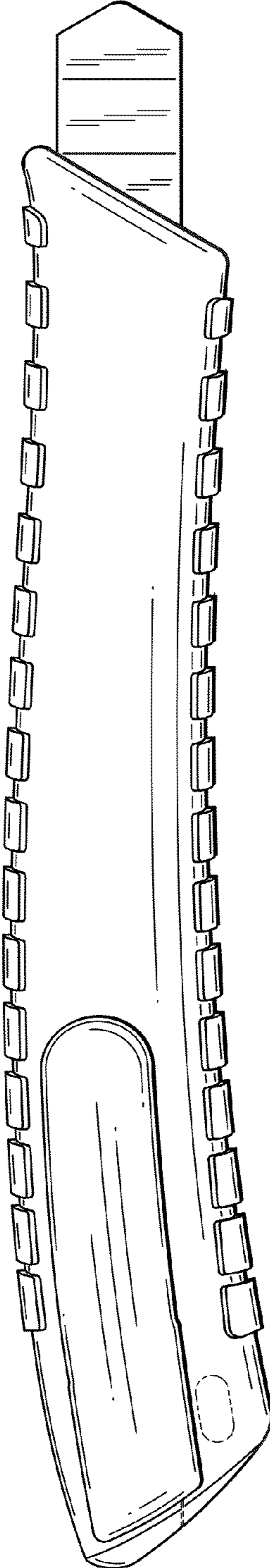


FIG. 2

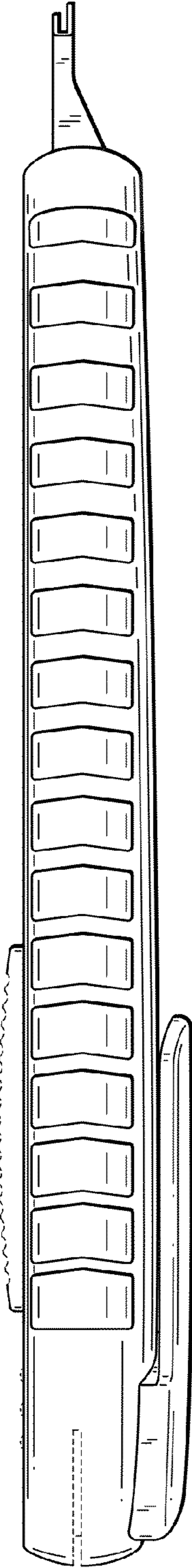


FIG. 3

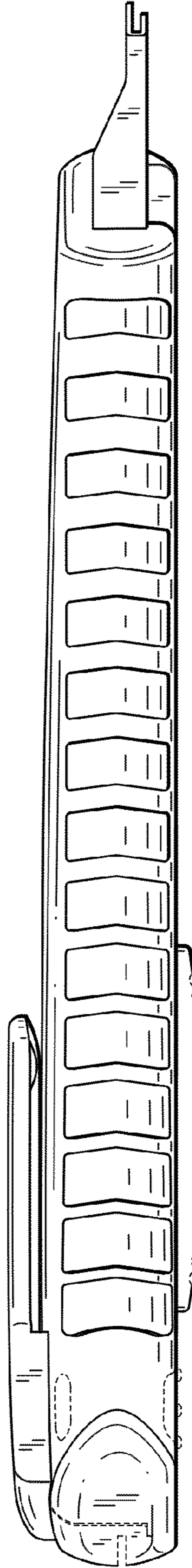


FIG. 4

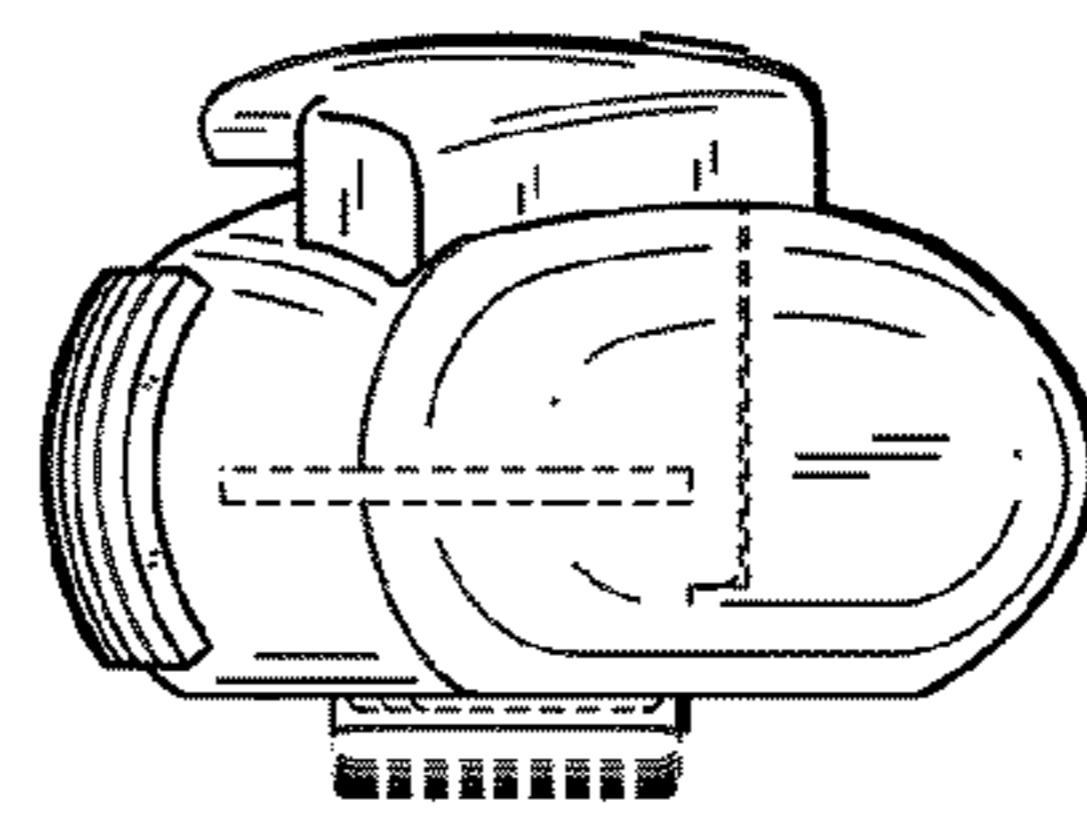


FIG. 5

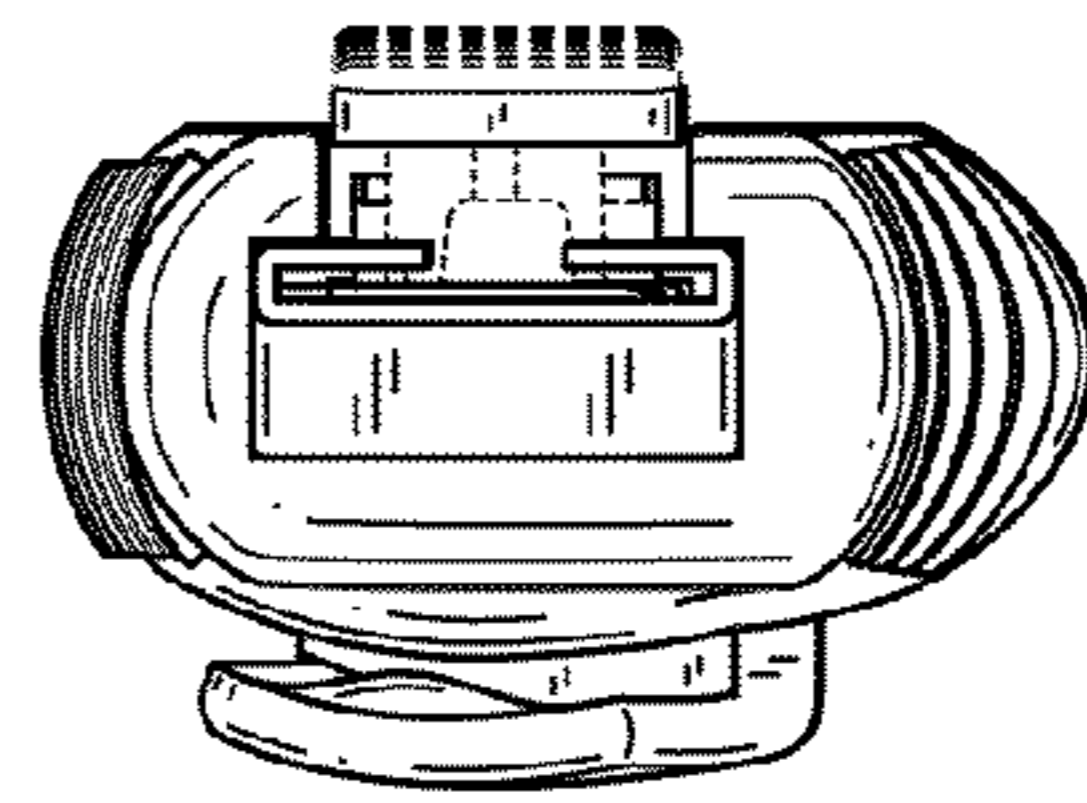


FIG. 6

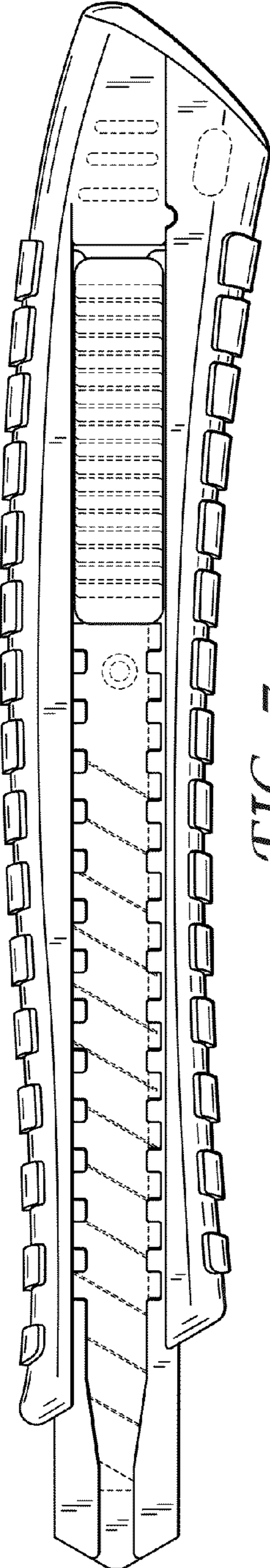


FIG. 7

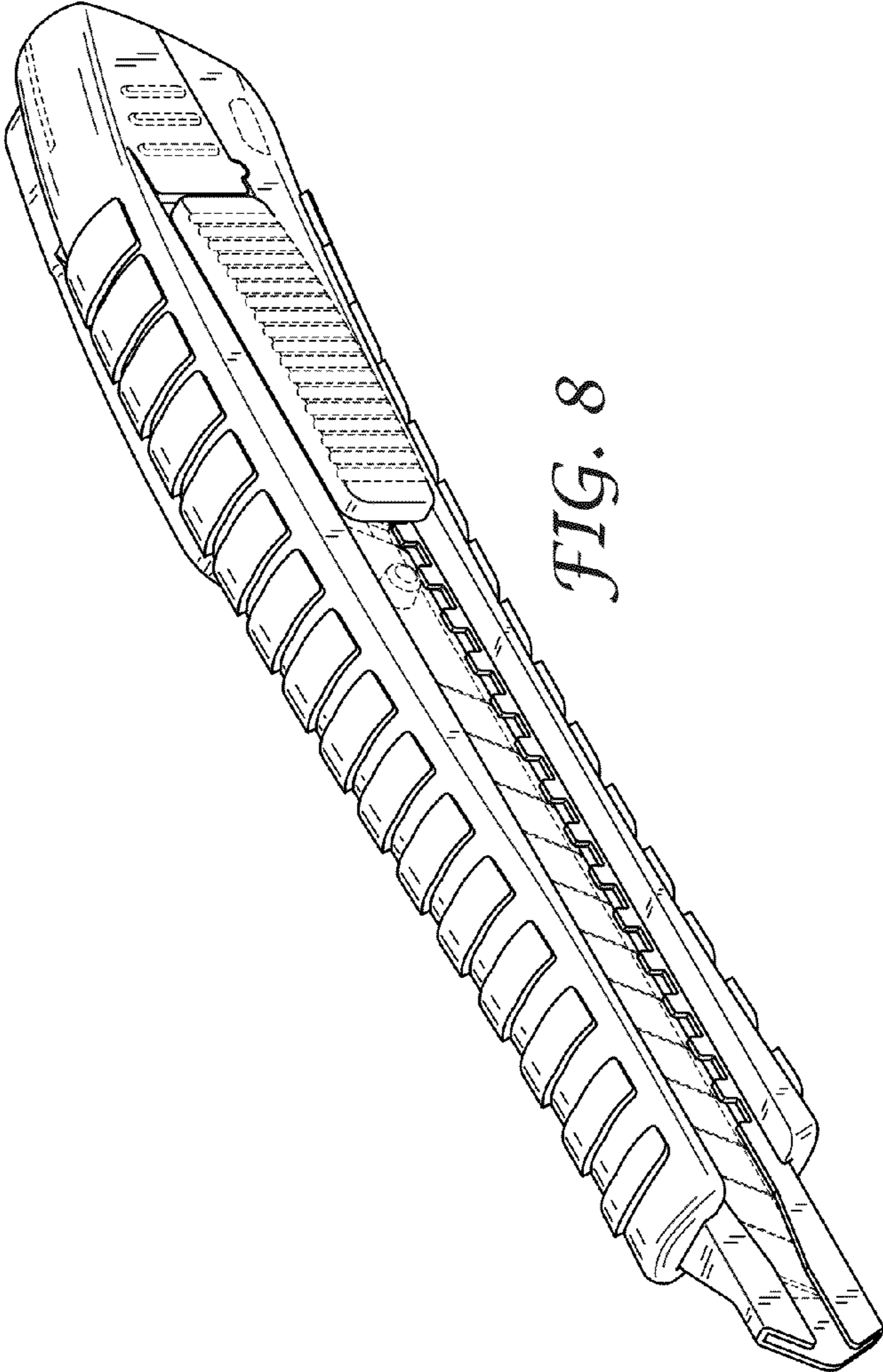


FIG. 8