



US00D742197S

(12) **United States Design Patent**
Cadden et al.

(10) **Patent No.:** **US D742,197 S**
(45) **Date of Patent:** **** Nov. 3, 2015**

(54) **BOARD CUTTER**

(76) Inventors: **Stephen Cadden**, Glasgow (GB);
Campbell Wallace, Glasgow (GB);
Christine Wallace, legal representative,
Glasgow (GB); **Ken Nelson**, Glasgow
(GB); **Manjit S. Lall**, Nottinghamshire
(GB); **Steve Chatters**, Nottinghamshire
(GB)

(**) Term: **14 Years**

(21) Appl. No.: **29/338,925**

(22) Filed: **Jun. 19, 2009**
(Under 37 CFR 1.47)

Related U.S. Application Data

(63) Continuation of application No. 29/304,088, filed on
Feb. 25, 2008, now abandoned, which is a continuation
of application No. 29/282,356, filed on Jul. 17, 2007,
now abandoned.

(30) **Foreign Application Priority Data**

Jan. 18, 2007 (EM) 000655758-0001

(51) **LOC (10) Cl.** **08-03**

(52) **U.S. Cl.**
USPC **D8/98**

(58) **Field of Classification Search**
USPC D8/14, 51, 98-99, 107; 30/363-364;
221/25-26, 30-32, 13, 1

See application file for complete search history.

(56) **References Cited**

U.S. PATENT DOCUMENTS

D317,571	S *	6/1991	Henriksson	D9/443
D335,252	S *	5/1993	DeJaynes	D8/98
D367,744	S *	3/1996	White	D32/61
D391,851	S *	3/1998	Joergensen	D9/434
5,853,101	A *	12/1998	Weinstein	220/284
6,206,233	B1 *	3/2001	Schulze	221/25
D444,361	S *	7/2001	Schulze	D8/51
D482,968	S *	12/2003	Henriksson	D9/435
D517,884	S *	3/2006	Ellingwood	D8/51
7,073,264	B2 *	7/2006	Votolato	30/294
D549,058	S *	8/2007	Shibata et al.	D8/14
D558,553	S *	1/2008	Feith	D8/98
D570,171	S *	6/2008	Benktzon et al.	D8/51
D582,240	S *	12/2008	Benktzon et al.	D8/98
D606,860	S *	12/2009	Hill	D9/434

* cited by examiner

Primary Examiner — Philip S Hyder

Assistant Examiner — Roselynn Cody

(74) *Attorney, Agent, or Firm* — GrayRobinson, P.A.;
Michael J. Colitz, III

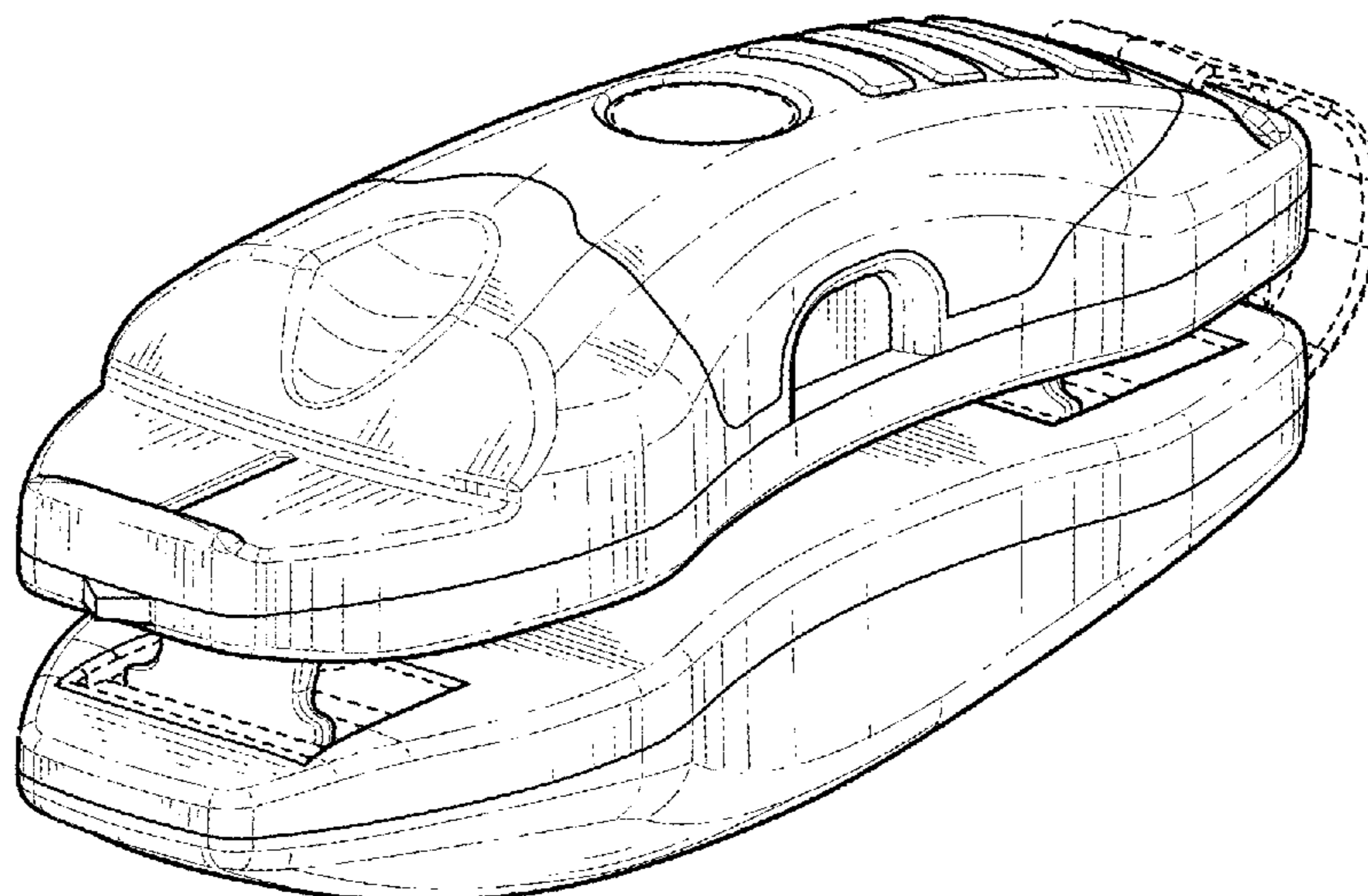
(57) **CLAIM**

The ornamental design for a board cutter, as shown and
described.

DESCRIPTION

FIG. 1 is a perspective view of a board cutter;
FIG. 2 is a front view of the board cutter of FIG. 1;
FIG. 3 is a back view of the board cutter of FIG. 1;
FIG. 4 is a top view of the board cutter of FIG. 1;
FIG. 5 is a bottom view of the board cutter of FIG. 1;
FIG. 6 is a left elevation view of the board cutter of FIG. 1;
and,
FIG. 7 is a right elevation view of the board cutter of FIG. 1.
The broken lines in the drawings illustrate features of the
board cutter that form no part of the claim.

1 Claim, 4 Drawing Sheets



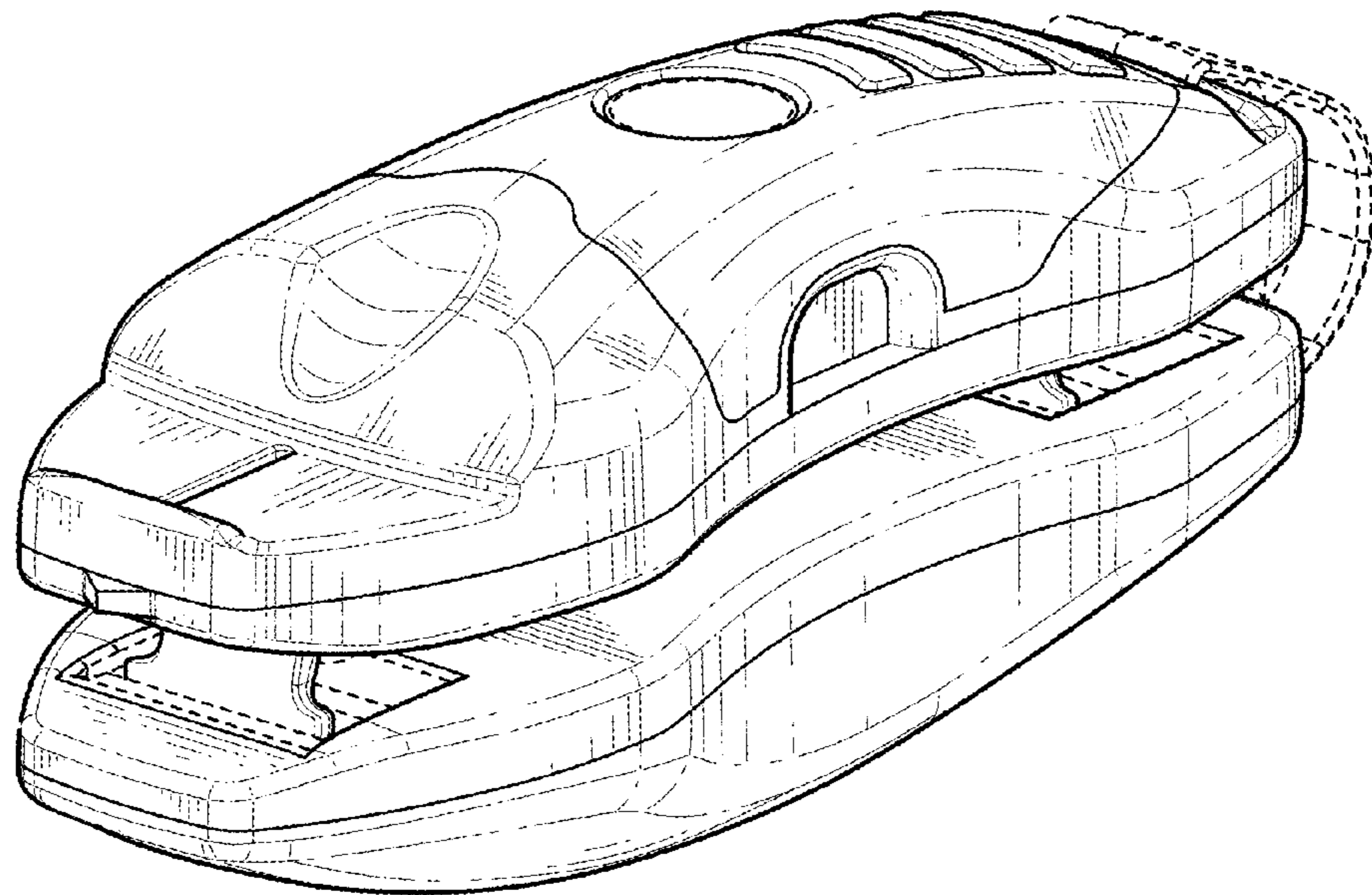


FIG. 1

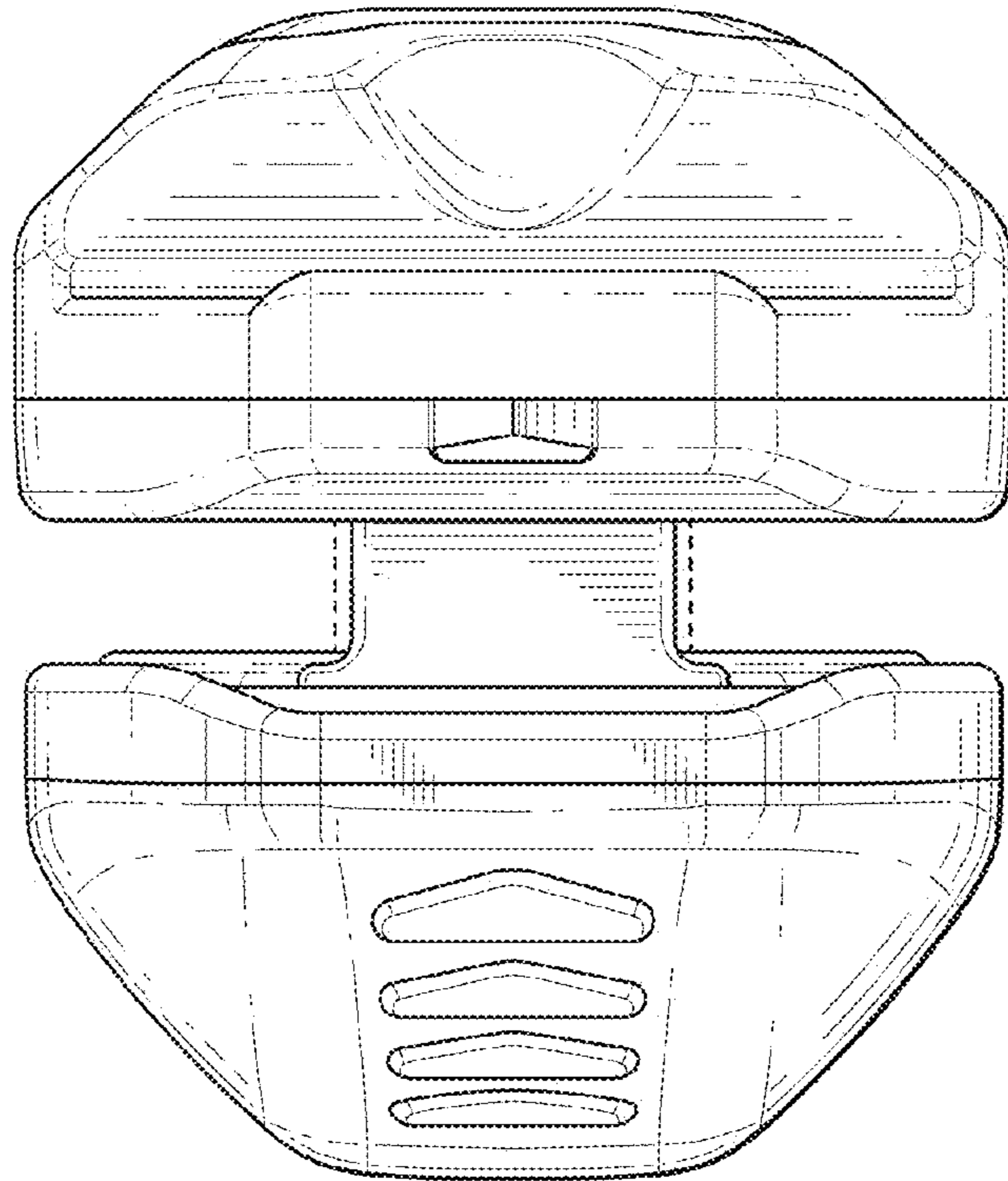


FIG. 2

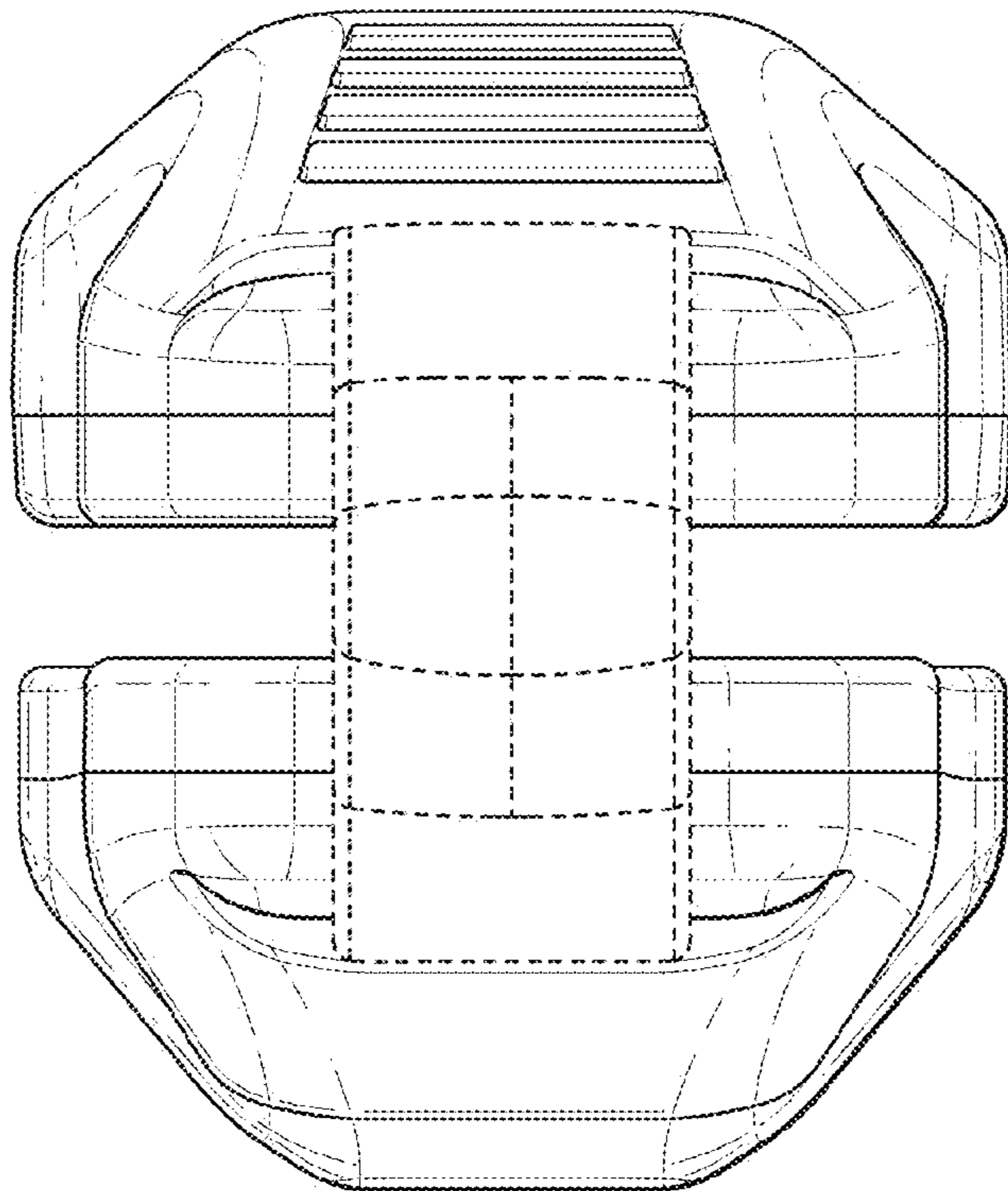


FIG. 3

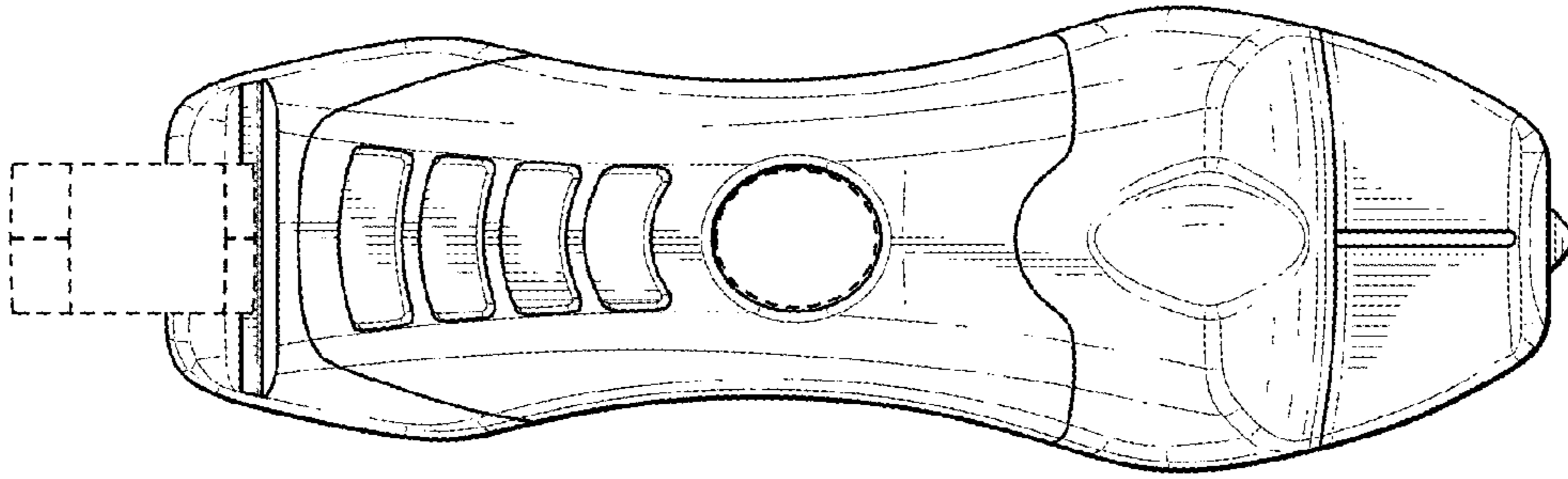


FIG. 4

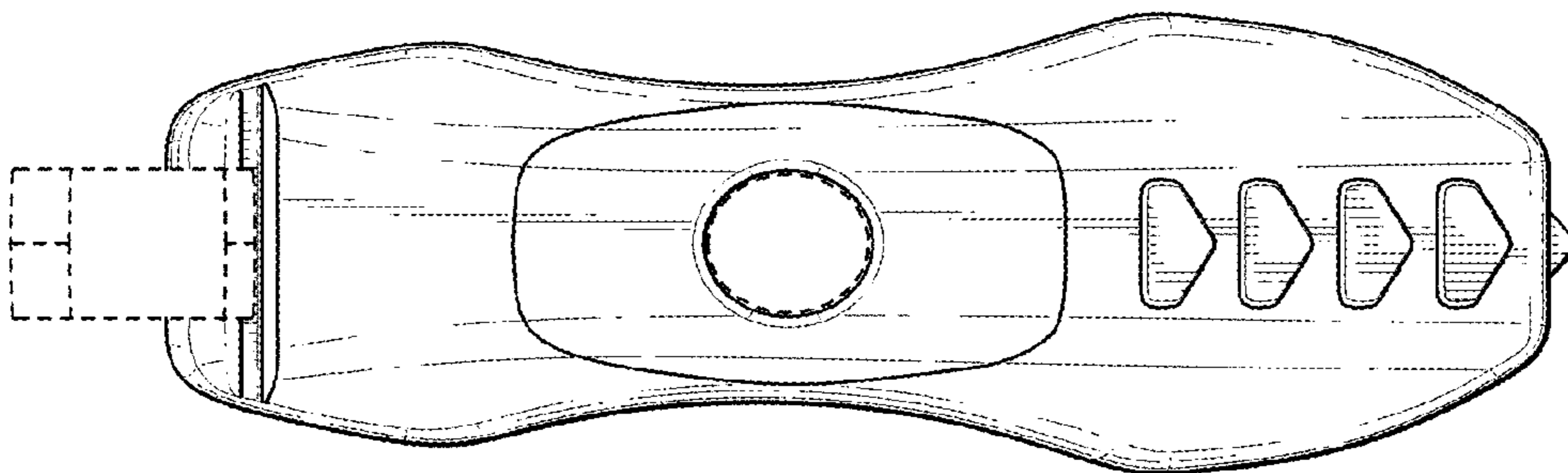


FIG. 5

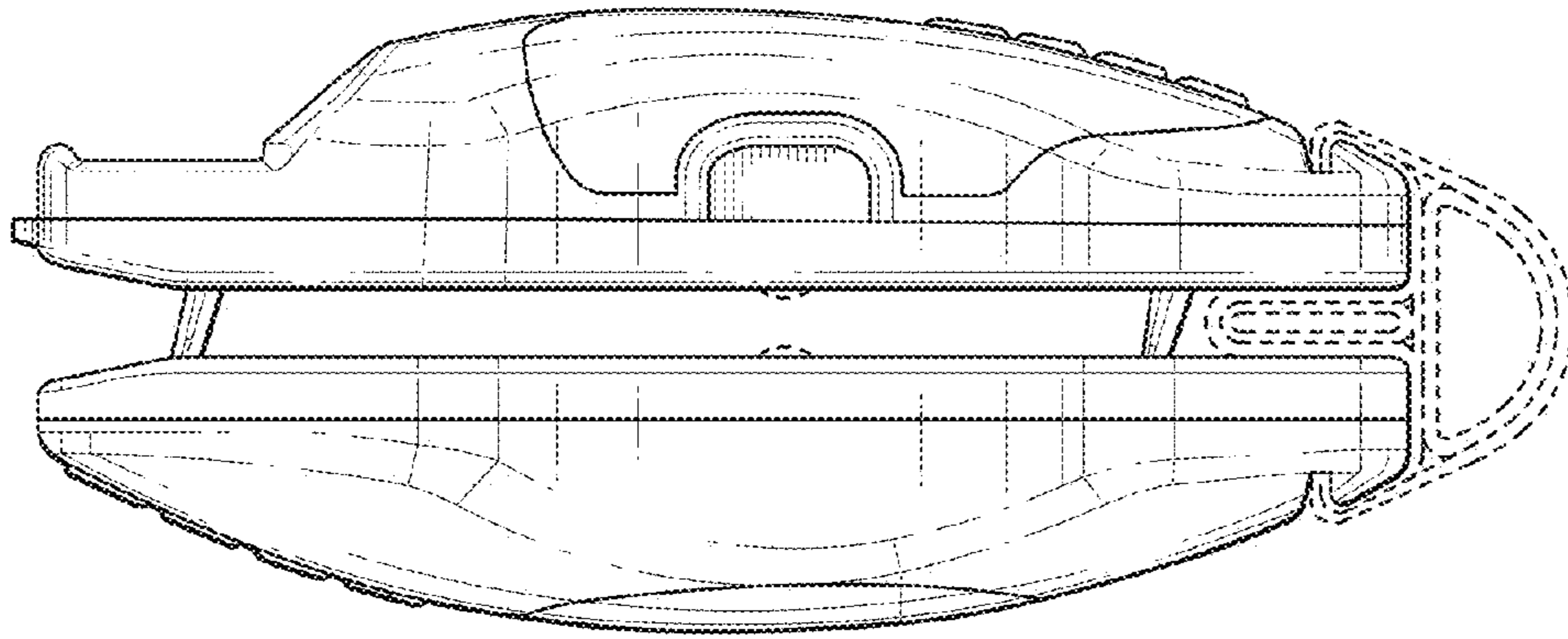


FIG. 6

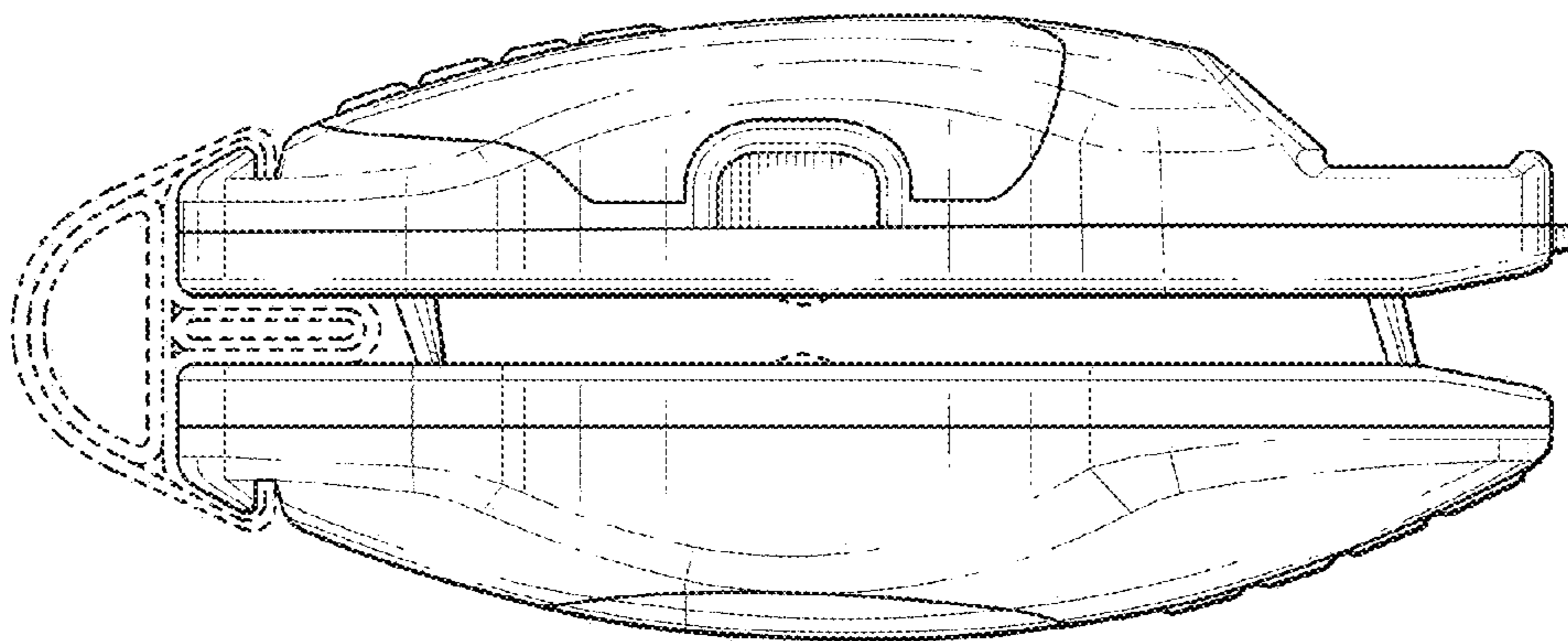


FIG. 7