

US00D742191S

(12) **United States Design Patent**
Huggins

(10) **Patent No.:** **US D742,191 S**

(45) **Date of Patent:** **** Nov. 3, 2015**

(54) **UNIVERSAL WRENCH FOR T-HANDLE FASTENERS**

7,107,880 B2 * 9/2006 Kitchen et al. 81/176.1
D530,167 S * 10/2006 Tripp, Jr. D8/29
D635,420 S * 4/2011 Fischer D8/28

(71) Applicant: **John Huggins**, Los Angeles, CA (US)

* cited by examiner

(72) Inventor: **John Huggins**, Los Angeles, CA (US)

Primary Examiner — Randall Gholson

(**) Term: **14 Years**

(74) *Attorney, Agent, or Firm* — Jonathan Jaech; Snell & Wilmer L.L.P.

(21) Appl. No.: **29/509,759**

(22) Filed: **Nov. 20, 2014**

(51) **LOC (10) Cl.** **08-05**

(52) **U.S. Cl.**
USPC **D8/27**

(58) **Field of Classification Search**
USPC D8/17, 18, 19, 21, 28, 105; 81/119,
81/120, 121.1, 124.3, 124.4, 125.1, 176.1,
81/176.2, 186
CPC B25B 13/00
See application file for complete search history.

(57) **CLAIM**

The ornamental design for a universal wrench for T-handle fasteners, as shown and described.

DESCRIPTION

FIG. 1 is a perspective view of a universal wrench for T-handle fasteners. The wrench may include an array of holes in the handle shown in dashed line, which are not part of the design.

FIG. 2 is a top plan view of the wrench shown in FIG. 1. FIG. 3 is a bottom plan view of the wrench shown in FIG. 1. FIG. 4 is a handle-end view of the wrench shown in FIG. 1. FIG. 5 is a head-end view of the wrench shown in FIG. 1; and, FIG. 6 is an elevation view of the wrench of FIG. 1. The wrench is symmetrical around a plane parallel to the viewing plane passing through the wrench's longitudinal central axis, as apparent in FIGS. 2-3.

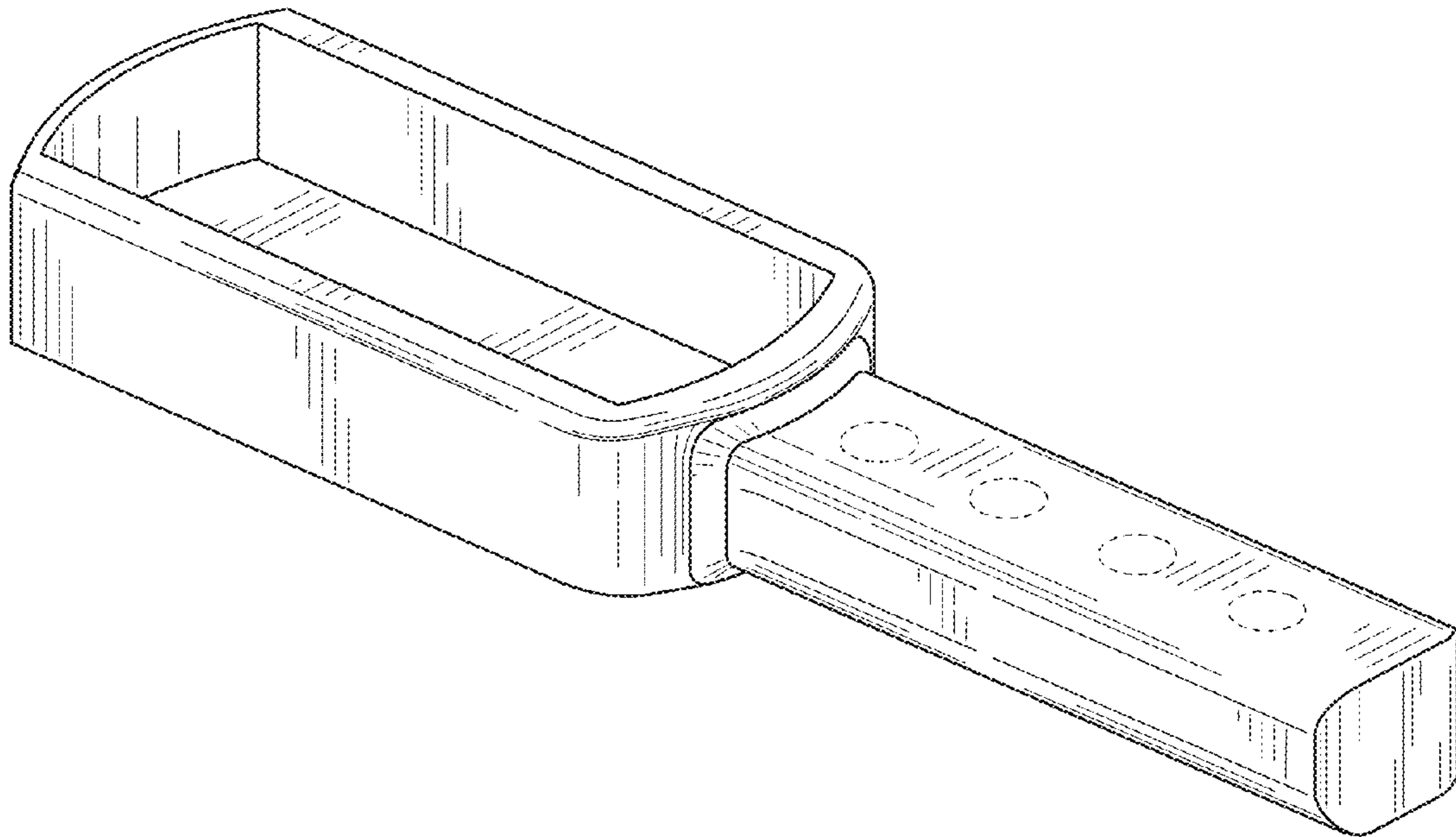
The broken lines depict portions of the universal wrench for T-handle fasteners that form no part of the claimed design.

(56) **References Cited**

U.S. PATENT DOCUMENTS

1,855,586 A * 4/1932 Nordstrom 251/291
4,476,596 A * 10/1984 Fortune 7/138
6,062,110 A * 5/2000 Julio et al. 81/124.2
6,276,240 B1 * 8/2001 Blacklock 81/119
D467,480 S * 12/2002 Kelleghan D8/40
D477,197 S * 7/2003 Yates D8/21
D515,372 S * 2/2006 Marston D8/21

1 Claim, 4 Drawing Sheets



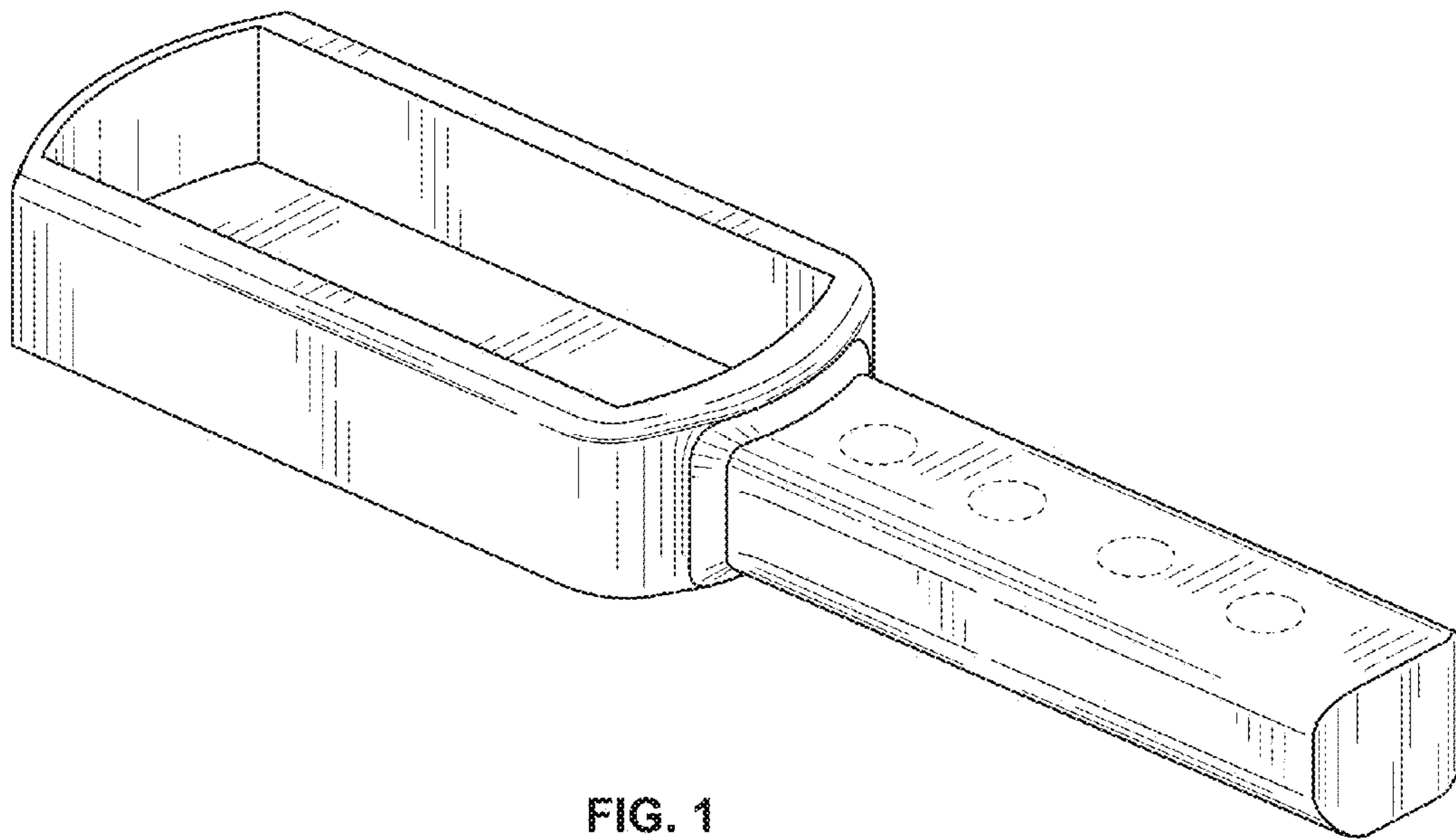


FIG. 1

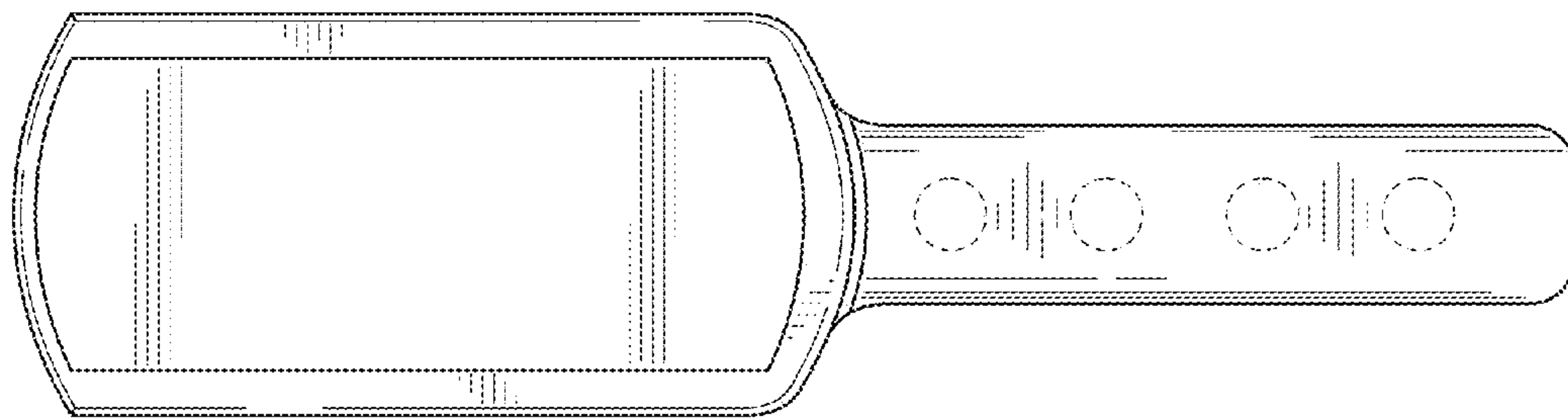


FIG. 2

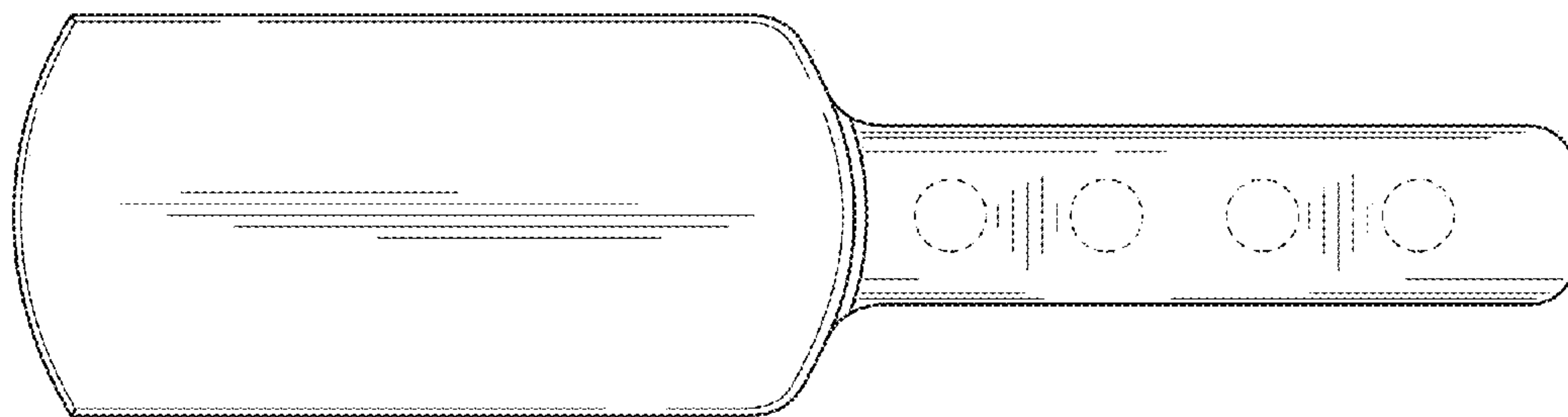


FIG. 3

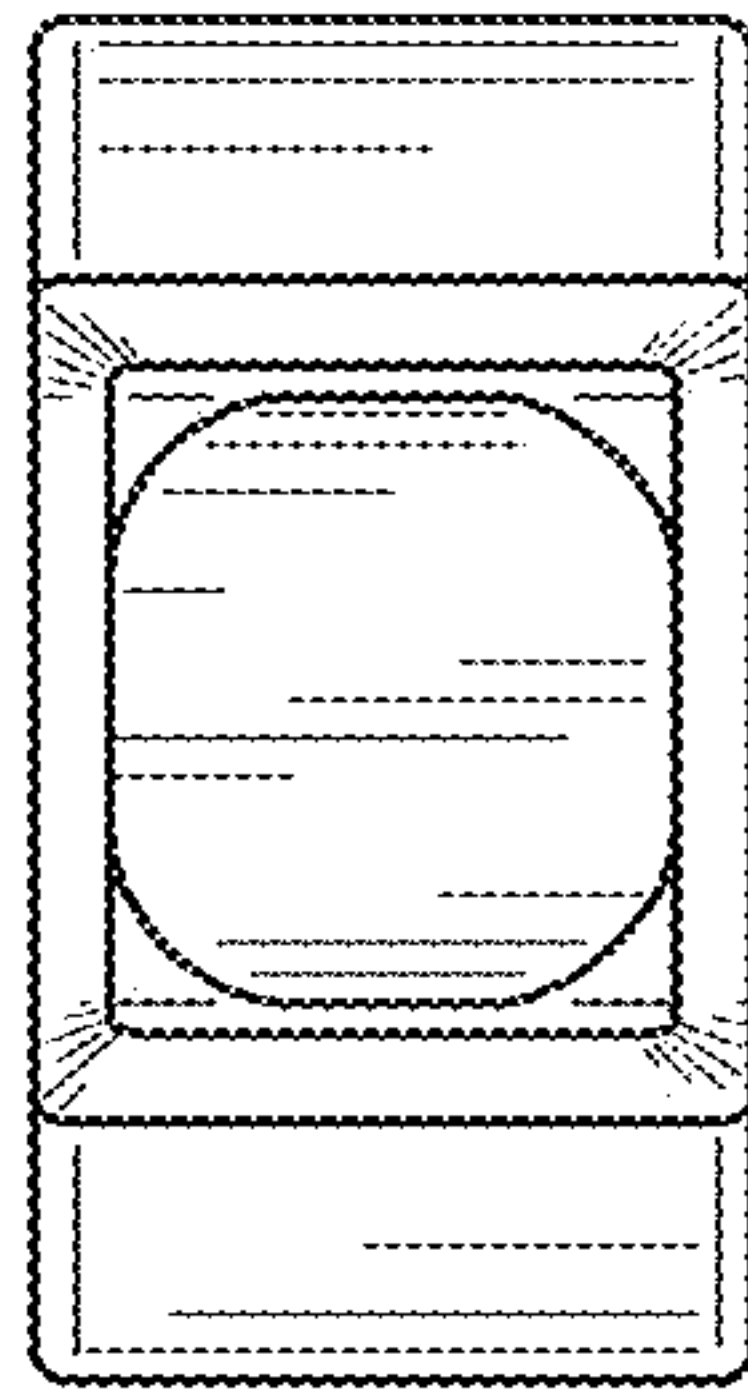


FIG. 4

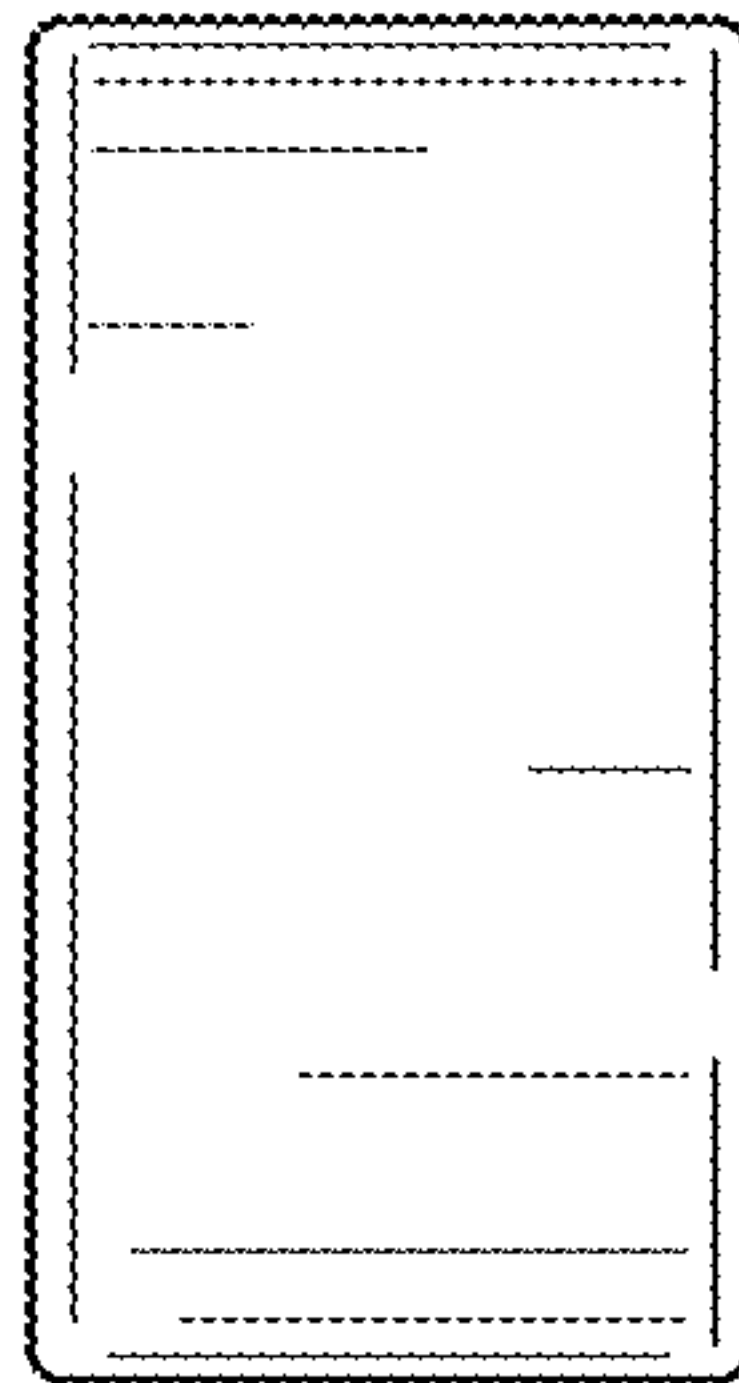


FIG. 5

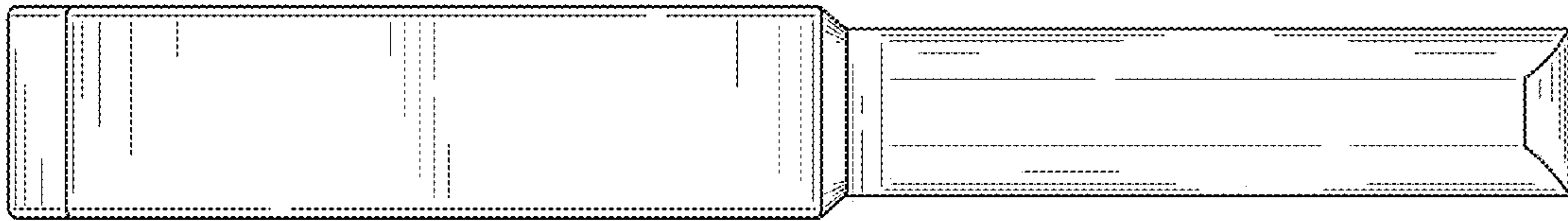


FIG. 6