



US00D742190S

(12) **United States Design Patent**
Cockrell

(10) **Patent No.:** **US D742,190 S**

(45) **Date of Patent:** **** Nov. 3, 2015**

(54) **TANDEM TRAILER TOOL**

(71) Applicant: **Timothy Scott Cockrell**, Olive Branch,
MS (US)

(72) Inventor: **Timothy Scott Cockrell**, Olive Branch,
MS (US)

(**) Term: **14 Years**

(21) Appl. No.: **29/494,864**

(22) Filed: **Jun. 25, 2014**

(51) **LOC (10) Cl.** **08-05**

(52) **U.S. Cl.**
USPC **D8/14**

(58) **Field of Classification Search**
USPC D8/14, 21, 75, 1; 280/149.2
CPC ... B62D 53/06; B62D 53/0814; B60G 17/005
See application file for complete search history.

(56) **References Cited**

U.S. PATENT DOCUMENTS

4,209,903	A *	7/1980	Owens	30/302
4,836,065	A *	6/1989	Setliff	81/124.2
D311,315	S *	10/1990	Duke	D8/25
D329,969	S *	10/1992	Kemp	D8/21
D357,617	S *	4/1995	Morrisette	D8/21
D385,285	S *	10/1997	Brown	D15/5

6,354,642	B1 *	3/2002	Haggerty	294/210
6,439,343	B1 *	8/2002	Jorges et al.	182/92
6,702,310	B2 *	3/2004	Browning	280/149.2
D513,465	S *	1/2006	Carey	D8/14
D661,561	S *	6/2012	Stinson	D8/29
8,534,688	B1 *	9/2013	Dunn	280/149.2
D717,141	S *	11/2014	Kittelburger	D8/14

OTHER PUBLICATIONS

http://www.dieselboss.com/tandem_stopper.htm.
http://www.trailerslidestop.com/tssvsf/catalog/product_info.php?products_id=29.

* cited by examiner

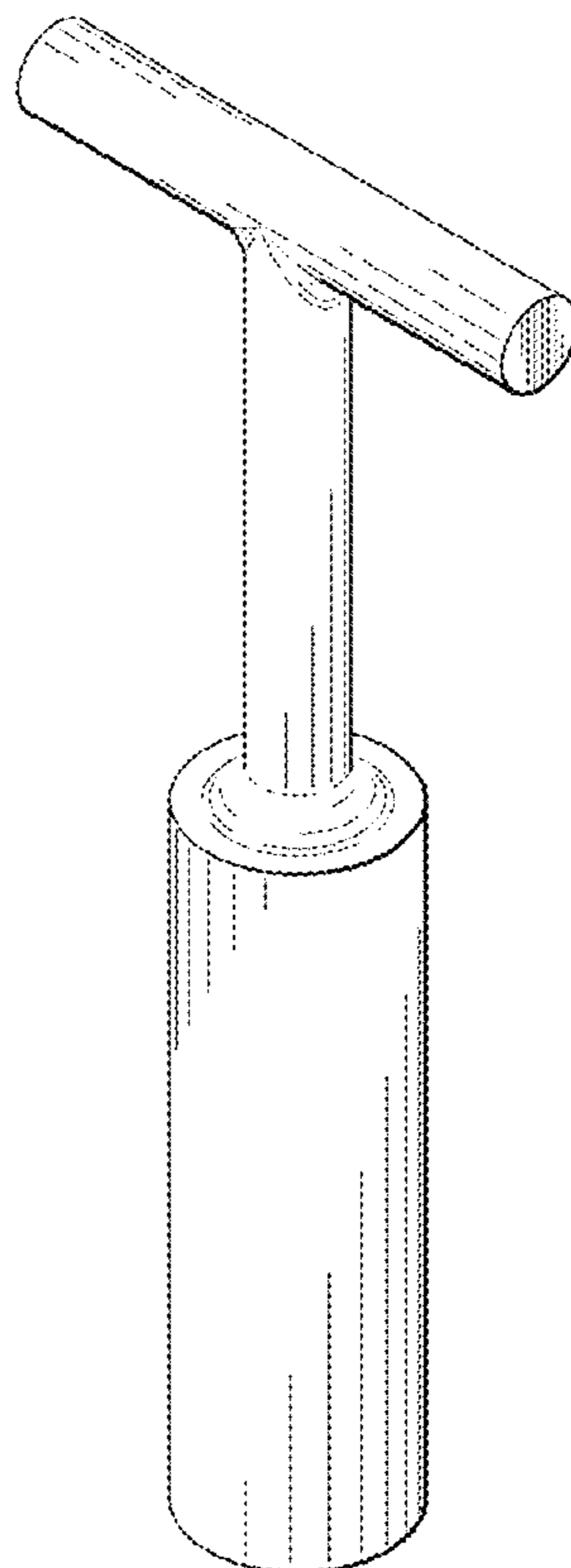
Primary Examiner — Phillip S Hyder
(74) *Attorney, Agent, or Firm* — Harris, Shelton, Hanover & Walsh; Susa B. Fentress

(57) **CLAIM**
The ornamental design for a tandem trailer tool, as shown and described.

DESCRIPTION

FIG. 1 is an isomeric open view showing my new design;
FIG. 2 is a front view showing my new design;
FIG. 3 is a side elevational view showing my new design;
FIG. 4 is a top view showing my new design; and,
FIG. 5 is a bottom view showing my new design.

1 Claim, 4 Drawing Sheets



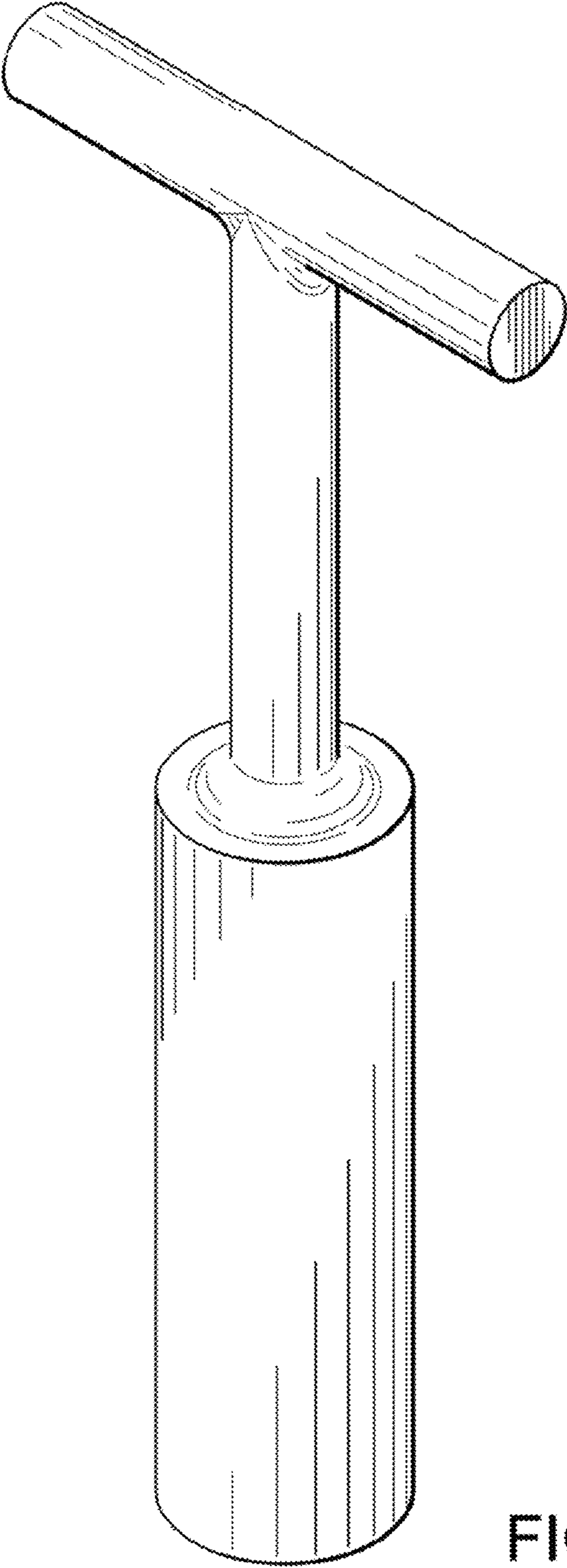


FIG. 1

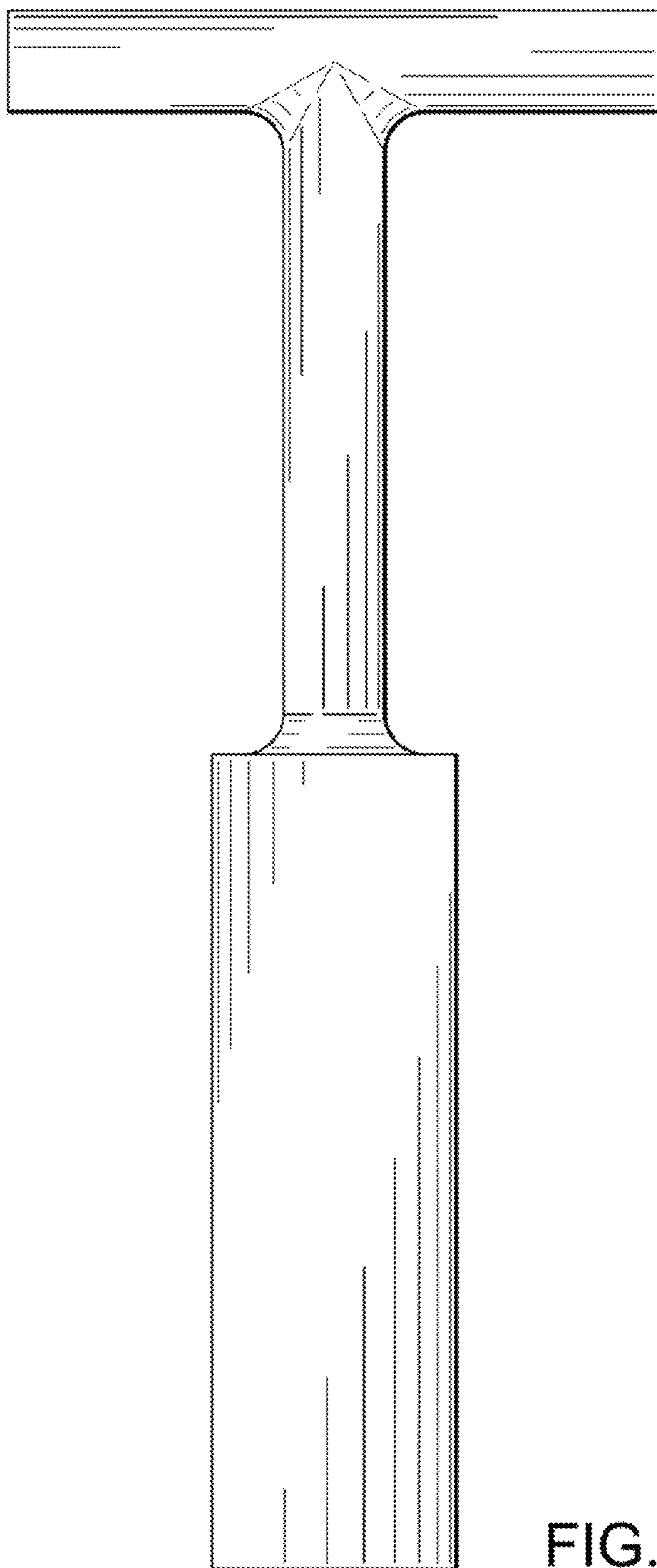


FIG. 2

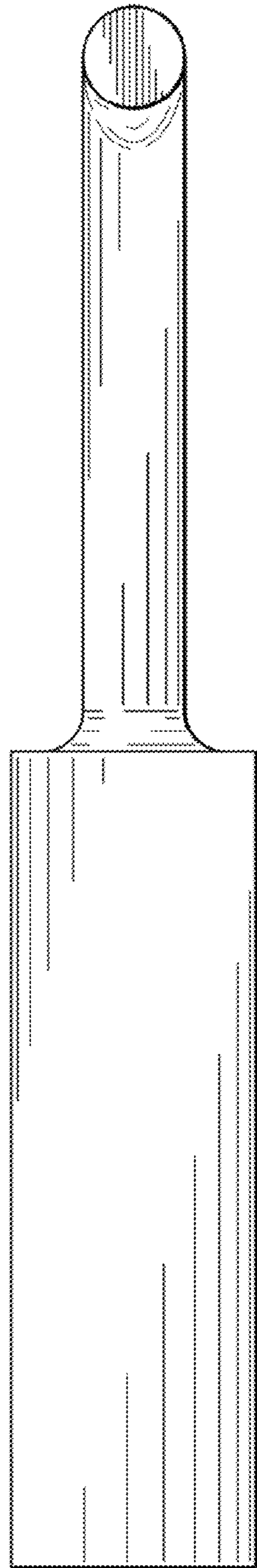


FIG. 3

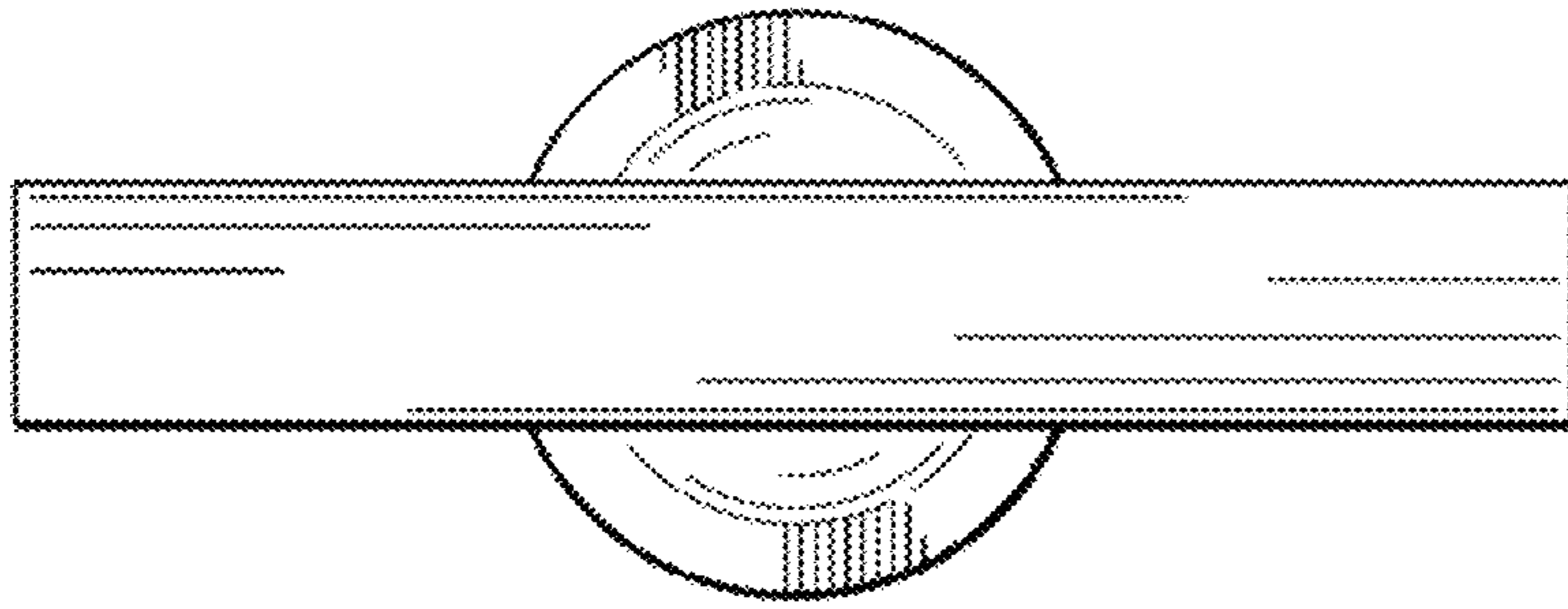


FIG. 4

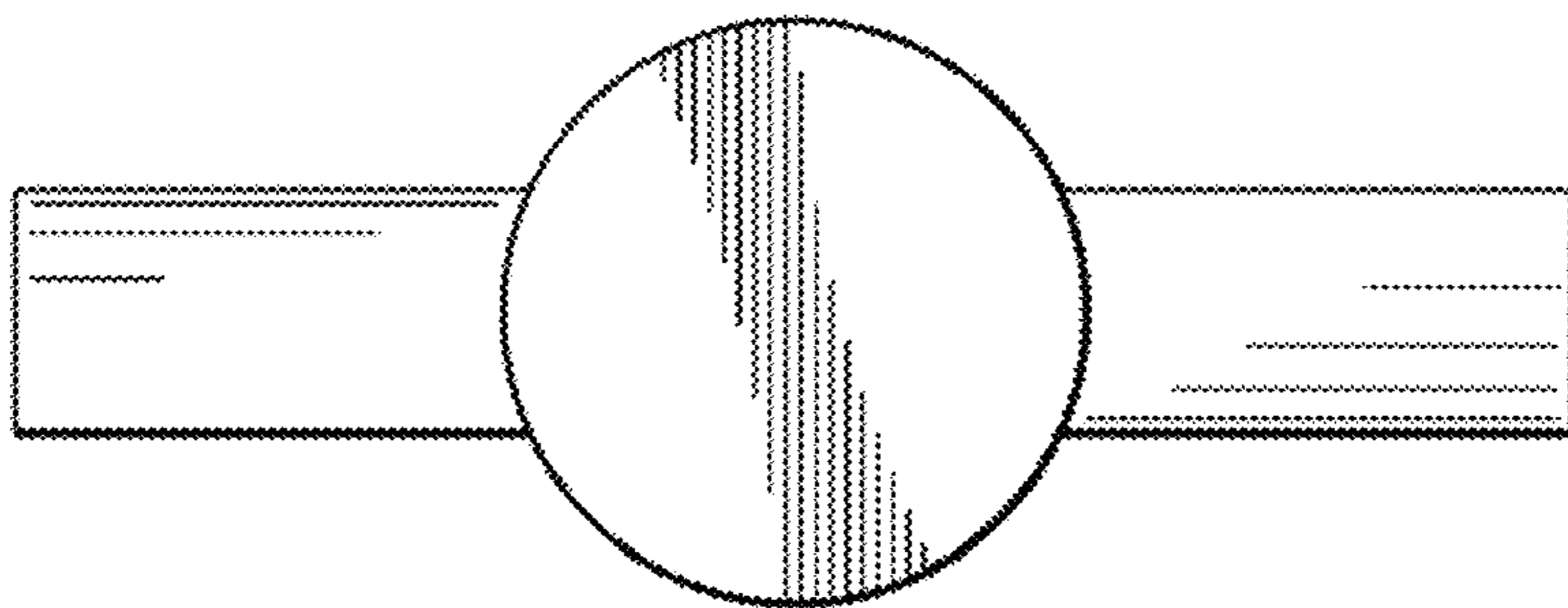


FIG. 5