



US00D742186S

(12) **United States Design Patent**
Hunt et al.

(10) **Patent No.:** **US D742,186 S**
(45) **Date of Patent:** **** Nov. 3, 2015**

- (54) **VINEYARD STAKE**
- (71) Applicant: **Atkore International**, Harvey, IL (US)
- (72) Inventors: **Jeffrey D. Hunt**, Perrysburg, OH (US);
Michael Robert Baker, Kokomo, IN (US);
Rick Paul, Kokomo, IN (US);
Eric Anthony Mihal, Crown Point, IN (US)
- (73) Assignee: **ATKORE INTERNATIONAL, INC.**,
Harvey, IL (US)
- (**) Term: **14 Years**
- (21) Appl. No.: **29/506,585**
- (22) Filed: **Oct. 17, 2014**

D343,693	S *	1/1994	Jeffrey	D25/131
5,350,155	A *	9/1994	Burk	256/48
D368,002	S *	3/1996	Henson	D8/1
D409,057	S *	5/1999	Wagner	D8/1
5,899,041	A *	5/1999	Durin	52/660
D420,153	S *	2/2000	Bouchard	D25/132
D432,371	S *	10/2000	Ballard	D8/1
D436,505	S *	1/2001	Mann	D8/1
6,434,883	B1 *	8/2002	Martin	47/46
7,866,927	B1 *	1/2011	Wong	411/23
D674,256	S *	1/2013	Charette	D8/1
2009/0140224	A1 *	6/2009	Ratanasiriwilai	256/2
2012/0131848	A1 *	5/2012	Reisacher	47/47
2013/0118069	A1 *	5/2013	Hunt et al.	47/46
2014/0145134	A1 *	5/2014	Schaeffer	256/35

* cited by examiner

Primary Examiner — Sheryl Lane

(74) *Attorney, Agent, or Firm* — Kacvinsky Daisak Bluni PLLC

Related U.S. Application Data

- (63) Continuation of application No. 13/297,313, filed on Nov. 16, 2011, now abandoned.
- (51) **LOC (10) Cl.** **08-01**
- (52) **U.S. Cl.**
USPC **D8/1**
- (58) **Field of Classification Search**
USPC D8/1; D25/131
CPC E04F 17/12; A01G 17/06; A01G 17/14
See application file for complete search history.

(57) **CLAIM**

The ornamental design for a vineyard stake, as shown and described.

DESCRIPTION

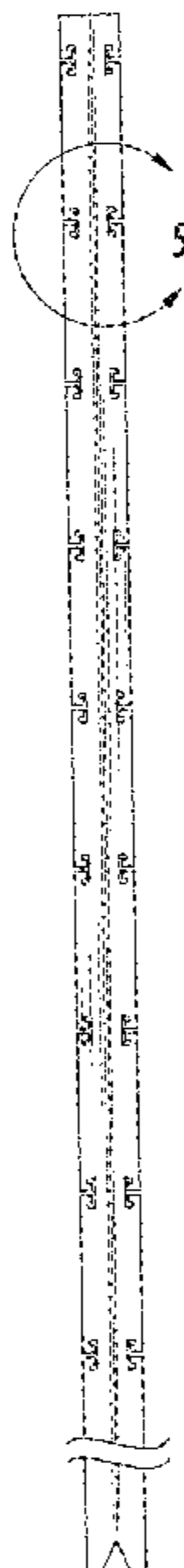
FIG. 1 is a front view of our new design;
 FIG. 2 is a side view of the design of FIG. 1;
 FIG. 3 is a top view of the design of FIG. 1;
 FIG. 4 is a bottom view of the design of FIG. 1;
 FIG. 5 is a detail view of a portion of the front view of FIG. 1;
 and,
 FIG. 6 is a detail view of a portion of the side view of FIG. 2.
 The vineyard stake is shown with a symbolic break. All portions between the break lines form no part of the claimed design.

(56) **References Cited**

U.S. PATENT DOCUMENTS

2,024,546	A *	12/1935	Starkey	47/47
3,266,778	A *	8/1966	Wogerbauer	256/47
4,023,683	A *	5/1977	Vargo	211/192
D282,813	S *	3/1986	Tappan et al.	D8/1

1 Claim, 5 Drawing Sheets



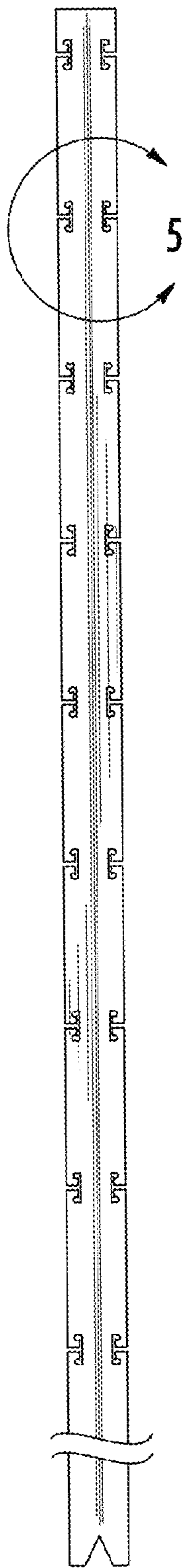


FIG. 1

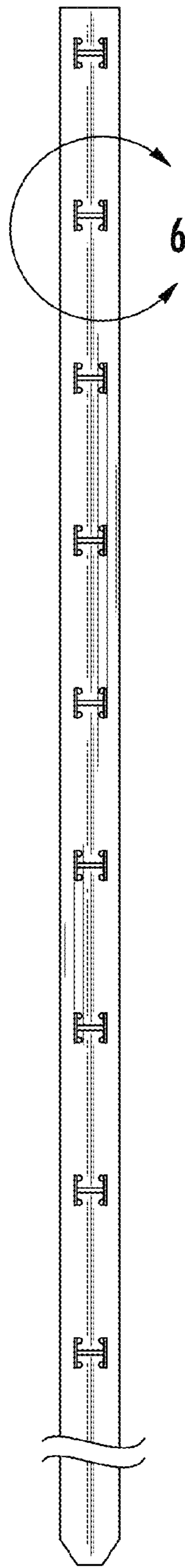


FIG. 2

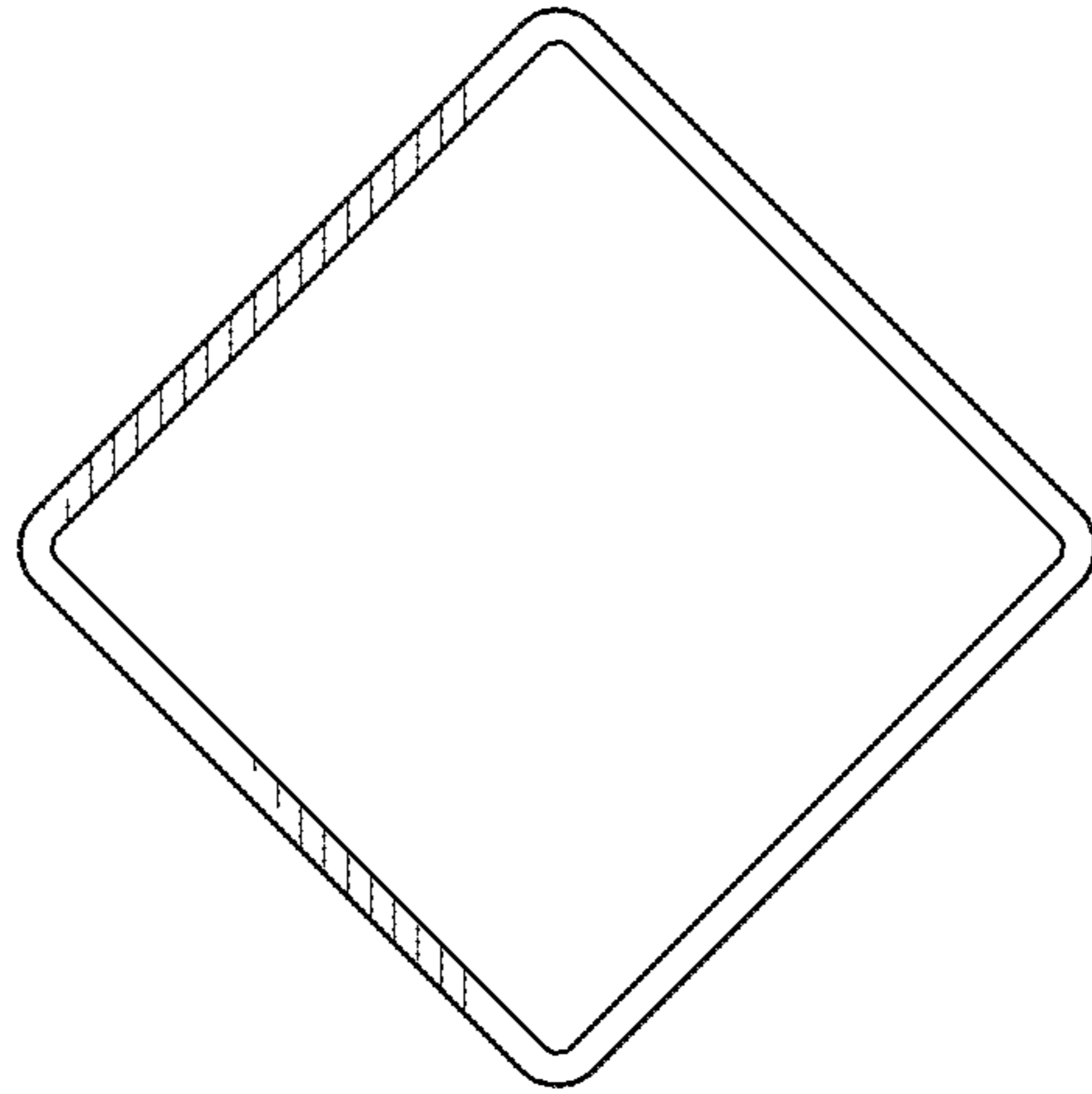


FIG. 3

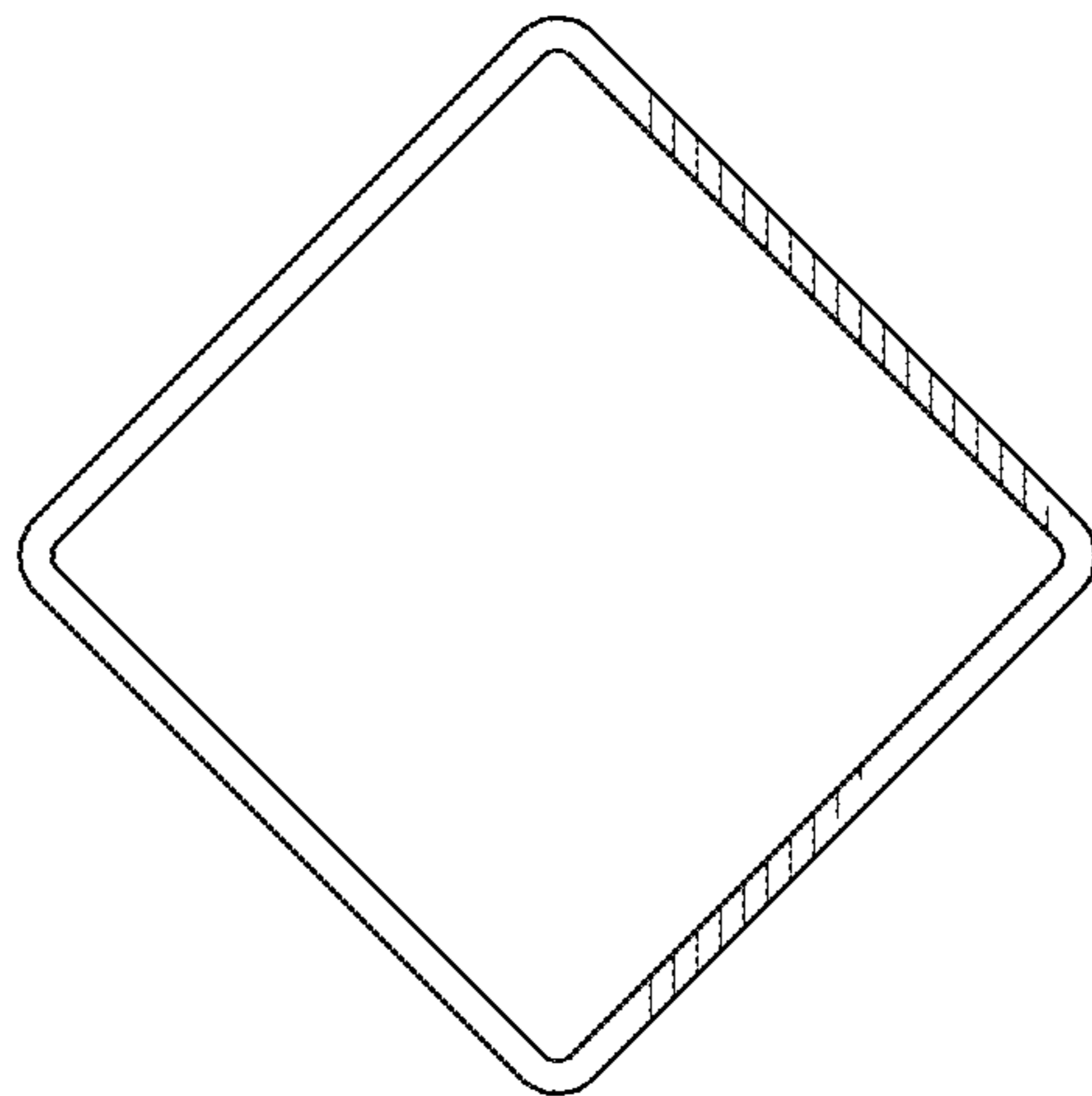


FIG. 4

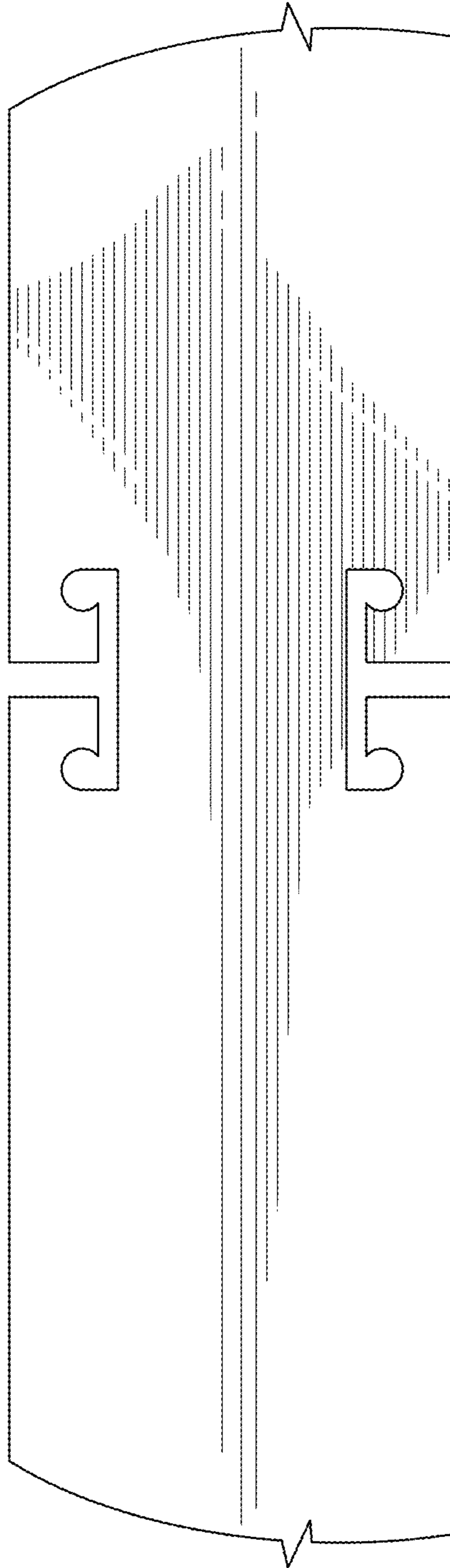


FIG. 5

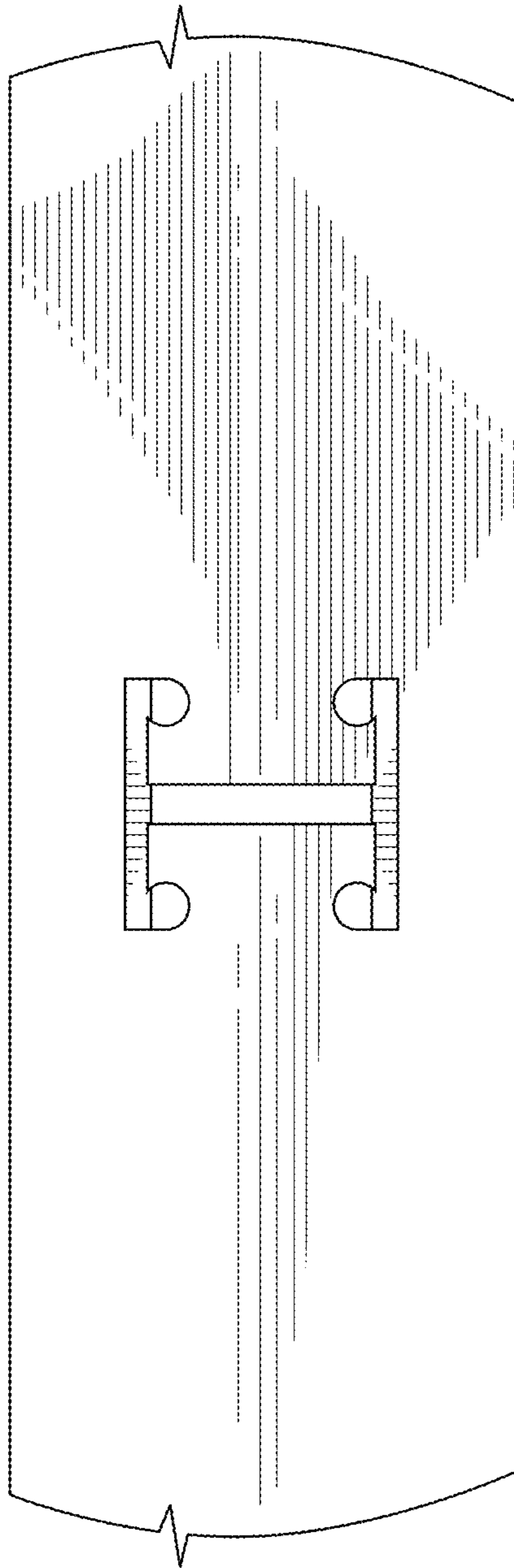


FIG. 6