



US00D742183S

(12) **United States Design Patent**
Kim et al.

(10) **Patent No.:** **US D742,183 S**
(45) **Date of Patent:** **** Nov. 3, 2015**

(54) **JUICER**

(56) **References Cited**

(71) Applicant: **NUC Electronics Co., Ltd.**, Daegu (KR)

U.S. PATENT DOCUMENTS

(72) Inventors: **Jong Boo Kim**, Daegu (KR); **Ji Tae Kim**, Daegu (KR); **Gun Wook Jo**, Daegu (KR)

D159,469	S	*	8/1950	Bennett	D7/665
D471,408	S	*	3/2003	Fouquet	D7/665
7,066,082	B2	*	6/2006	O'Loughlin	99/511
D537,303	S	*	2/2007	Stuckey	D7/665
D565,363	S	*	4/2008	Fouquet	D7/666
D660,660	S	*	5/2012	Kim	D7/666
D676,287	S	*	2/2013	Ferraby	D7/665
2006/0060091	A1	*	3/2006	Chang	99/511
2010/0139504	A1	*	6/2010	Wu Chang	99/510
2011/0083566	A1	*	4/2011	Backus	99/511
2011/0154997	A1	*	6/2011	Huang	99/508
2013/0255511	A1	*	10/2013	Steiner	99/513

(73) Assignee: **NUC Electronics Co., Ltd.**, Daegu (KR)

(**) Term: **14 Years**

(21) Appl. No.: **29/481,339**

(22) Filed: **Feb. 4, 2014**

* cited by examiner

(30) **Foreign Application Priority Data**

Primary Examiner — Terry Wallace

Sep. 6, 2013 (KR) 30-2013-0046068

(74) *Attorney, Agent, or Firm* — Seed IP Law Group PLLC

(51) **LOC (10) Cl.** **31-00**

(52) **U.S. Cl.**
USPC **D7/665**

(57) **CLAIM**

The ornamental design for a juicer, as shown and described.

(58) **Field of Classification Search**

DESCRIPTION

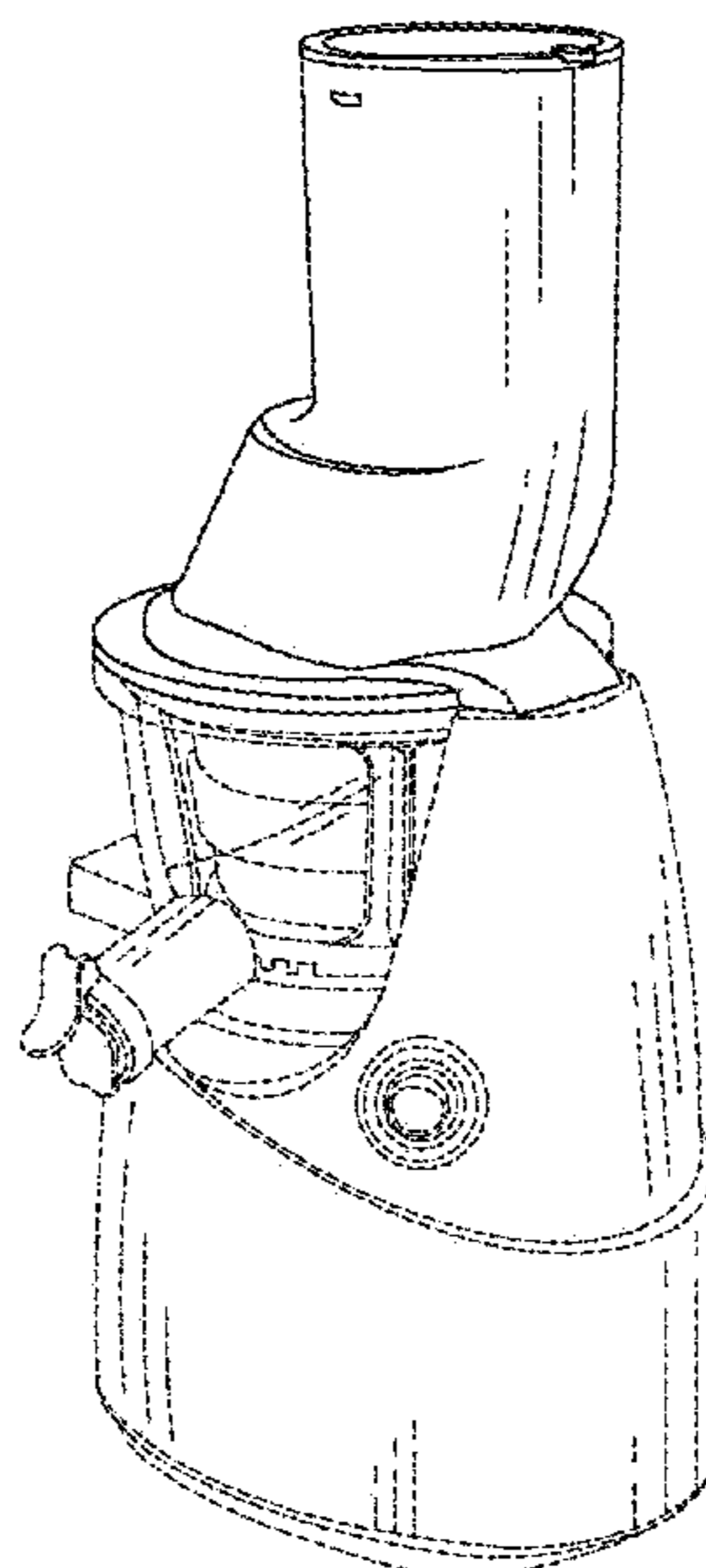
USPC D7/368, 665–667, 412, 376–386, 372, D7/373, 375, 374; 241/92, 401.1–101.73, 241/285.1–285.3, 36, 37.5, 100, 282.1; 99/495, 501–513, 499, 348, 357, 349, 99/369, 370, 496–497, 279, 280, 284, 99/290; 100/125, 213, 283, 218, 288, 208; 366/98, 142, 197–211, 241–254, 366/279–292, 341–347, 64–67

CPC A47J 19/02; A47J 44/00; A47J 44/02; A47J 43/00; A47J 43/25; A47J 43/046; A47J 43/0722; A47J 31/00; A47J 31/005; A47J 31/02; A47J 31/04; A47J 19/027; A47J 19/00; A47J 19/06; A47J 19/022; A23N 1/02; A23N 1/00; A23N 1/003; A23N 1/006

FIG. 1 is a perspective view of a juicer showing our new design.
 FIG. 2 is a front view thereof.
 FIG. 3 is a rear view thereof.
 FIG. 4 is a left side view thereof.
 FIG. 5 is a right side view thereof.
 FIG. 6 is a top plan view thereof; and,
 FIG. 7 is a bottom plan view thereof.
 The broken lines in the figures are for illustrative purposes only and form no part of the claimed design.

See application file for complete search history.

1 Claim, 6 Drawing Sheets



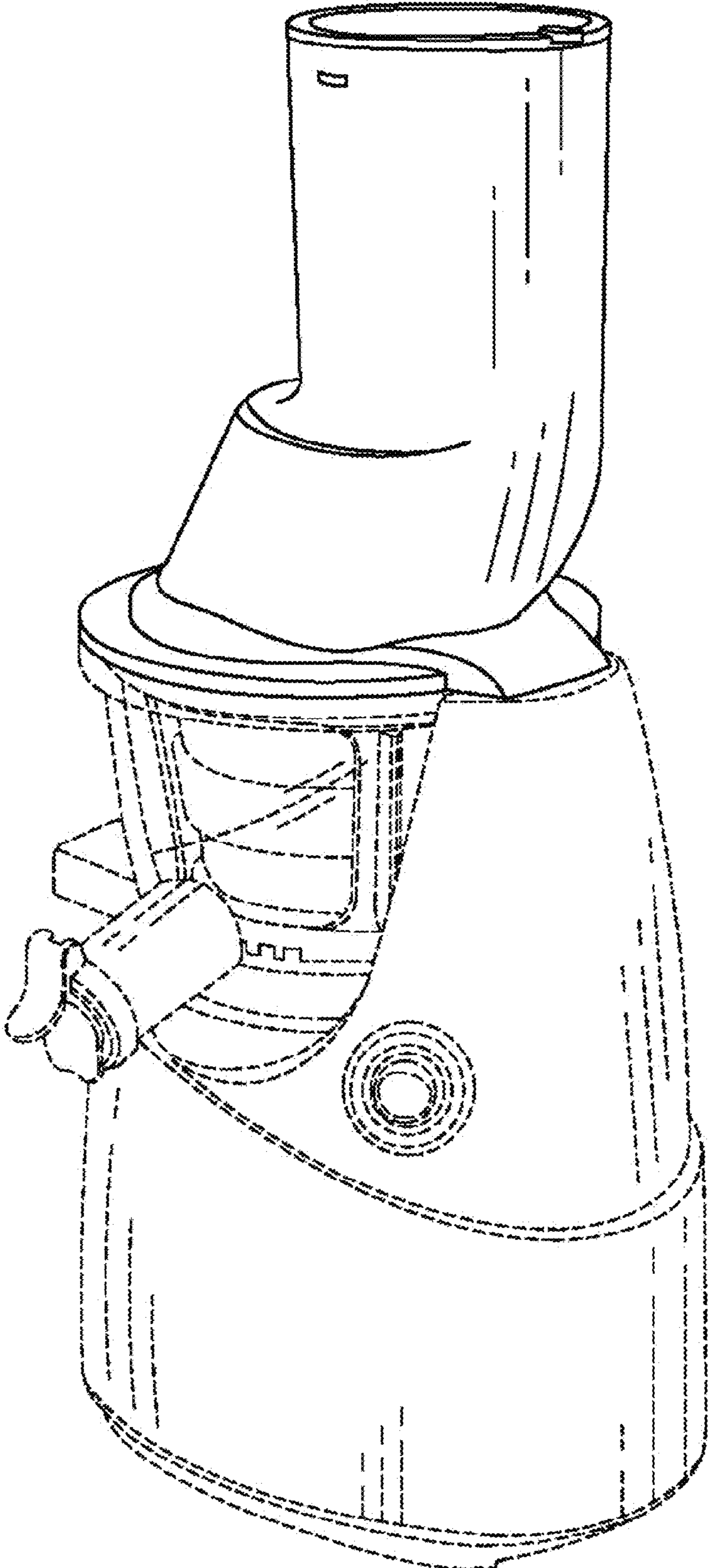


FIG. 1

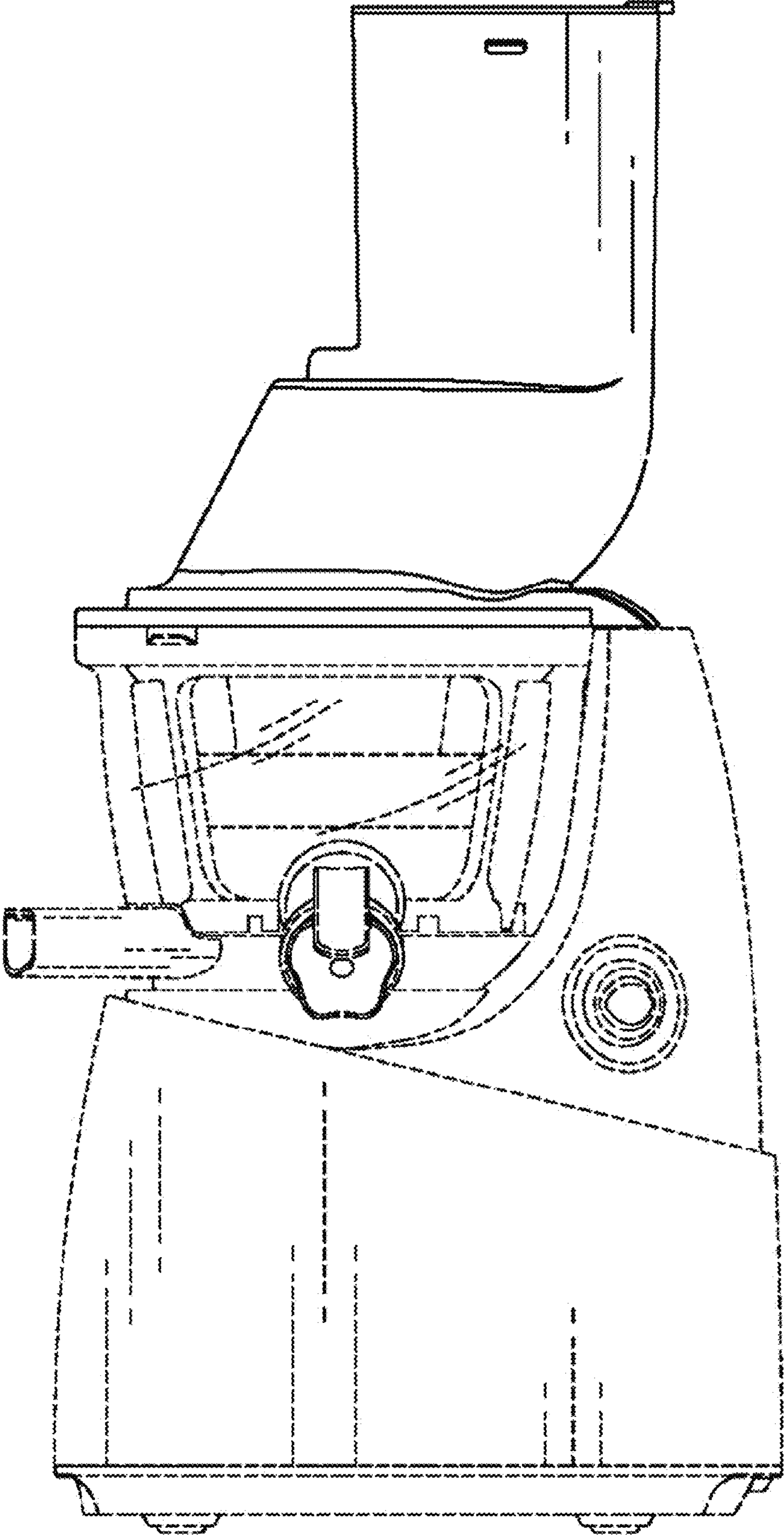


FIG. 2

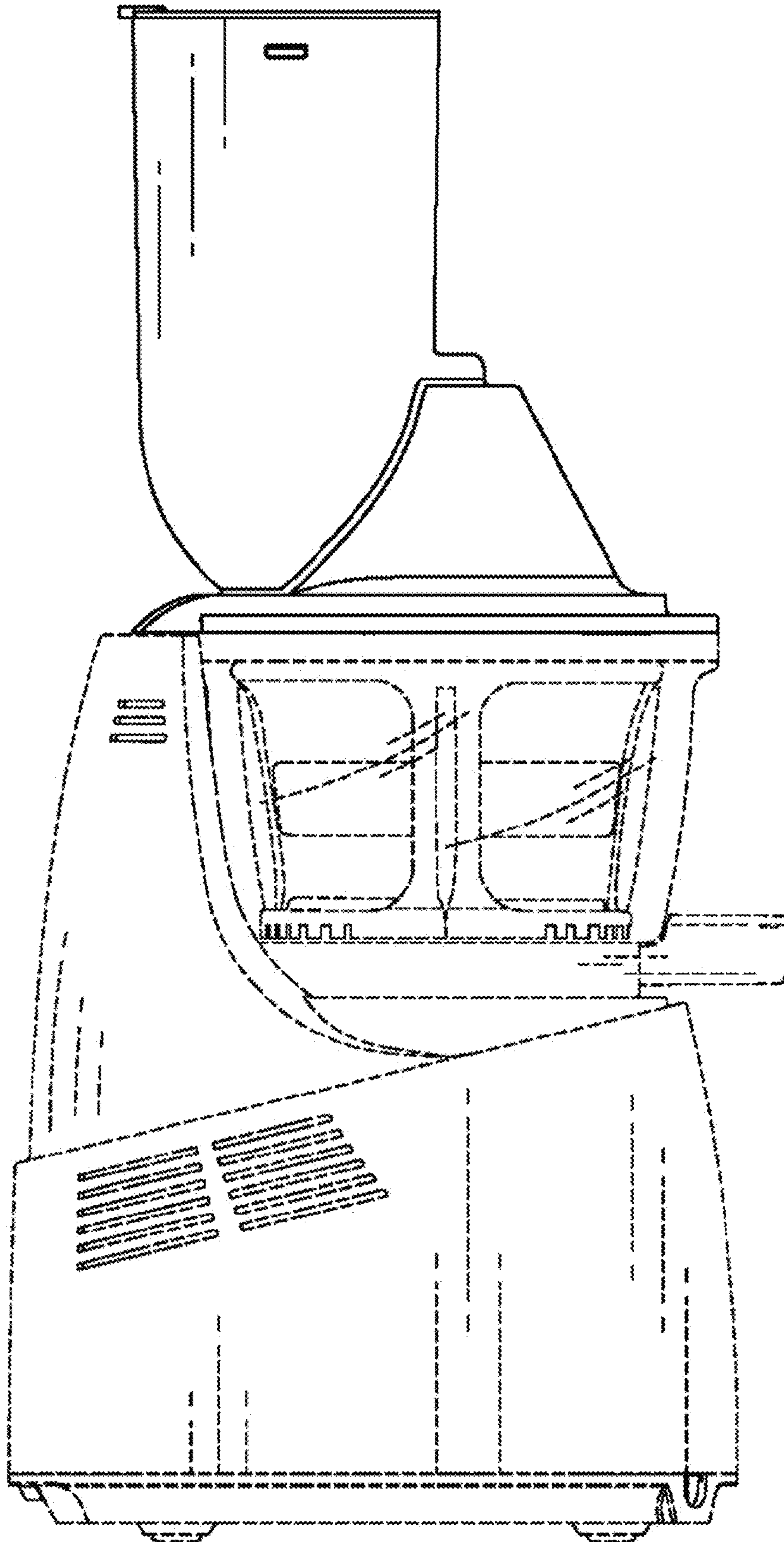


FIG. 3

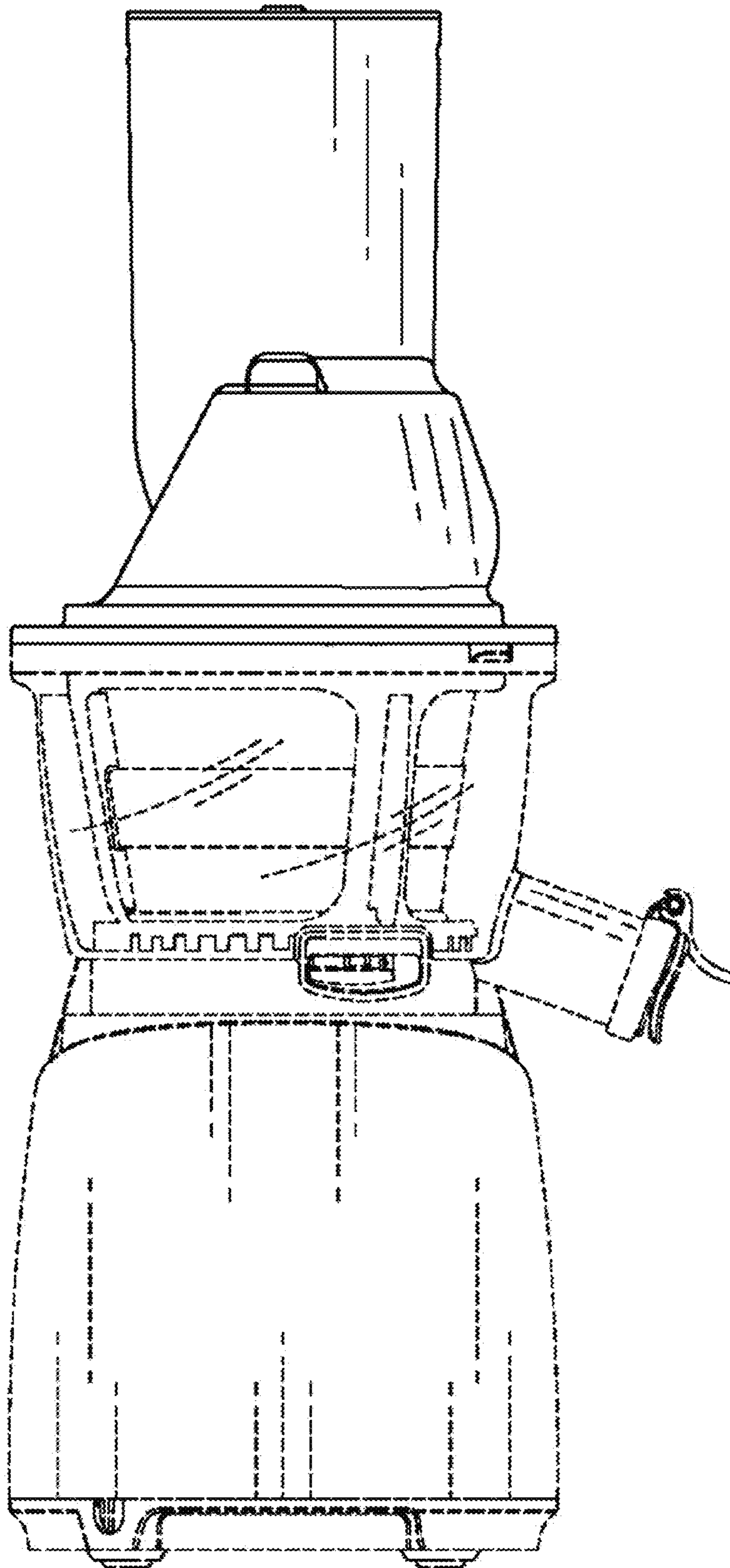


FIG. 4

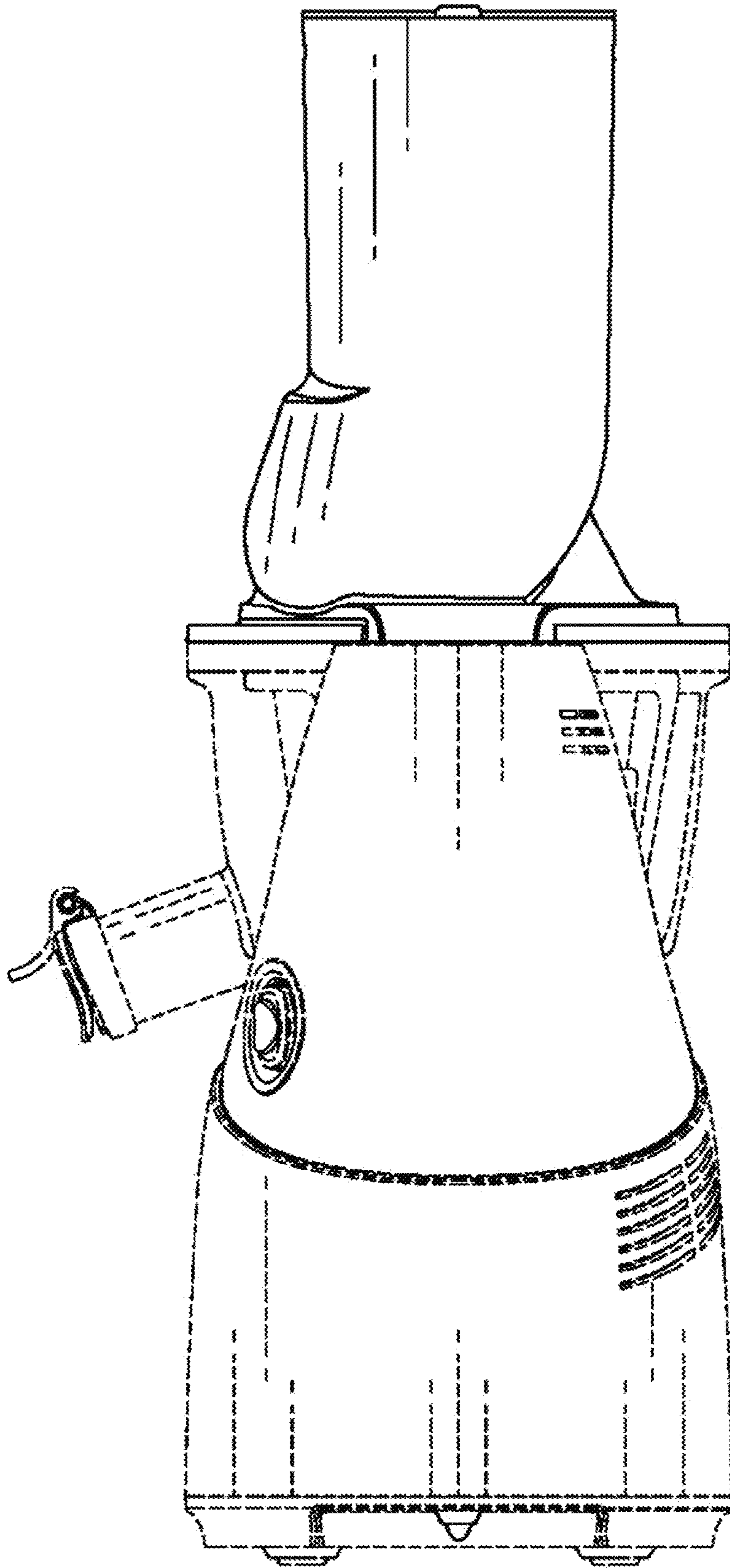


FIG. 5

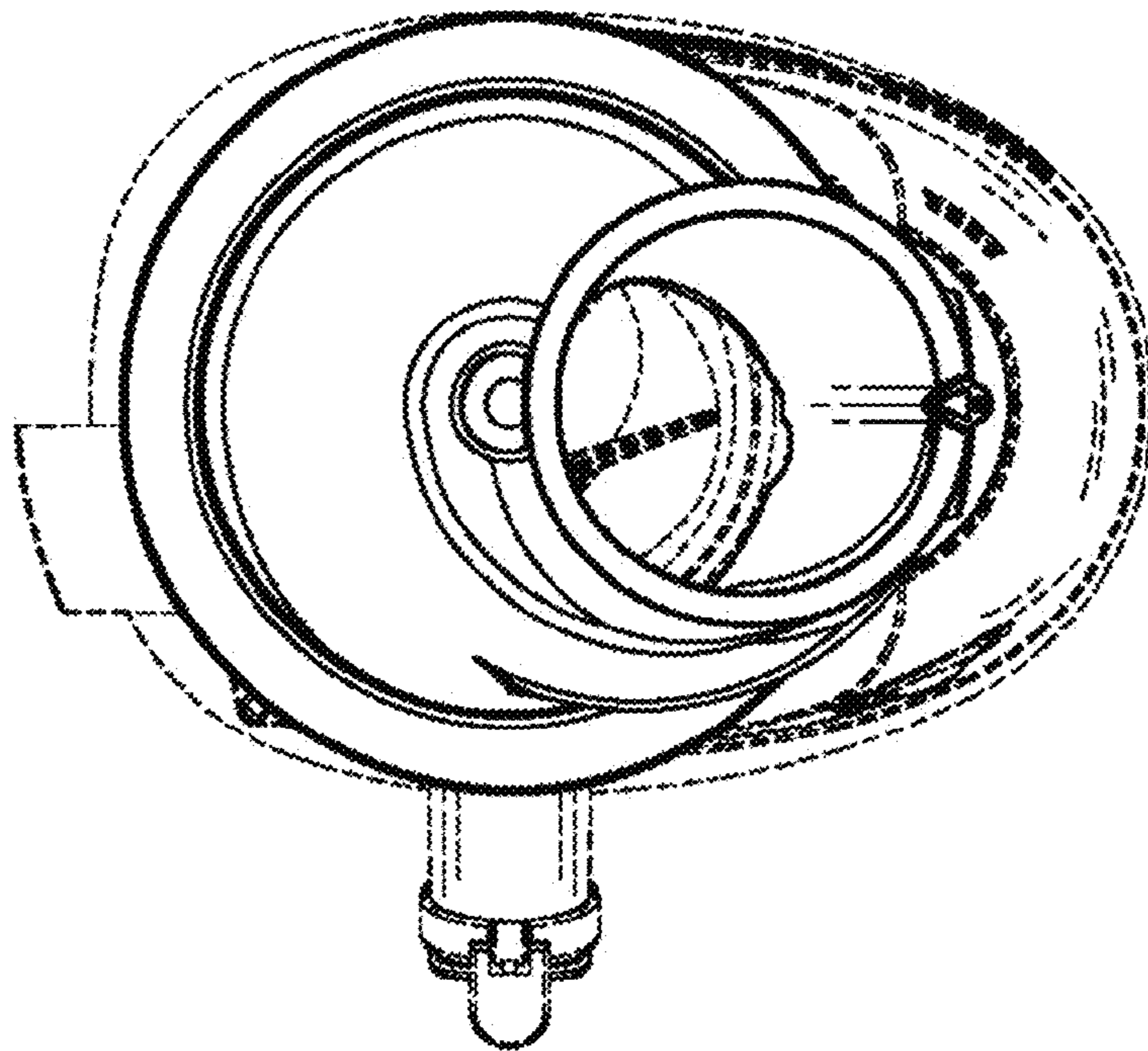


FIG. 6

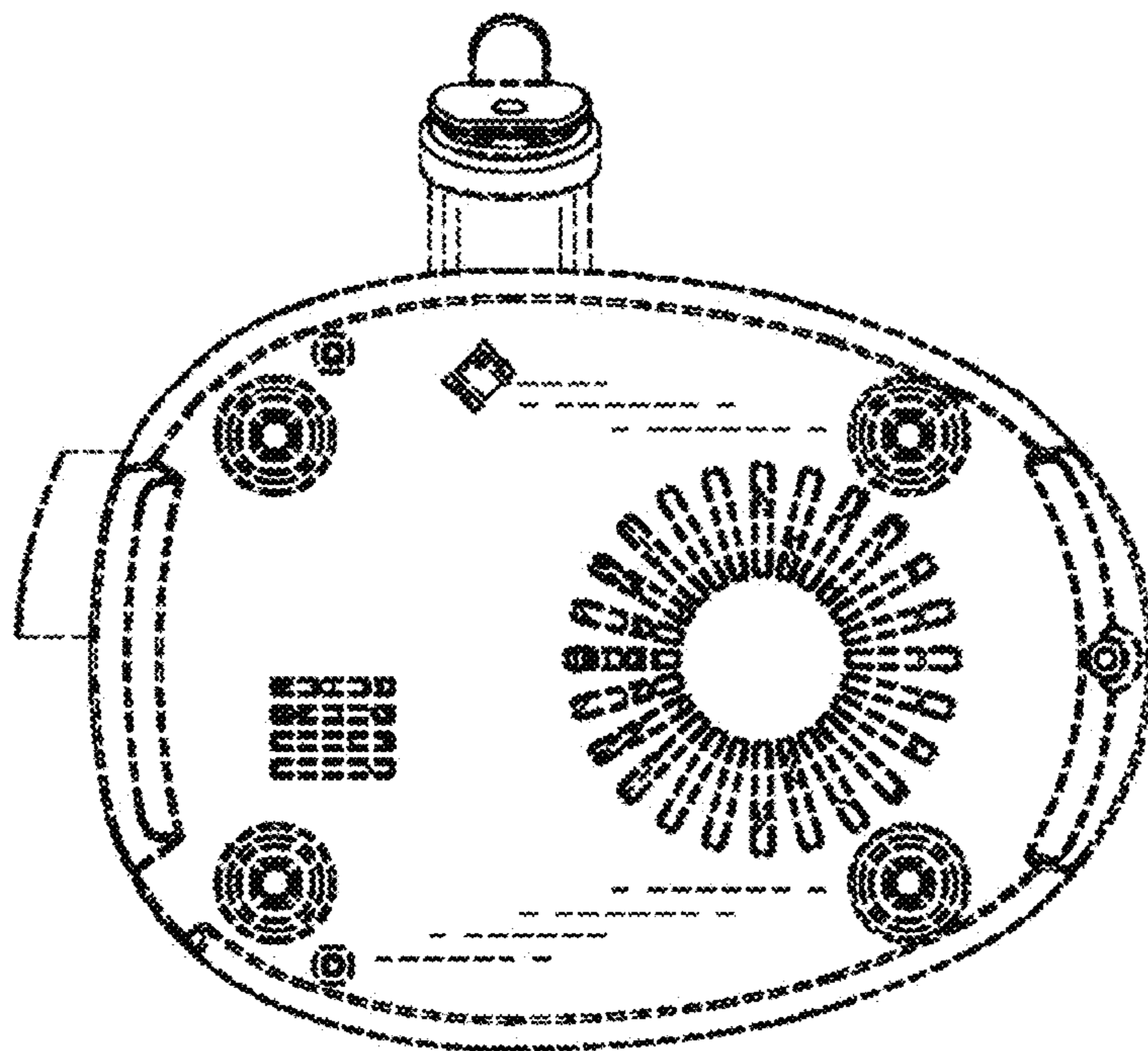


FIG. 7