



US00D742178S

(12) **United States Design Patent**
Shames

(10) **Patent No.:** **US D742,178 S**

(45) **Date of Patent:** **** Nov. 3, 2015**

(54) **SERVING TRAY**

(71) Applicant: **Lisa Shames**, Thousand Oaks, CA (US)

(72) Inventor: **Lisa Shames**, Thousand Oaks, CA (US)

(**) Term: **14 Years**

(21) Appl. No.: **29/467,647**

(22) Filed: **Sep. 20, 2013**

(51) **LOC (10) Cl.** **07-01**

(52) **U.S. Cl.**

USPC **D7/554.2**

(58) **Field of Classification Search**

USPC D7/624.1, 500, 505, 505.5, 550.1,
D7/553.1, 554.2, 553.6-553.8, 357;
D21/475; 446/90; 206/561-564

CPC B65D 21/00; B65D 21/0204
See application file for complete search history.

8,186,524 B2 5/2012 Siahpush
8,272,512 B2 9/2012 Joseph
D708,062 S * 7/2014 Musi Navarro D9/455
2005/0017134 A1 1/2005 Hooper
2008/0264822 A1 10/2008 Faiola
2012/0031806 A1 2/2012 Riley
2012/0097574 A1 4/2012 Parsons

FOREIGN PATENT DOCUMENTS

CA 2136485 5/1996

* cited by examiner

Primary Examiner — Kelley Donnelly

(74) *Attorney, Agent, or Firm* — Koppel, Patrick, Heybl & Philpott

(57) **CLAIM**

The ornamental design for a serving tray, as shown and described herein.

DESCRIPTION

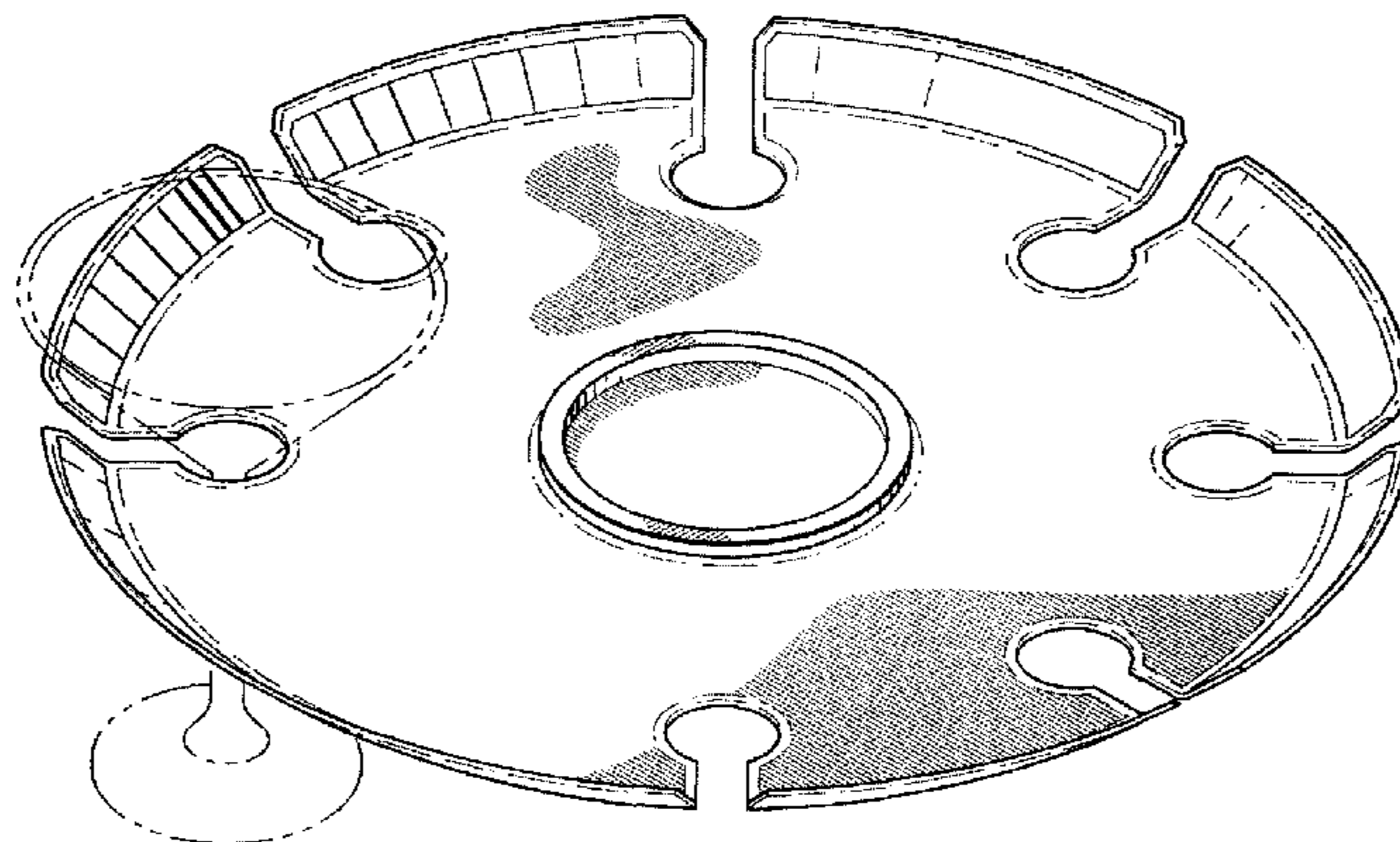
FIG. 1 is a top, front, right side perspective view of a serving tray according to an embodiment of the present invention; FIG. 2 is a top plan view of the serving tray shown in FIG. 1; FIG. 3 is a bottom plan view of the serving tray shown in FIG. 1; FIG. 4 is a front elevation view of the serving tray shown in FIG. 1; FIG. 5 is a rear elevation view of the serving tray shown in FIG. 1; FIG. 6 is a left side elevation view of the serving tray shown in FIG. 1; FIG. 7 is a right side elevation view of the serving tray shown in FIG. 1; and, FIG. 8 is a perspective view of a serving tray according to another embodiment of the present invention not comprising the top raised center portion. Additional views of the embodiment shown in FIG. 8 are not depicted herein as they are substantially similar to the views depicted in FIGS. 2-7 above. The broken lines in FIG. 1 and FIG. 8 depict environmental subject matter only and form no part of the claimed design.

(56) **References Cited**

U.S. PATENT DOCUMENTS

D87,692 S 8/1932 Porter
D105,687 S * 8/1937 Bode D7/702
3,491,893 A 1/1970 Morris
4,334,623 A 6/1982 Geary
4,516,685 A * 5/1985 French 220/23.83
D326,588 S * 6/1992 Meisel D7/549
D342,421 S * 12/1993 DuBow D7/708
D359,885 S * 7/1995 Yanuzzi D7/553.8
5,711,595 A 1/1998 Gerbe
5,769,264 A 6/1998 Lipkowitz
5,772,050 A 6/1998 Shih
6,021,914 A 2/2000 Schmidt
D453,891 S * 2/2002 Sussman D7/553.1
6,964,443 B1 * 11/2005 Newton 294/172
7,334,908 B1 2/2008 Figueroa
D563,726 S 3/2008 Fraser
D575,600 S * 8/2008 Mayer D7/708
D576,455 S * 9/2008 Siddle D7/701
7,562,785 B2 7/2009 Meissen
D614,926 S * 5/2010 Cox D7/708
D623,478 S * 9/2010 Hayashi D7/551.1
D651,028 S 12/2011 Grimaldi

1 Claim, 4 Drawing Sheets



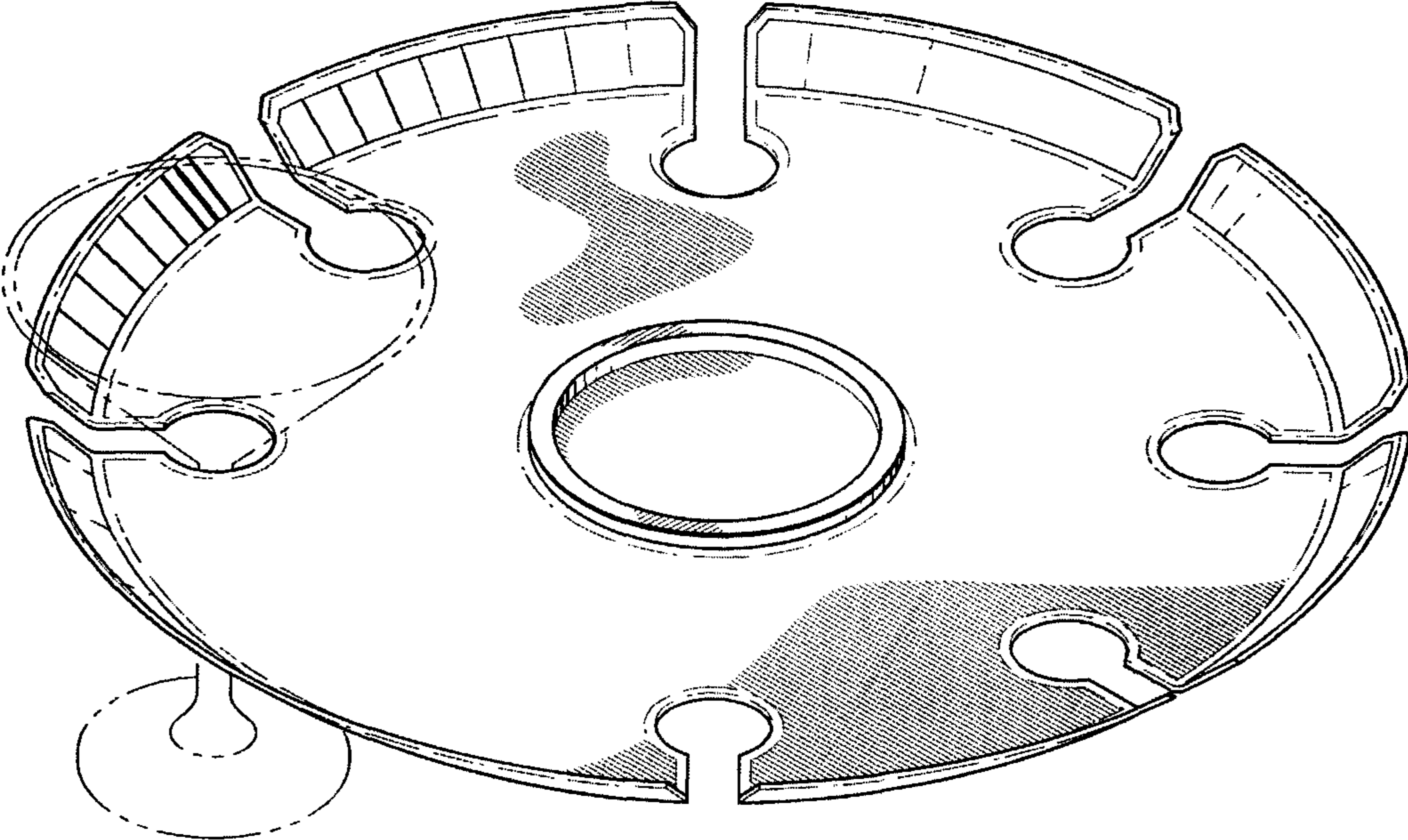


FIG. 1

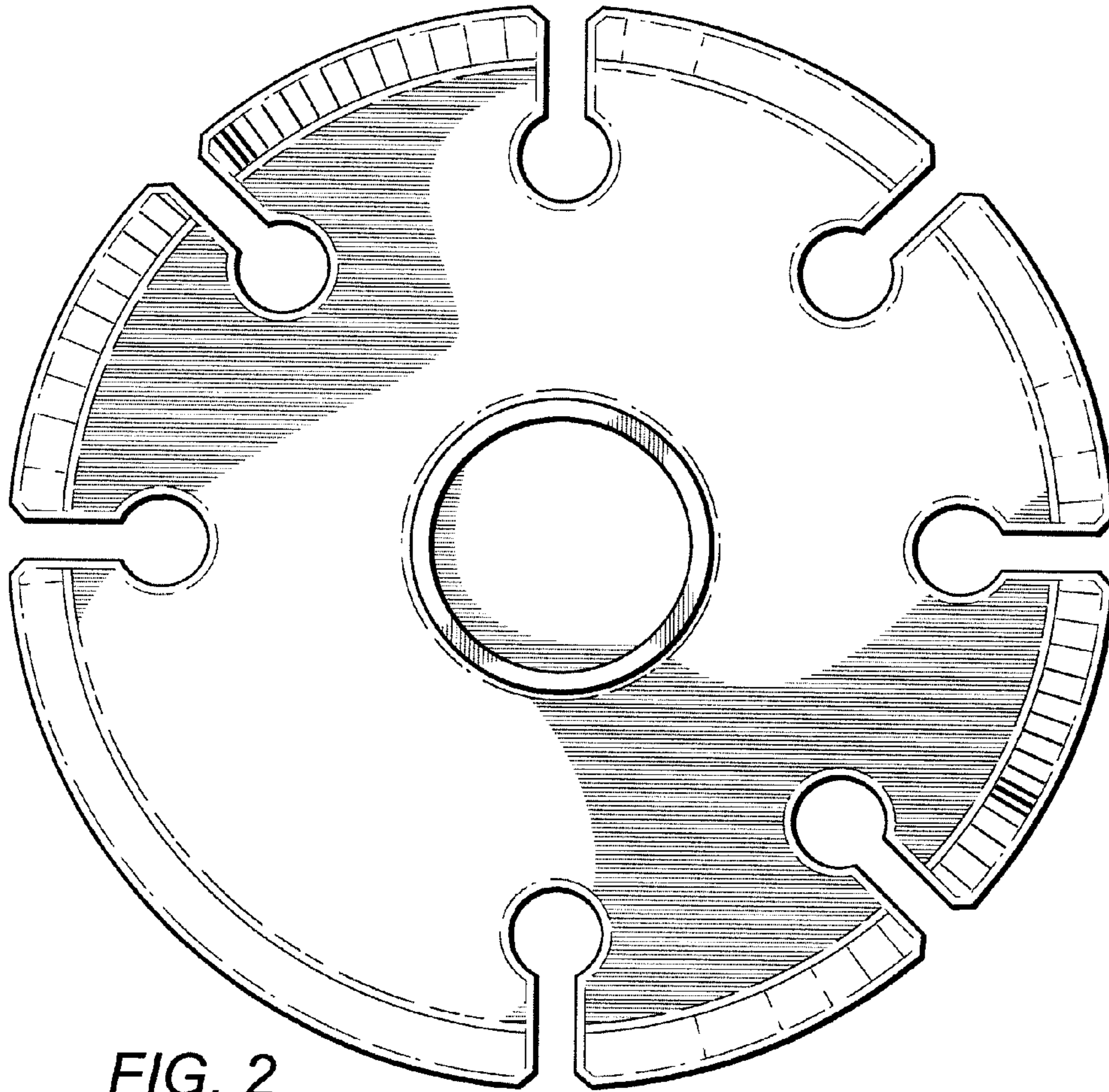


FIG. 2



FIG. 4

FIG. 5





FIG. 6



FIG. 7

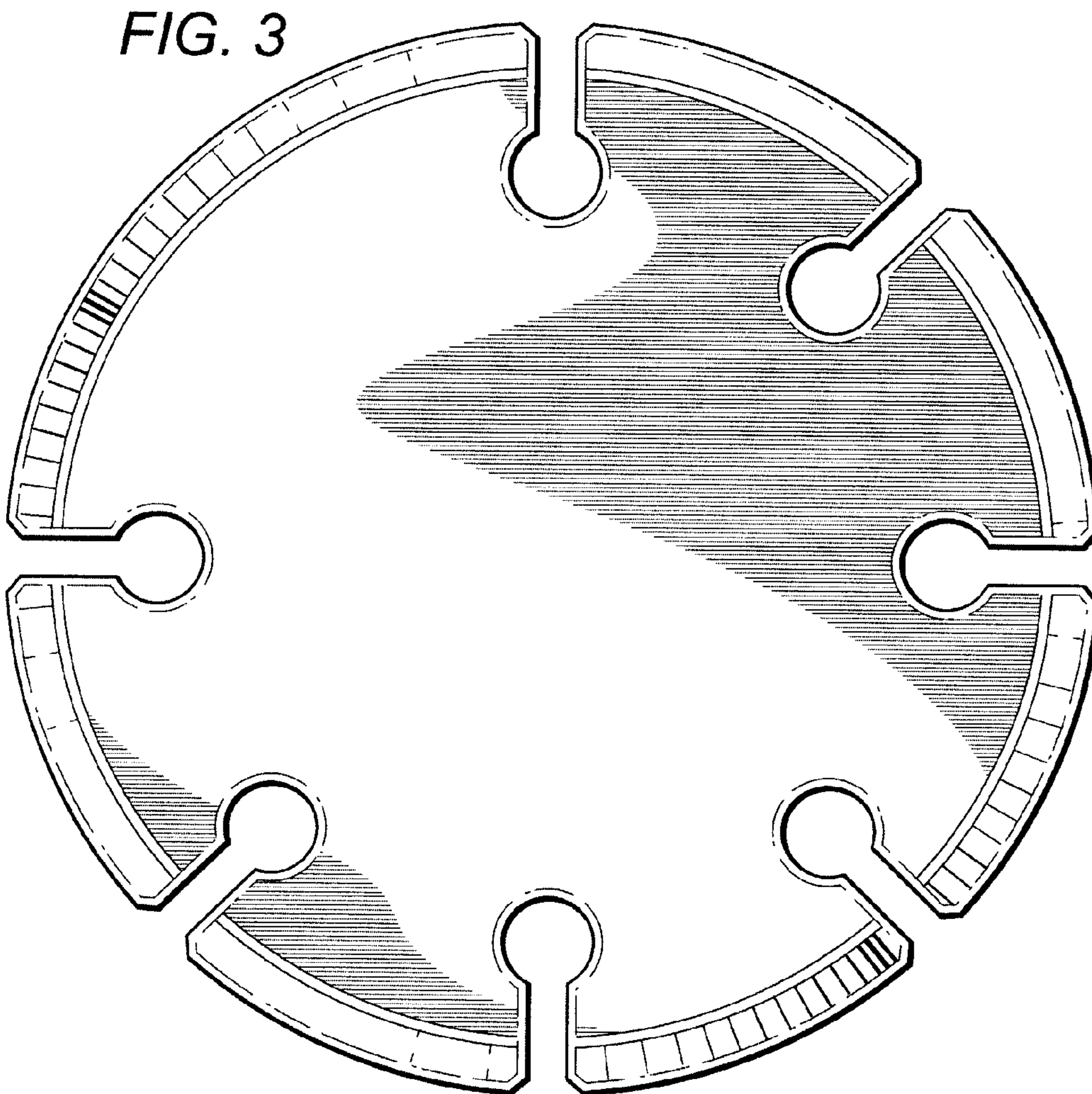


FIG. 3

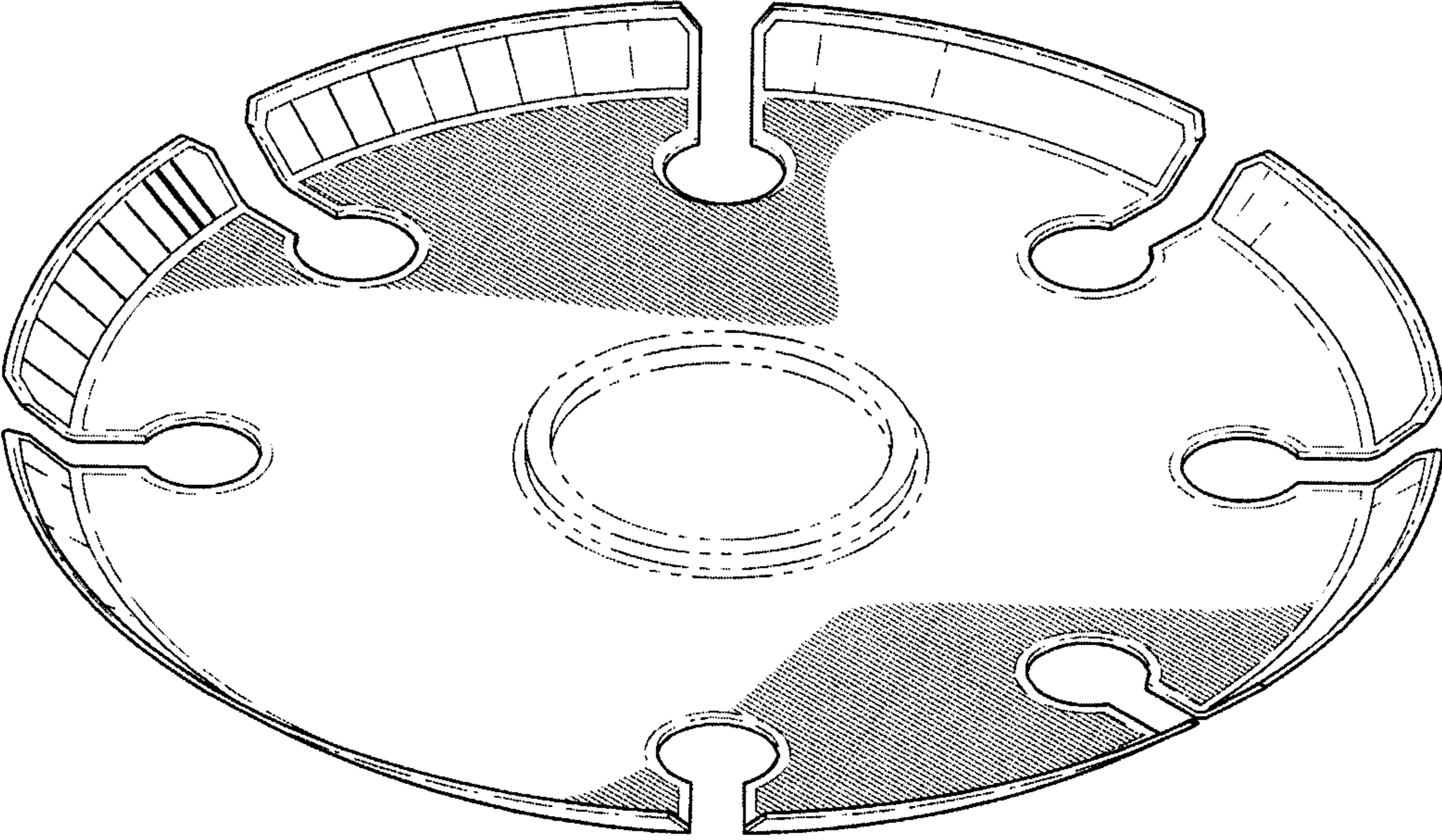


FIG. 8