



US00D742174S

(12) **United States Design Patent**
Roth et al.

(10) **Patent No.:** **US D742,174 S**
(45) **Date of Patent:** **** Nov. 3, 2015**

(54) **BOTTLE WITH DOUBLE WALLED STRUCTURE AND REMOVABLE STRAW MIXER**

(71) Applicant: **Cool Gear International, LLC**,
Plymouth, MA (US)
(72) Inventors: **Donna Roth**, Duxbury, MA (US);
Henry Roth, Plymouth, MA (US); **Fadi Sanbar**, Whitman, MA (US)
(73) Assignee: **Cool Gear International, LLC**,
Plymouth, MA (US)

(**) Term: **14 Years**

(21) Appl. No.: **29/490,797**

(22) Filed: **May 13, 2014**

(51) **LOC (10) Cl.** **07-01**

(52) **U.S. Cl.**
USPC **D7/510; D7/511; D7/300.2**

(58) **Field of Classification Search**
USPC **D7/509, 510, 511, 523, 535, 538, 543,**
D7/300.1, 300.2, 591, 597, 704, 624.1,
D7/624.2, 624.3, 709, 633, 635, 640, 376,
D7/387, 392.1, 396.1, 396.2, 397, 213,
D7/507, 619.1, 398, 377, 378, 379, 380,
D7/690, 409, 682, 412, 667, 653, 643;
D9/446, 449, 443, 444, 445, 447, 450,
D9/435, 436, 438, 671; 220/262, 254.4,
220/834, 254.3, 254.7, 375, 678; 215/235,
215/306, 355, 336, 325; 366/118, 130;
D6/403, 718.31, 313, 310, 317, 356,
D6/656.12, 606; 211/196; 99/499, 440,
99/497; 171/53
CPC **A47G 19/22; A47G 19/2222; A47G**
19/2227; A47G 21/18; A47G 2200/186;
A47G 2200/18; A47G 2200/183; A47G
21/061; A47G 21/063; A47G 21/067; A45F
3/16; B65D 1/265; B65D 47/00; B65D 53/00;
B65D 47/0871

See application file for complete search history.

(56) **References Cited**

U.S. PATENT DOCUMENTS

D371,930 S *	7/1996	Huang	D7/300.1
D401,466 S *	11/1998	Joergensen	D7/318
D426,742 S *	6/2000	Gartz et al.	D7/376
D446,681 S *	8/2001	Weibel	D7/376
D448,971 S *	10/2001	Hughes	D7/392.1
D463,946 S *	10/2002	Yeh	D7/309
D510,678 S *	10/2005	Krasne et al.	D7/376
D571,610 S *	6/2008	Bodum	D7/399
7,441,941 B2 *	10/2008	Vernon	366/130
D581,216 S *	11/2008	Williams	D7/510
D586,184 S *	2/2009	Miller et al.	D7/511
D595,990 S *	7/2009	Rothberg et al.	D7/300.2
D652,256 S *	1/2012	Eyal	D7/510
D655,967 S *	3/2012	Bodum	D7/300.1
D669,310 S *	10/2012	Barreto et al.	D7/510

(Continued)

Primary Examiner — Marianne Pandozzi

Assistant Examiner — Jae Liang

(74) *Attorney, Agent, or Firm* — Mintz Levin Cohn Ferris
Glovsky and Popeo, P.C.; Steve Jensen; Richard B. Emmons

(57) **CLAIM**

The ornamental design for a bottle with double walled structure and removable straw mixer, as shown and described.

DESCRIPTION

FIG. 1 is a perspective view of the top, front, and right side of a bottle with double walled structure and removable straw mixer;

FIG. 2 is a front view thereof;

FIG. 3 is a back view thereof;

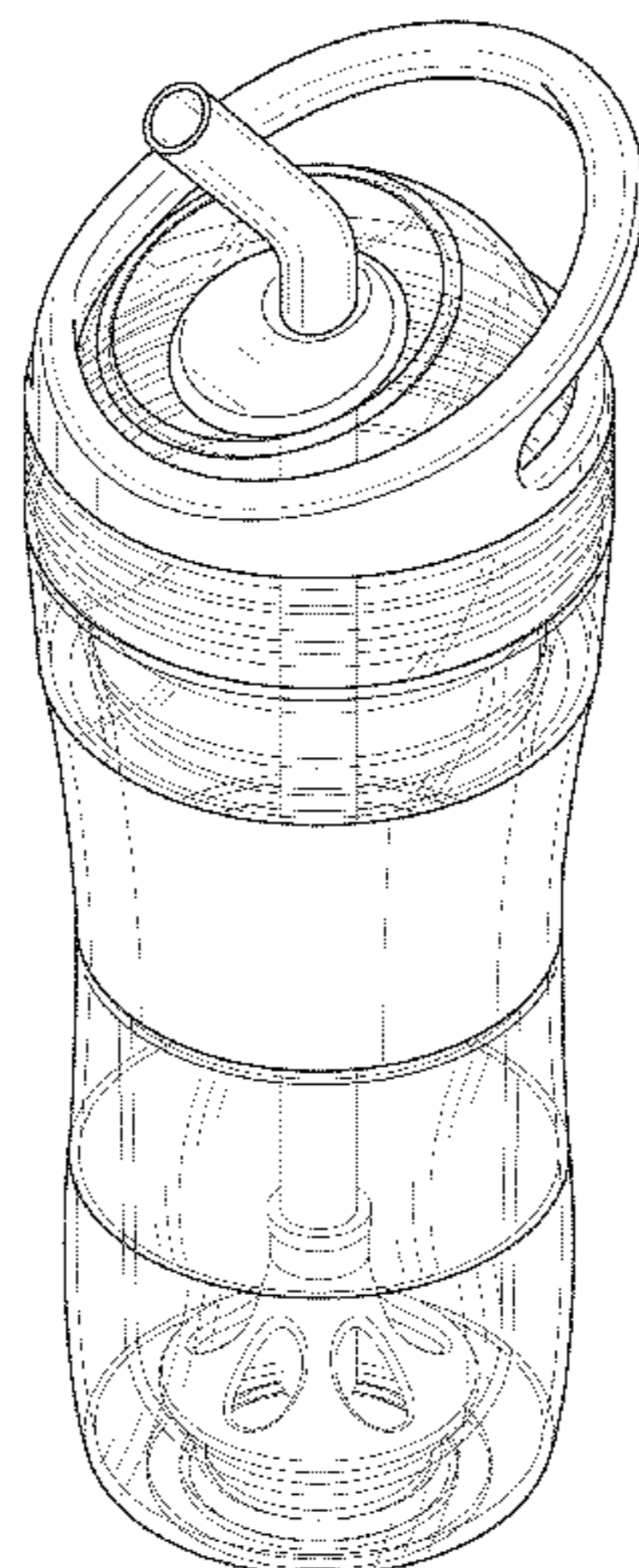
FIG. 4 is a left view thereof;

FIG. 5 is a right view thereof;

FIG. 6 is a top view thereof; and,

FIG. 7 is a bottom view thereof.

1 Claim, 6 Drawing Sheets



(56)

References Cited

U.S. PATENT DOCUMENTS

D674,241 S *	1/2013	Bickert et al.	D7/510	D701,727 S *	4/2014	Gilbert	D7/507
D687,259 S *	8/2013	Hauser et al.	D7/376	D702,079 S *	4/2014	Hung	D7/392.1
D692,724 S *	11/2013	Smiedt et al.	D7/510	D709,163 S *	7/2014	Deruntz et al.	D23/206
D700,014 S *	2/2014	Zeanah	D7/510	RE45,055 E *	8/2014	Roth et al.	D7/510
D700,807 S *	3/2014	Kershaw et al.	D7/510	2007/0241116 A1 *	10/2007	Fripps	220/603
				2011/0059216 A1 *	3/2011	Takumah	426/519
				2012/0223076 A1 *	9/2012	Godfrey et al.	220/288

* cited by examiner

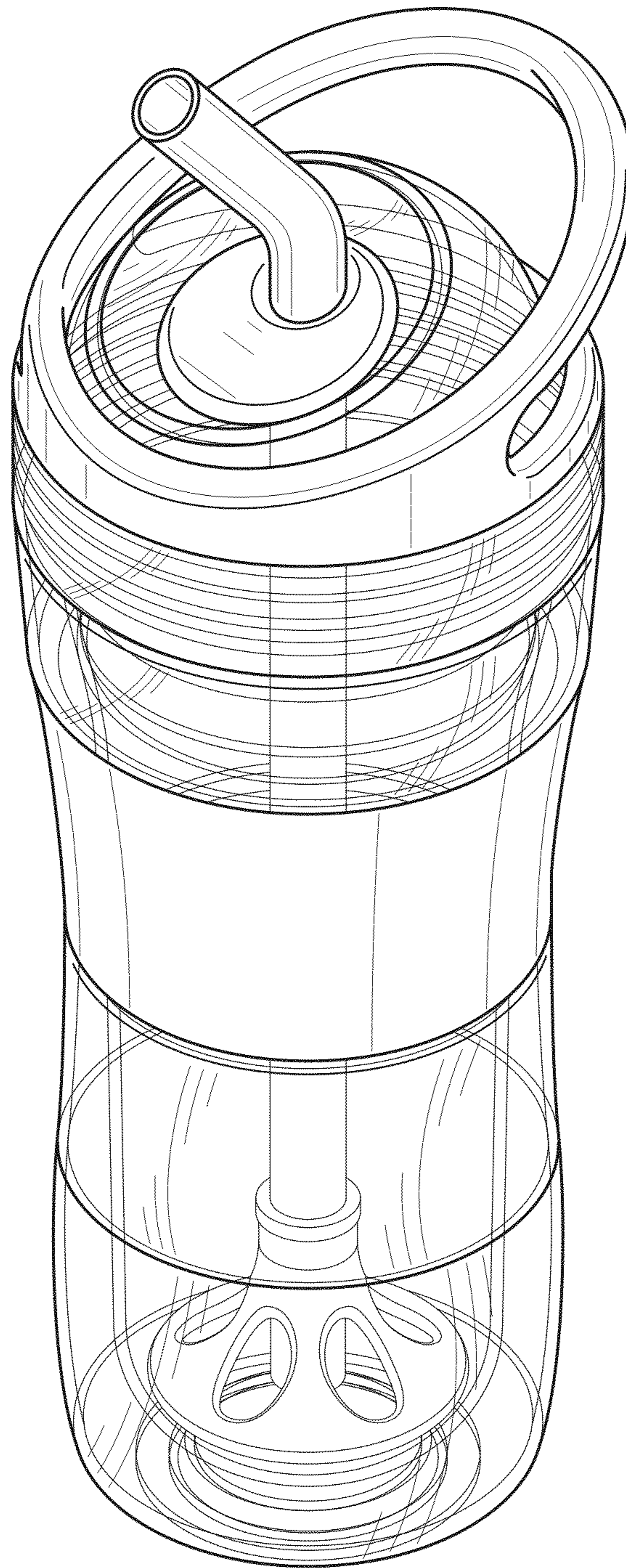


FIG. 1

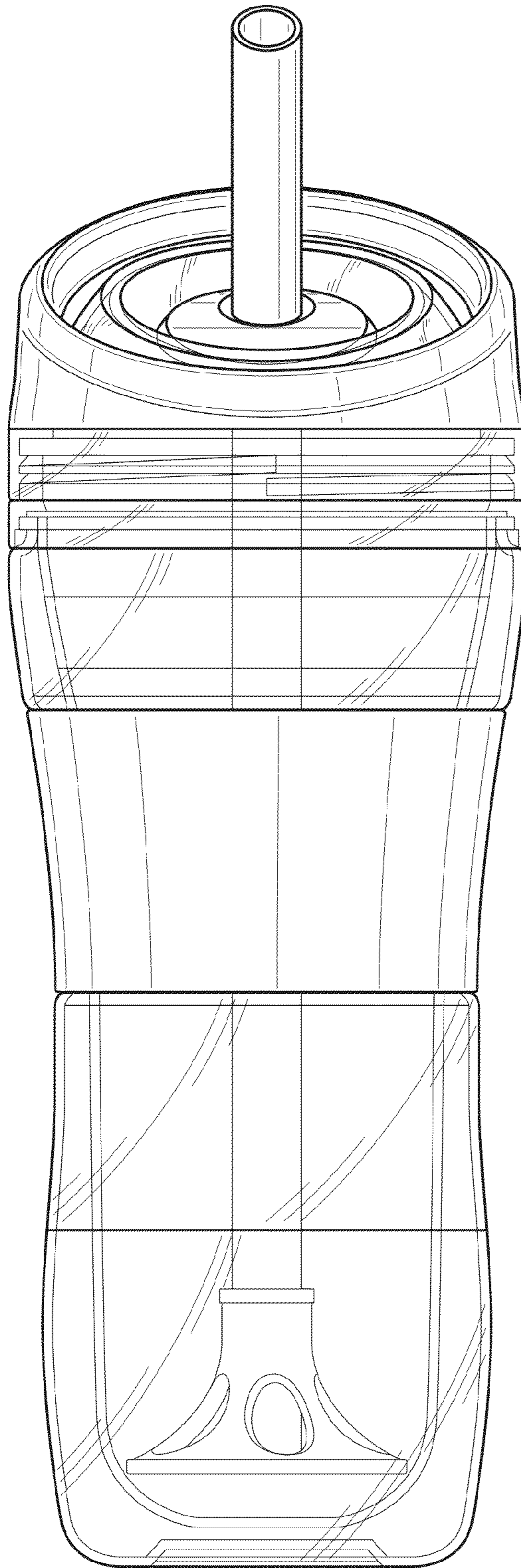


FIG. 2

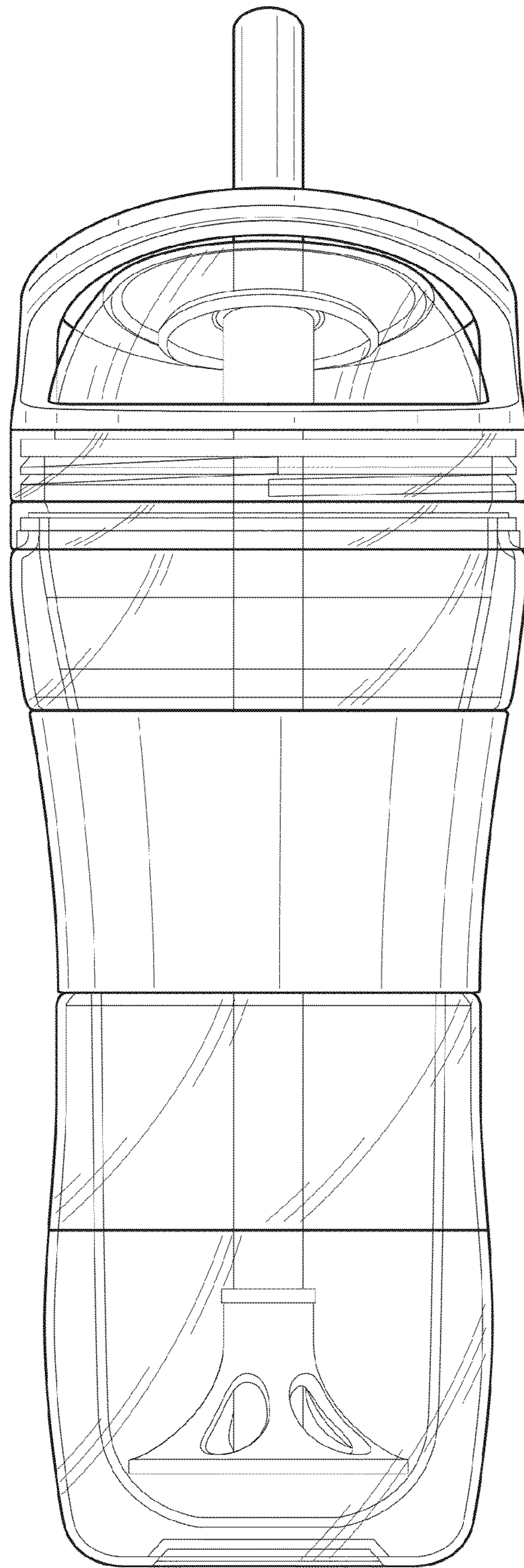


FIG. 3

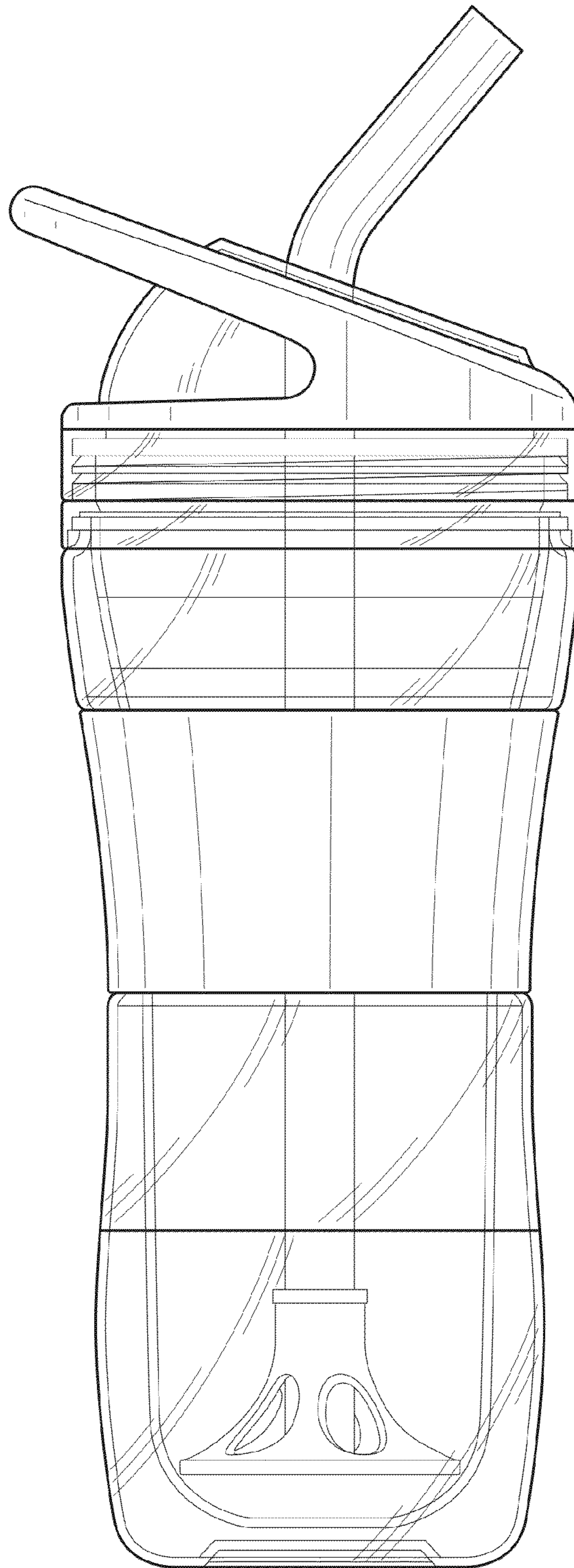


FIG. 4

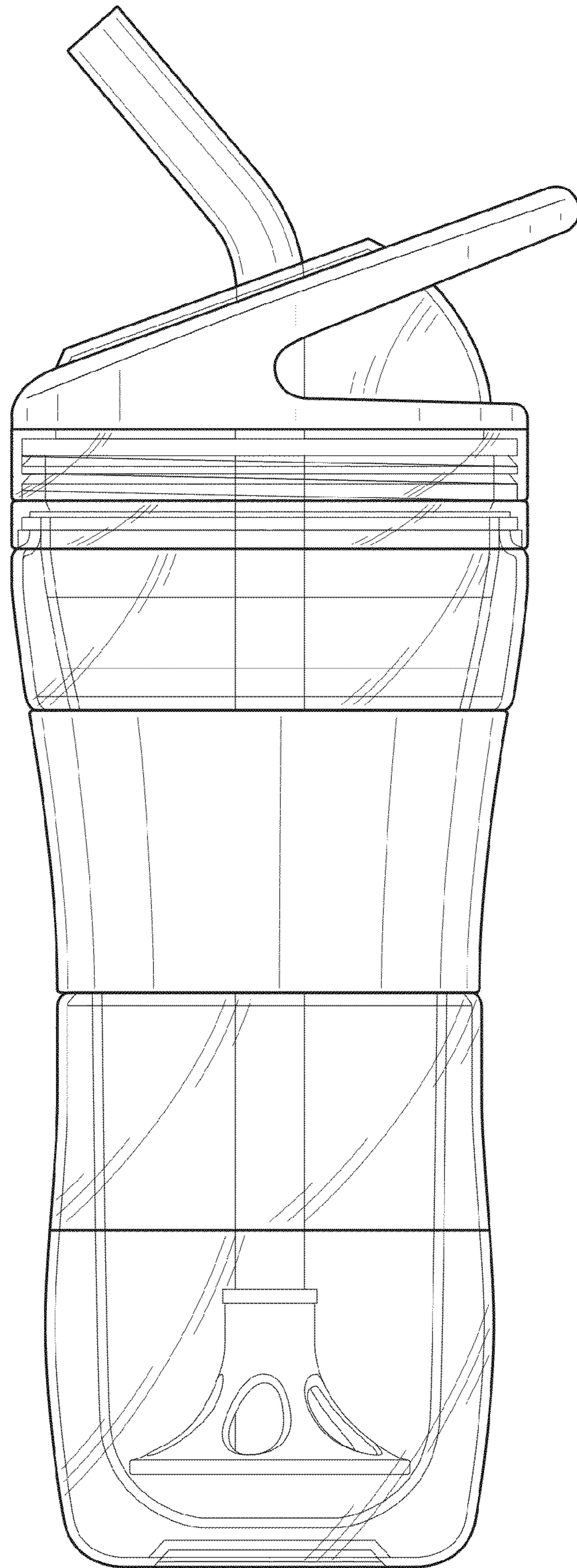


FIG. 5

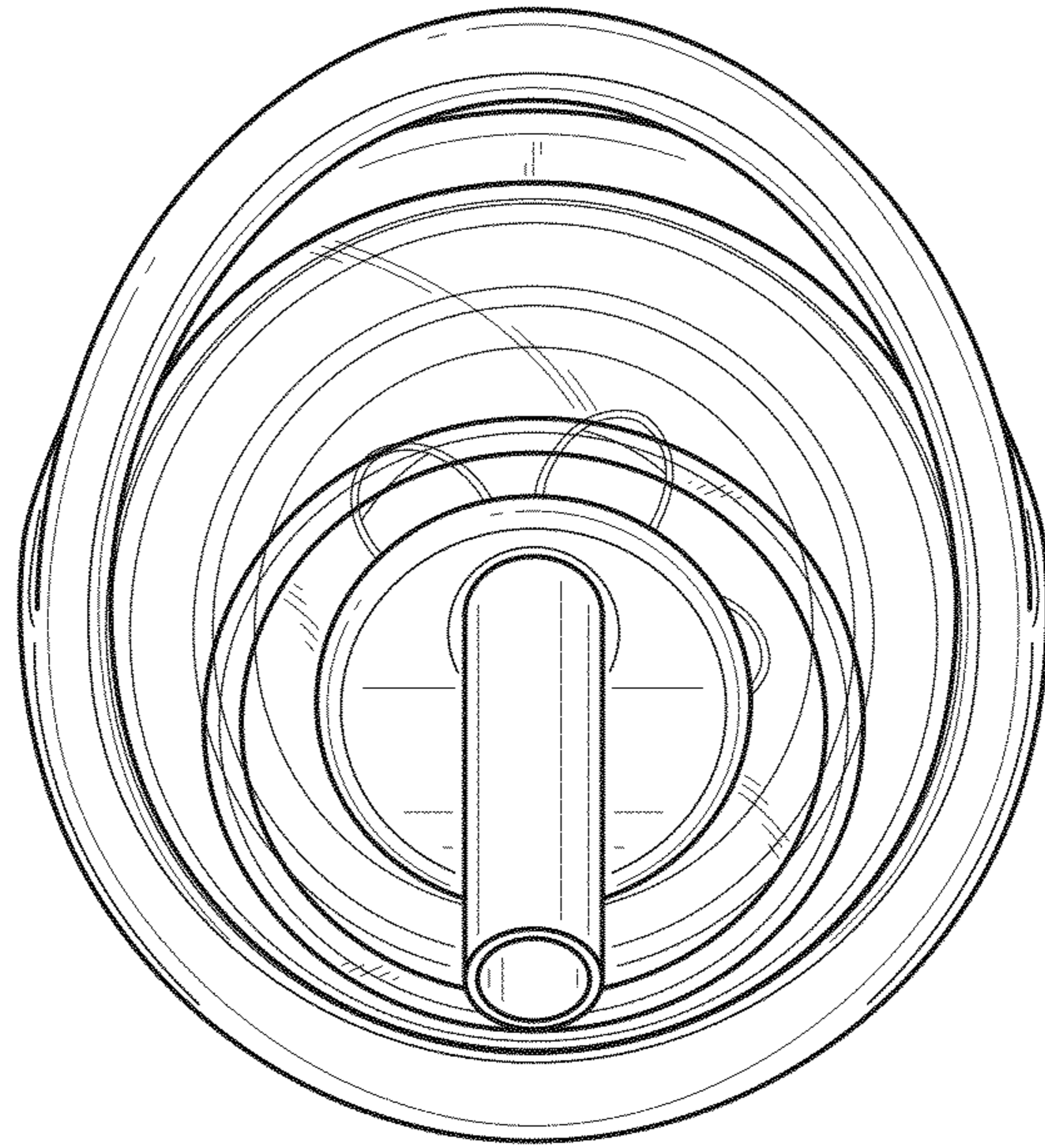


FIG. 6

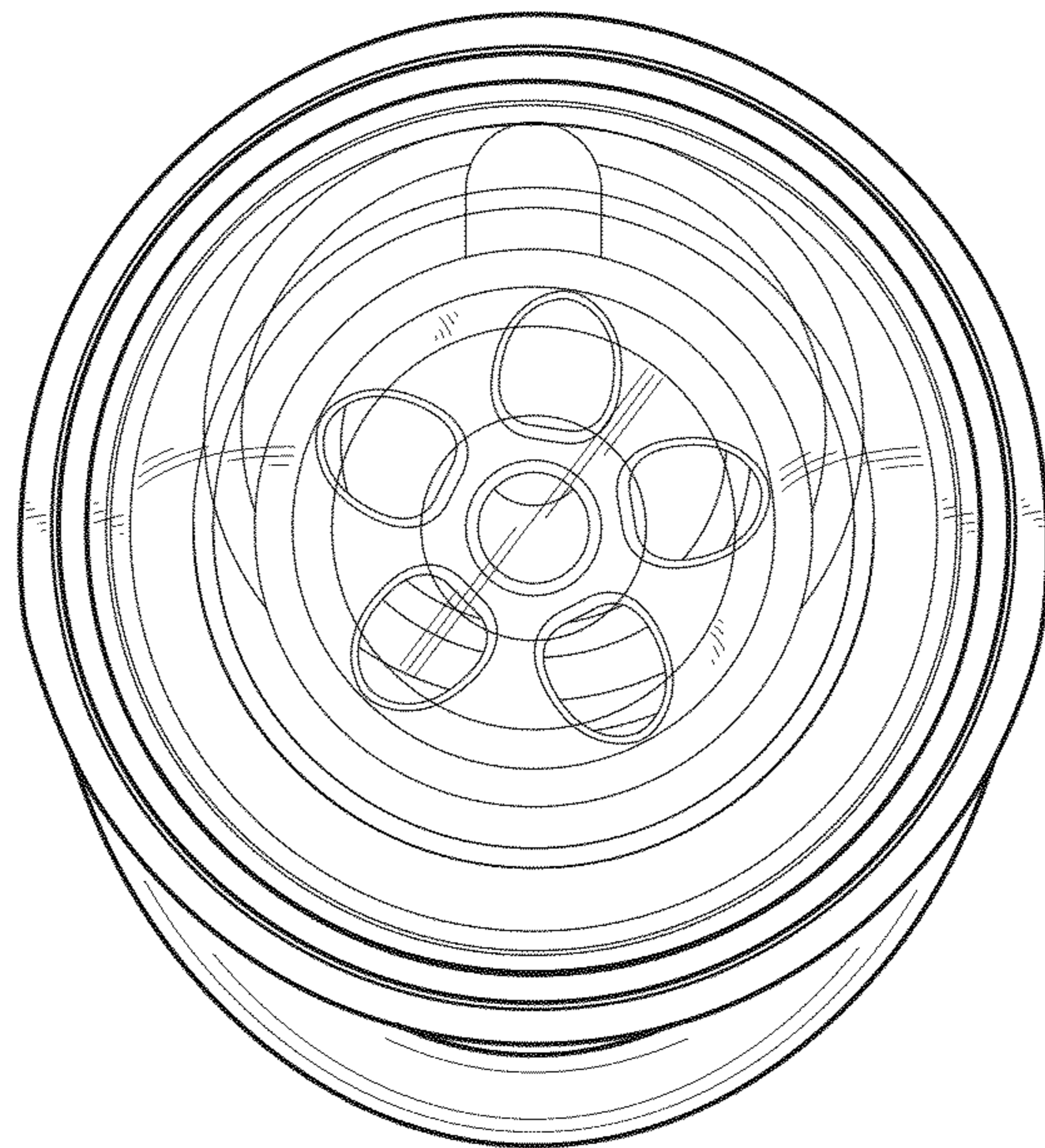


FIG. 7