



US00D742172S

(12) **United States Design Patent**
Dickson, Jr. et al.

(10) **Patent No.:** **US D742,172 S**
(45) **Date of Patent:** **** Nov. 3, 2015**

- (54) **BLENDER JAR WITH INTERNAL RIBS**
- (71) Applicant: **K-TEC, Inc.**, Orem, UT (US)
- (72) Inventors: **Thomas D. Dickson, Jr.**, Orem, UT (US); **David J. Throckmorton**, Mapleton, UT (US)
- (73) Assignee: **BLENDTEC, INC.**, Orem, UT (US)
- (**) Term: **14 Years**
- (21) Appl. No.: **29/486,923**
- (22) Filed: **Apr. 3, 2014**
- (51) **LOC (10) Cl.** **31-00**
- (52) **U.S. Cl.**
USPC **D7/413; D7/376; D7/378; D7/412**
- (58) **Field of Classification Search**
USPC D7/318, 372, 376–386, 412–413, 602, D7/629, 665–666, 669, 679, 693–694
CPC A21C 1/02; A21C 1/04; A23G 9/045; A23N 1/00; A23N 1/02; A47J 43/04; A47J 43/25; A47J 43/27; A47J 43/042; A47J 43/044; A47J 43/046; A47J 43/0716; A47J 43/075; A47J 43/0722; A47J 43/0727; B01F 3/00; B01F 3/0807; B01F 3/0853; B01F 13/0059; B01F 13/0064; B01F 15/00831; B02C 1/08; B02C 2/04; B02C 4/42; B02C 4/142; B02C 4/143; B02C 4/423; B02C 13/1835; B28C 5/10; B28C 5/12; B28C 5/14; B28C 5/16
See application file for complete search history.

(56) **References Cited**

U.S. PATENT DOCUMENTS

D163,117 S	*	5/1951	Hobbs	D7/318
3,368,800 A	*	2/1968	Barnard, Jr.	241/282.2
D227,535 S	*	7/1973	Grimes	D7/318
D228,698 S	*	10/1973	Barnard et al.	D7/378

4,822,175 A		4/1989	Barnard et al.	
D305,973 S		2/1990	Barnard et al.	
D309,399 S		7/1990	Barnard et al.	
D309,400 S		7/1990	Barnard	
4,946,287 A		8/1990	Barnard et al.	
5,102,015 A		4/1992	Barnard et al.	
D336,590 S		6/1993	Barnard	
5,302,021 A		4/1994	Jennett et al.	
5,655,834 A		8/1997	Dickson	
D480,915 S	*	10/2003	Kolar et al. D7/413
D488,347 S		4/2004	Anton et al.	
D495,925 S		9/2004	Ulanski et al.	
6,811,303 B2	*	11/2004	Dickson, Jr. 366/206
6,979,117 B2		12/2005	Dickson, Jr.	
D521,315 S		5/2006	Boozer et al.	
D521,316 S		5/2006	Katz et al.	

(Continued)

OTHER PUBLICATIONS

PCT International Search Report for International Application No. PCT/US2014/059084, mailed Jan. 14, 2015 (2 pp.).

Primary Examiner — Ricky Pham
(74) *Attorney, Agent, or Firm* — Holland & Hart

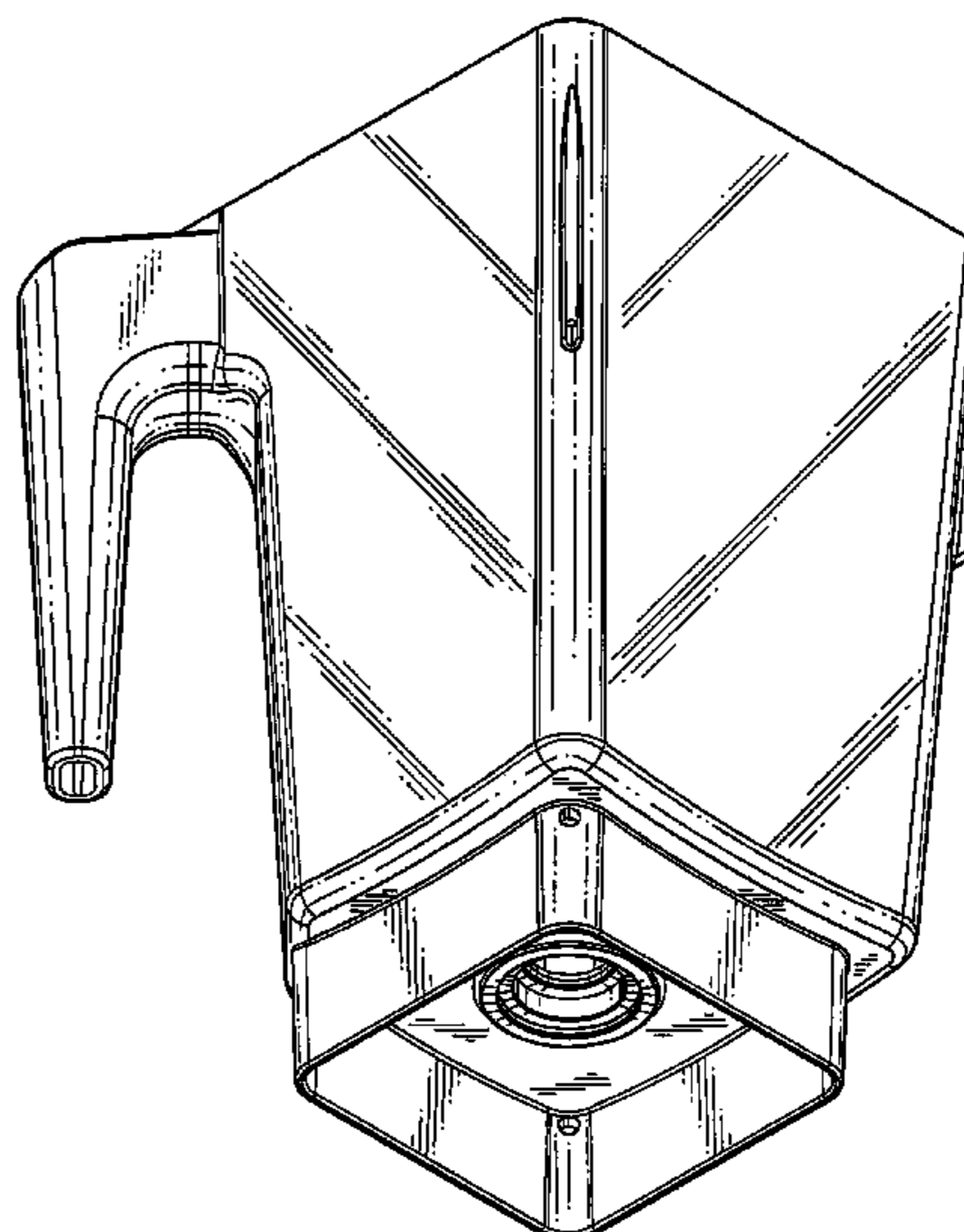
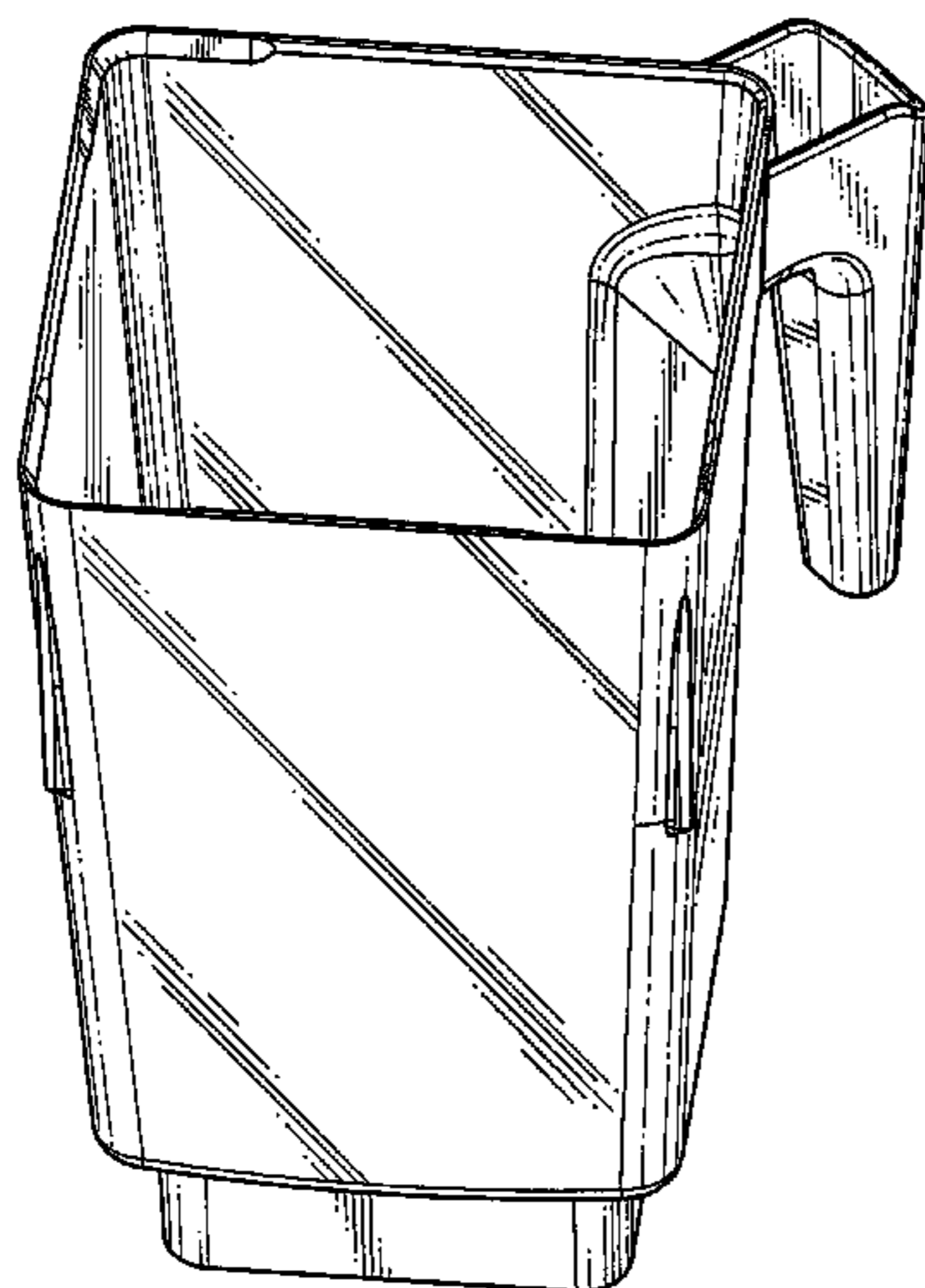
(57) **CLAIM**

The ornamental design for a “blender jar with internal ribs” as shown and described.

DESCRIPTION

FIG. 1 is a top perspective view of a “blender jar with internal ribs” according to the present invention;
 FIG. 2 is a bottom perspective view thereof;
 FIG. 3 is a top, partial perspective view thereof;
 FIG. 4 is a bottom, partial perspective view thereof;
 FIG. 5 is a front view thereof;
 FIG. 6 is a right side elevation view thereof;
 FIG. 7 is a left side elevation view thereof;
 FIG. 8 is a rear view thereof;
 FIG. 9 is a top view thereof; and,
 FIG. 10 is a bottom view thereof.

1 Claim, 8 Drawing Sheets



(56)

References Cited

U.S. PATENT DOCUMENTS

7,063,456 B2 6/2006 Miller et al.
 D528,363 S * 9/2006 Ulanski et al. D7/413
 D538,595 S * 3/2007 White et al. D7/413
 7,267,478 B2 9/2007 Miller et al.
 7,281,842 B2 * 10/2007 Dickson, Jr. 366/205
 7,350,963 B2 4/2008 Williams et al.
 D587,526 S * 3/2009 Barnard et al. D7/413
 D588,406 S * 3/2009 Ulanski D7/413
 D621,656 S * 8/2010 Ulanski et al. D7/413
 D637,862 S * 5/2011 Fouquet D7/378
 D647,367 S * 10/2011 Audette et al. D7/413
 8,109,668 B2 2/2012 Garman et al.

D662,359 S * 6/2012 Boozer et al. D7/413
 D664,808 S * 8/2012 Dickson et al. D7/413
 D678,726 S * 3/2013 Palermo et al. D7/413
 D684,818 S * 6/2013 Lee D7/413
 8,550,695 B2 10/2013 Conti
 D705,606 S * 5/2014 Coakley et al. D7/413
 8,721,164 B2 * 5/2014 Audette 366/205
 8,753,004 B2 6/2014 Miller
 D709,326 S * 7/2014 Thai D7/413
 2005/0122837 A1 6/2005 Bravard et al.
 2005/0258197 A1 * 11/2005 Rukavina et al. 222/465.1
 2006/0261066 A1 * 11/2006 Boozer et al. 220/254.7
 2009/0238034 A1 * 9/2009 Ulanski 366/341
 2012/0199682 A1 8/2012 Lee et al.

* cited by examiner

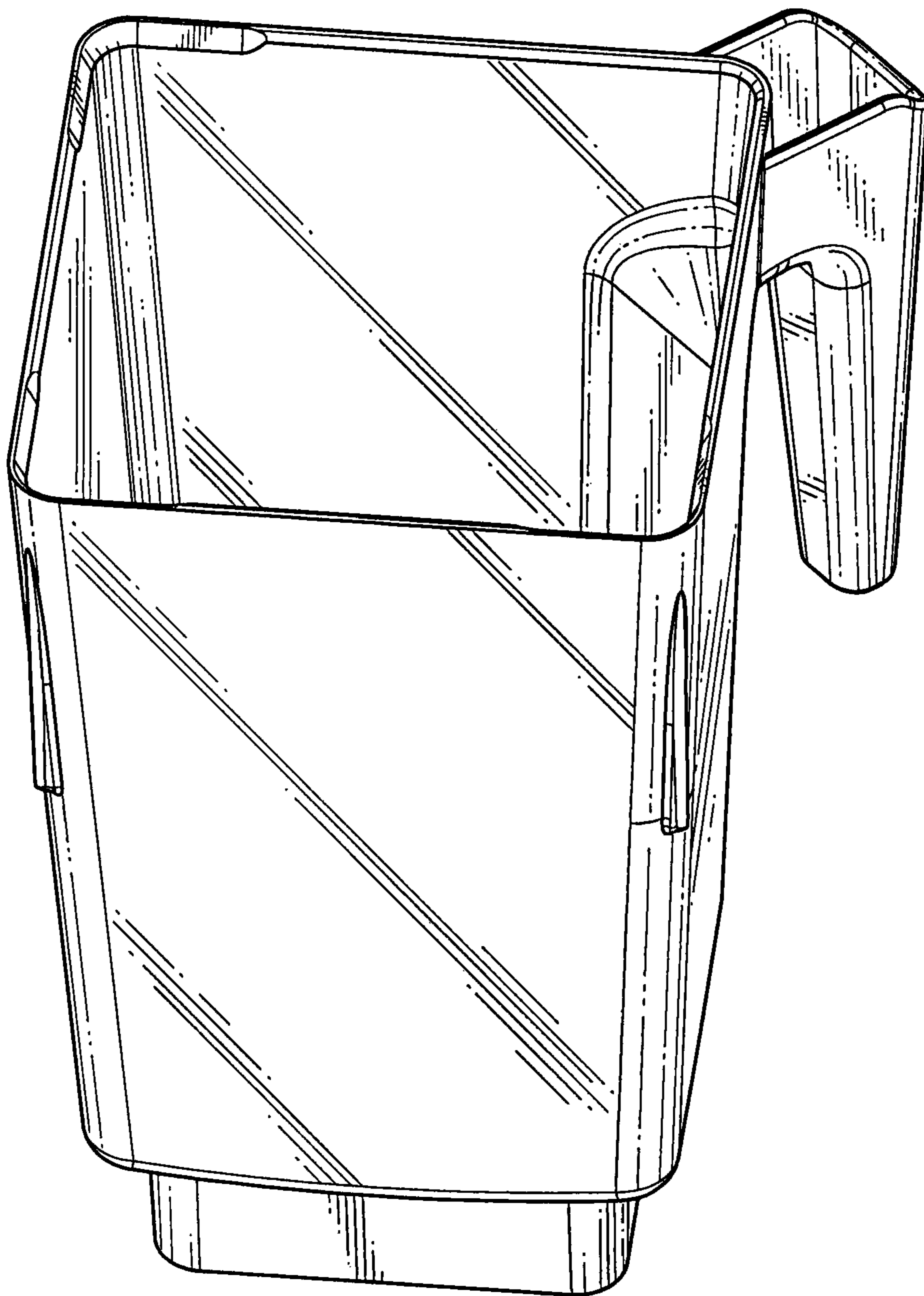


FIG. 1

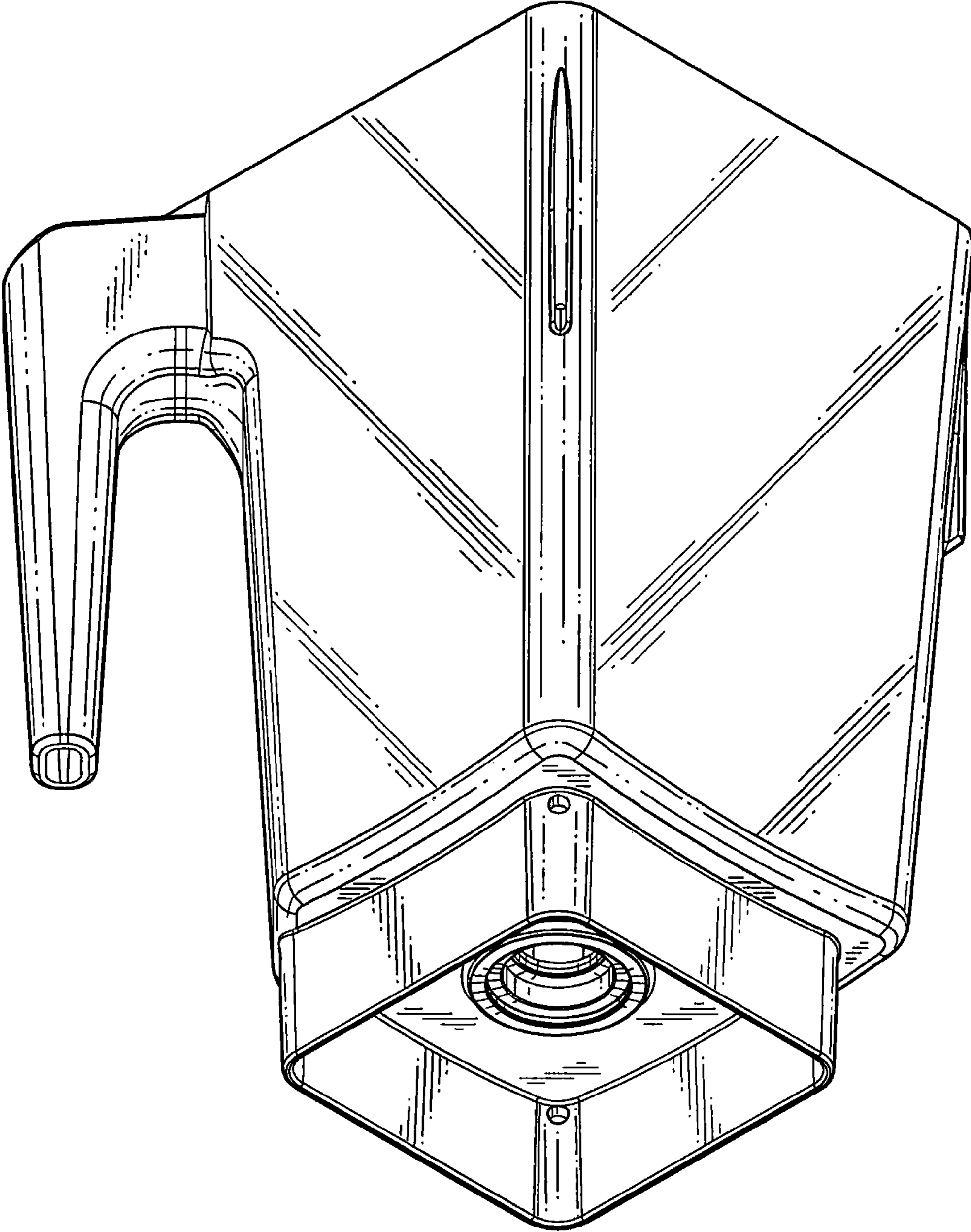


FIG. 2

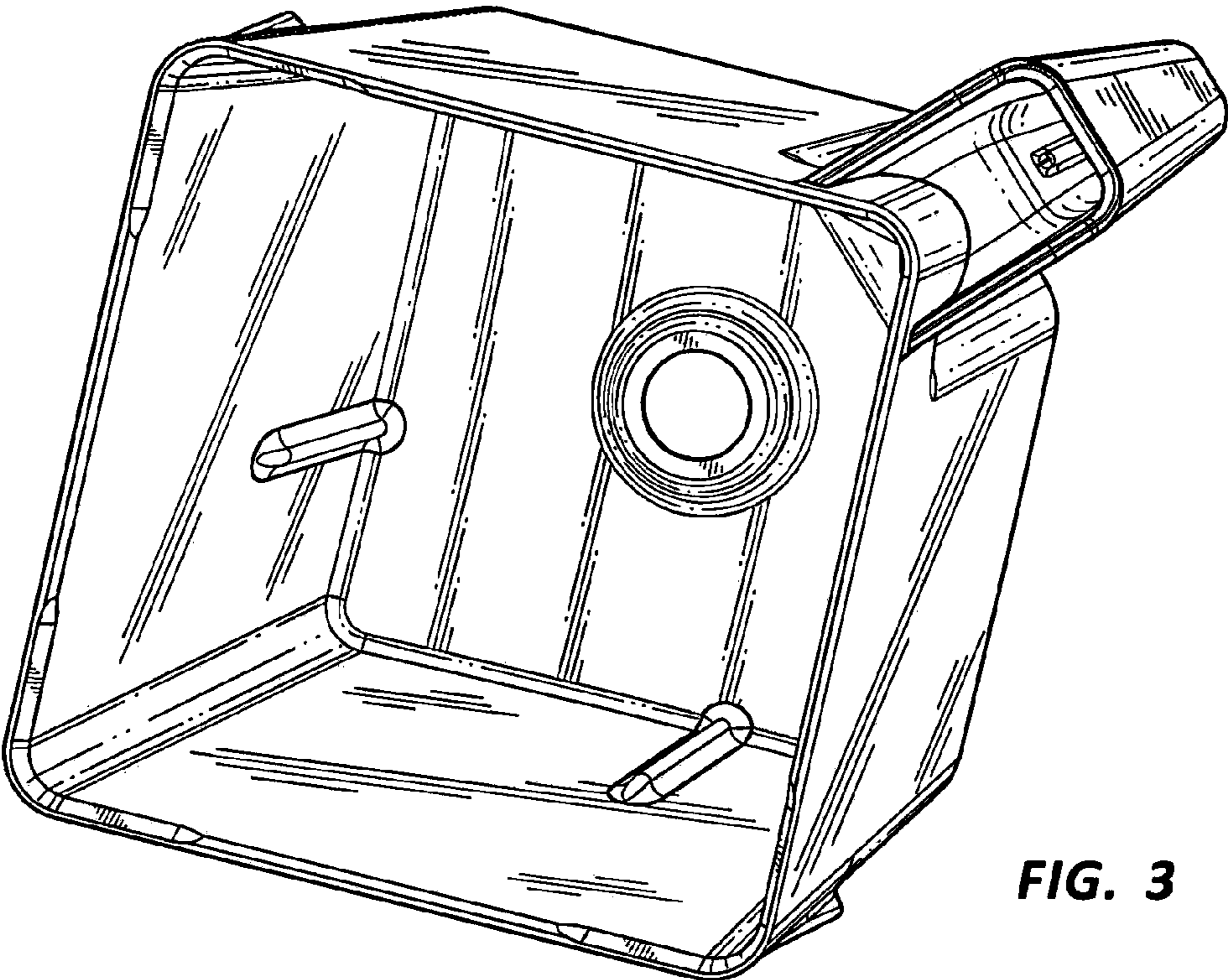


FIG. 3

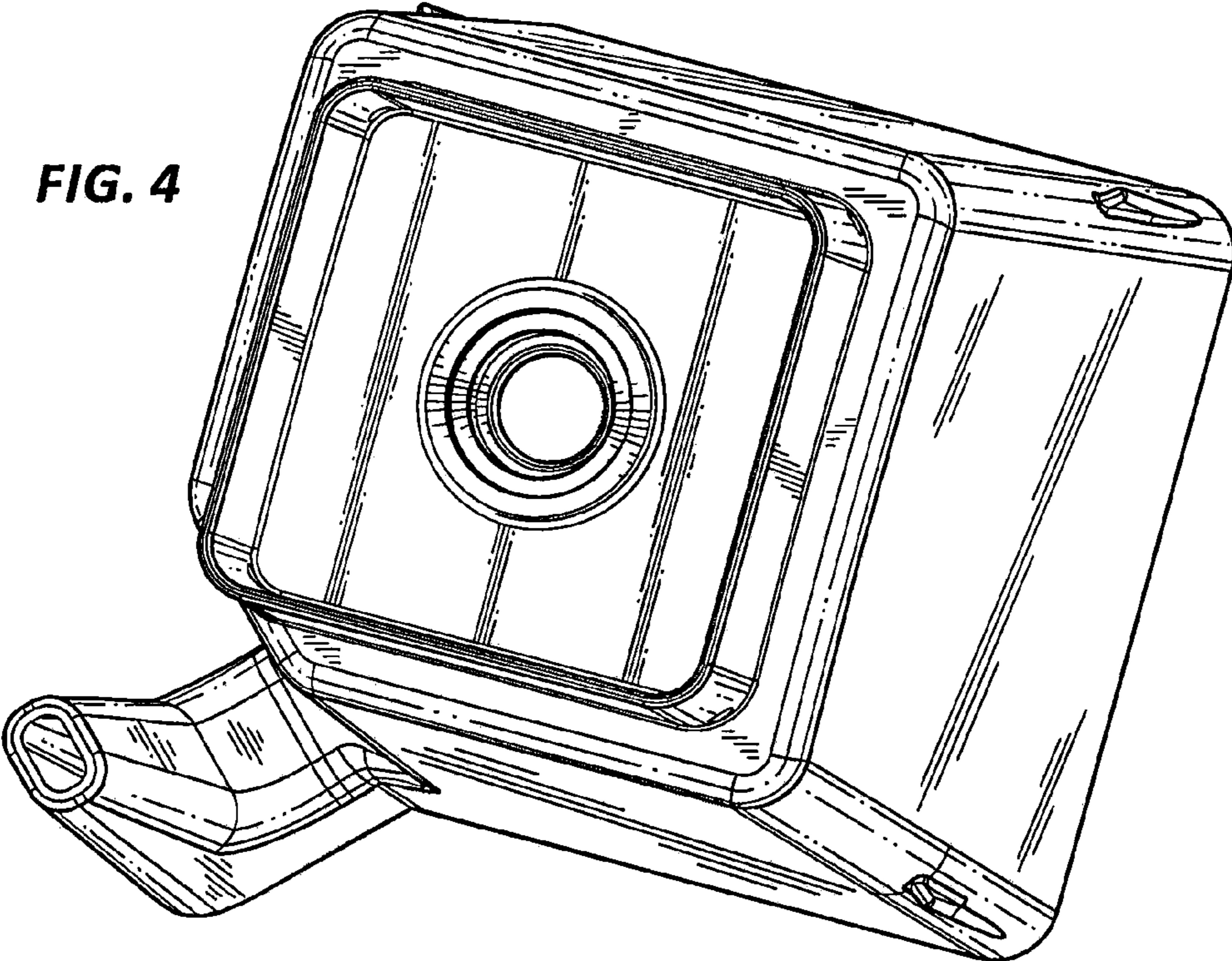


FIG. 4

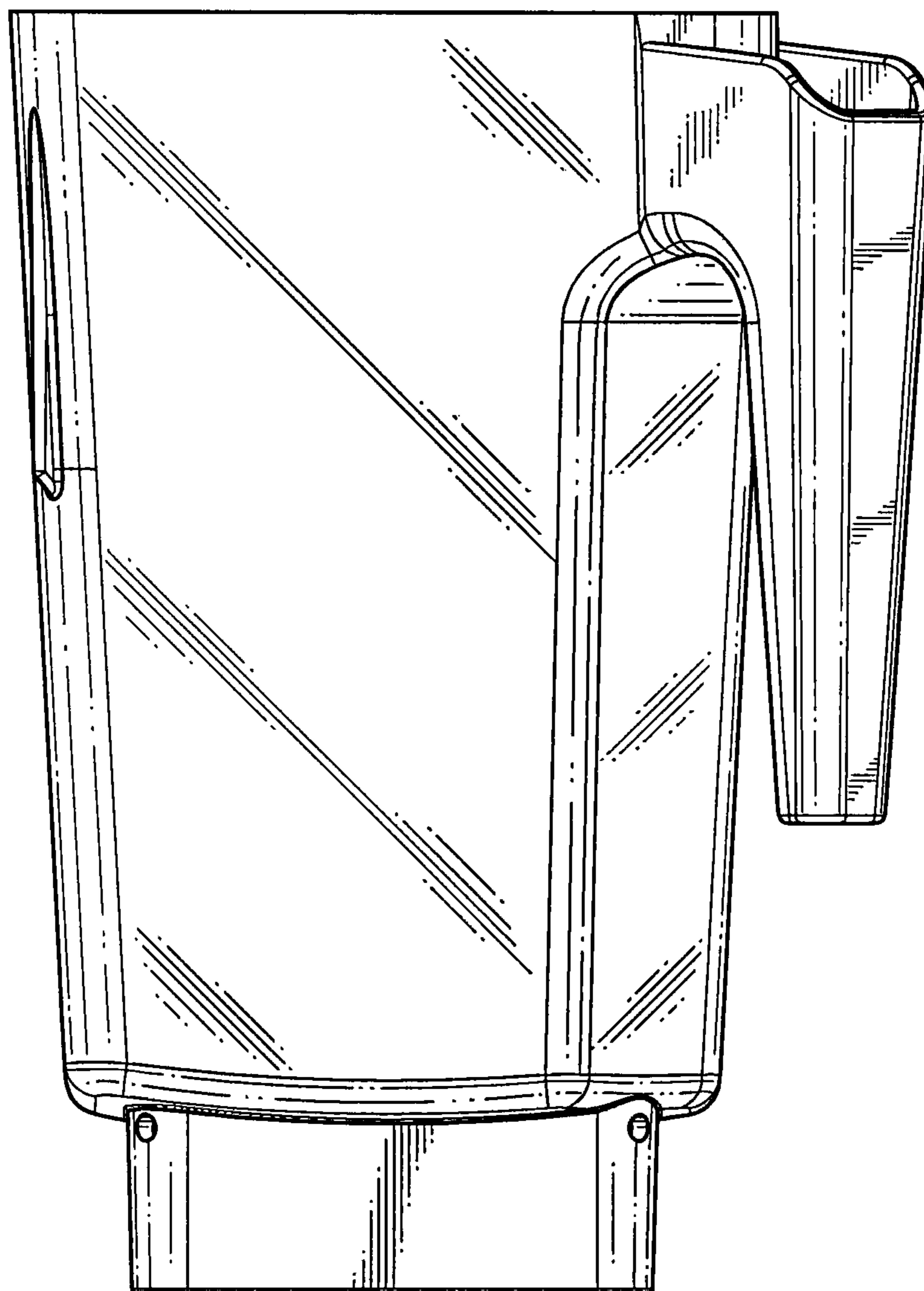


FIG. 5

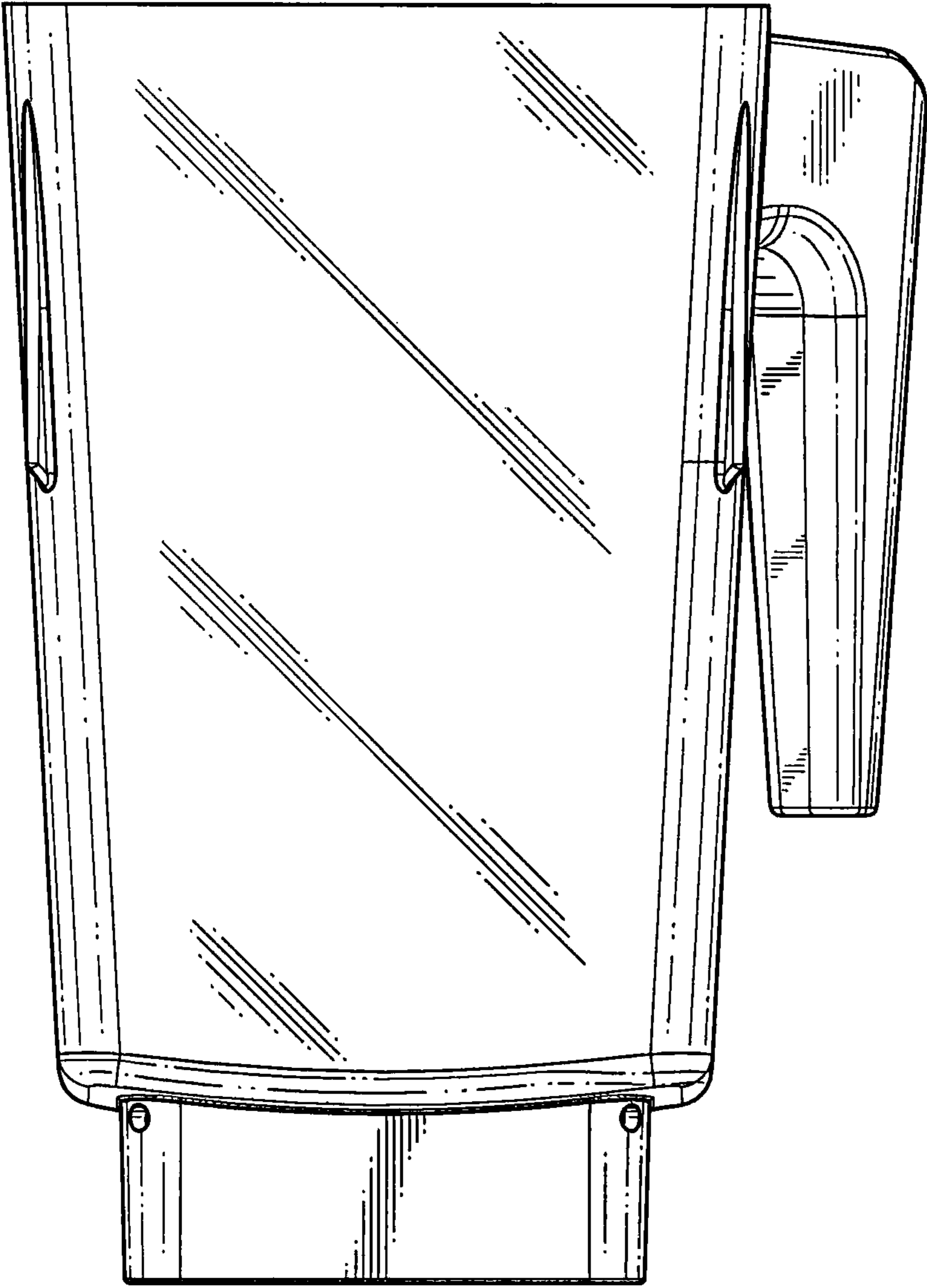


FIG. 6

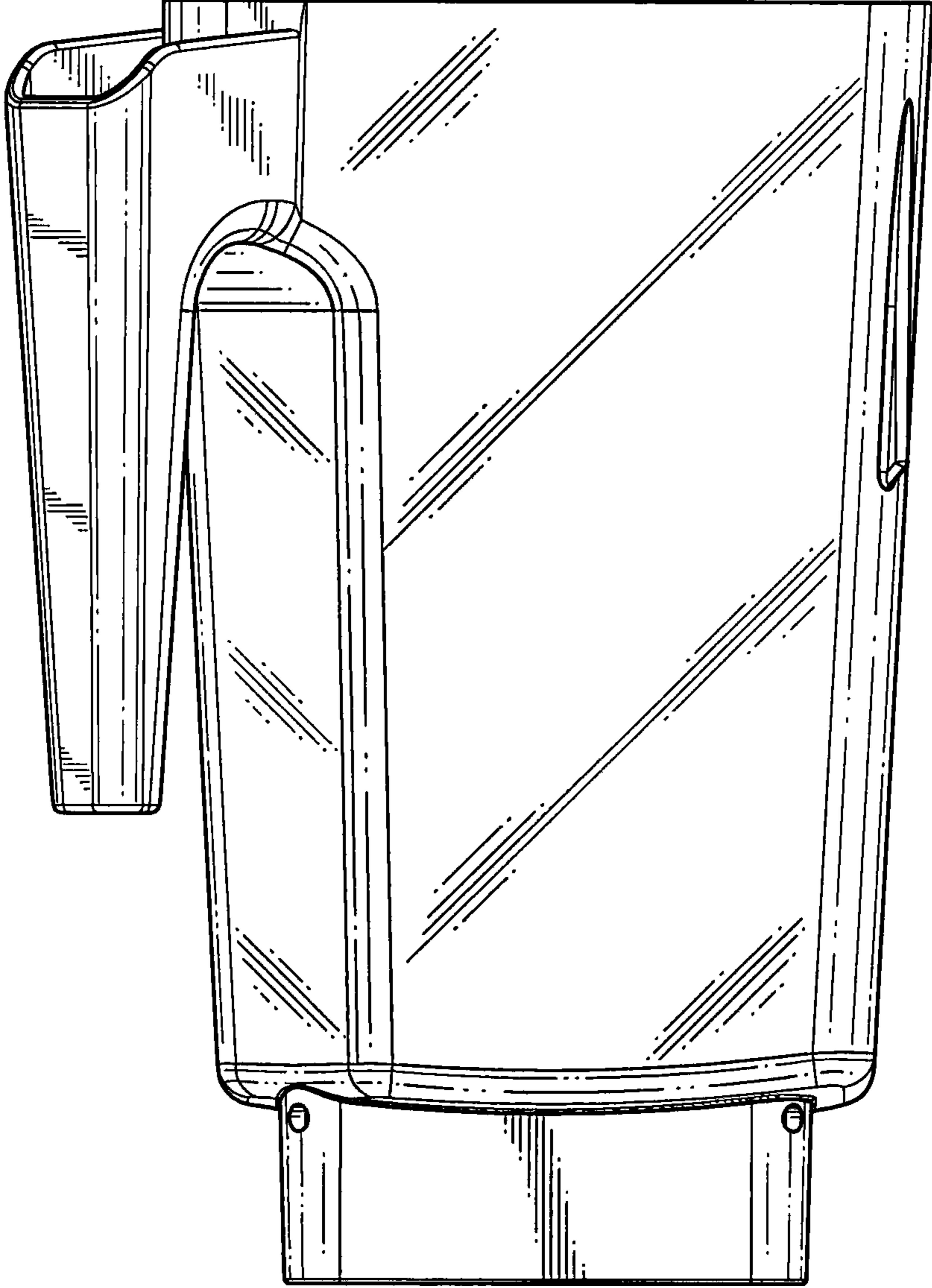


FIG. 7

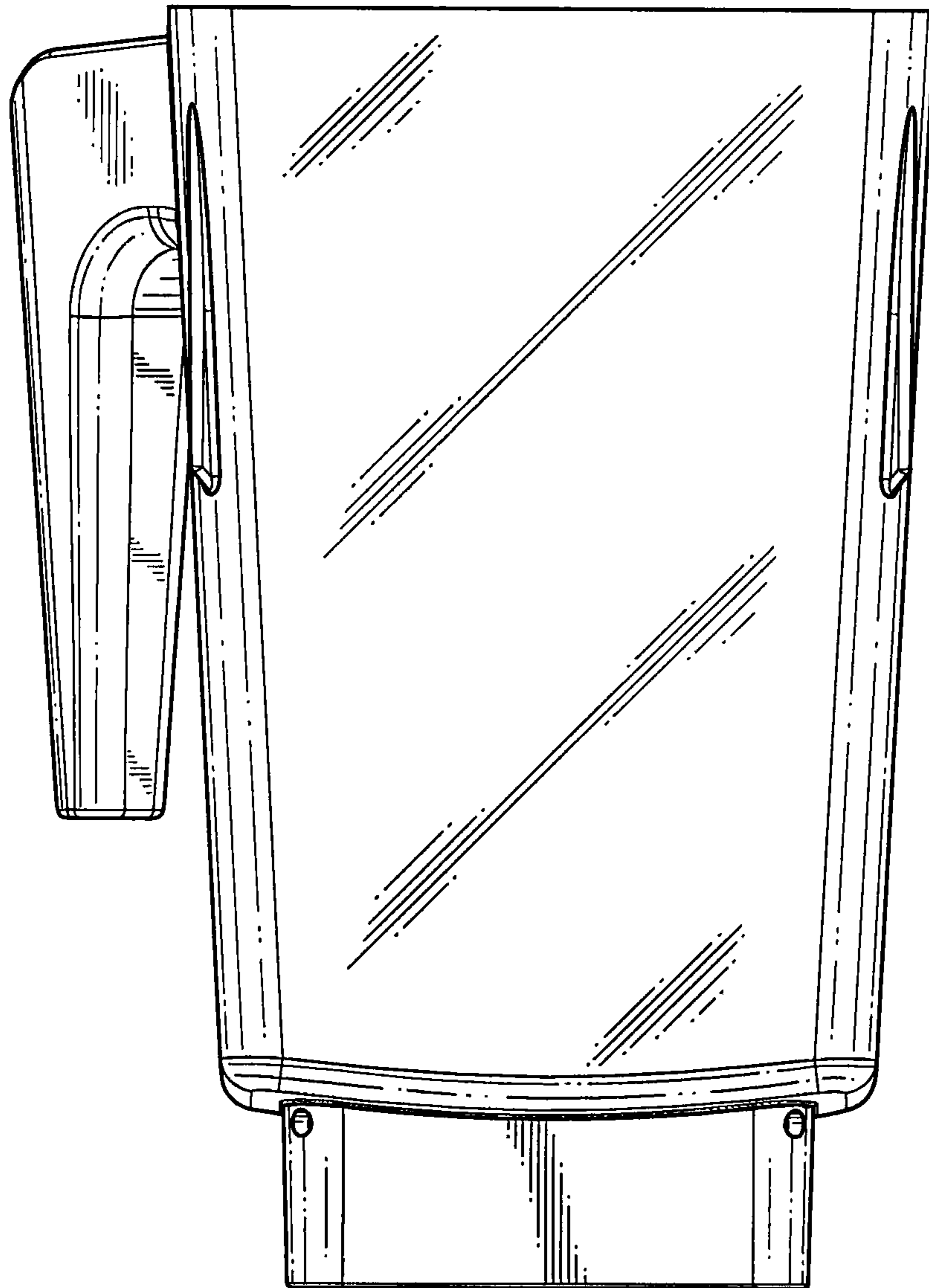


FIG. 8

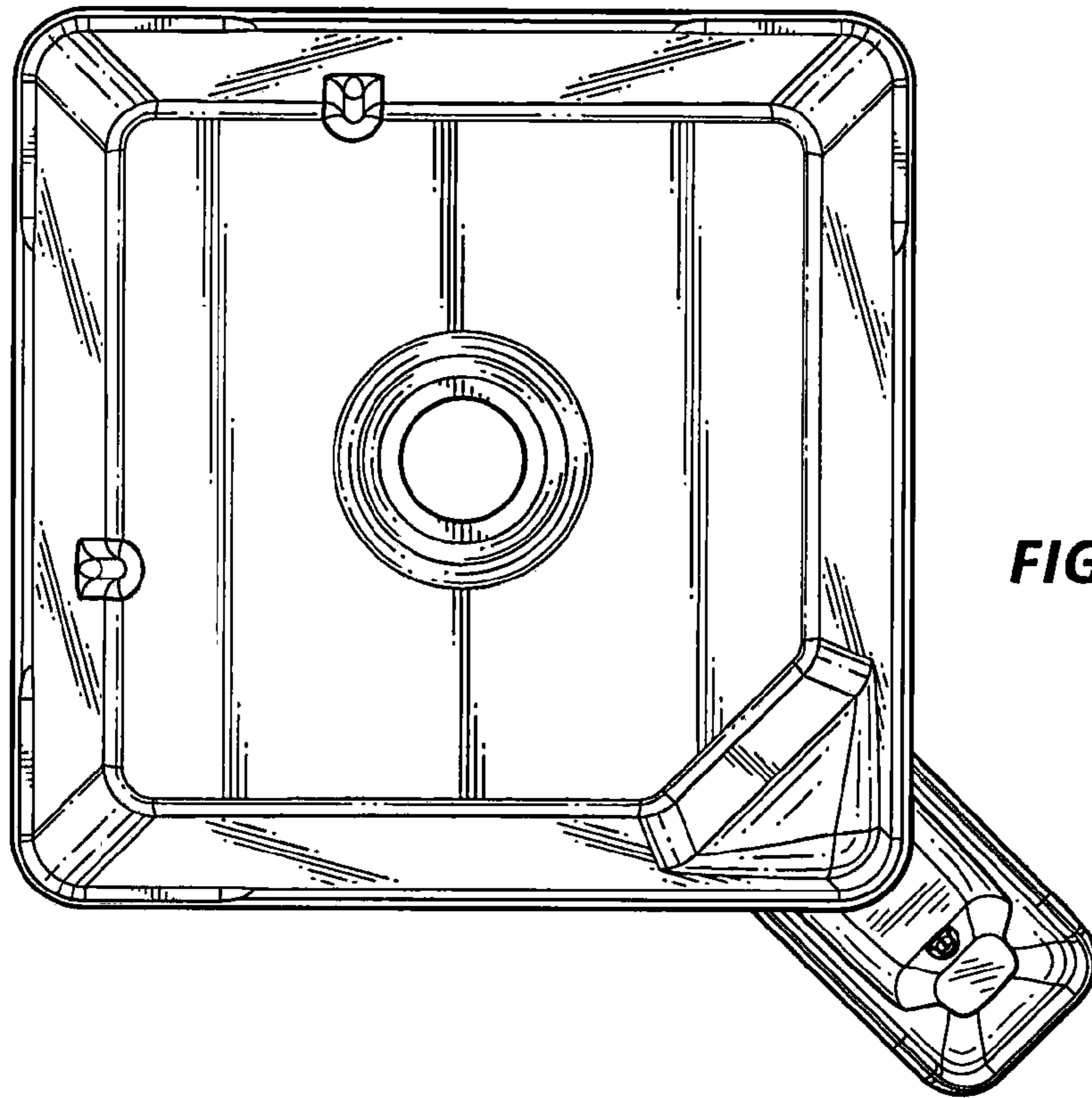


FIG. 9

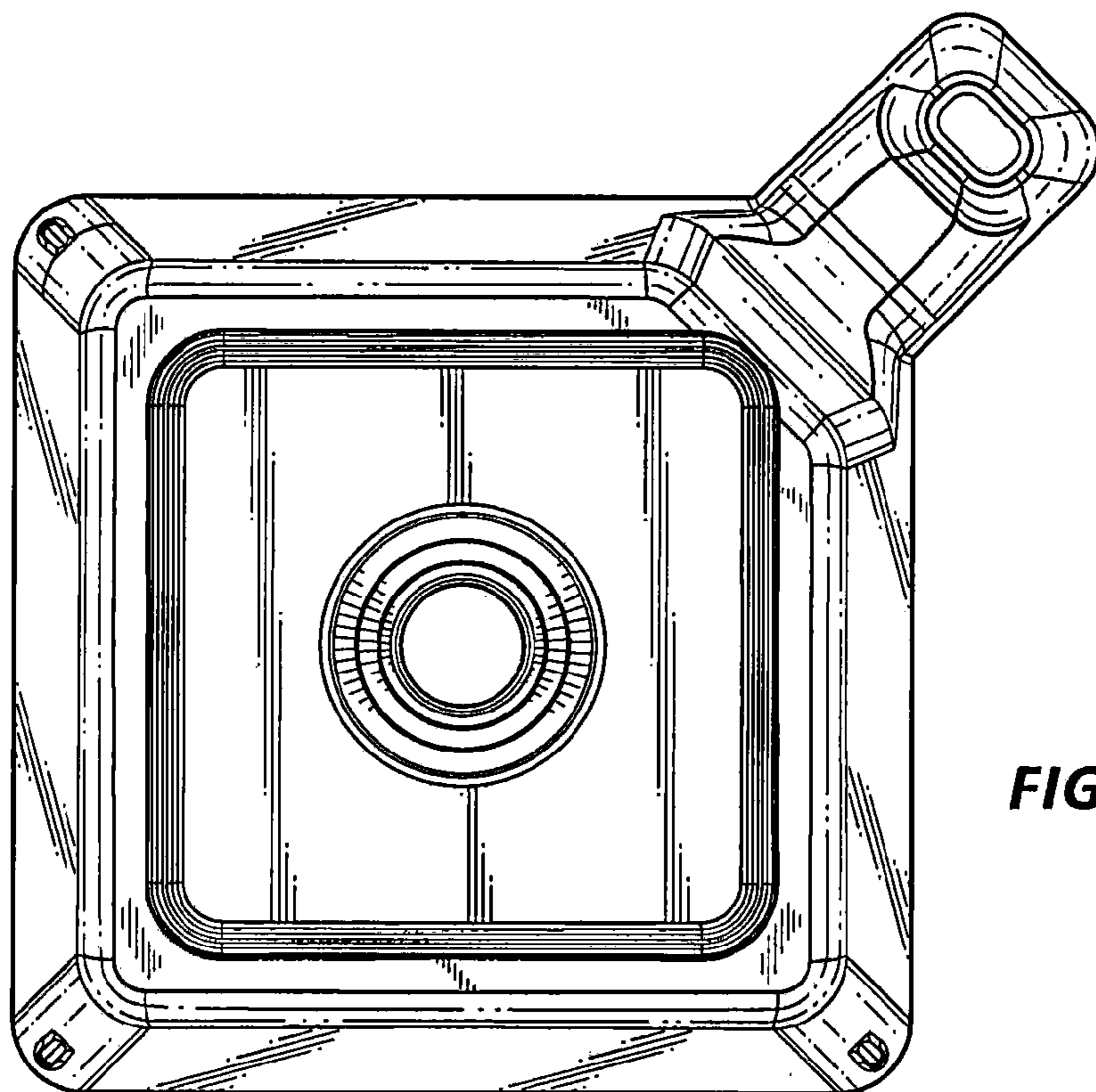


FIG. 10