



US00D742171S

(12) **United States Design Patent**
Conti

(10) **Patent No.:** **US D742,171 S**

(45) **Date of Patent:** **** Nov. 3, 2015**

(54) **STIRRING AND FLIPPING BLADE**

B02C 1/08; B02C 2/04; B02C 4/42; B02C 4/142; B02C 4/143; B02C 4/423; B02C

(71) Applicant: **Whirlpool Corporation**, Benton Harbor, MI (US)

13/1835; B28C 5/10; B28C 5/12; B28C 5/14; B28C 5/16

(72) Inventor: **Michael P. Conti**, St. Joseph, MI (US)

See application file for complete search history.

(73) Assignee: **Whirlpool Corporation**, Benton Harbor, MI (US)

(56) **References Cited**

(**) Term: **14 Years**

U.S. PATENT DOCUMENTS

(21) Appl. No.: **29/483,201**

2,584,260 A * 2/1952 Custer 473/591
4,260,267 A * 4/1981 Walton 366/343
5,316,443 A * 5/1994 Smith 416/197 R

(22) Filed: **Feb. 26, 2014**

(Continued)

Primary Examiner — Ricky Pham

Related U.S. Application Data

(63) Continuation of application No. 13/783,193, filed on Mar. 1, 2013.

(57) **CLAIM**

I claim the ornamental design for a stirring and flipping blade, as shown and described.

(51) **LOC (10) Cl.** **31-00**

(52) **U.S. Cl.**
USPC **D7/412; D7/376; D7/378; D7/384**

DESCRIPTION

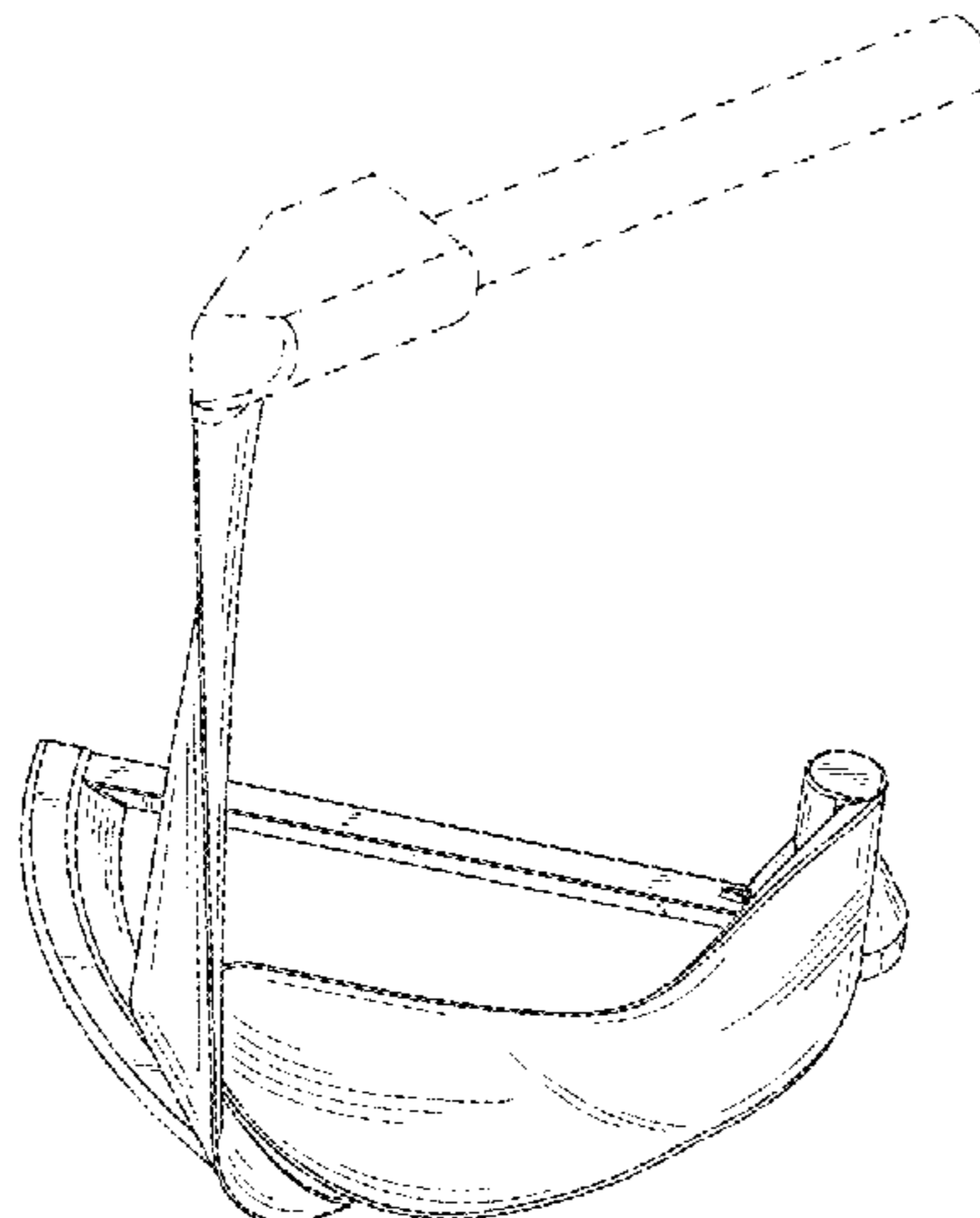
(58) **Field of Classification Search**

USPC D7/372, 376–386, 402, 412–413, 602, D7/629, 665–666, 669, 679, 693–694; D15/29, 138; D23/200; D24/220; 99/509–511; 215/307; 220/563; 241/92, 98, 101.01–101.2, 166–169.1, 241/274–278.2, 285.1–285.3, 291, 292.1; 261/84; 366/64–65, 97–98, 100, 130, 366/197–201, 205–207, 219–220, 310, 366/328.3, 330.1, 330.3, 341–343; 416/197 R; 473/591
CPC A21C 1/02; A21C 1/04; A23N 1/00; A23N 1/02; A47J 43/04; A47J 43/25; A47J 43/27; A47J 43/042; A47J 43/044; A47J 43/046; A47J 43/075; A47J 43/0722; A47J 43/0727; A63B 67/06; B01F 3/00; B01F 3/0478; B01F 3/0807; B01F 3/0853; B01F 7/001; B01F 7/00208; B01F 7/00275; B01F 7/00358; B01F 7/00341; B01F 7/00475; B01F 7/00633; B01F 13/0059; B01F 13/0064;

FIG. 1 is a front perspective view of the stirring and flipping blade of the present invention;
FIG. 2 is a rear perspective view of the stirring and flipping blade of the present invention;
FIG. 3 is a front elevation view of the stirring and flipping blade of the present invention;
FIG. 4 is a rear elevation view of the stirring and flipping blade of the present invention;
FIG. 5 is a right-side elevation view of the stirring and flipping blade of the present invention;
FIG. 6 is a left-side elevation view of the stirring and flipping blade of the present invention;
FIG. 7 is a top plan view of the stirring and flipping blade of the present invention; and,
FIG. 8 is a bottom plan view of the stirring and flipping blade of the present invention.

The broken lines in the figures are for contextual purposes or show the environment and form no part of the claimed design.

1 Claim, 4 Drawing Sheets



(56)

References Cited

U.S. PATENT DOCUMENTS

5,326,168	A *	7/1994	Miura	366/343	D601,850	S *	10/2009	Ikuta	D7/412
D432,621	S *	10/2000	Etschel et al.	D23/200	7,708,257	B2 *	5/2010	Schmidt et al.	261/84
6,334,705	B1 *	1/2002	Weetman	366/330.1	D618,056	S *	6/2010	Sly	D7/402
6,612,733	B2 *	9/2003	Schmidt et al.	366/310	D664,262	S *	7/2012	Khan	D24/220
6,866,414	B2 *	3/2005	Kupidlowski	366/330.3	D664,393	S *	7/2012	Dietz	D7/412
D503,588	S *	4/2005	Feil	D7/412	D681,690	S *	5/2013	Xia et al.	D15/29
7,114,844	B2 *	10/2006	Weetman	366/328.3	D696,070	S *	12/2013	Audette	D7/412
7,296,925	B2 *	11/2007	Himmelsbach et al. ...	366/330.3	D700,013	S *	2/2014	Chu	D7/412
D566,143	S *	4/2008	Rosso et al.	D15/138	D706,581	S *	6/2014	Pendleton et al.	D7/412
D576,186	S *	9/2008	Rosso et al.	D15/138	D708,902	S *	7/2014	Audette	D7/412
					D709,324	S *	7/2014	Guo et al.	D7/412
					2009/0114616	A1 *	5/2009	White et al.	215/307
					2009/0134173	A1 *	5/2009	Liang et al.	220/563

* cited by examiner

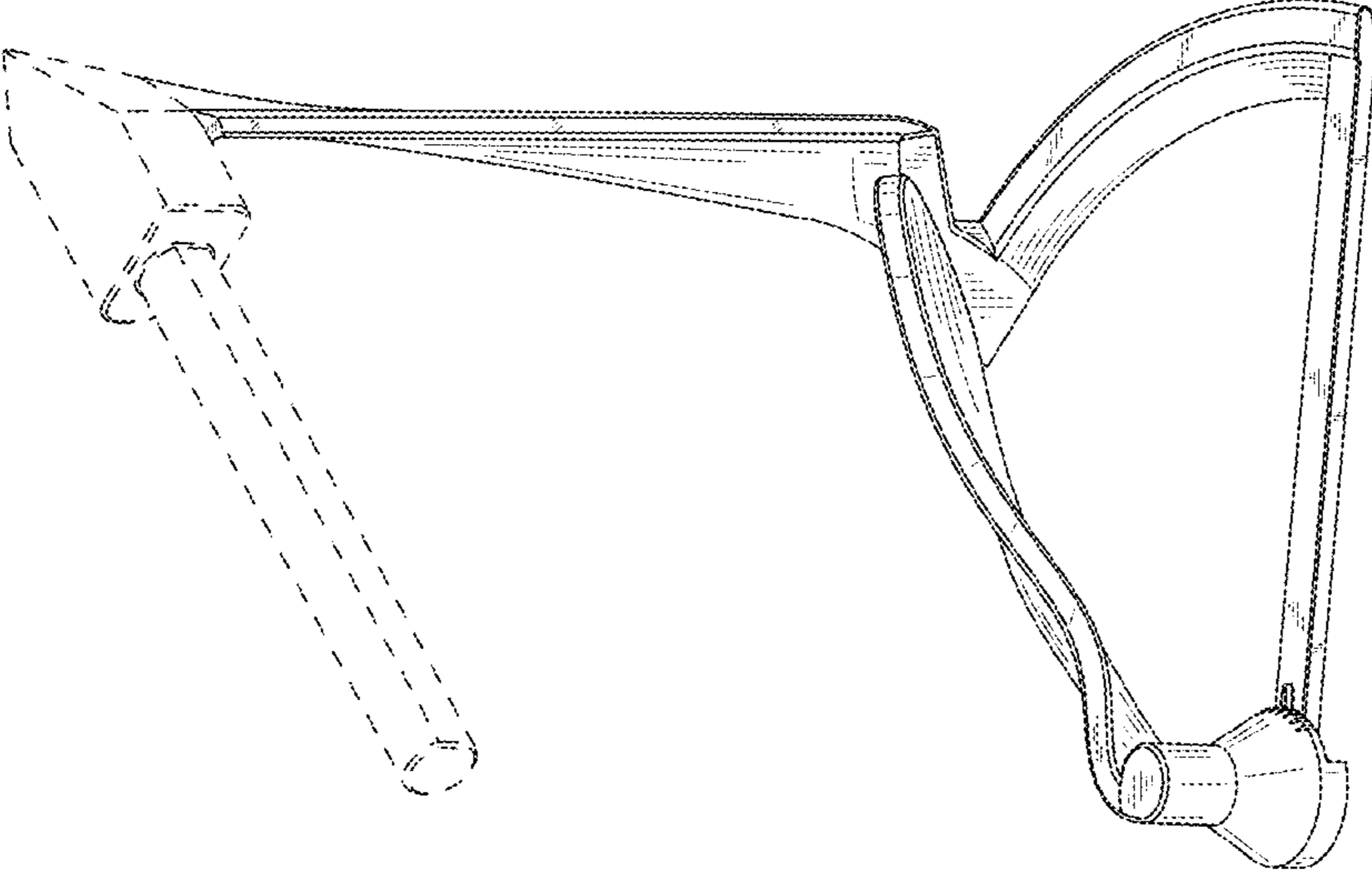


FIG. 2

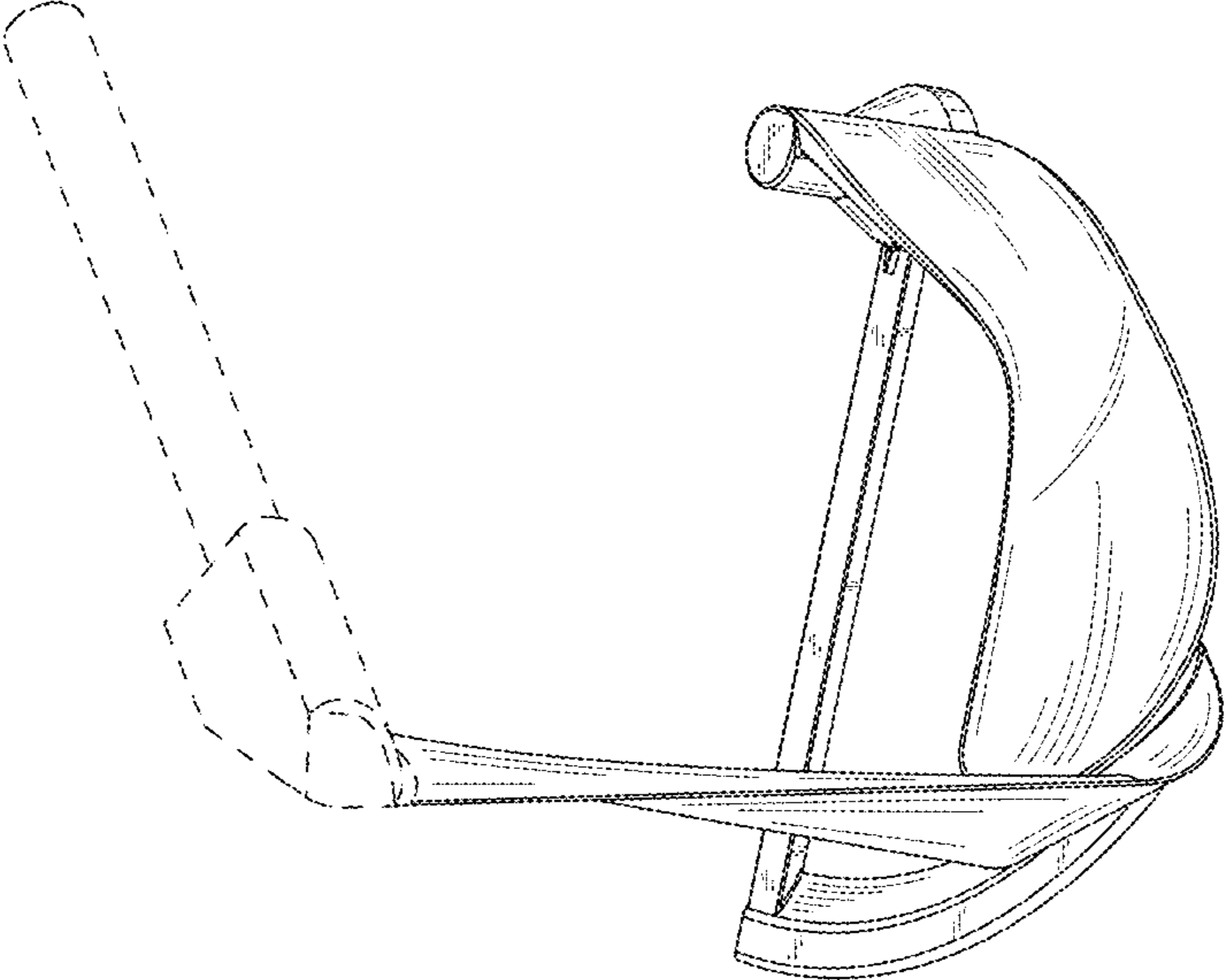


FIG. 1

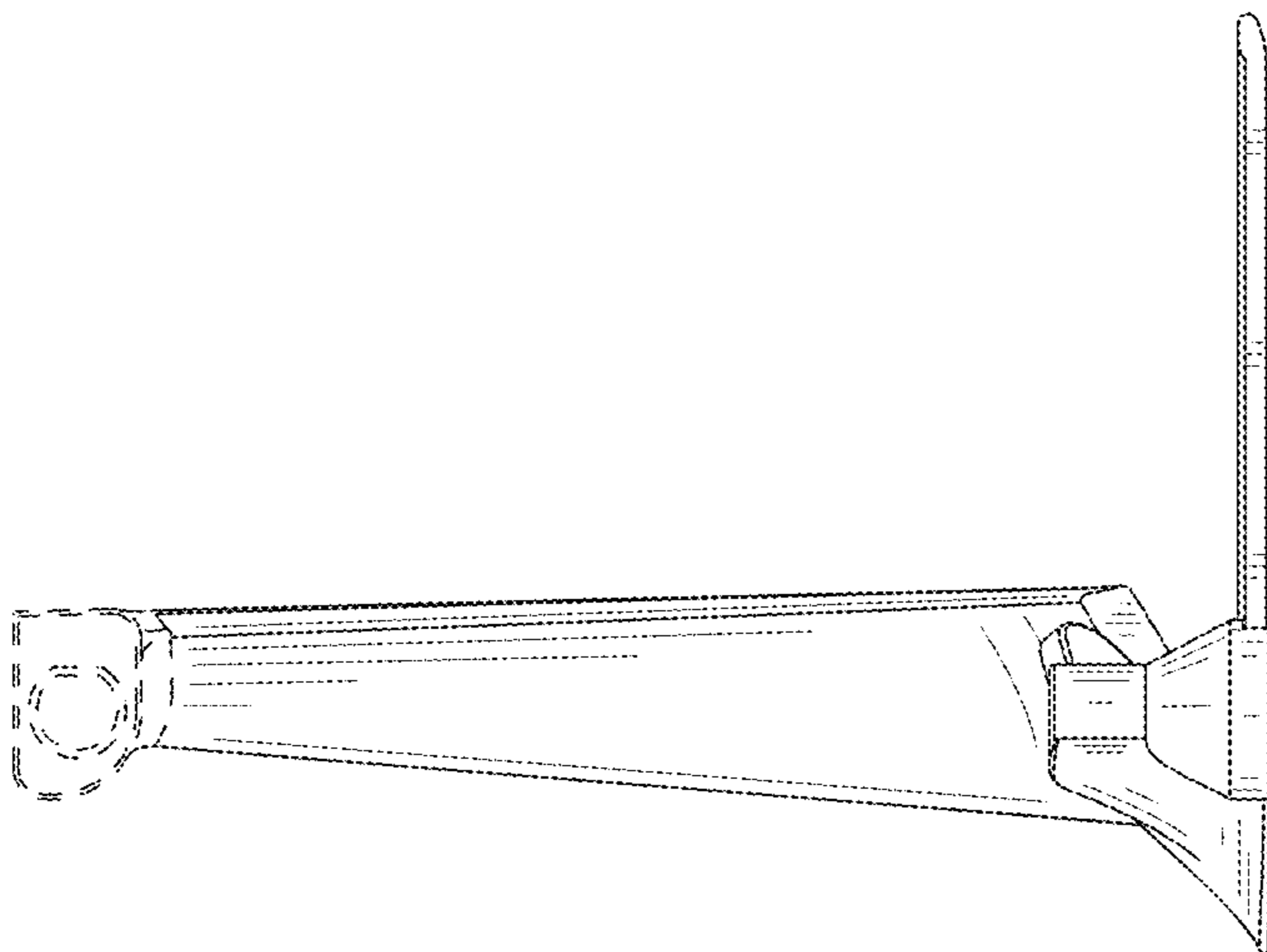


FIG. 3

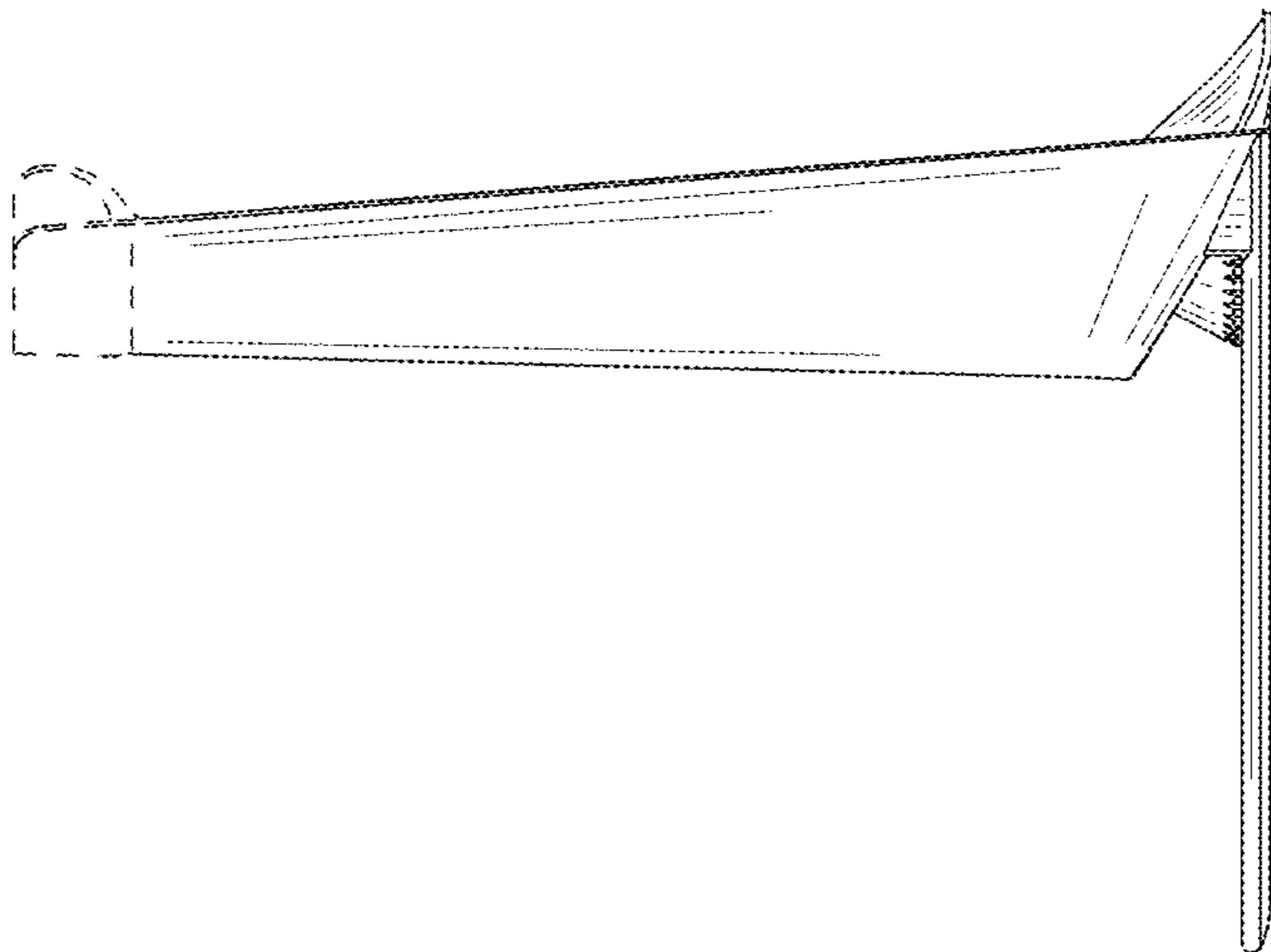


FIG. 4

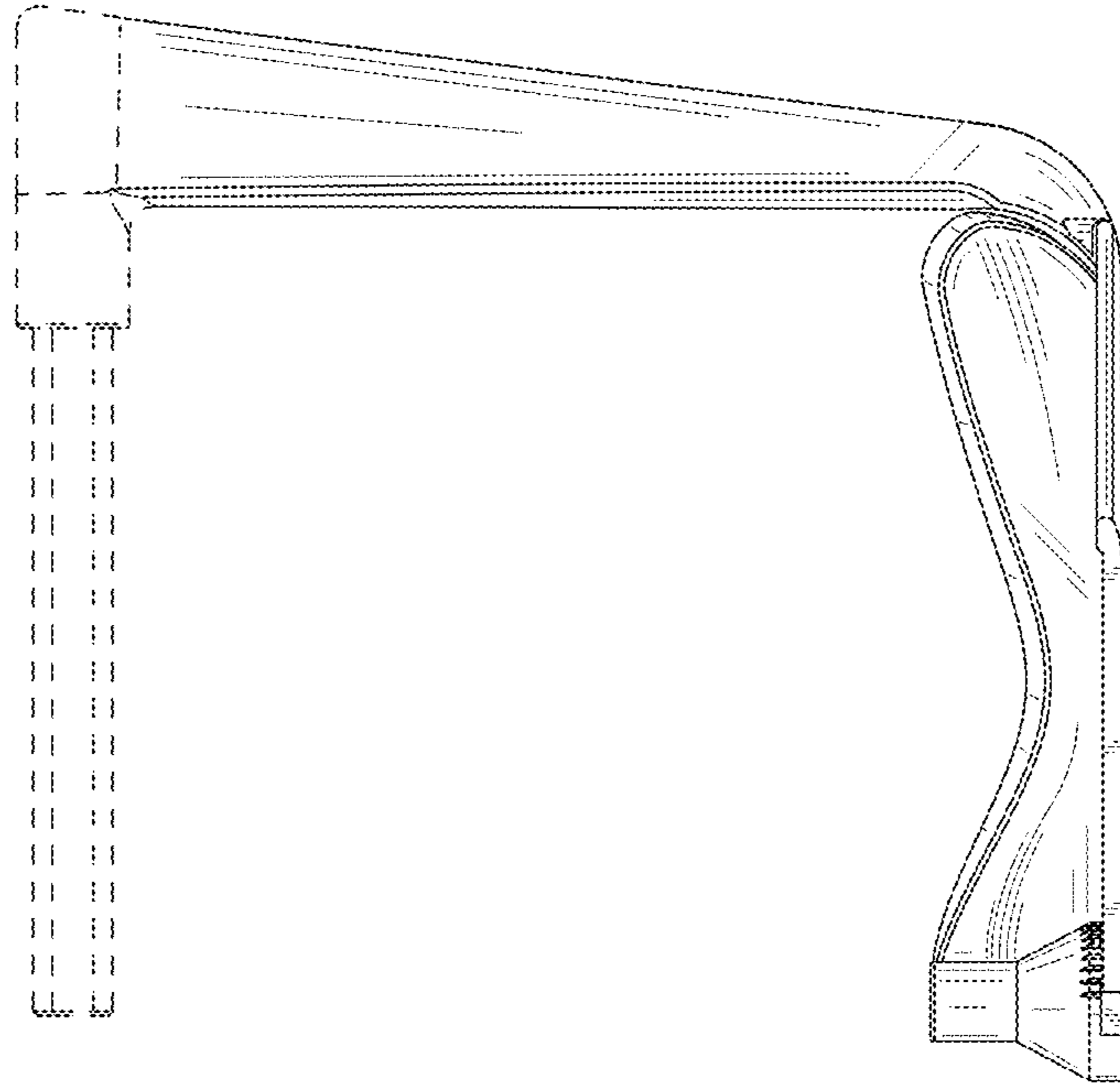


FIG. 5

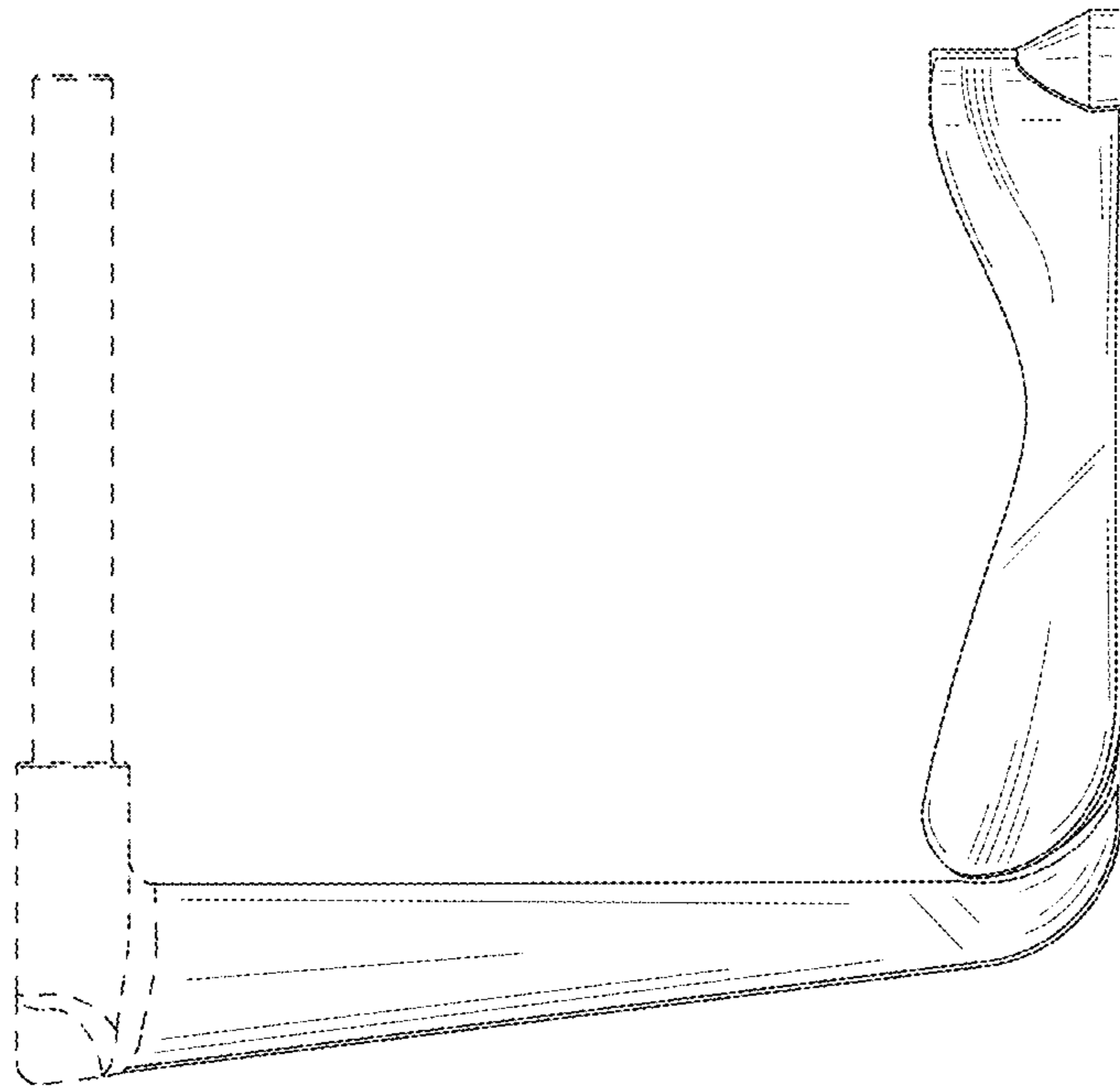


FIG. 6

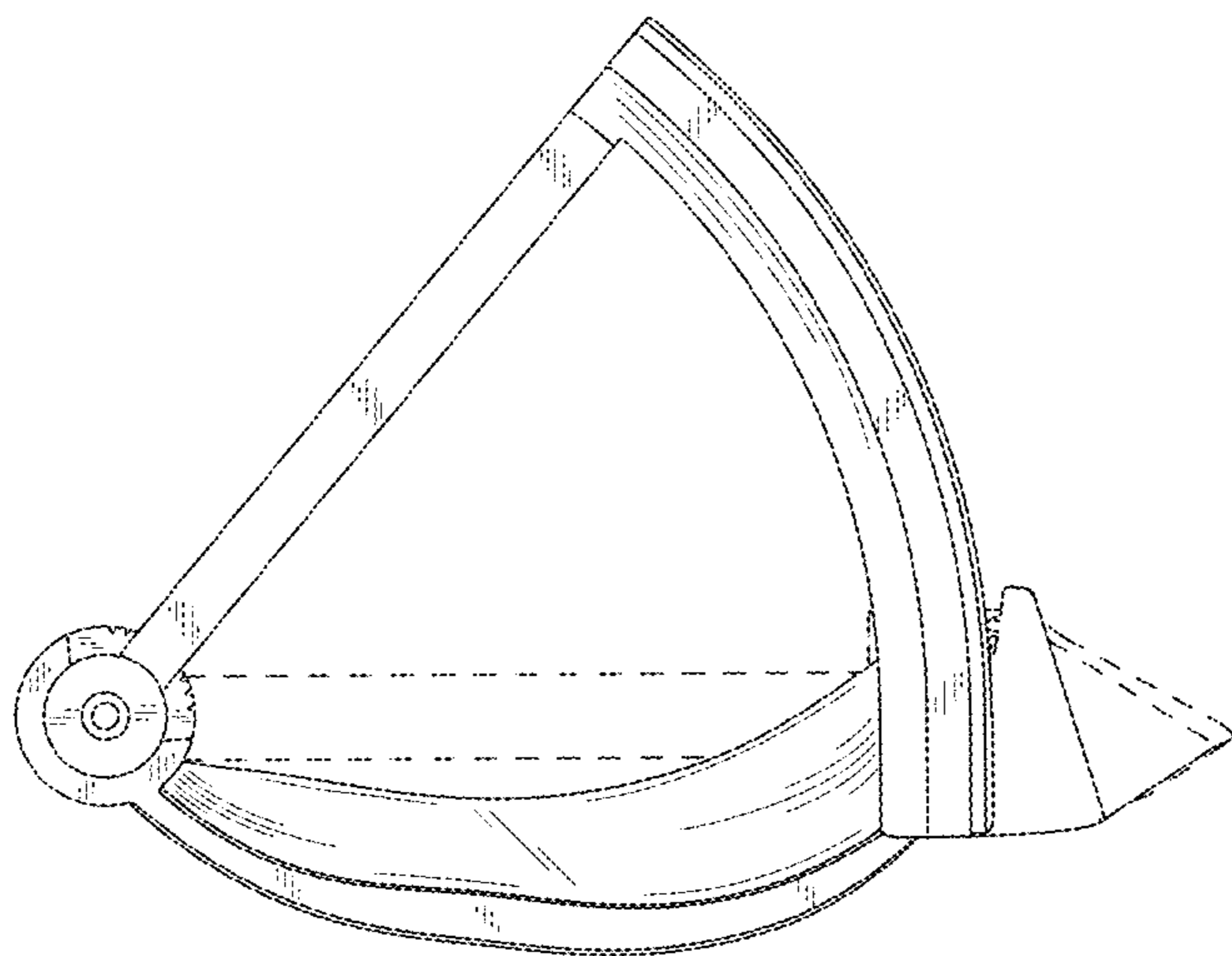


FIG. 8

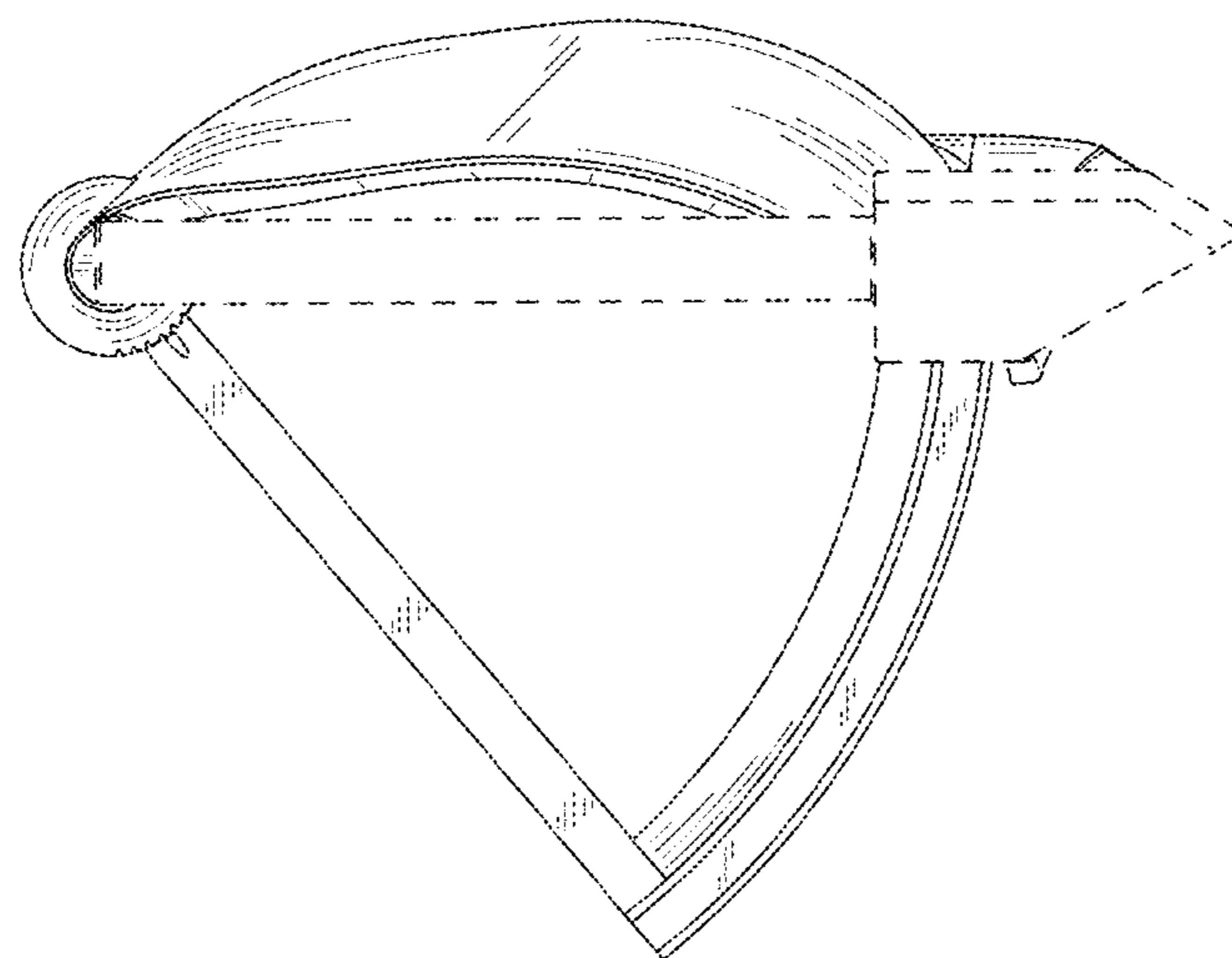


FIG. 7