



US00D742170S

(12) **United States Design Patent**
Kunz

(10) **Patent No.:** **US D742,170 S**
(45) **Date of Patent:** **** Nov. 3, 2015**

(54) **ELECTRIC COFFEE MAKER**

(71) Applicant: **SEB**, Selongey (FR)

(72) Inventor: **Anders Kunz**, Savigny le Sec (FR)

(73) Assignee: **SEB**, Selongey (FR)

(**) Term: **14 Years**

(21) Appl. No.: **29/494,907**

(22) Filed: **Jun. 25, 2014**

(30) **Foreign Application Priority Data**

Jan. 7, 2014 (EM) 001397798-0001

(51) **LOC (10) Cl.** **07-01**

(52) **U.S. Cl.**

USPC **D7/399**; D7/311; D7/309

(58) **Field of Classification Search**

USPC D7/306-311, 305, 300, 313, 399, 398,
D7/397; 99/279, 284, 290, 280, 299, 307,
99/305, 295, 308, 309, 323.1, 395, 300;
222/23, 129.1; 62/395; D20/1;
D23/207, 209; D15/89

CPC A47J 31/44; A47J 31/00; B67D 1/0041;
B67D 3/00

See application file for complete search history.

(56) **References Cited**

U.S. PATENT DOCUMENTS

D423,861 S * 5/2000 Graffius D7/305
6,591,877 B1 * 7/2003 Graffius 141/360
D499,599 S * 12/2004 Morrison D7/309
D553,897 S * 10/2007 De' Longhi D7/309
D568,913 S * 5/2008 Suh et al. D15/89

D600,491 S * 9/2009 Hammad et al. D7/309
D626,367 S * 11/2010 Gross et al. D7/301
D627,186 S * 11/2010 Romandy D7/306
D642,851 S * 8/2011 Yui, George D7/307
D669,727 S * 10/2012 Pagano D7/307
D696,056 S * 12/2013 Hong D7/309
D713,666 S * 9/2014 Van Baelen D7/306
D728,985 S * 5/2015 Brunner et al. D7/308
9,049,959 B2 * 6/2015 Jimenez et al. 1/1

* cited by examiner

Primary Examiner — Marianne Pandozzi

(74) *Attorney, Agent, or Firm* — Loeb & Loeb LLP

(57) **CLAIM**

The ornamental design for an electric coffee maker, as shown and described.

DESCRIPTION

FIG. 1 is a perspective view of an electric coffee maker showing my new design;

FIG. 2 is a front elevational view of the electric coffee maker of FIG. 1.

FIG. 3 is a rear elevational view of the electric coffee maker of FIG. 1.

FIG. 4 is a left side elevational view of the electric coffee maker of FIG. 1.

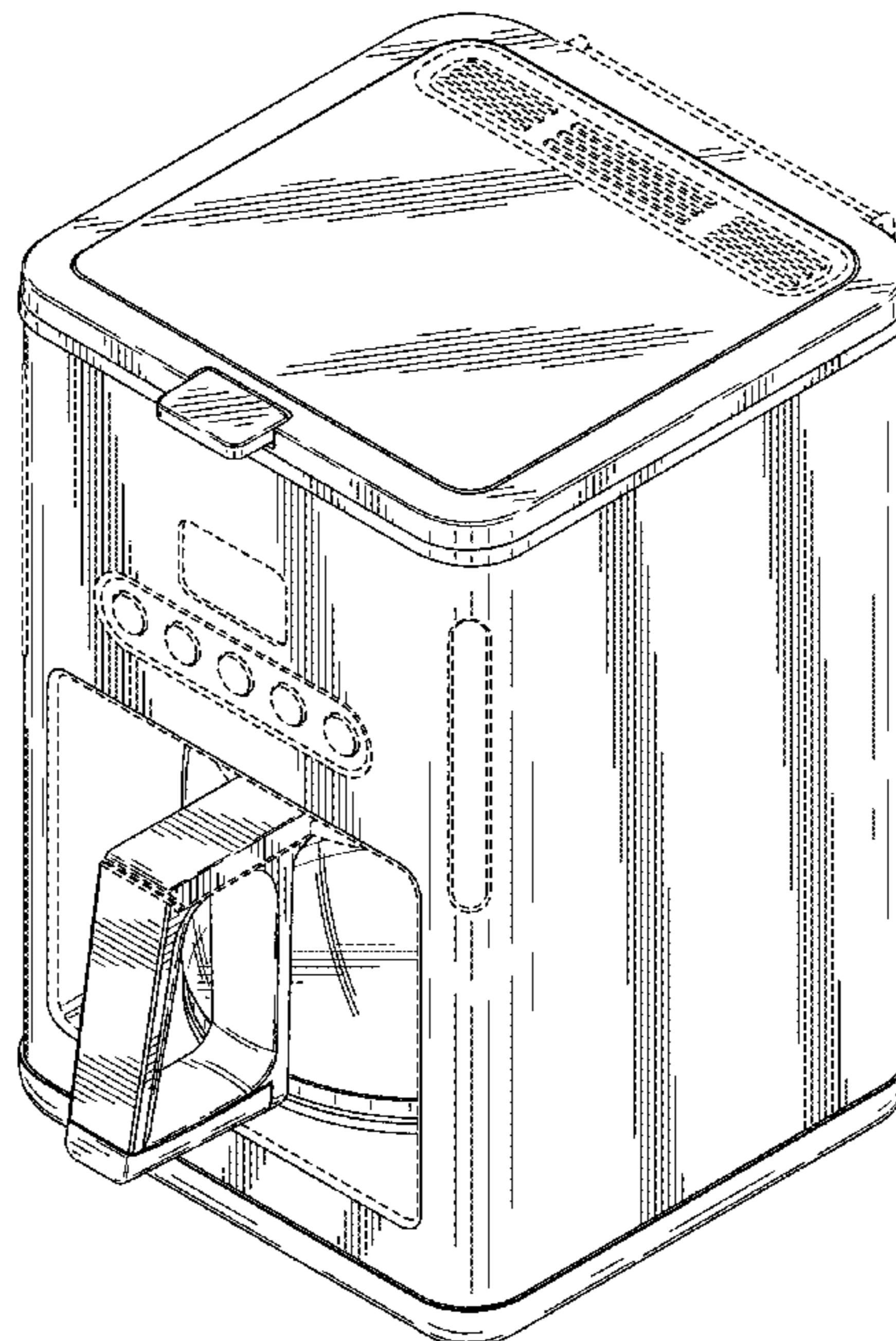
FIG. 5 is a right side elevational view of the electric coffee maker of FIG. 1.

FIG. 6 is a top plan view of the electric coffee maker of FIG. 1; and,

FIG. 7 is a bottom plan view of the electric coffee maker of FIG. 1.

The broken lines appearing in the figures are for the purpose of illustrating the environmental structure of the article of the claimed design and form no part of the claimed design.

1 Claim, 7 Drawing Sheets



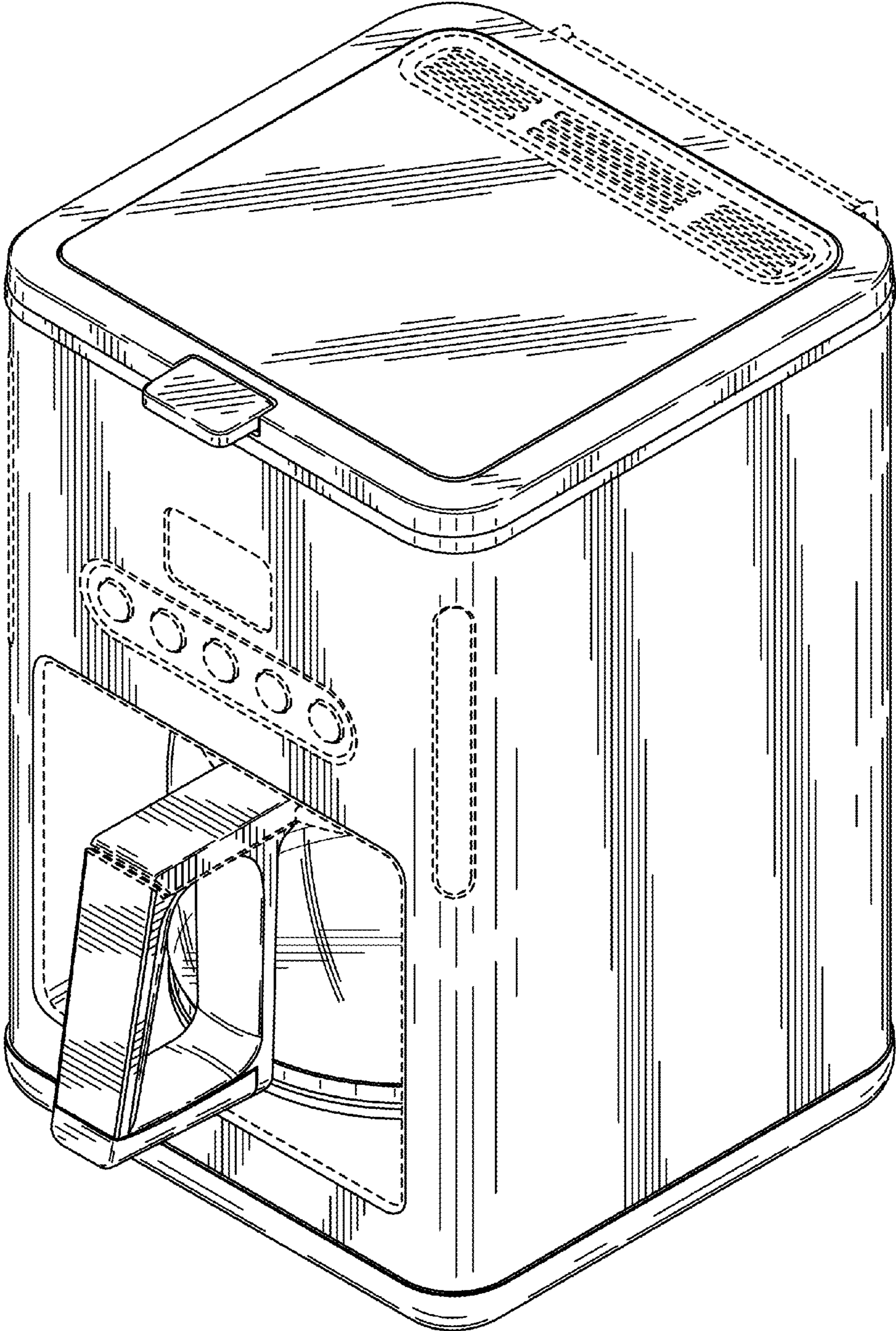


FIG. 1

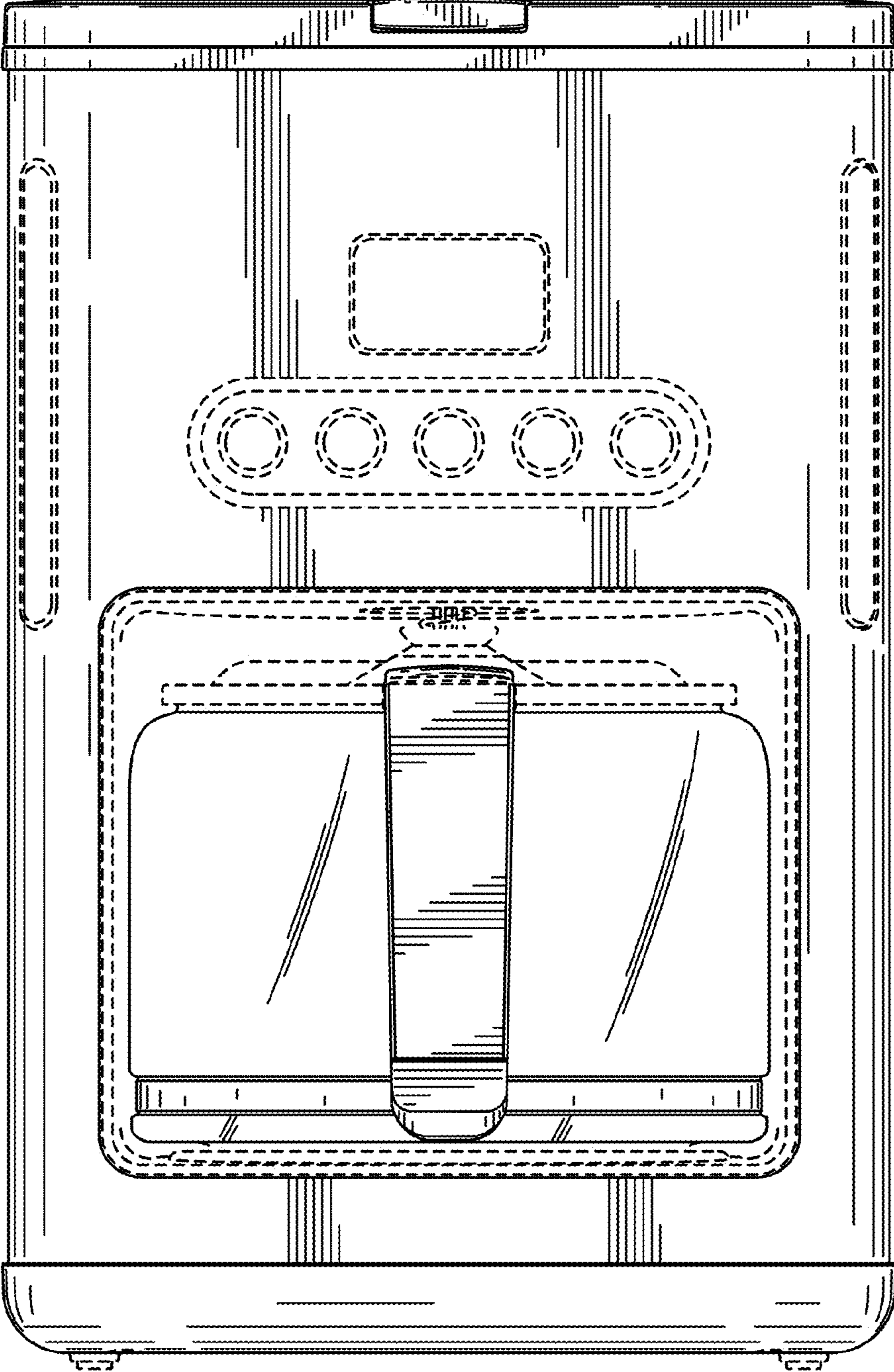


FIG. 2

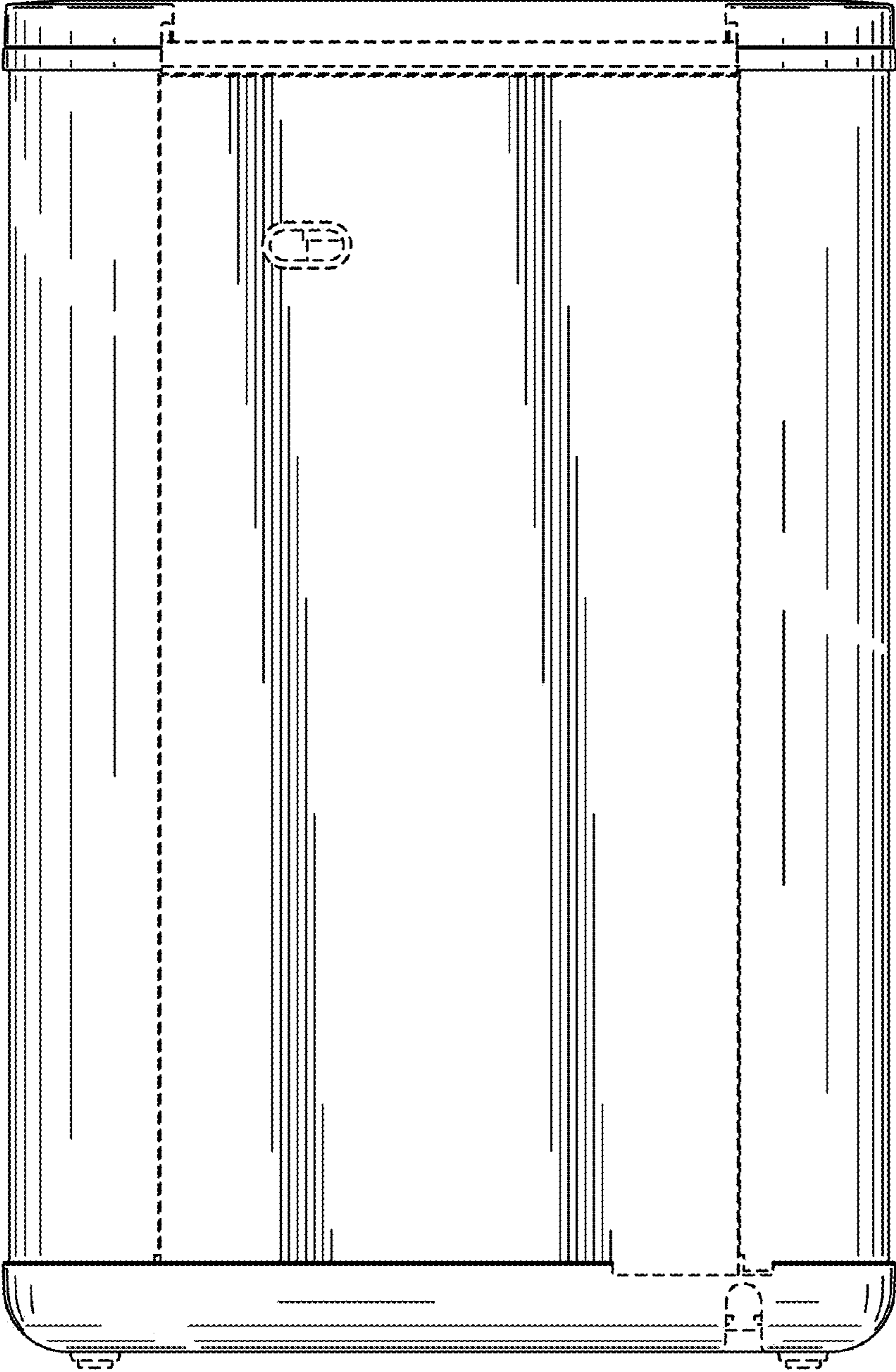


FIG. 3

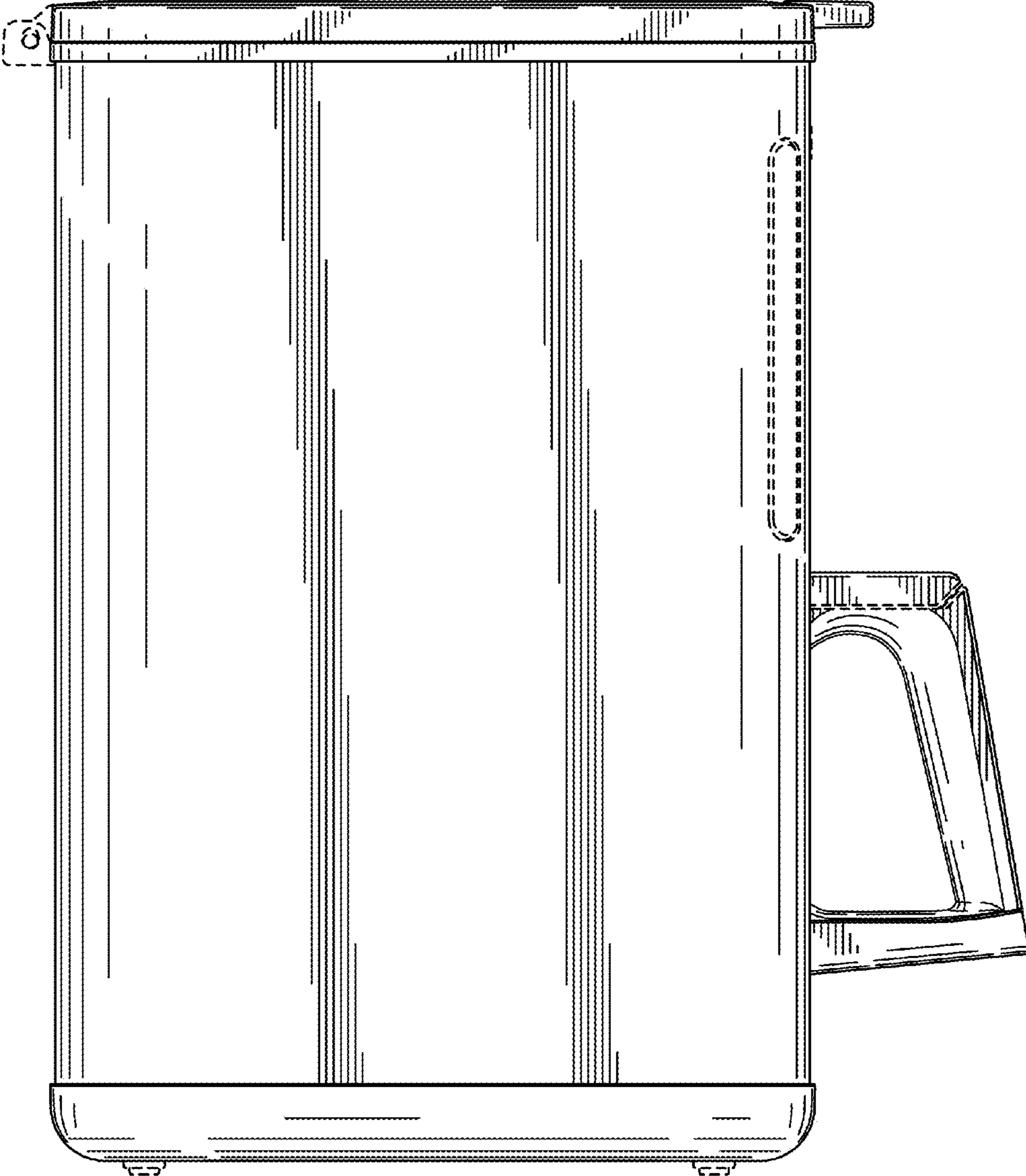


FIG. 4

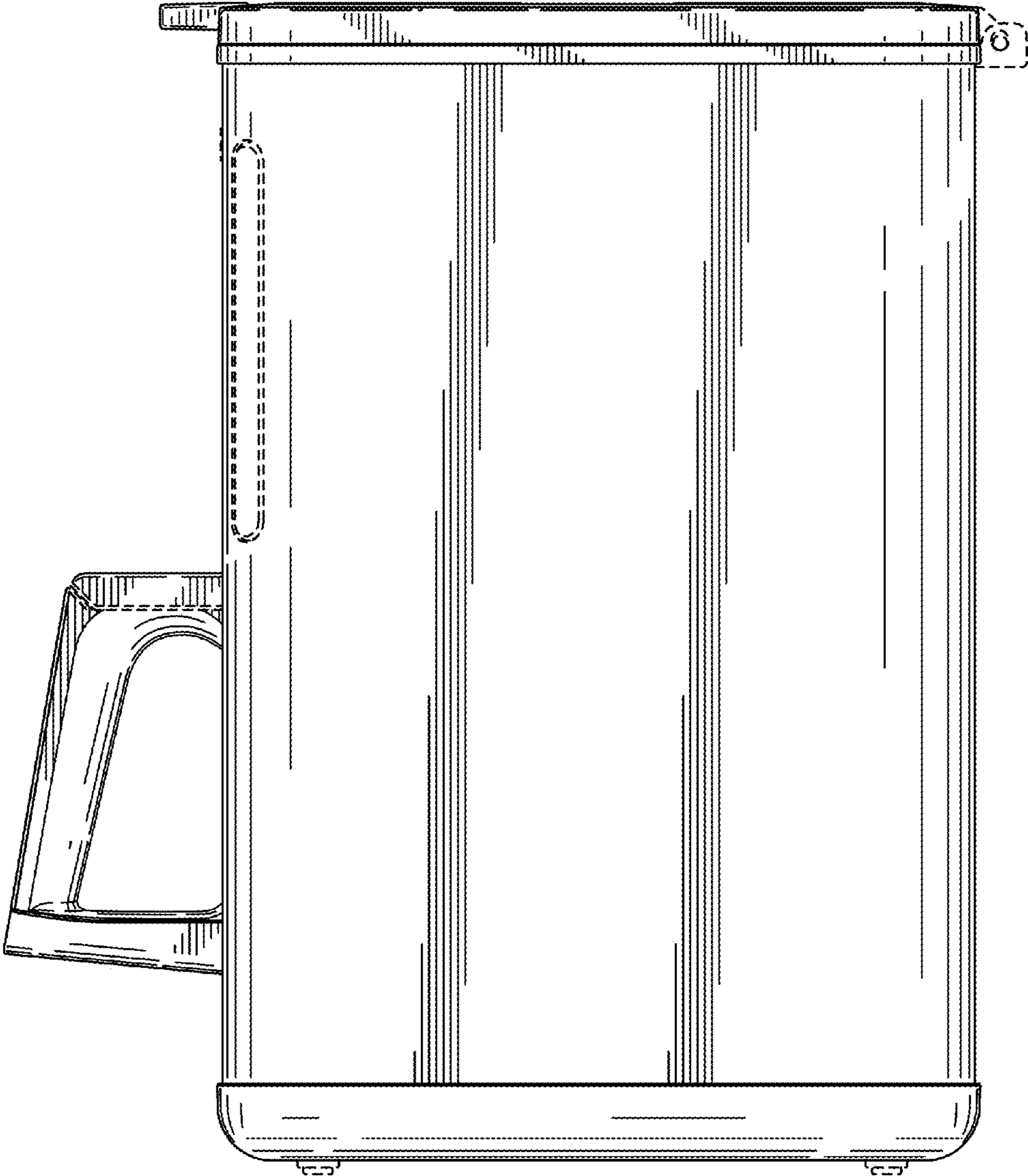


FIG. 5

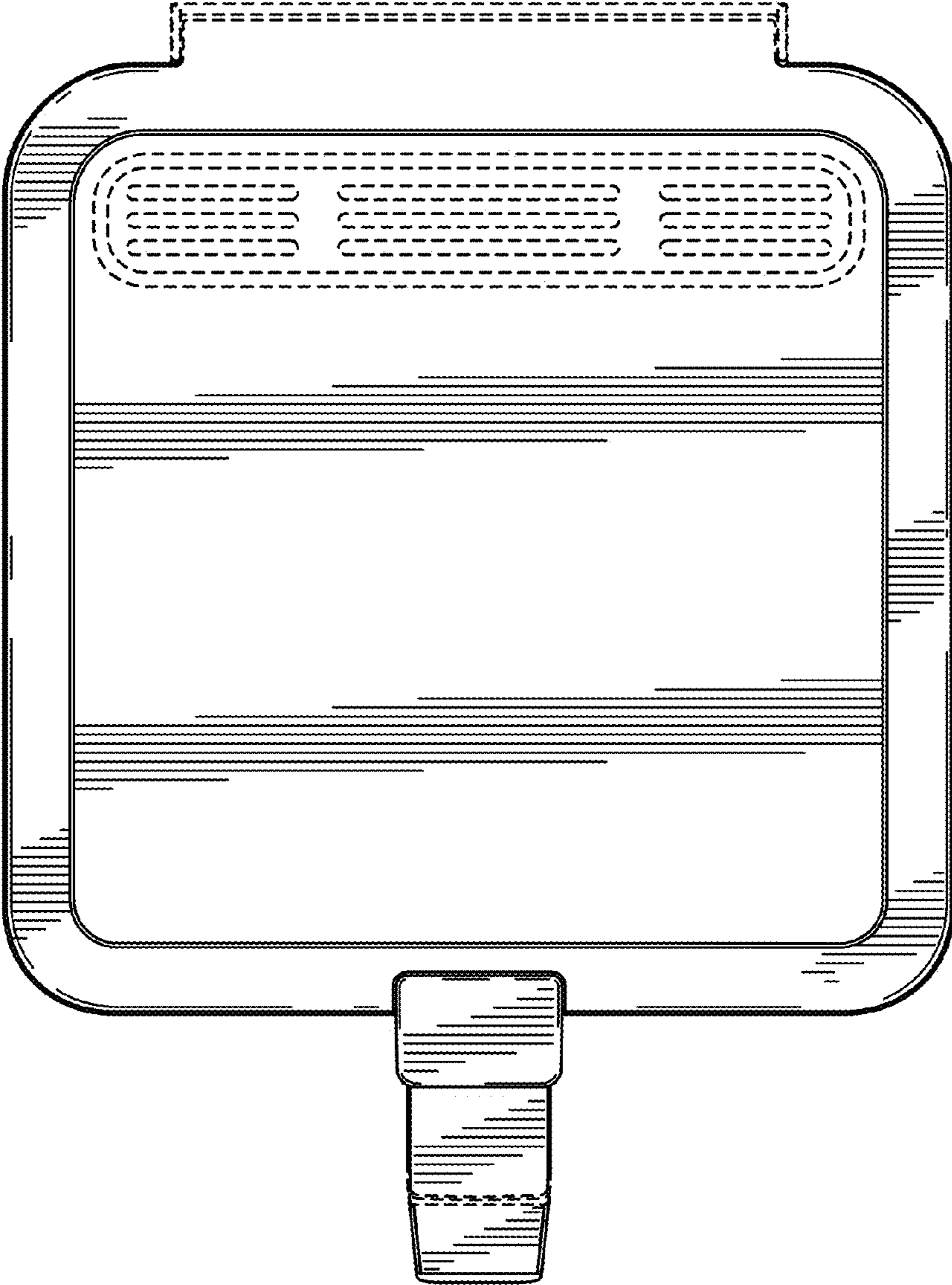


FIG. 6

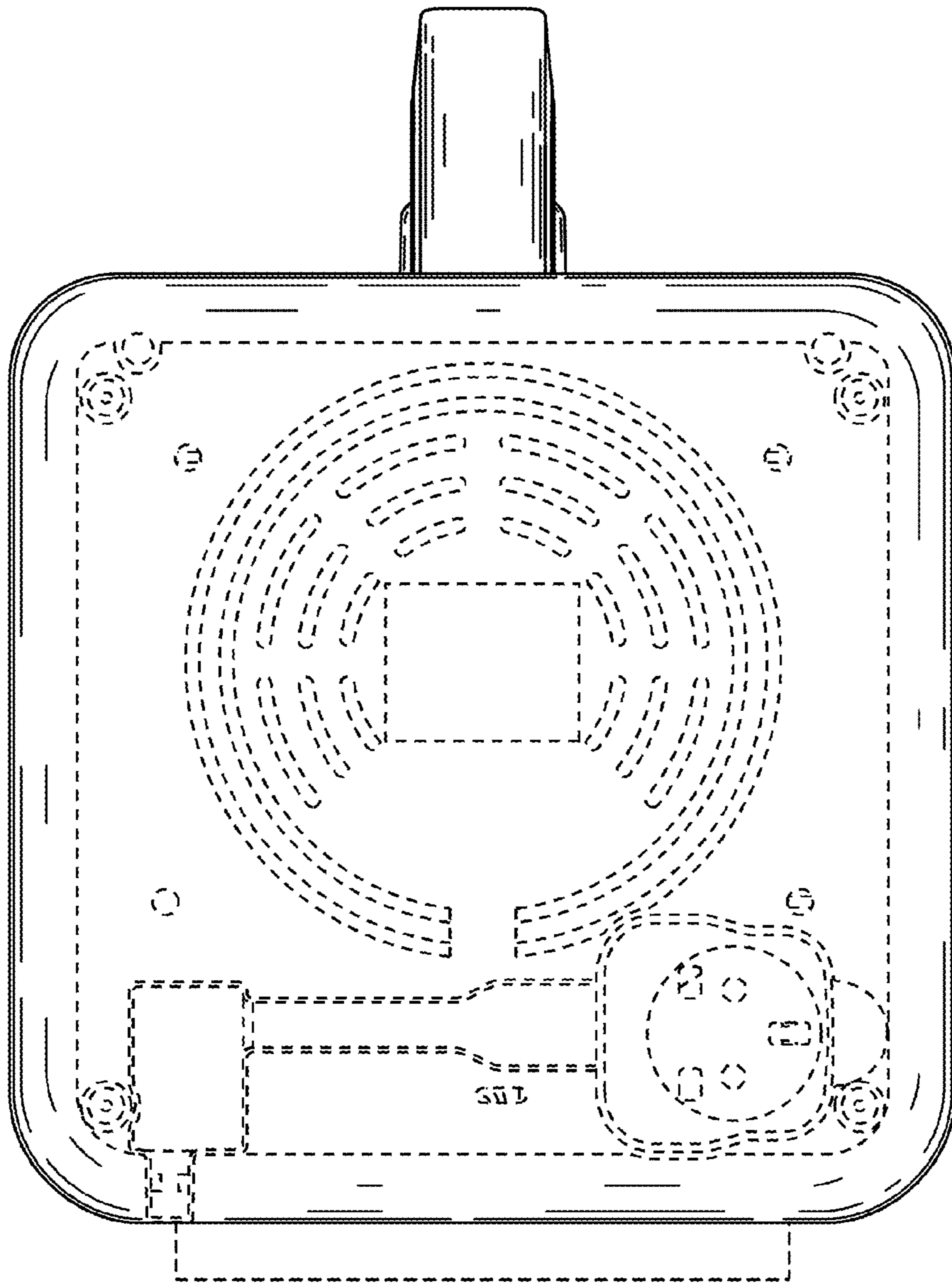


FIG. 7