



US00D742169S

(12) **United States Design Patent**  
**Grassia**

(10) **Patent No.:** **US D742,169 S**

(45) **Date of Patent:** **\*\* Nov. 3, 2015**

(54) **ESPRESSO MAKING MACHINE**

(71) Applicant: **Breville Pty Limited**, Botany, NSW  
(AU)

(72) Inventor: **Robert Grassia**, Summer Hill (AU)

(73) Assignee: **Breville Pty Limited**, Alexandria, New  
South Wales (AU)

(\*\*) Term: **14 Years**

(21) Appl. No.: **29/469,133**

(22) Filed: **Oct. 7, 2013**

(51) **LOC (10) Cl.** ..... **07-99**

(52) **U.S. Cl.**  
USPC ..... **D7/399**; D7/397; D7/309; D7/311

(58) **Field of Classification Search**  
USPC ..... D7/306-311, 301, 300, 326, 386,  
D7/397-399; D24/197; 99/281, 305, 307;  
141/247; 222/129.1, 129.3, 145.6  
CPC ..... A47J 31/44; A47J 31/42  
See application file for complete search history.

(56) **References Cited**

**U.S. PATENT DOCUMENTS**

D323,949 S *	2/1992	Kahlcke	.....	D7/309
D337,475 S *	7/1993	Seiffert	.....	D7/309
D344,205 S *	2/1994	Saltet	.....	D7/309
D354,193 S *	1/1995	Storsberg	.....	D7/309
D360,555 S *	7/1995	Gil De Miguel	.....	D7/309
D431,409 S *	10/2000	Man	.....	D7/309
D514,370 S *	2/2006	Jacques	.....	D7/309
D584,097 S *	1/2009	Lam	.....	D7/309
D640,083 S *	6/2011	Davenport	.....	D7/309
D678,718 S *	3/2013	Grassia	.....	D7/399

D682,027 S *	5/2013	Grassia	.....	D7/397
2011/0283889 A1 *	11/2011	Con et al.	.....	99/286
2014/0069279 A1 *	3/2014	Upston et al.	.....	99/283

**OTHER PUBLICATIONS**

<http://www.brevilleusa.com/the-oracle.html> Breville Espresso  
Machine Oracle BES980XL on Mar. 28, 2014.\*

\* cited by examiner

*Primary Examiner* — Marianne Pandozzi

*Assistant Examiner* — Jae Liang

(74) *Attorney, Agent, or Firm* — Molins & Co Pty Ltd

(57) **CLAIM**

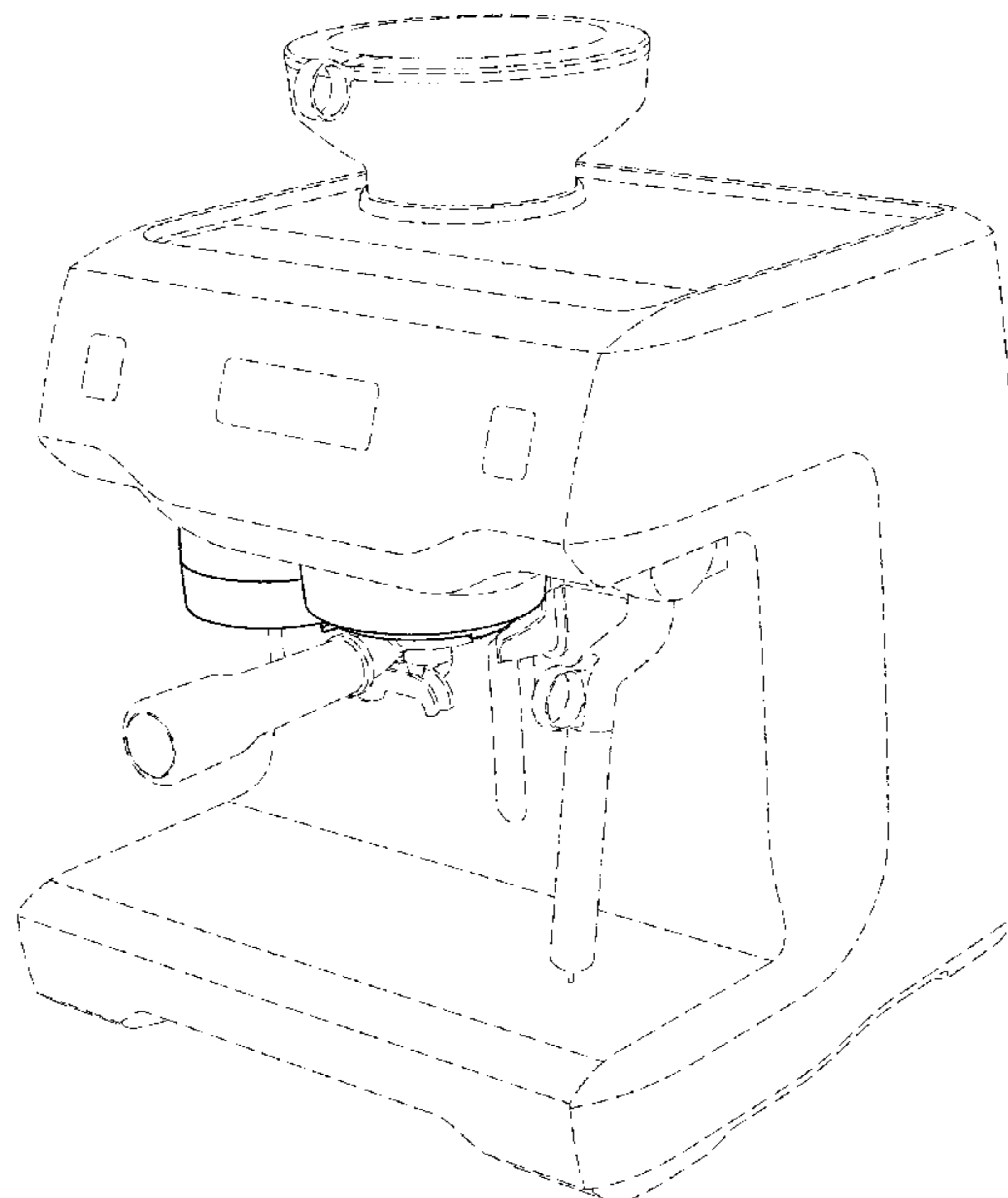
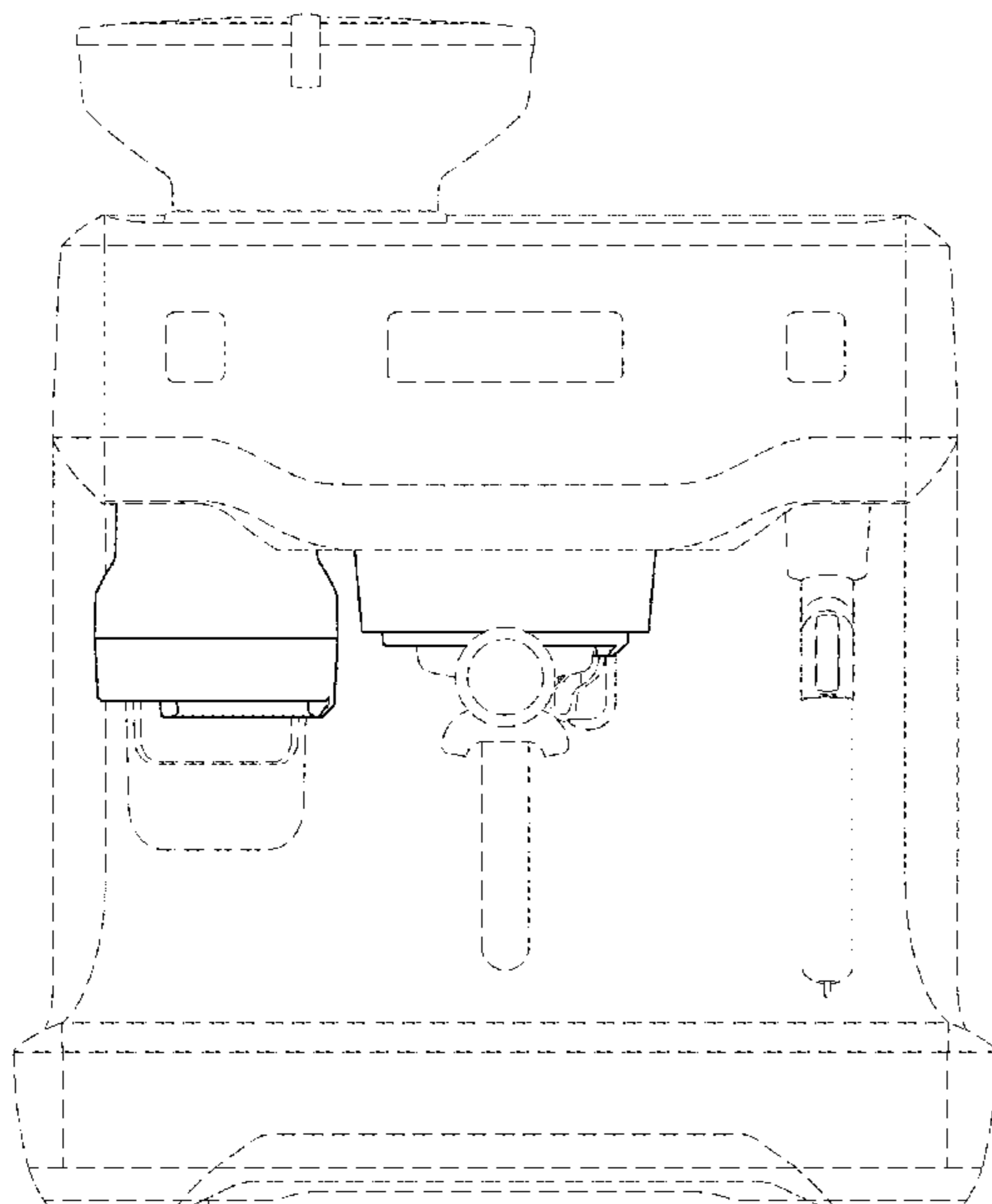
The ornamental design for an espresso making machine, as  
shown and described.

**DESCRIPTION**

FIG. 1 is a back view of an espresso making machine showing  
my new design;  
FIG. 2 is a left side view thereof;  
FIG. 3 is a front view thereof;  
FIG. 4 is a right side view thereof;  
FIG. 5 is a top view thereof;  
FIG. 6 is a bottom view thereof;  
FIG. 7 is a front perspective view thereof; and,  
FIG. 8 is a rear perspective view thereof.

The broken lines shown in the drawings are for illustrative  
purposes only and form no part of the claimed design. Fea-  
tures of the grinder head and group head that are not shown in  
the drawing figures form no part of the claimed design.

**1 Claim, 8 Drawing Sheets**



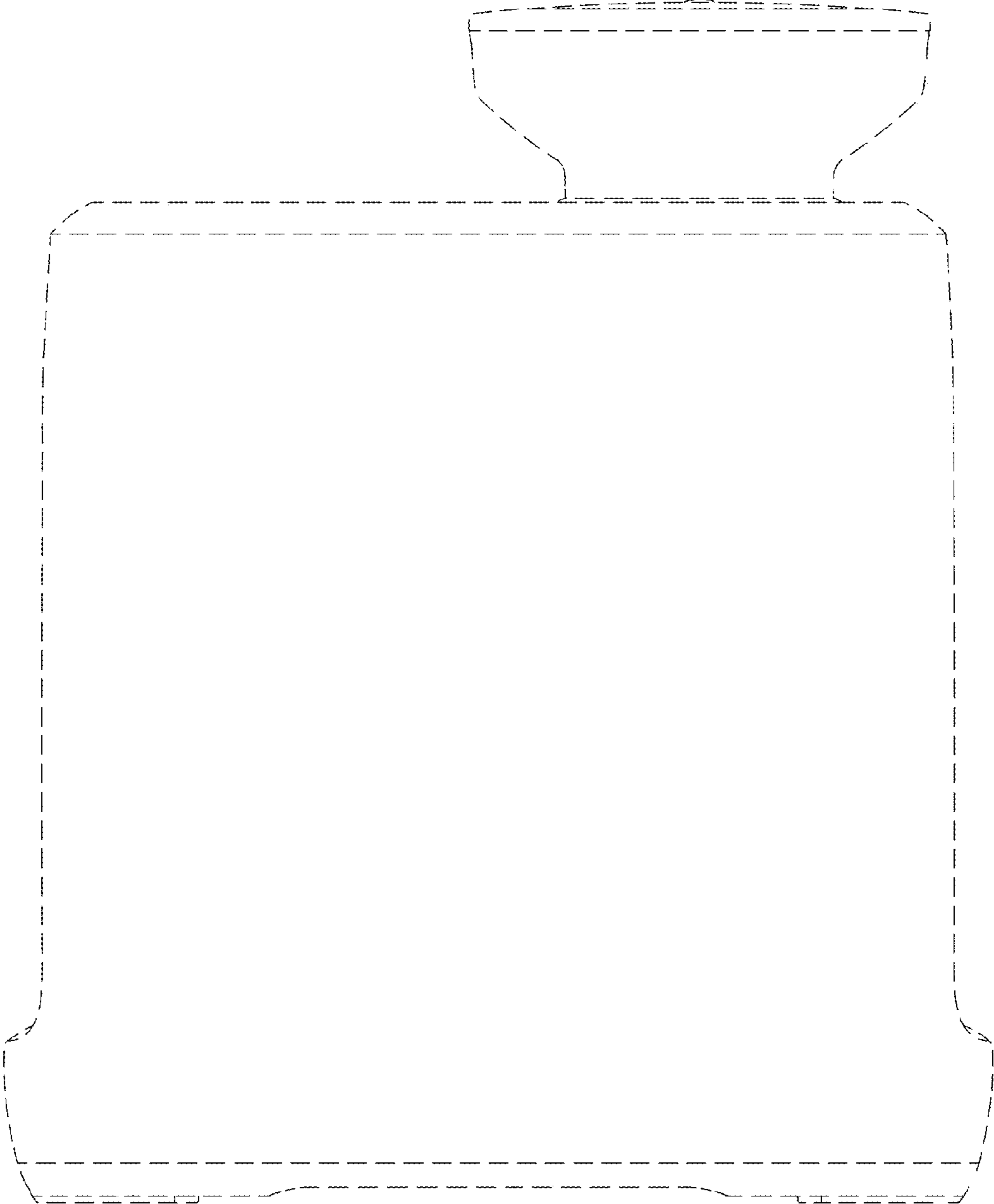


FIG. 1

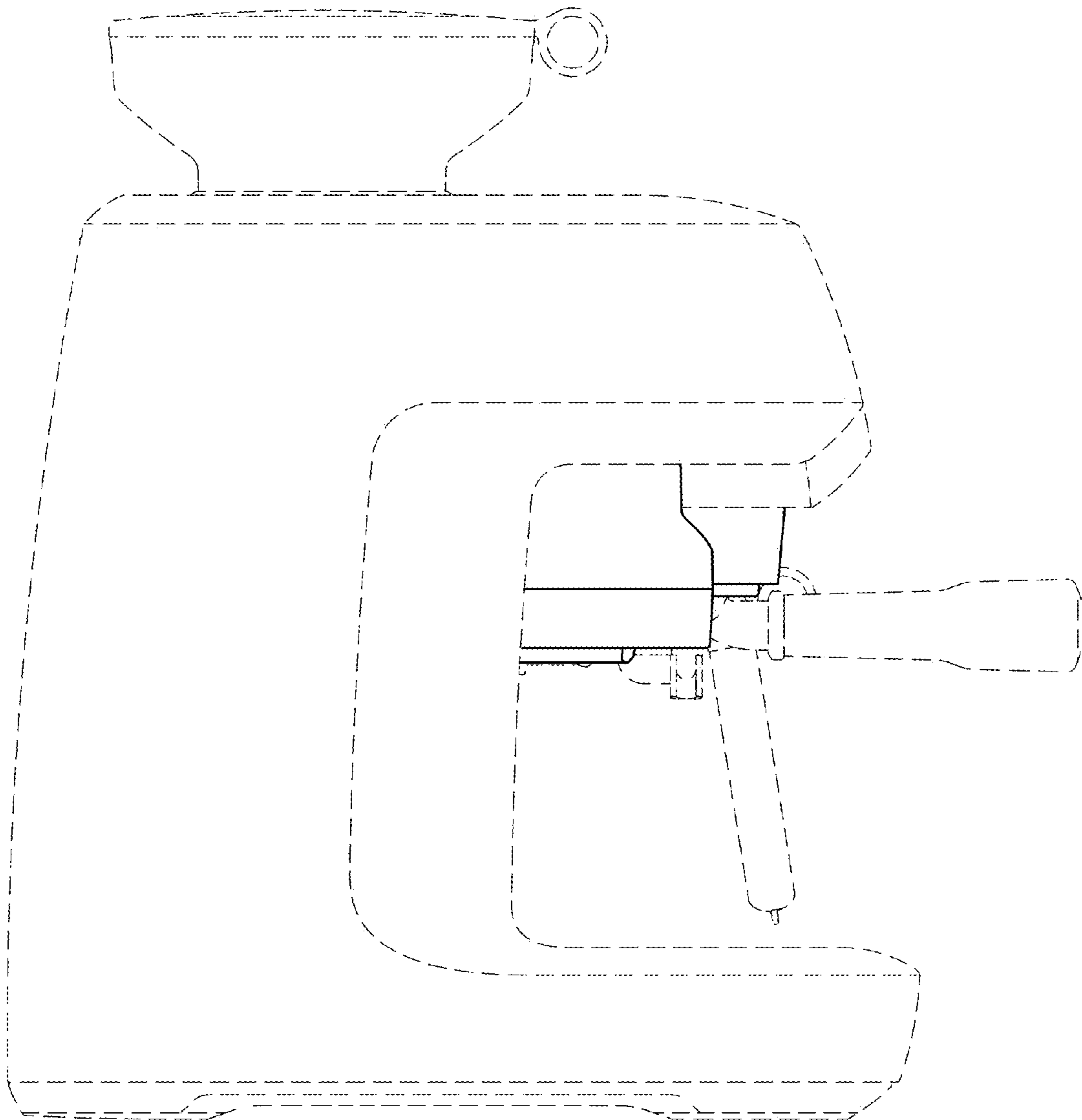


FIG. 2

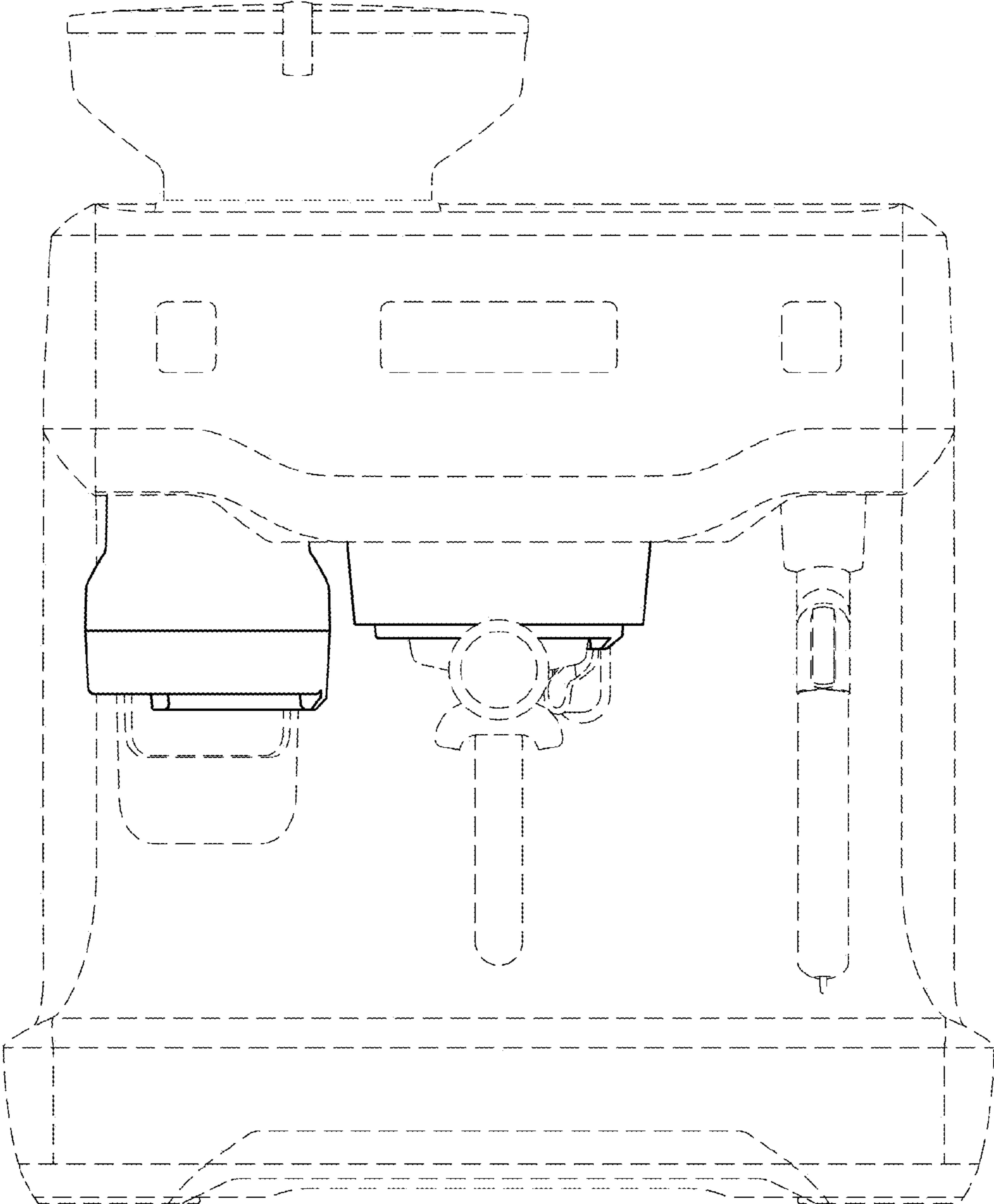


FIG. 3

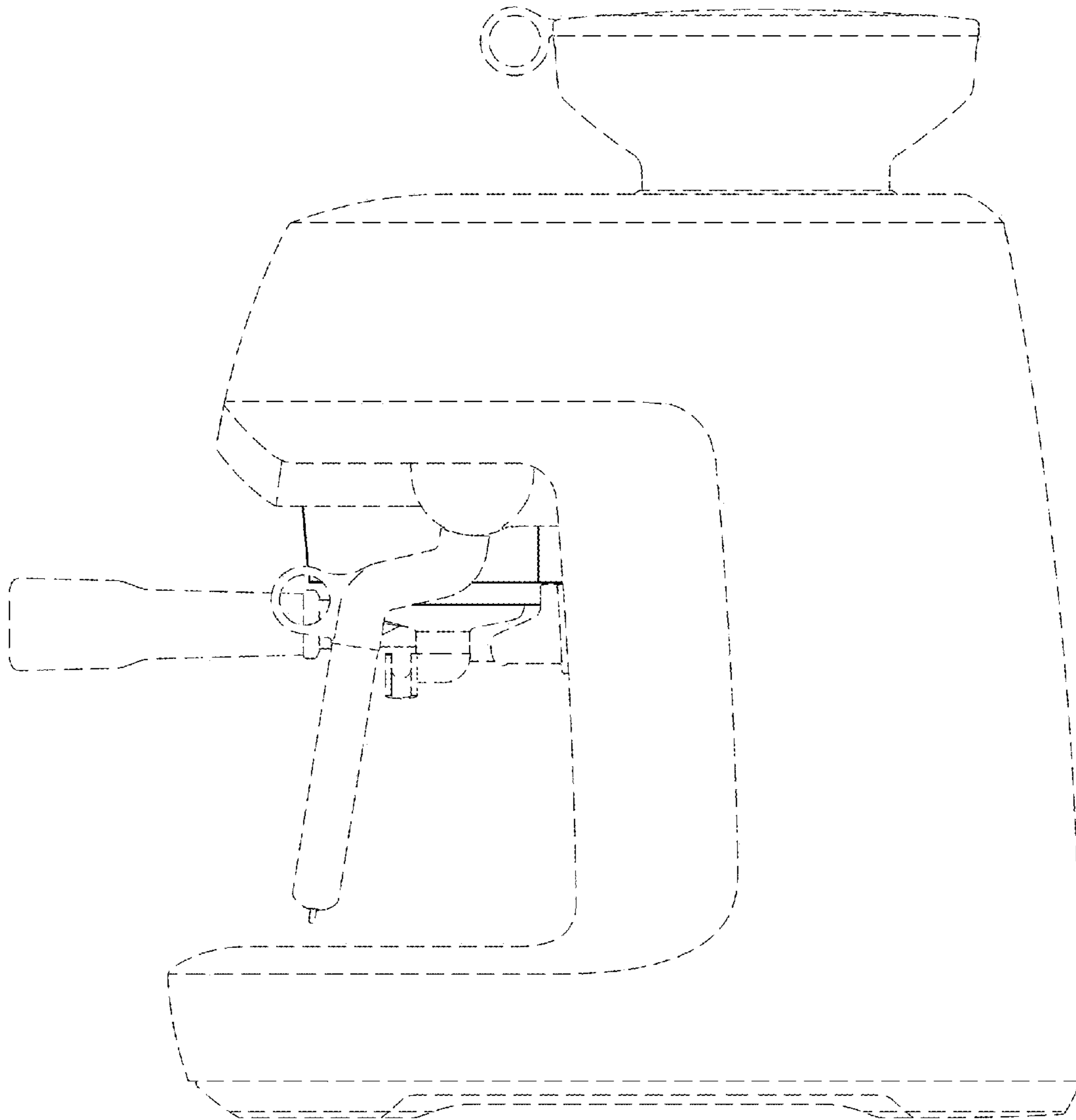


FIG. 4

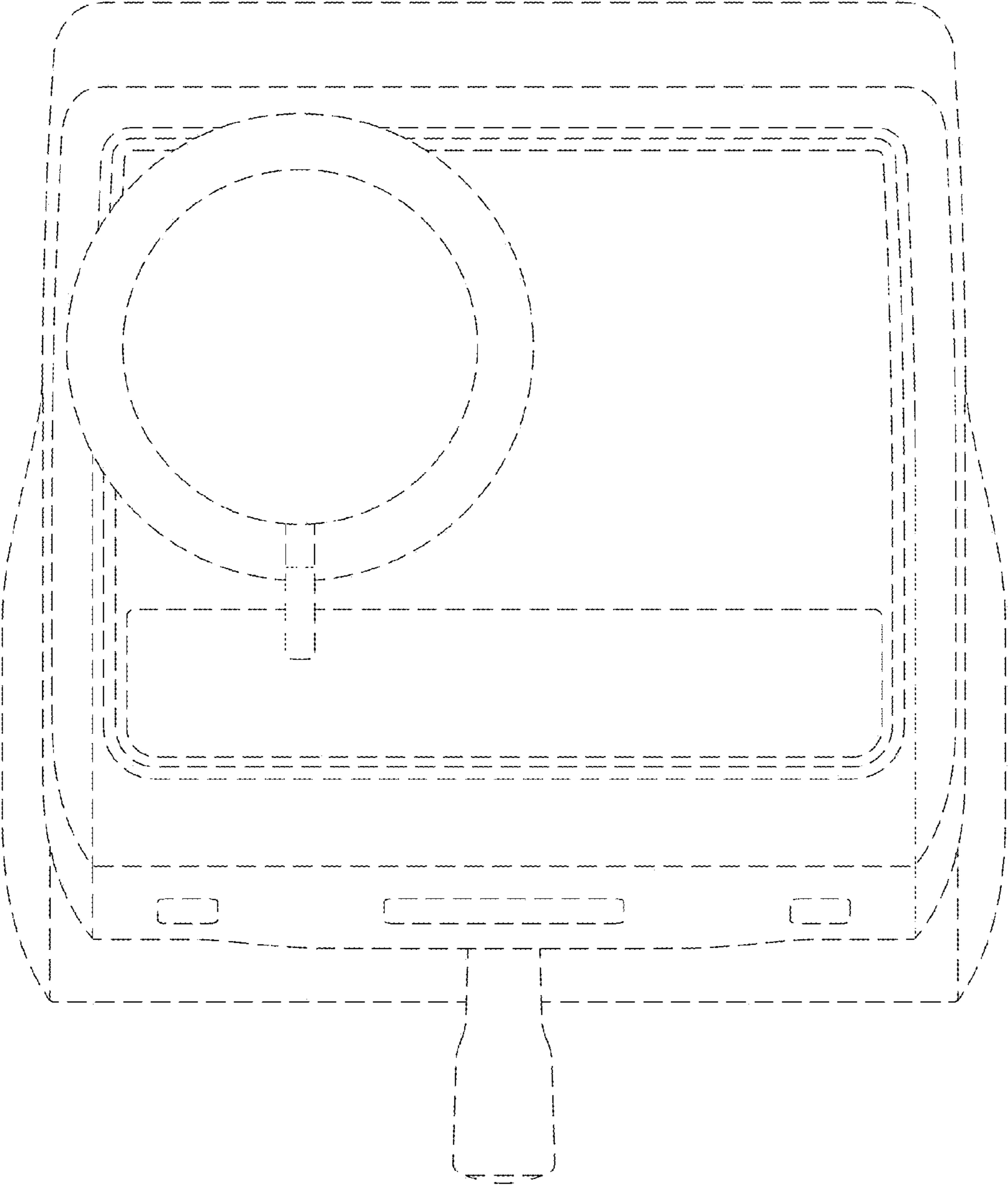


FIG. 5

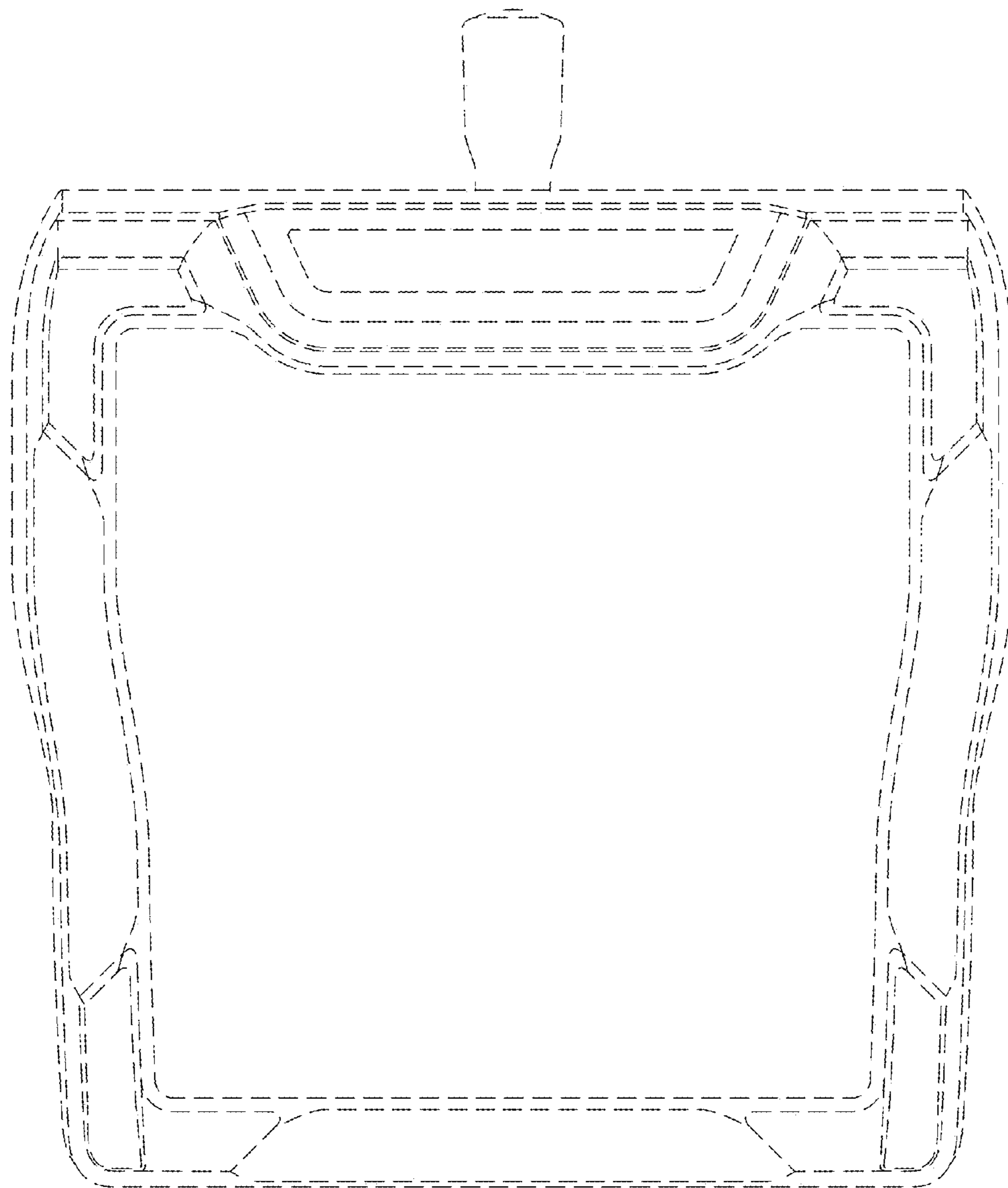


FIG. 6

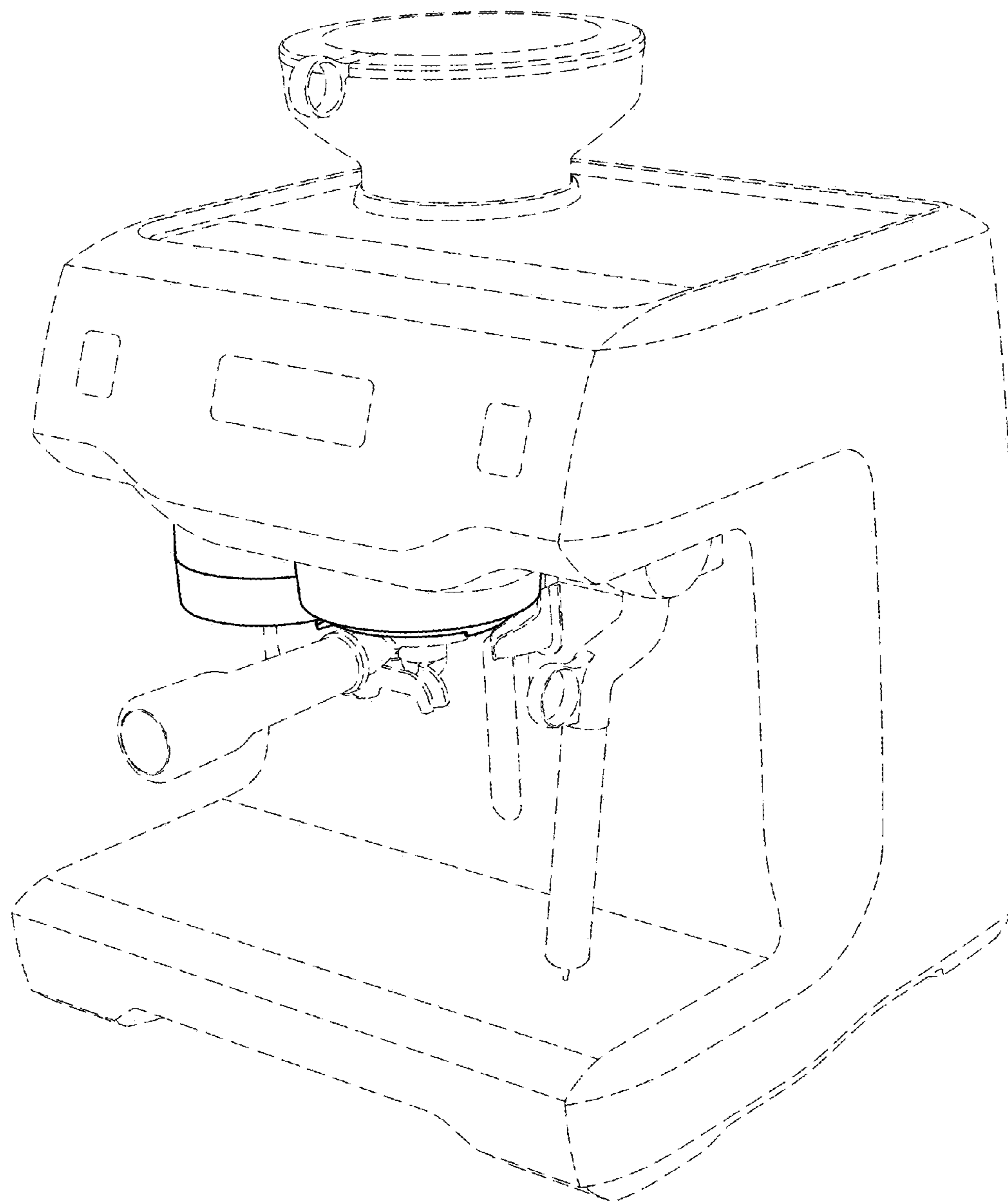


FIG. 7



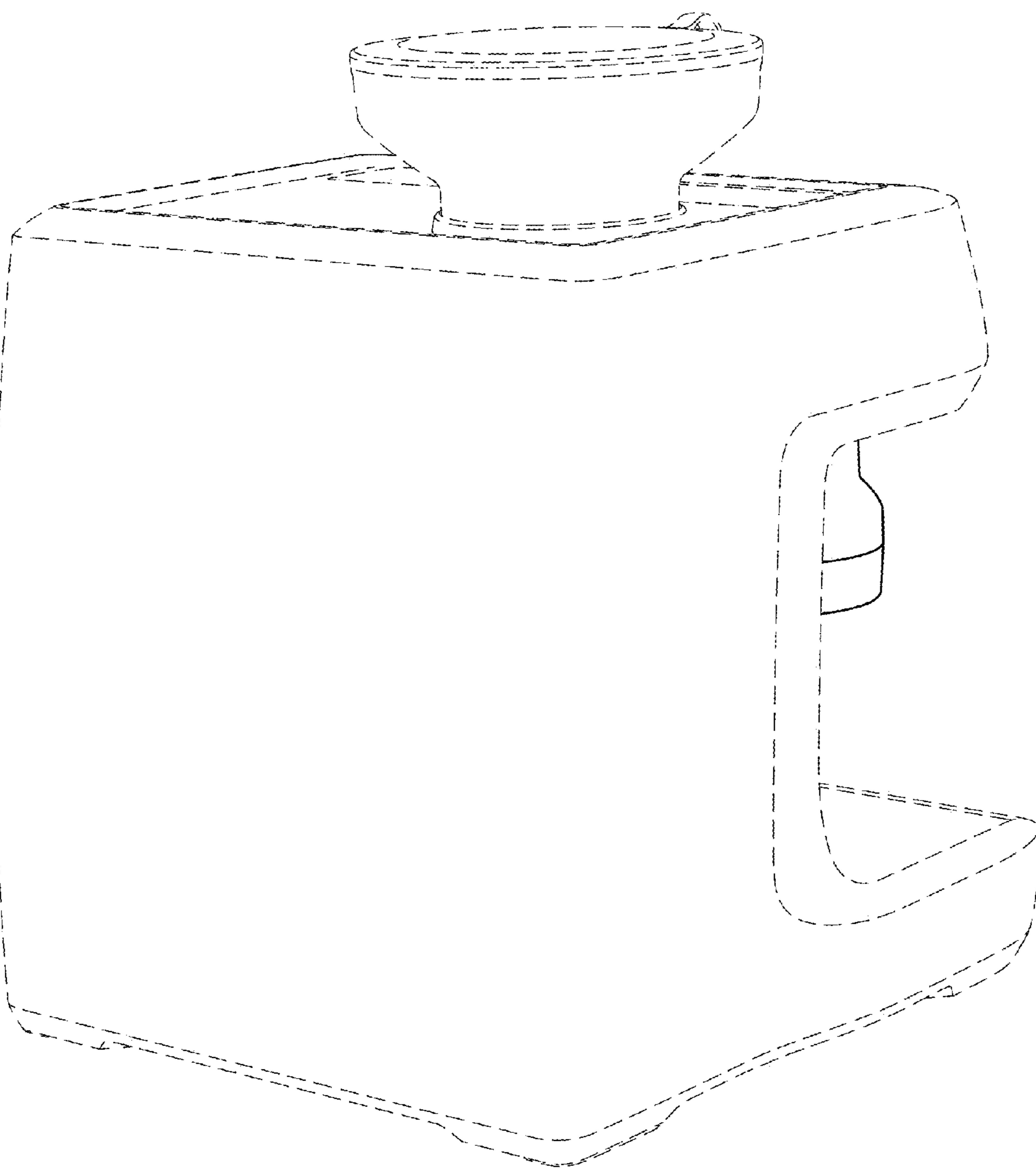


FIG. 8