



US00D742168S

(12) **United States Design Patent**
Lincoln

(10) **Patent No.:** **US D742,168 S**
(45) **Date of Patent:** **** Nov. 3, 2015**

(54) **WINE AERATING DEVICE**

(71) Applicant: **Douglas Lincoln**, La Habra, CA (US)

(72) Inventor: **Douglas Lincoln**, La Habra, CA (US)

(**) Term: **14 Years**

(21) Appl. No.: **29/497,952**

(22) Filed: **Jul. 30, 2014**

(51) **LOC (10) Cl.** **31-00**

(52) **U.S. Cl.**
USPC **D7/398**; D7/397; D7/392

(58) **Field of Classification Search**
USPC D7/397, 398, 213, 313, 393, 395, 515,
D7/539, 300.2, 619.1; D10/119.2, 68;
217/72, 98; 137/317, 318, 319;
222/145.7, 148, 113, 484, 569, 563,
222/479, 190; D2/909, 910, 911, 631;
D11/30, 44, 48, 53, 81, 99, 101, 157,
D11/160, 95; D21/313, 386, 396, 388, 414,
D21/490, 594; D3/200, 203.1, 203.2, 203.4,
D3/203.5, 204, 207, 208, 212, 266, 264,
D3/215, 322; D9/439, 440, 435, 436, 447;
D8/18, 33, 34
CPC B25F 1/02; B25F 5/02; B25F 5/023;
B25F 5/026; B65D 5/46; B65D 47/24; B65D
47/2093; F16K 23/00

See application file for complete search history.

(56) **References Cited**

U.S. PATENT DOCUMENTS

1,597,742	A	*	8/1926	Turner	446/81
D96,269	S	*	7/1935	Milbach	D9/440
D123,419	S	*	11/1940	Rigby	D7/398
D168,165	S	*	11/1952	Lutz	D7/398
D176,986	S	*	2/1956	McPhee	D9/440
D189,374	S	*	11/1960	Harris	D9/504
D192,909	S	*	5/1962	Morris	D9/440
D197,983	S	*	4/1964	Mourreau	D8/33
D213,164	S	*	1/1969	Relchow	D7/398

D223,693	S	*	5/1972	Chi	D7/398
D242,227	S	*	11/1976	Donoghue	D9/436
4,119,244	A		10/1978	Funke		
D256,945	S	*	9/1980	Willis	D23/232
4,494,452	A		1/1985	Barzso		
4,723,670	A		2/1988	Robinson et al.		
4,785,724	A		11/1988	Vassallo		
4,889,250	A		12/1989	Beyer		
5,154,112	A		10/1992	Wettern		
D344,450	S	*	2/1994	Zugel	D9/683
5,595,104	A		1/1997	Delaplaine		
D379,402	S	*	5/1997	Paul	D23/232

(Continued)

OTHER PUBLICATIONS

“AeraWine Infusion Spirit and Wine Aerator,” <http://www.aerawine.com>; retrieved on Nov. 19, 2013 in 2 pages.

(Continued)

Primary Examiner — Marianne Pandozzi

Assistant Examiner — Jae Liang

(74) *Attorney, Agent, or Firm* — Knobbe, Martens, Olson & Bear LLP

(57) **CLAIM**

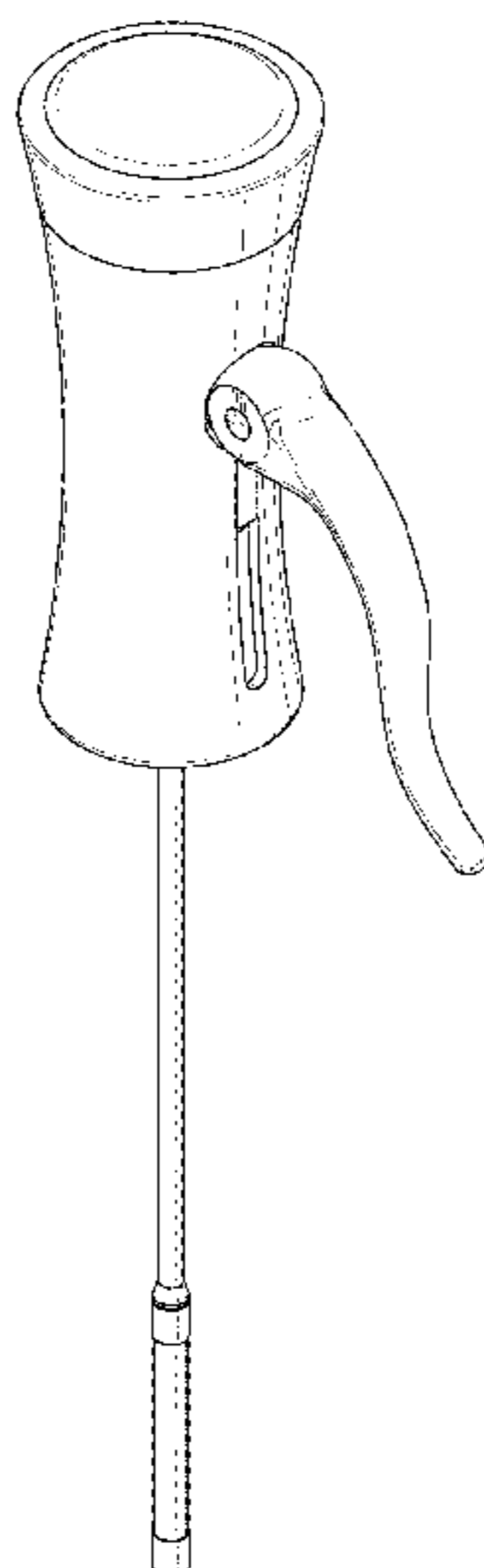
The ornamental design for a wine aerating device, as shown and described.

DESCRIPTION

FIG. 1 is a perspective view of a wine aerating device showing my new design;
FIG. 2 is a front view thereof;
FIG. 3 is a rear view thereof;
FIG. 4 is a left side view thereof;
FIG. 5 is a right side view thereof;
FIG. 6 is top view thereof; and,
FIG. 7 is a bottom view thereof.

The broken line showing in the figure drawings are included for the purpose of illustration and form no part of the claimed design.

1 Claim, 6 Drawing Sheets



(56)

References Cited

U.S. PATENT DOCUMENTS

D386,854 S * 11/1997 Koptis D32/45
 5,823,372 A * 10/1998 Levine
 5,851,443 A * 12/1998 Rajendren 261/87
 D407,017 S * 3/1999 Lau D9/447
 D441,253 S * 5/2001 Chen D7/398
 D445,335 S * 7/2001 Hou D9/447
 6,508,163 B1 1/2003 Weatherill
 D520,359 S * 5/2006 Sach D9/439
 D640,091 S * 6/2011 Sheppard et al. D7/397
 D682,691 S * 5/2013 Hewitt et al. D9/439
 8,561,970 B1 * 10/2013 Mills et al. 261/30
 D701,080 S * 3/2014 Mills et al. D7/397
 D705,004 S * 5/2014 Mills et al. D7/397
 D712,199 S * 9/2014 Borden et al. D7/397
 D716,612 S * 11/2014 Mills et al. D7/600.1
 D719,402 S * 12/2014 Khan D7/398
 D720,959 S * 1/2015 Mok D7/398
 D722,872 S * 2/2015 Bowman et al. D9/436
 D725,230 S * 3/2015 Chen D23/231
 2008/0107785 A1 5/2008 Roodman et al.
 2010/0006603 A1 * 1/2010 Weinberg et al. 222/152
 2010/0058933 A1 3/2010 Cheng

2010/0090355 A1 4/2010 Weatherill
 2011/0177219 A1 7/2011 Roodman et al.
 2011/0297006 A1 12/2011 Belcher

OTHER PUBLICATIONS

“EverythingbutWine,” [http://www.everythingbutwine.com/Wine-Breather-Air-Infusion -Pump](http://www.everythingbutwine.com/Wine-Breather-Air-Infusion-Pump); retrieved on Nov. 19, 2013 in 2 pages.
 “Aermate Wine and Spirits Aerator: How It Works,” <http://aermate.com/how-it-aerates-wine-spirits>; retrieved on Nov. 19, 2013 in 3 pages.
 “soiree aerator,” <http://soireehome.com/products/soiree>; retrieved on Nov. 21, 2013 in 2 pages.
 “The Sharper Image® Flavor Enhancing Wine Aerator,” <http://www.bedbathandbeyond.com/store/product/the-sharper-image-reg-flavor-enhancing-wine-aerator/1016827959>; retrieved on Nov. 21, 2013 in 2 pages.
 “Save Aero™ Wine Aerator by Brookstone,” <http://www.brookstone.com/aero-full-bottle-wine-aerator>; retrieved on Nov. 21, 2013 in 2 pages.
 “The Aermate Wine and Spirits Aerator review,” <http://the-gadgeteer.com/2014/01/14/the-aermate-wine-and-spirits-aerator-review>; retrieved on Jul. 17, 2014 in 8 pages.

* cited by examiner

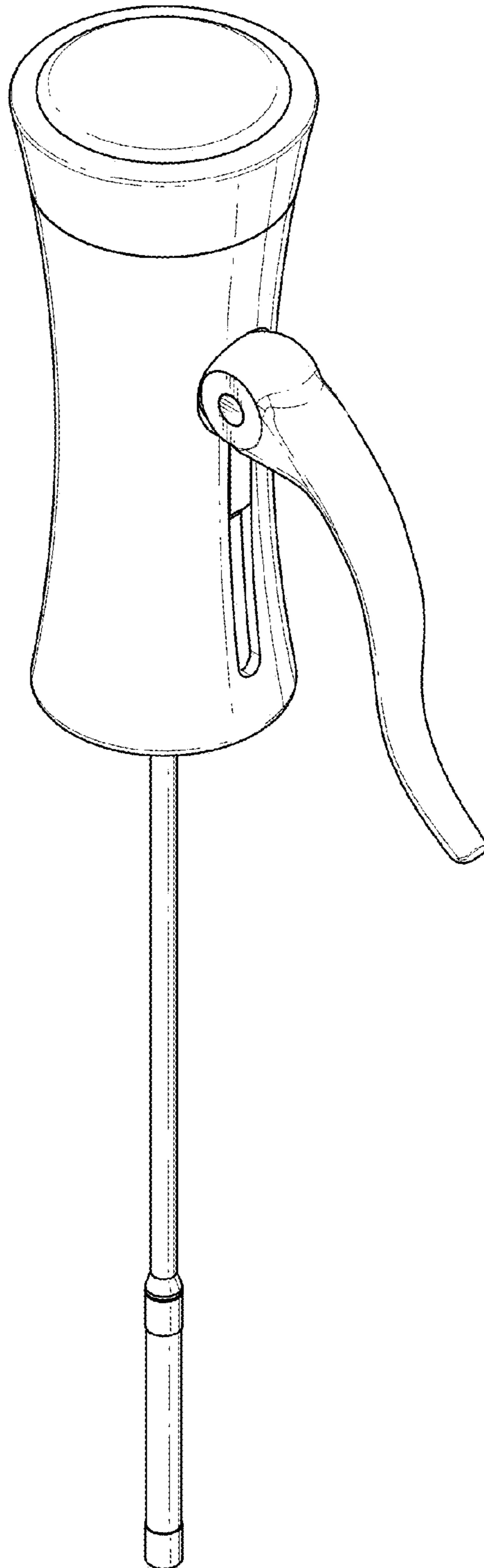


FIG. 1

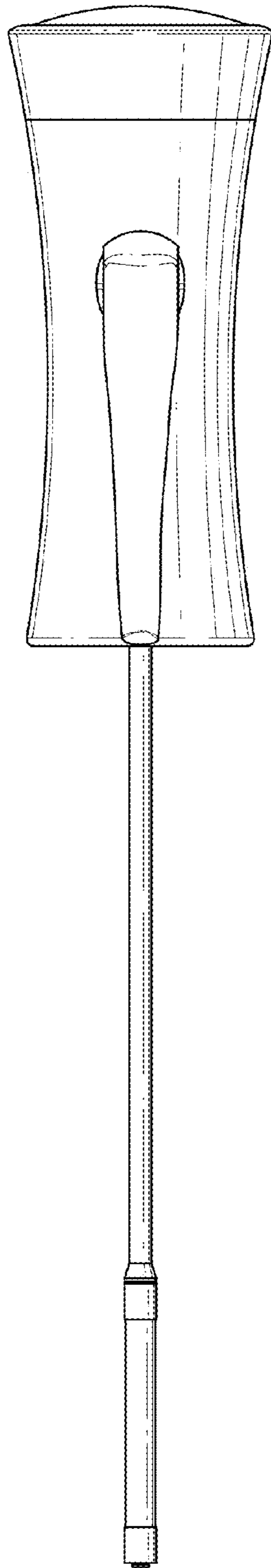


FIG. 2

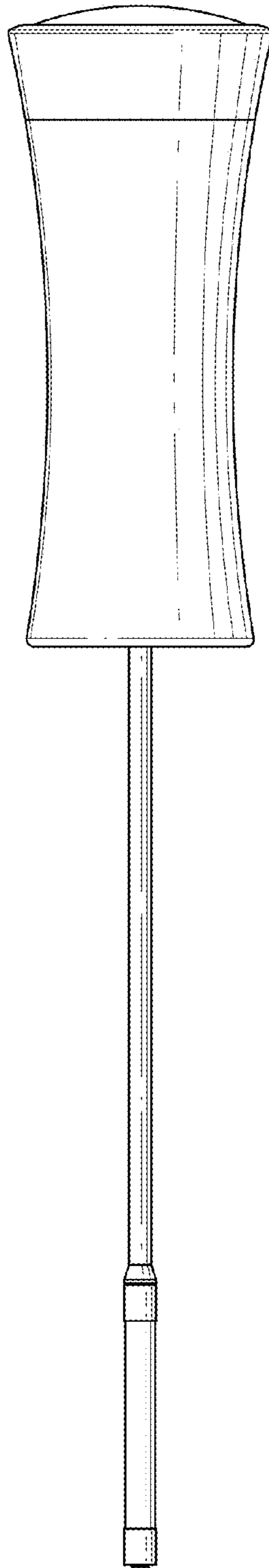


FIG. 3

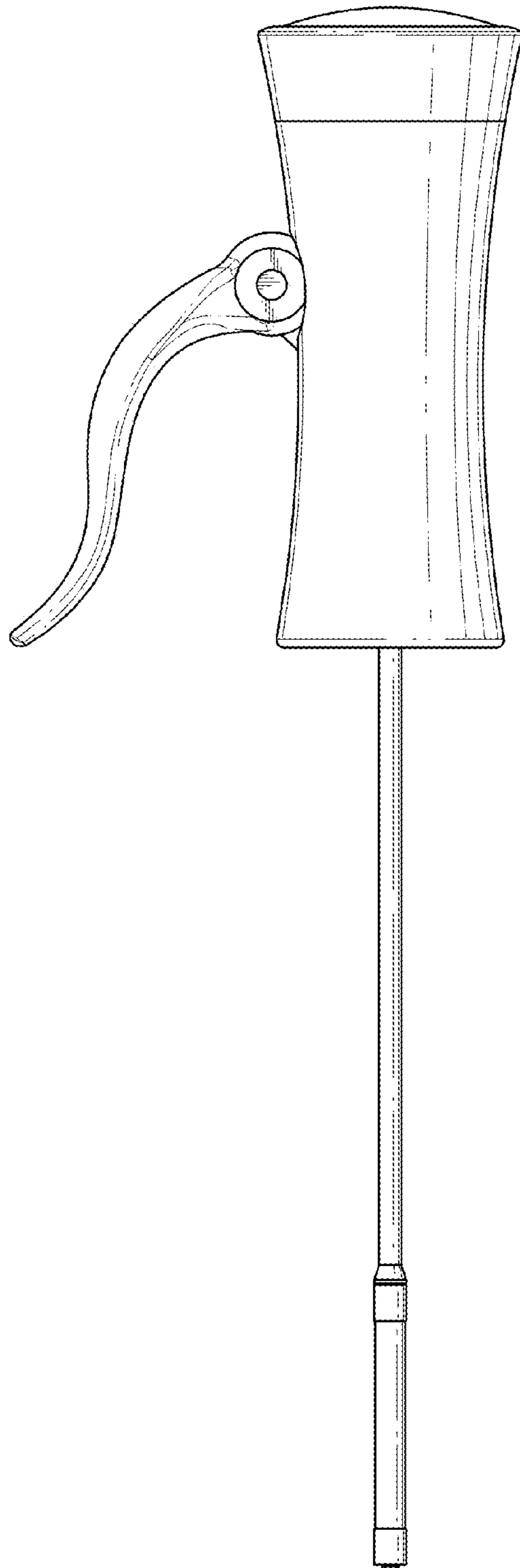


FIG. 4

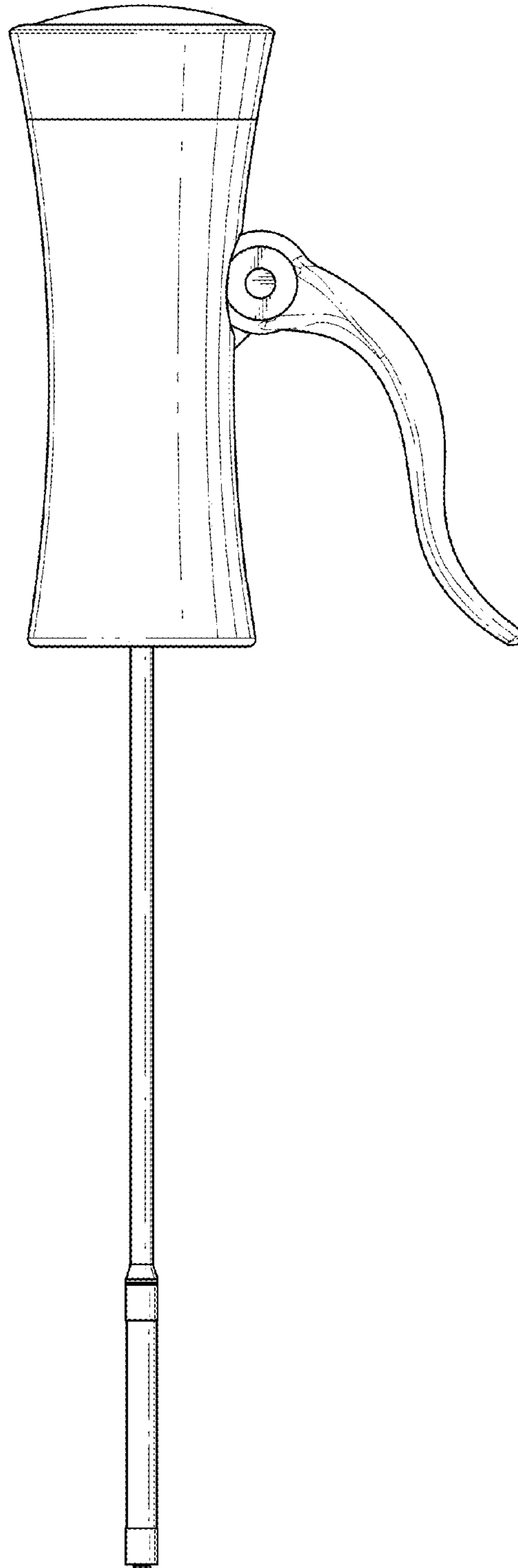


FIG. 5

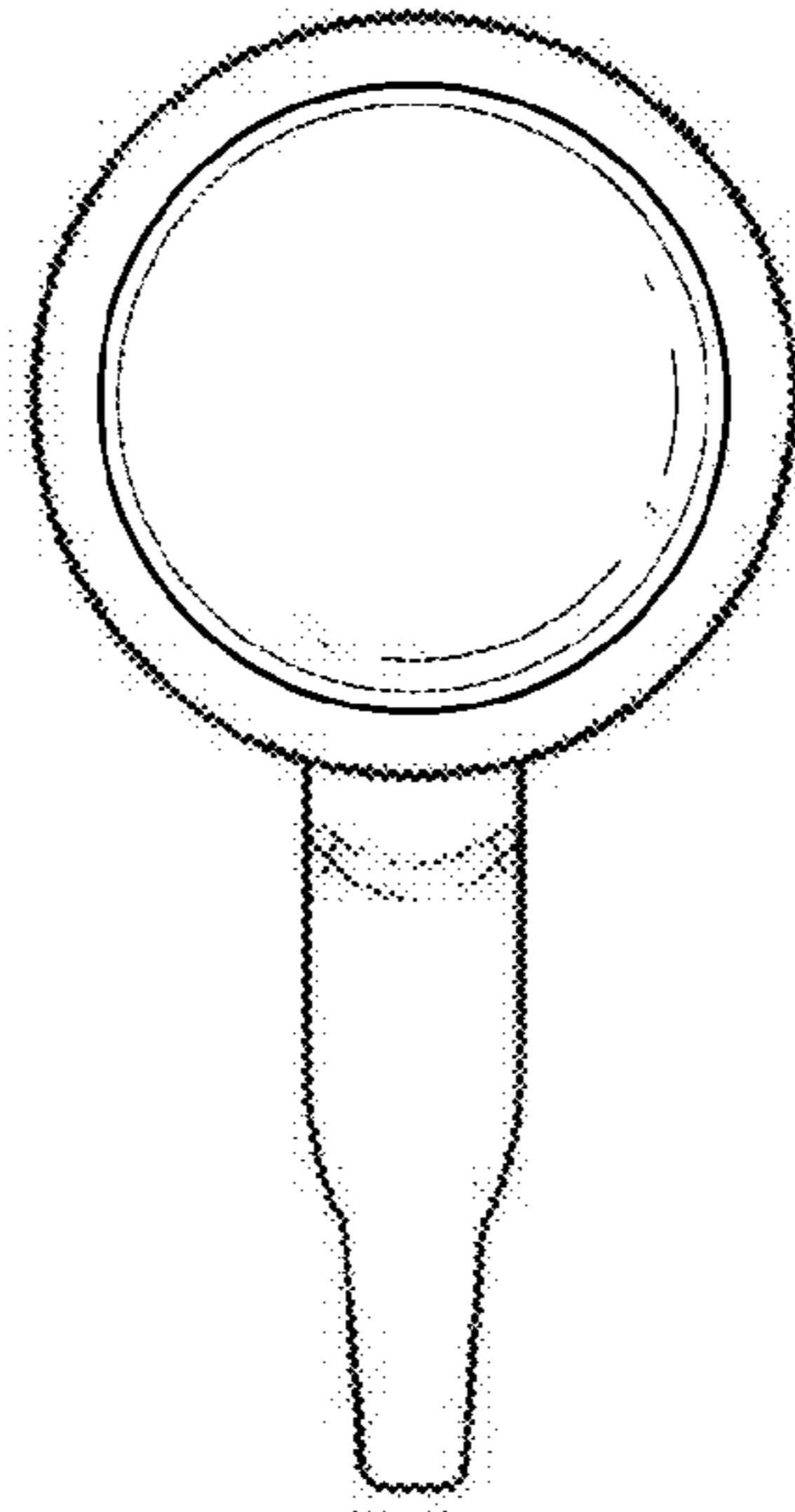


FIG. 6

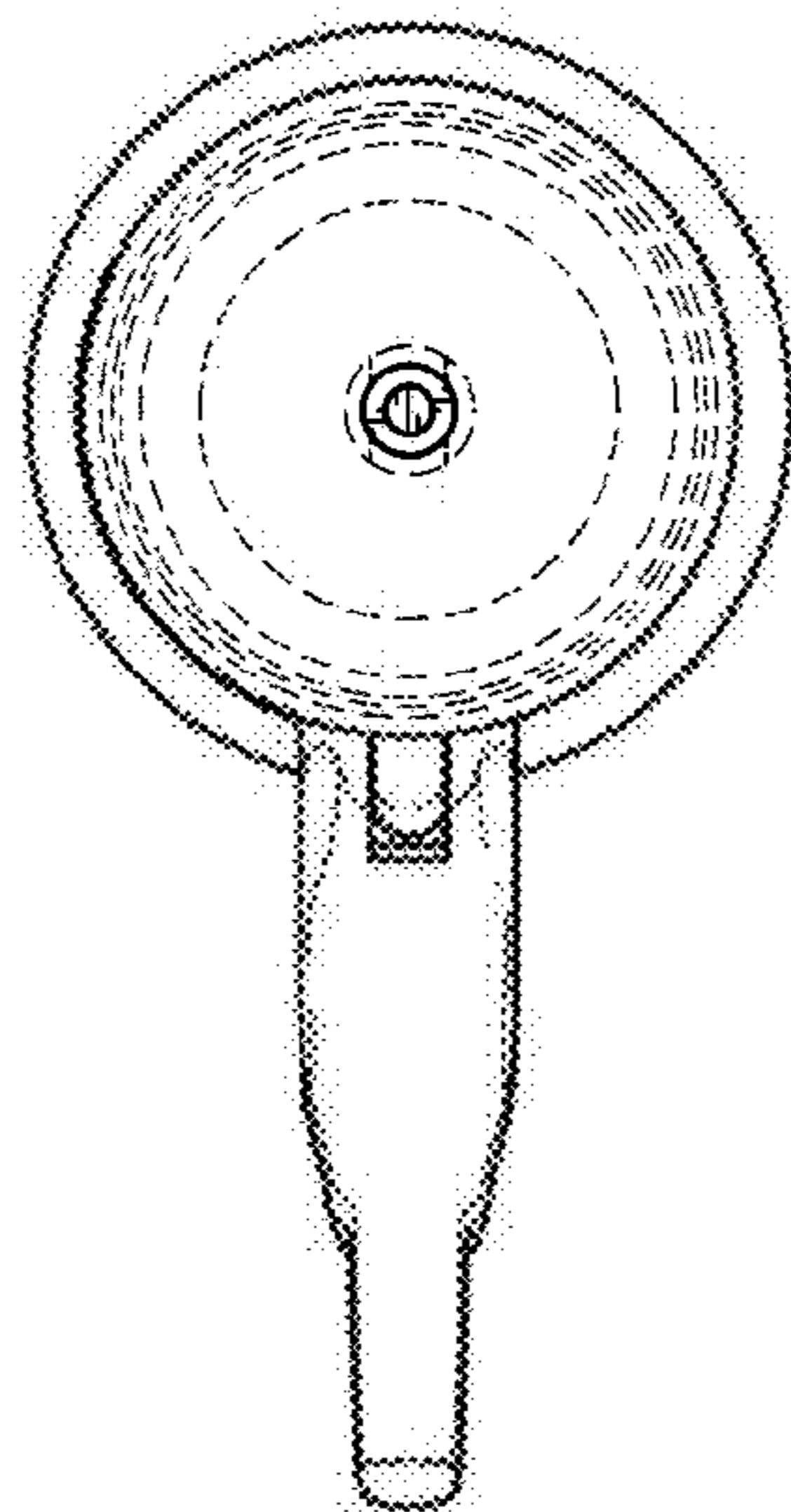


FIG. 7