



US00D742167S

(12) **United States Design Patent**
Keuhner

(10) **Patent No.:** **US D742,167 S**

(45) **Date of Patent:** **** Nov. 3, 2015**

(54) **BEVERAGE TAP HANDLE WITH MOUNT FOR IDENTIFICATION TAGS**

D273,837 S * 5/1984 De Coster D7/391
D290,088 S * 6/1987 Koeck D3/200
D338,102 S * 8/1993 McGuire et al. D3/207

(71) Applicant: **Daily Cellars, LLC**, Chantilly, VA (US)

(Continued)

(72) Inventor: **David M. Keuhner**, Stone Ridge, VA (US)

Primary Examiner — Marianne Pandozzi

Assistant Examiner — Jae Liang

(74) *Attorney, Agent, or Firm* — Polsinelli PC; Adam C. Rehm

(**) Term: **14 Years**

(57) **CLAIM**

(21) Appl. No.: **29/496,632**

The ornamental design for a beverage tap handle with mount for identification tags, as shown and described.

(22) Filed: **Jul. 15, 2014**

DESCRIPTION

(51) **LOC (10) CI.** **31-00**

(52) **U.S. CI.**
USPC **D7/398**; D7/397; D3/208; D3/207;
D11/95

(58) **Field of Classification Search**

USPC D7/397, 398, 213, 313, 393, 395, 515,
D7/539, 300.2, 619.1; D10/119.2, 68;
217/72, 98; 137/317, 318, 319;
222/145.7, 148, 113; D8/107; D6/403,
D6/404; 248/27.8; D2/909, 910, 911, 631;
D11/30, 44, 48, 53, 81, 99, 101, 157,
D11/160, 95; D21/313, 386, 396, 388, 414,
D21/490, 594; D99/21, 22; D4/107;
D3/200, 203.1, 203.2, 203.4, 203.5,
D3/204, 207, 208, 212, 266, 264, 215,
D3/322; D20/22, 19, 23, 28, 40, 43, 44,
D20/99; D5/63; D30/155
CPC B25F 1/02; B25F 5/02; B25F 5/023;
B25F 5/026; B65D 5/46; B65D 47/24; B65D
47/2093; F16K 23/00

See application file for complete search history.

FIG. 1 is a perspective view of a first embodiment of a beverage tap handle with mount for identification tags showing my new design;

FIG. 2 is a front view thereof; the rear view being a mirror image thereof;

FIG. 3 is a right side view thereof; the left side view being a mirror image thereof;

FIG. 4 is a top plan view thereof;

FIG. 5 is a bottom view thereof;

FIG. 6 is a perspective view of a second embodiment of a beverage tap handle with mount for identification tags;

FIG. 7 is a front view thereof; the rear view being a mirror image thereof;

FIG. 8 is a right side view thereof;

FIG. 9 is a left side view thereof;

FIG. 10 is a top plan view thereof;

FIG. 11 is a bottom view thereof;

FIG. 12 is a perspective view of a third embodiment of a beverage tap handle with mount for identification tags;

FIG. 13 is a front view thereof; the rear view being a mirror image thereof; ps FIG. 14 is a right side view thereof;

FIG. 15 is a left side view thereof;

FIG. 16 is a top plan view thereof; and,

FIG. 17 is a bottom view thereof.

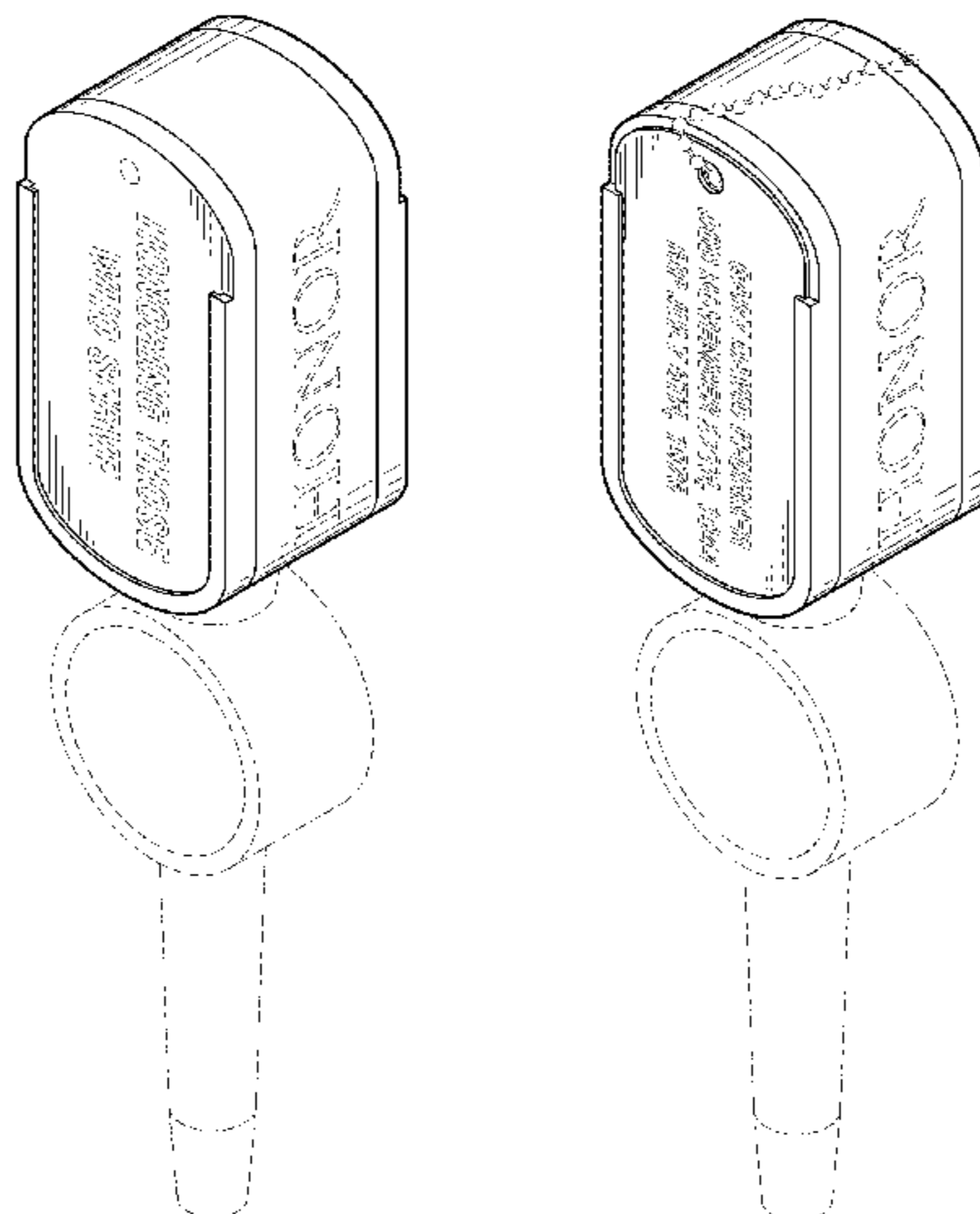
The broken line showing in the figure drawings are included for the purpose of illustration and form no part of the claimed design.

(56) **References Cited**

U.S. PATENT DOCUMENTS

2,716,483 A * 8/1955 Nauman 206/0.81
D176,944 S * 2/1956 Galloway D21/386
D226,361 S * 2/1973 Derby D3/207
D228,976 S * 10/1973 Wilson et al. D7/311

1 Claim, 9 Drawing Sheets



(56)

References Cited

U.S. PATENT DOCUMENTS

D354,656 S *	1/1995	Strawbridge	D7/398	D622,955 S *	9/2010	Mudrick et al.	D3/208
D369,902 S *	5/1996	Petruzzi	D3/208	D685,031 S *	6/2013	Holtz et al.	D20/22
D388,602 S *	1/1998	Petruzzi	D3/208	D689,689 S *	9/2013	Magno	D3/203.2
D396,994 S *	8/1998	Carrino	D7/393	D690,155 S *	9/2013	Rupp	D7/398
D405,841 S *	2/1999	Hasegawa	D21/386	8,616,652 B1 *	12/2013	Wells	297/423.39
D411,710 S *	6/1999	Watters et al.	D7/398	D699,512 S *	2/2014	Stellmach et al.	D7/398
D475,888 S *	6/2003	Celli	D7/398	D703,990 S *	5/2014	Henderson	D7/306
D485,121 S *	1/2004	Ahlgrim et al.	D7/398	D704,504 S *	5/2014	Dobbie	D7/395
D491,314 S *	6/2004	Cousins	D28/77	D706,574 S *	6/2014	Krus	D7/395
D566,785 S *	4/2008	Quach	D21/396	D720,525 S *	1/2015	Magno	D3/203.2
					2008/0266837 A1 *	10/2008	Mehler et al.	362/103
					2011/0296728 A1 *	12/2011	Bolt	40/649

* cited by examiner

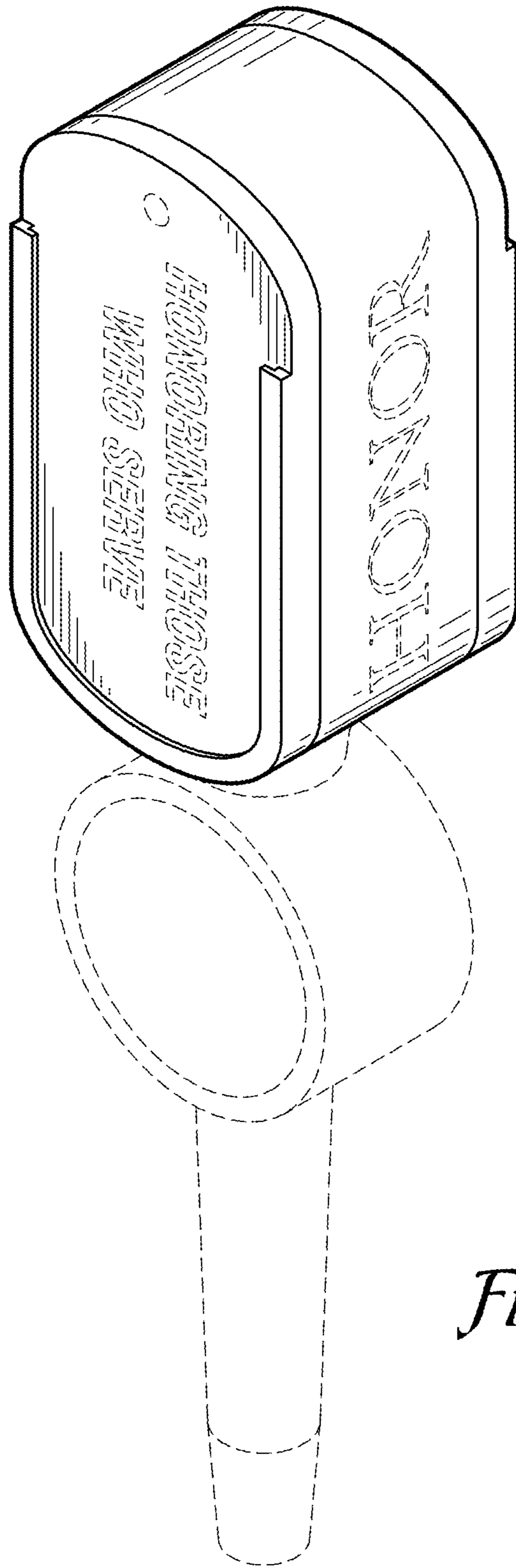


Fig. 1

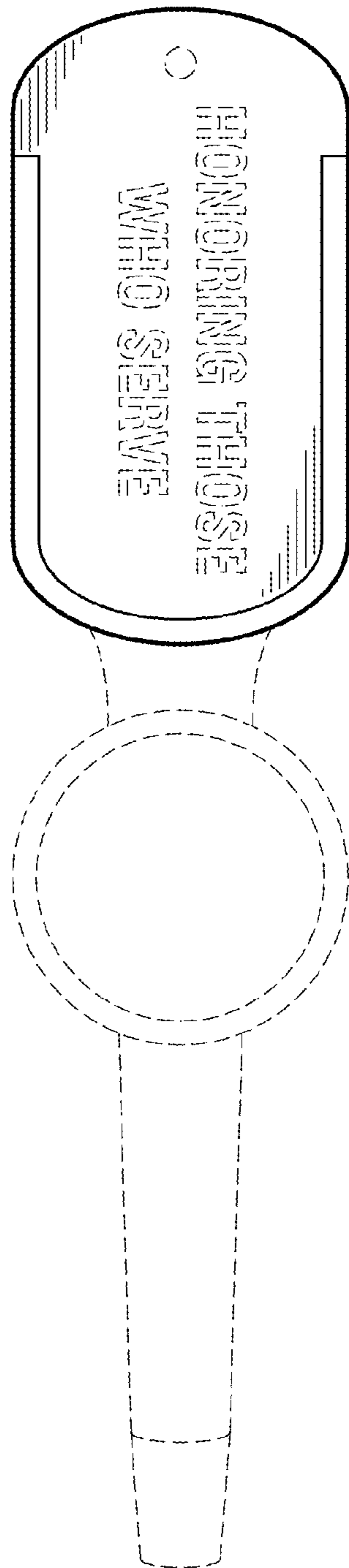


Fig. 2

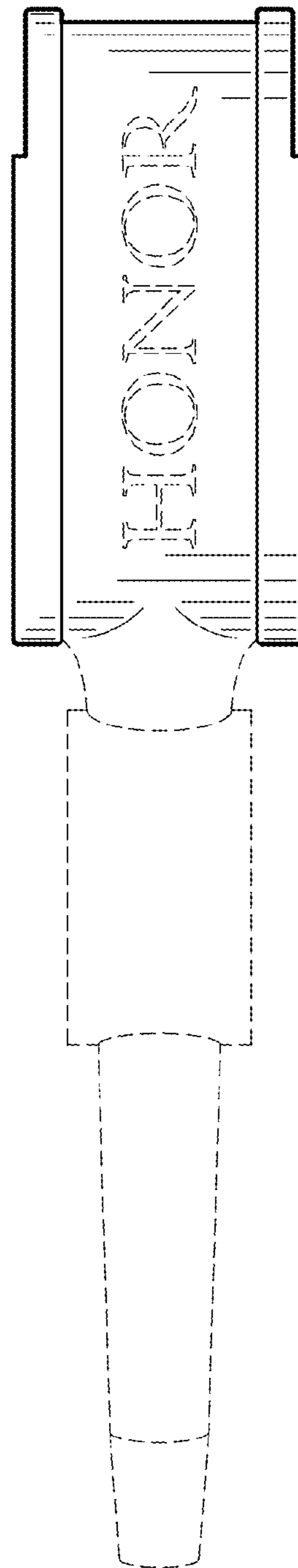


Fig. 3

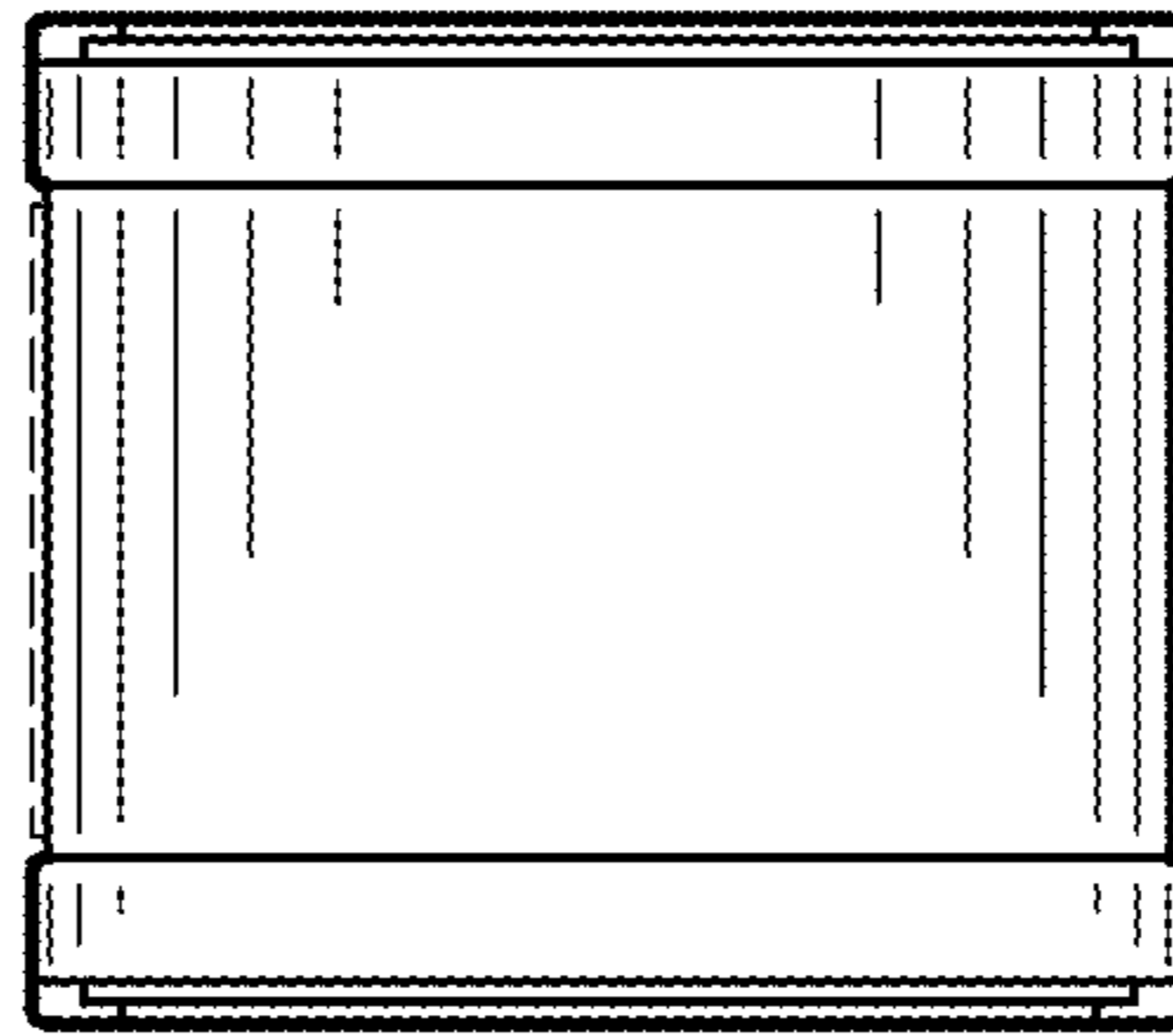


Fig. 4

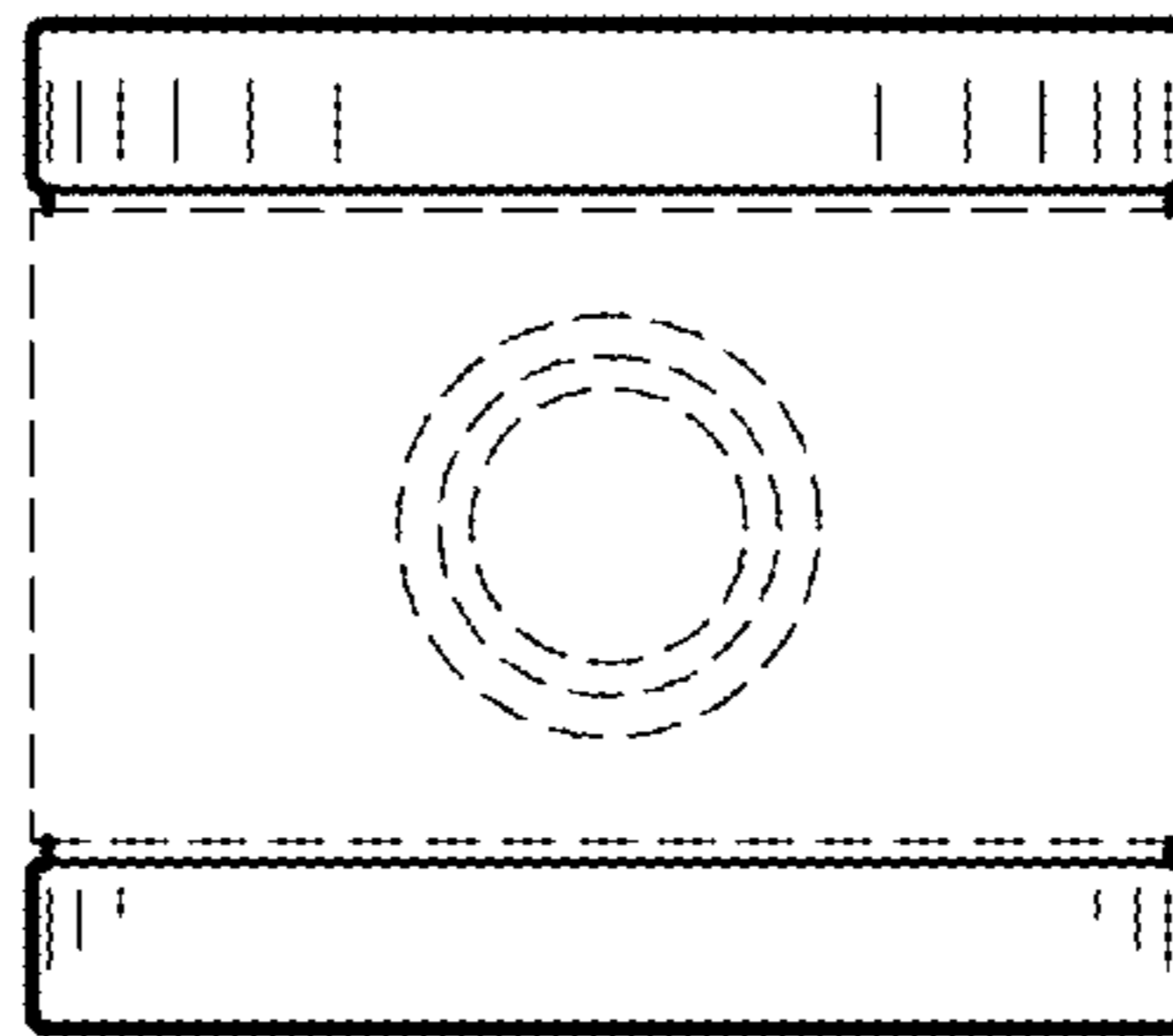


Fig. 5

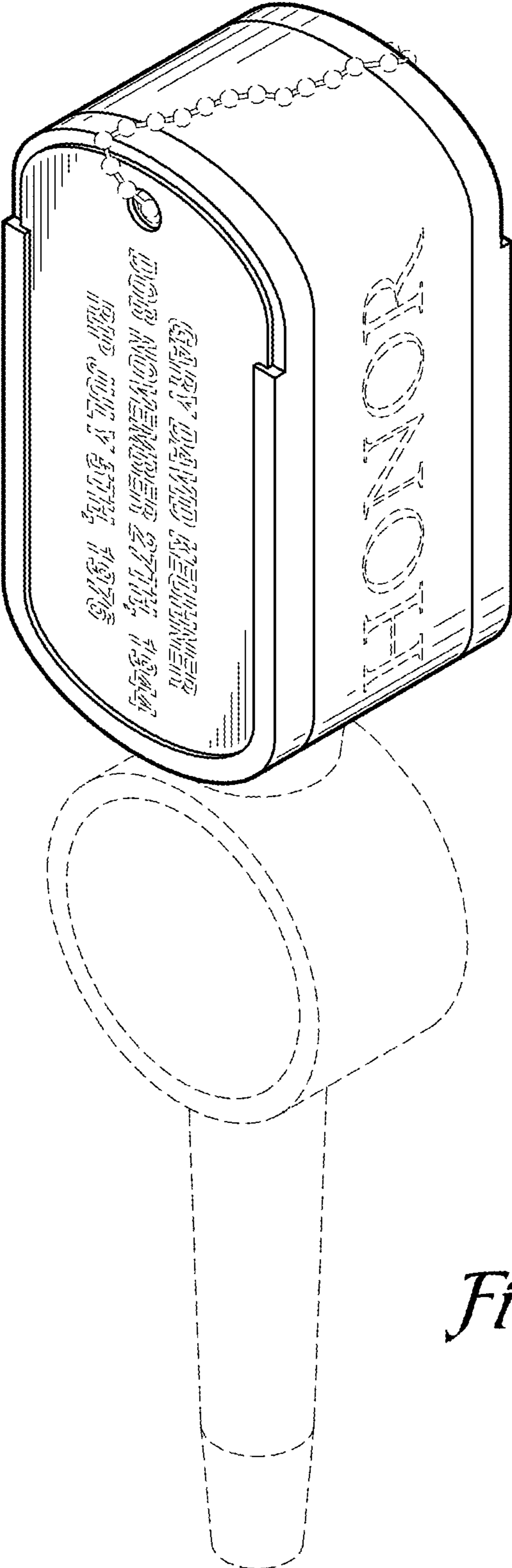


Fig. 6

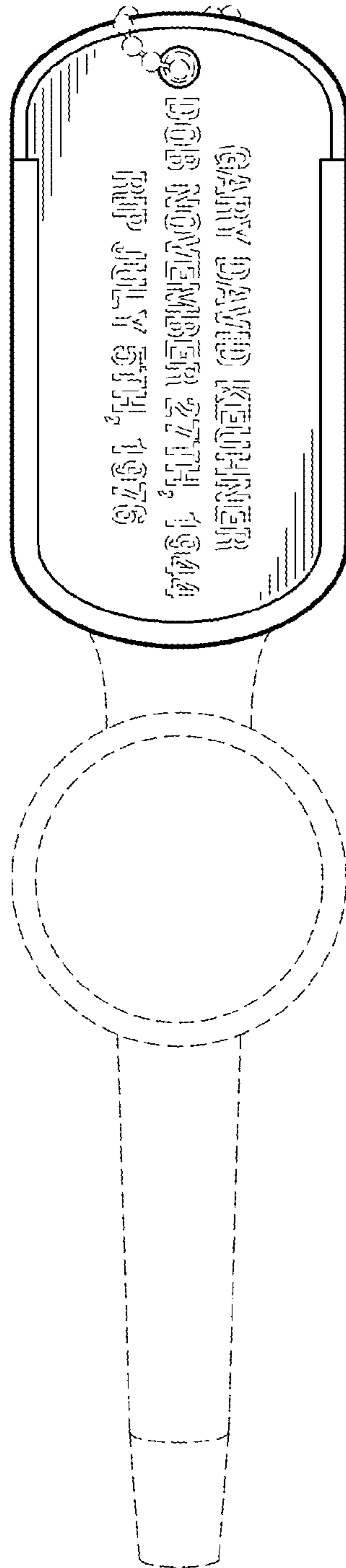


Fig. 7

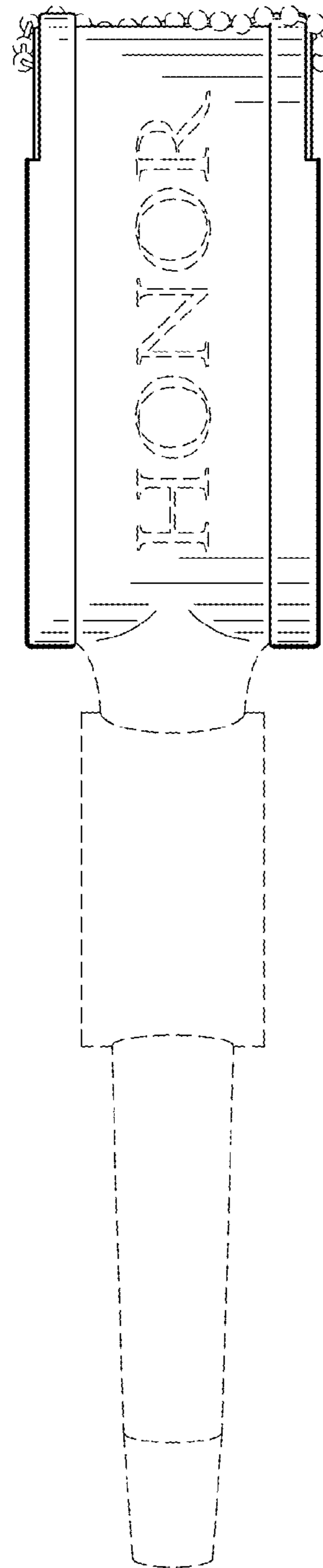


Fig. 8

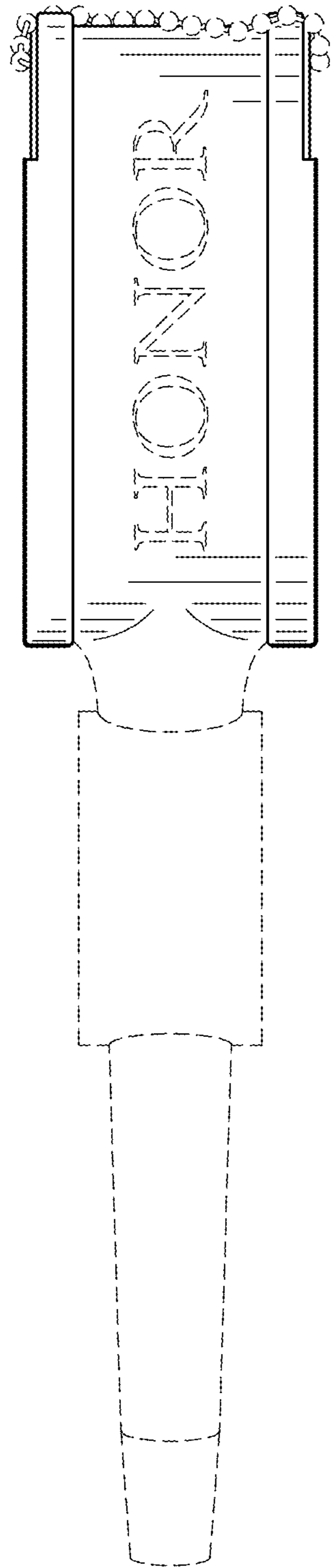


Fig. 9

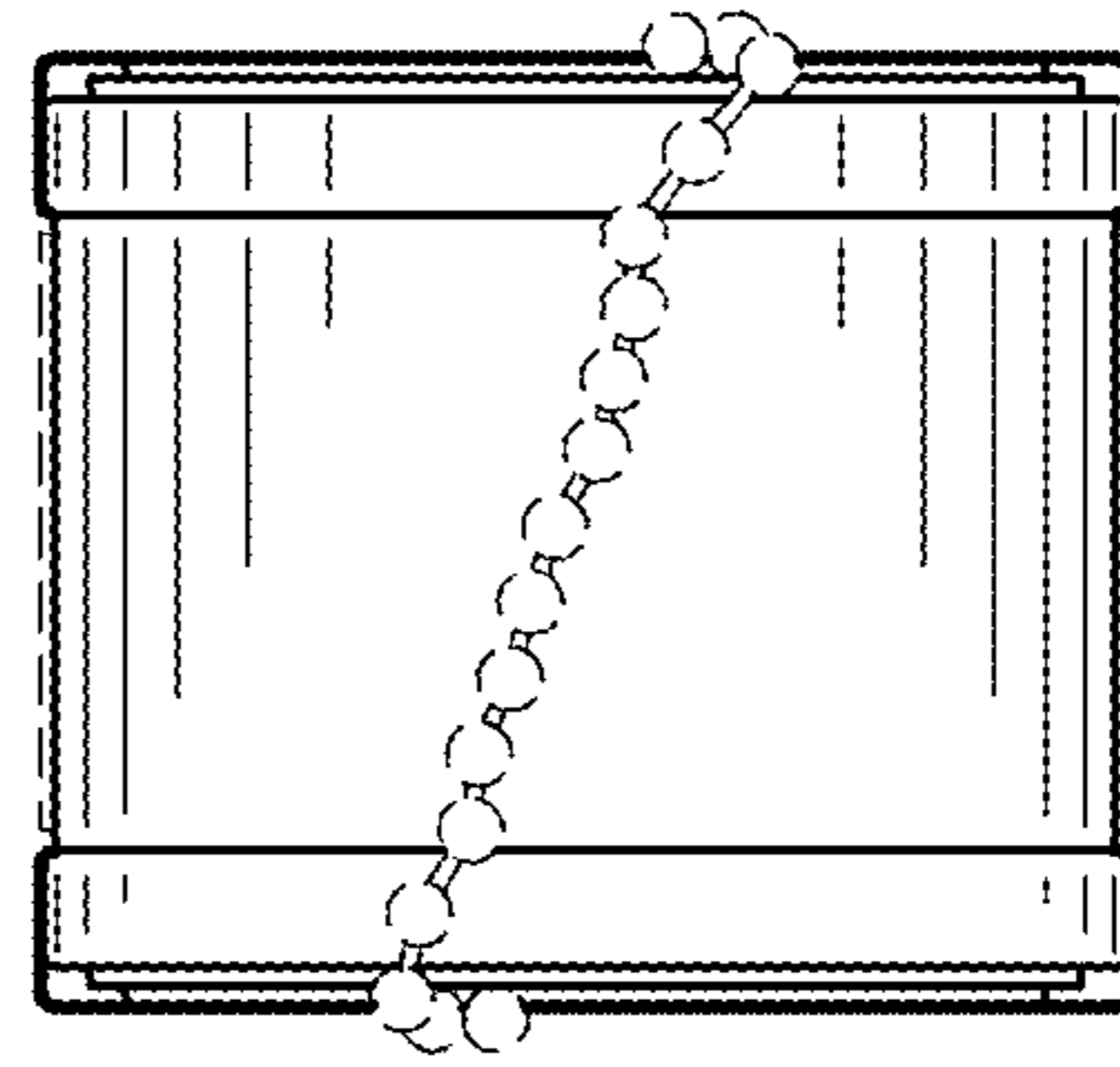


Fig. 10

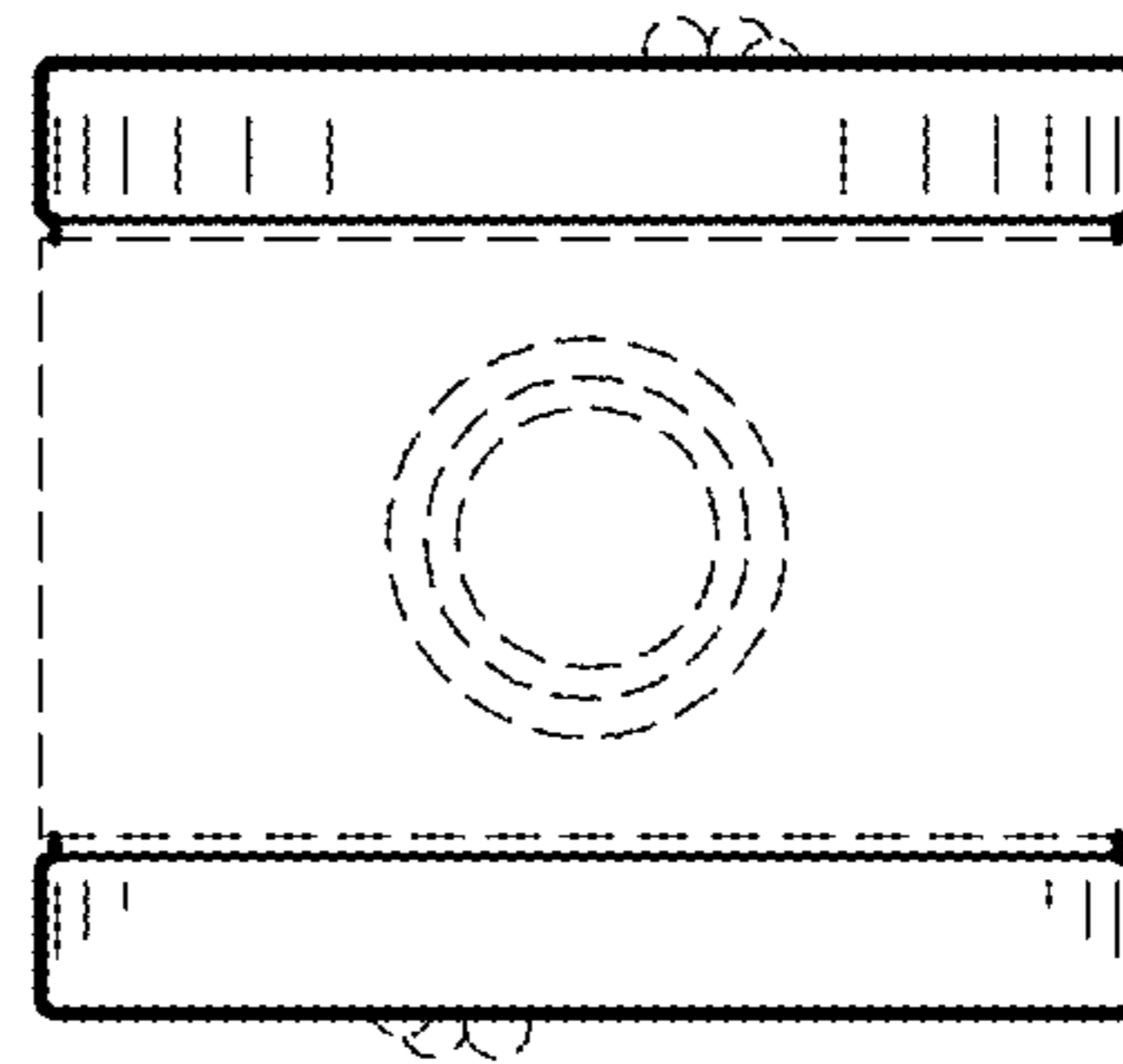


Fig. 11

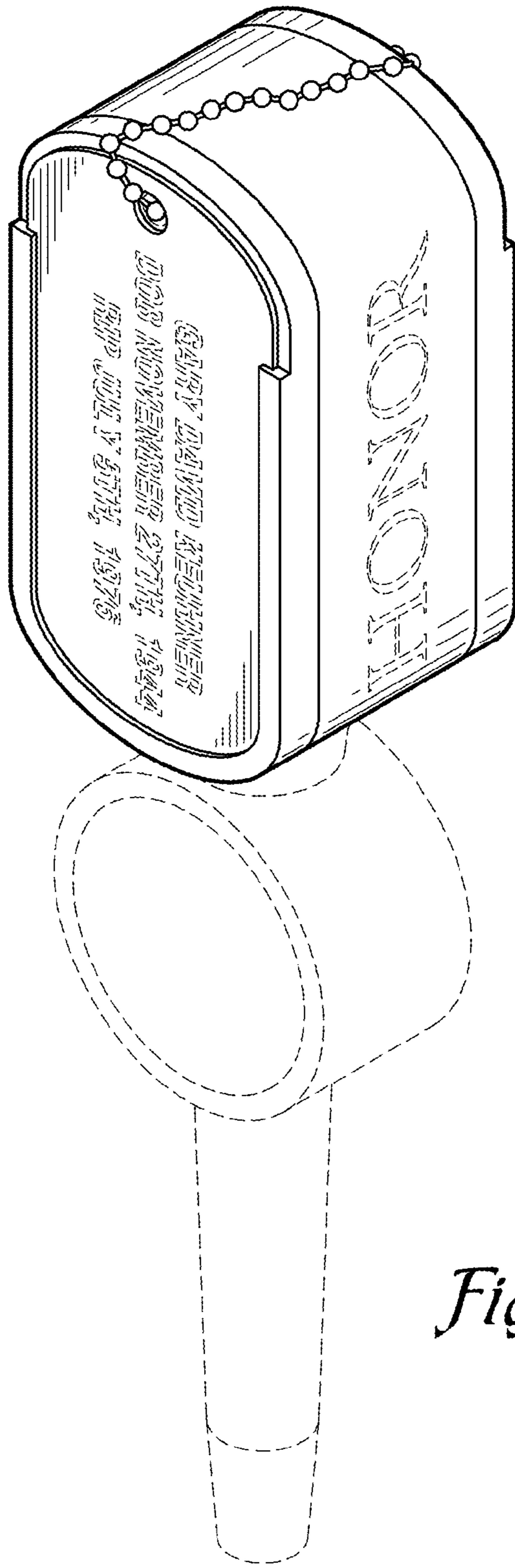


Fig. 12

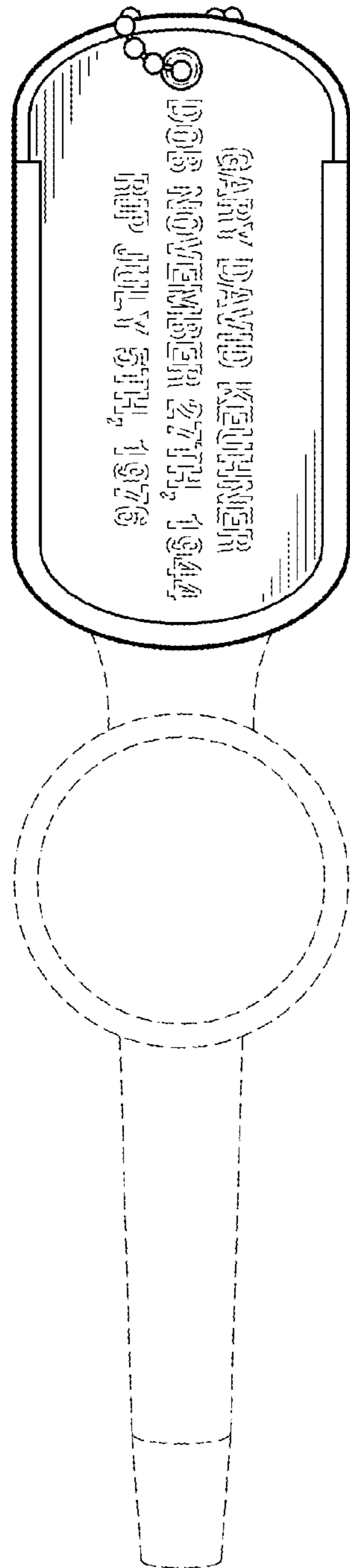


Fig. 13

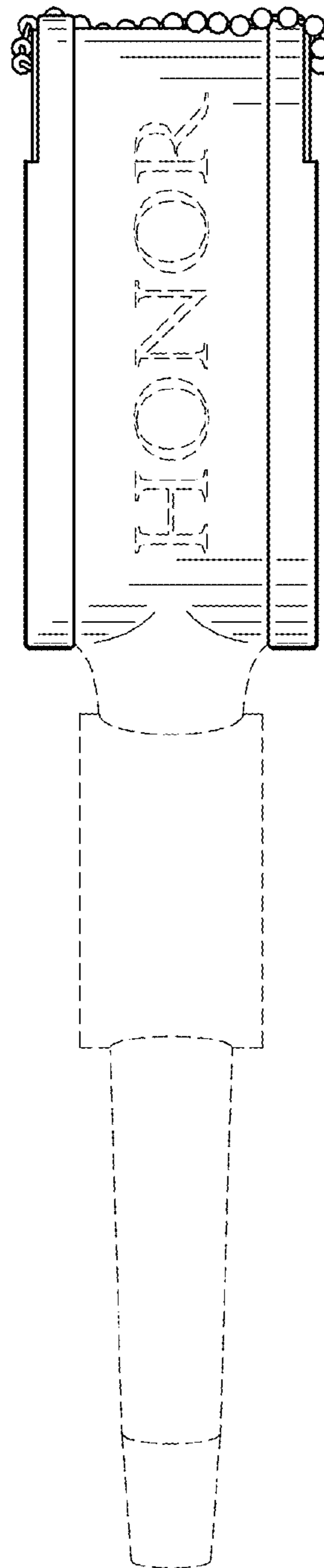


Fig. 14

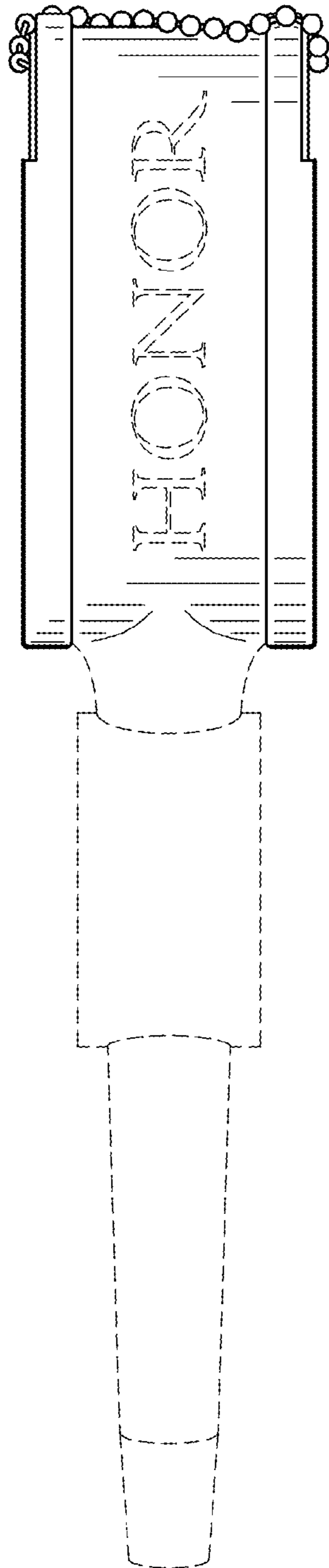


Fig. 15

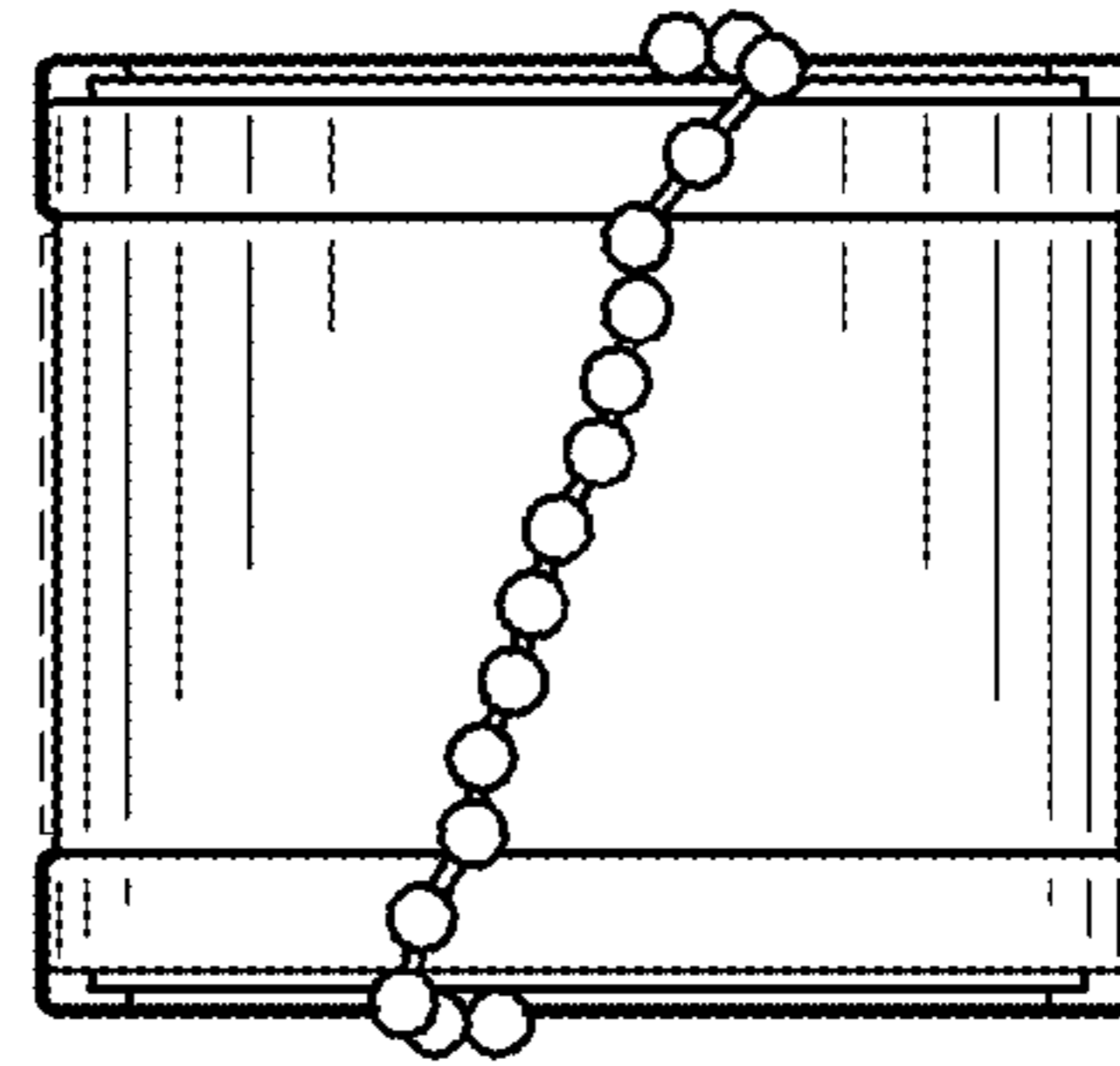


Fig. 16

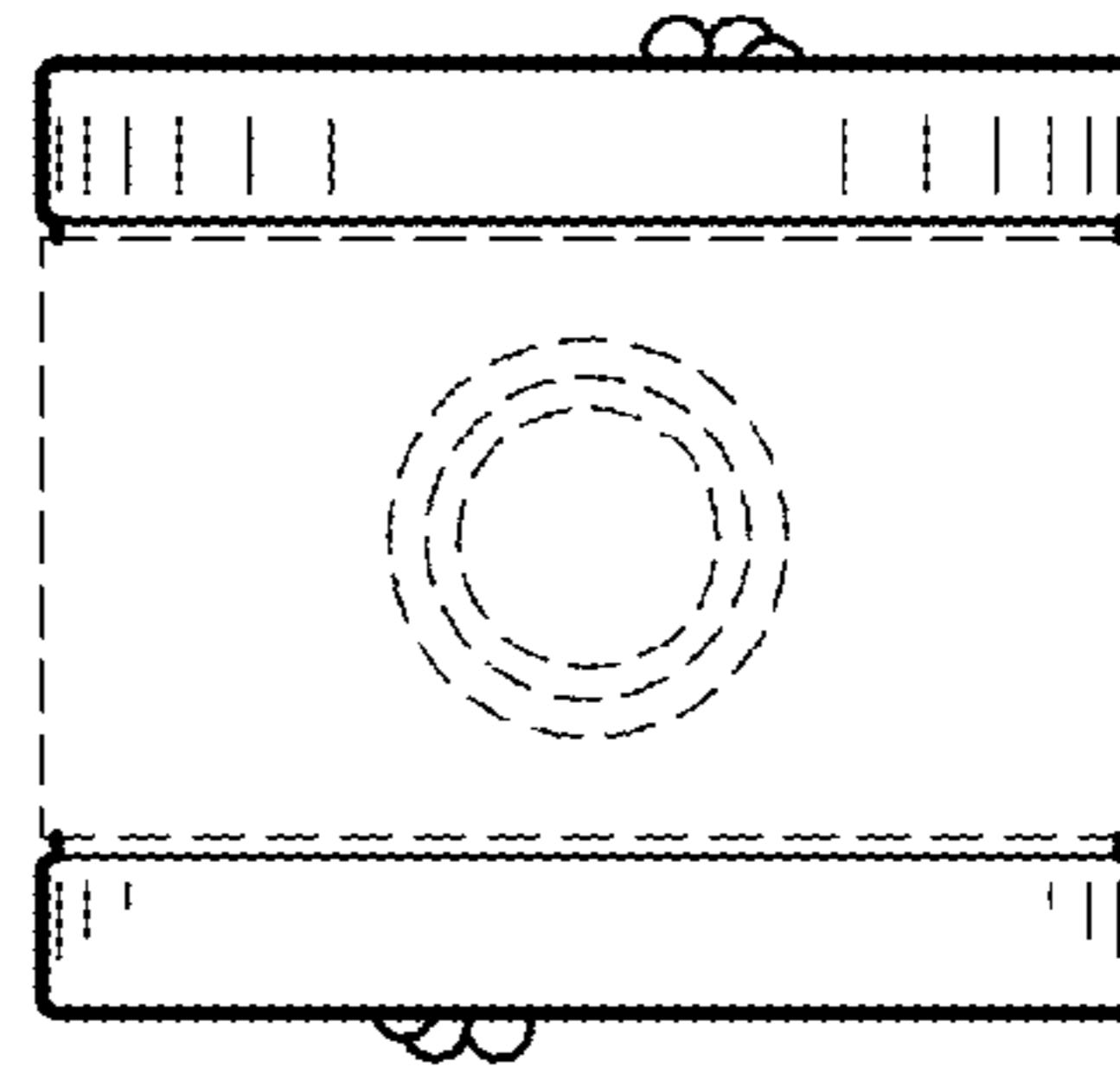


Fig. 17