

US00D742163S

(12) **United States Design Patent**  
**De'Longhi et al.**

(10) **Patent No.:** **US D742,163 S**

(45) **Date of Patent:** **\*\* Nov. 3, 2015**

(54) **OVEN**

(71) Applicant: **De'Longhi Appliances S.R.L. Con Unico Socio**, Treviso (IT)

(72) Inventors: **Giuseppe De'Longhi**, Treviso (IT);  
**Francesco Fiorotto**, Roncade (IT)

(73) Assignee: **De'Longhi Appliances S.R.L. Con Socio Unico**, Trieste (IT)

(\*\*) Term: **14 Years**

(21) Appl. No.: **29/497,889**

(22) Filed: **Jul. 29, 2014**

(30) **Foreign Application Priority Data**

Jan. 30, 2014 (EM) ..... 2395749-0004

(51) **LOC (10) Cl.** ..... **07-02**

(52) **U.S. Cl.**  
USPC ..... **D7/350.1**

(58) **Field of Classification Search**  
USPC ..... D7/350.1-350.4, 351, 402, 405, 406;  
126/19 R, 19 M, 41 R; 219/391, 725,  
219/756-758; 99/DIG. 14  
See application file for complete search history.

(56) **References Cited**

**U.S. PATENT DOCUMENTS**

D380,643 S \* 7/1997 Piret ..... D7/350.4  
D415,926 S \* 11/1999 De'Longhi ..... D7/350.4  
D420,245 S \* 2/2000 De'Longhi ..... D7/350.4

D461,091 S \* 8/2002 Chen ..... D7/350.4  
D521,799 S \* 5/2006 Ledingham et al. .... D7/350.1  
D602,306 S \* 10/2009 Lavy ..... D7/350.1  
D614,906 S \* 5/2010 Fiorotto ..... D7/350.1  
D629,639 S \* 12/2010 Fernandez et al. .... D7/350.1  
D635,815 S \* 4/2011 De'Longhi ..... D7/350.1  
D639,104 S \* 6/2011 Duncan et al. .... D7/350.1  
D644,309 S \* 8/2011 De'Longhi ..... D23/343  
D662,349 S \* 6/2012 Ho et al. .... D7/350.1  
D663,156 S \* 7/2012 Curtis et al. .... D7/350.1  
D673,000 S \* 12/2012 De' Longhi ..... D7/350.1  
D678,711 S \* 3/2013 Reiner ..... D7/350.1  
8,723,084 B2 \* 5/2014 De'Longhi ..... 219/393  
D708,005 S \* 7/2014 Kurt ..... D7/350.4  
2007/0114220 A1 \* 5/2007 De'Longhi ..... 219/392  
2012/0000900 A1 \* 1/2012 De'Longhi ..... 219/393  
2012/0192850 A1 \* 8/2012 Hensel et al. .... 126/19 M

\* cited by examiner

*Primary Examiner* — Ruth McInroy

(74) *Attorney, Agent, or Firm* — Flaster/Greenberg P.C.

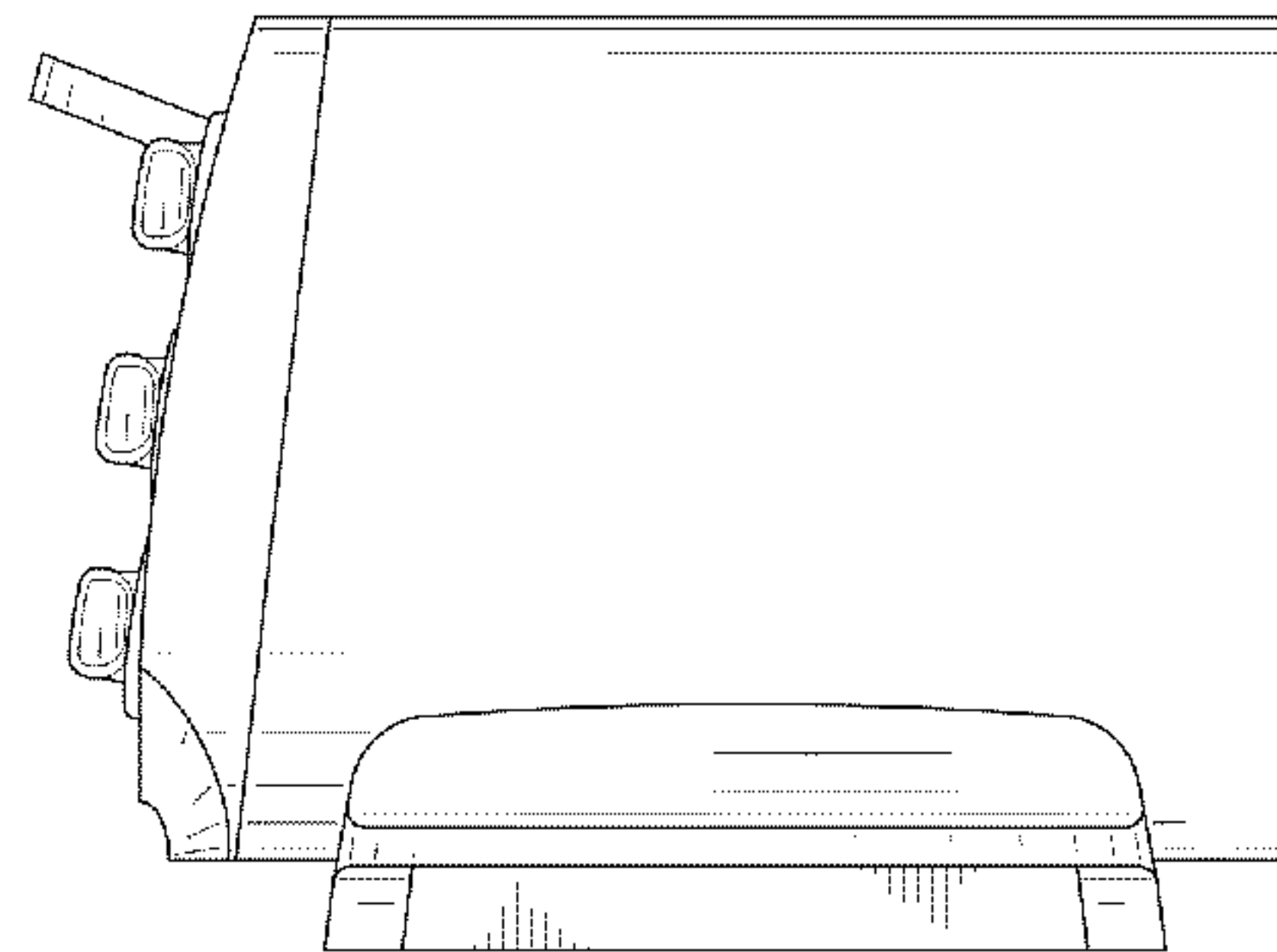
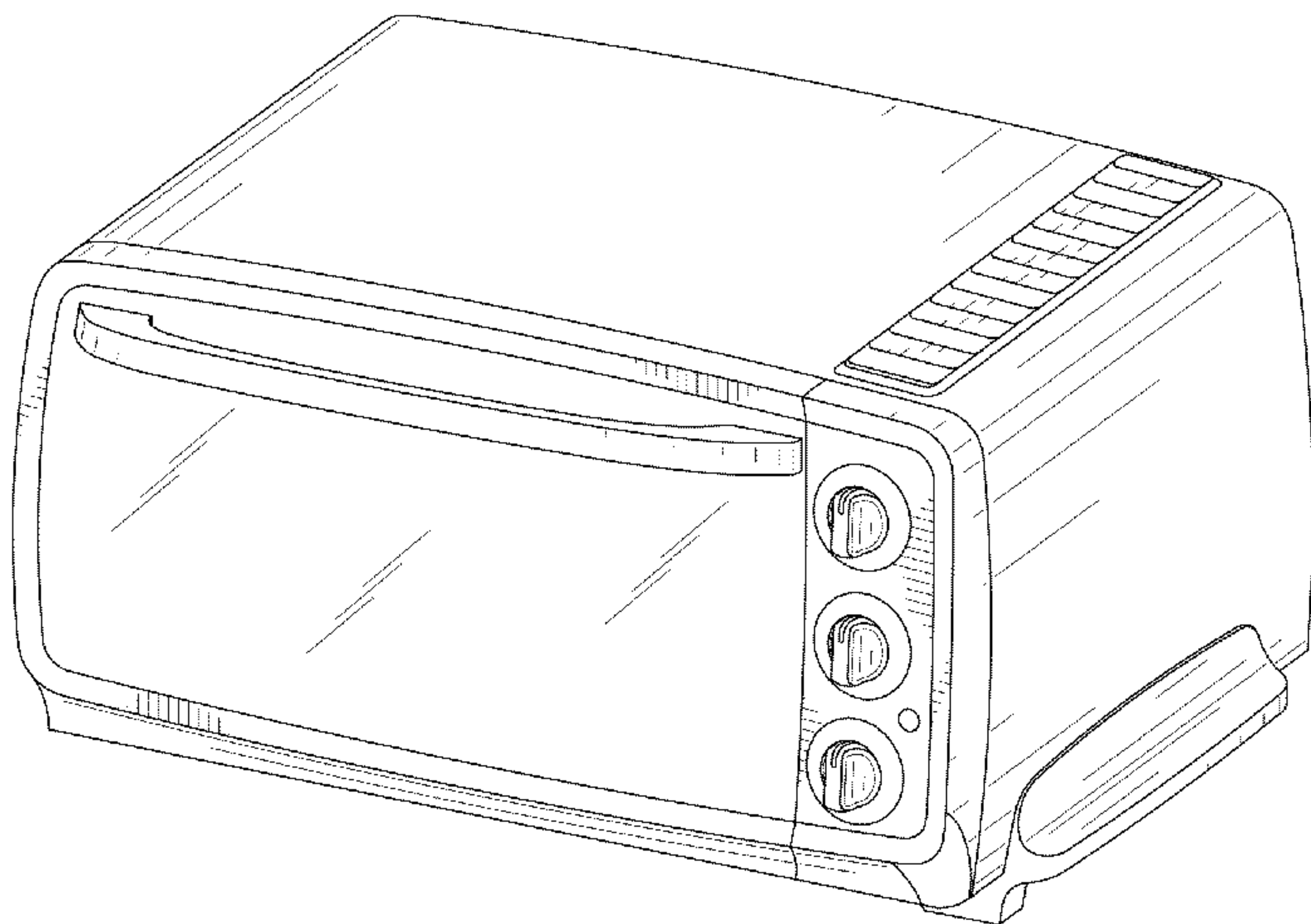
(57) **CLAIM**

We claim the ornamental design for an oven, as shown and described.

**DESCRIPTION**

FIG. 1 is a perspective view of an oven;  
FIG. 2 is a front evaluational view of the oven of FIG. 1;  
FIG. 3 is a rear elevational view of the oven of FIG. 1;  
FIG. 4 is a left side view of the oven of FIG. 1;  
FIG. 5 is a right side elevational view of the oven of FIG. 1;  
FIG. 6 is a top plan view of the oven of FIG. 1; and,  
FIG. 7 is a bottom plan view of the oven of FIG. 1.

**1 Claim, 7 Drawing Sheets**



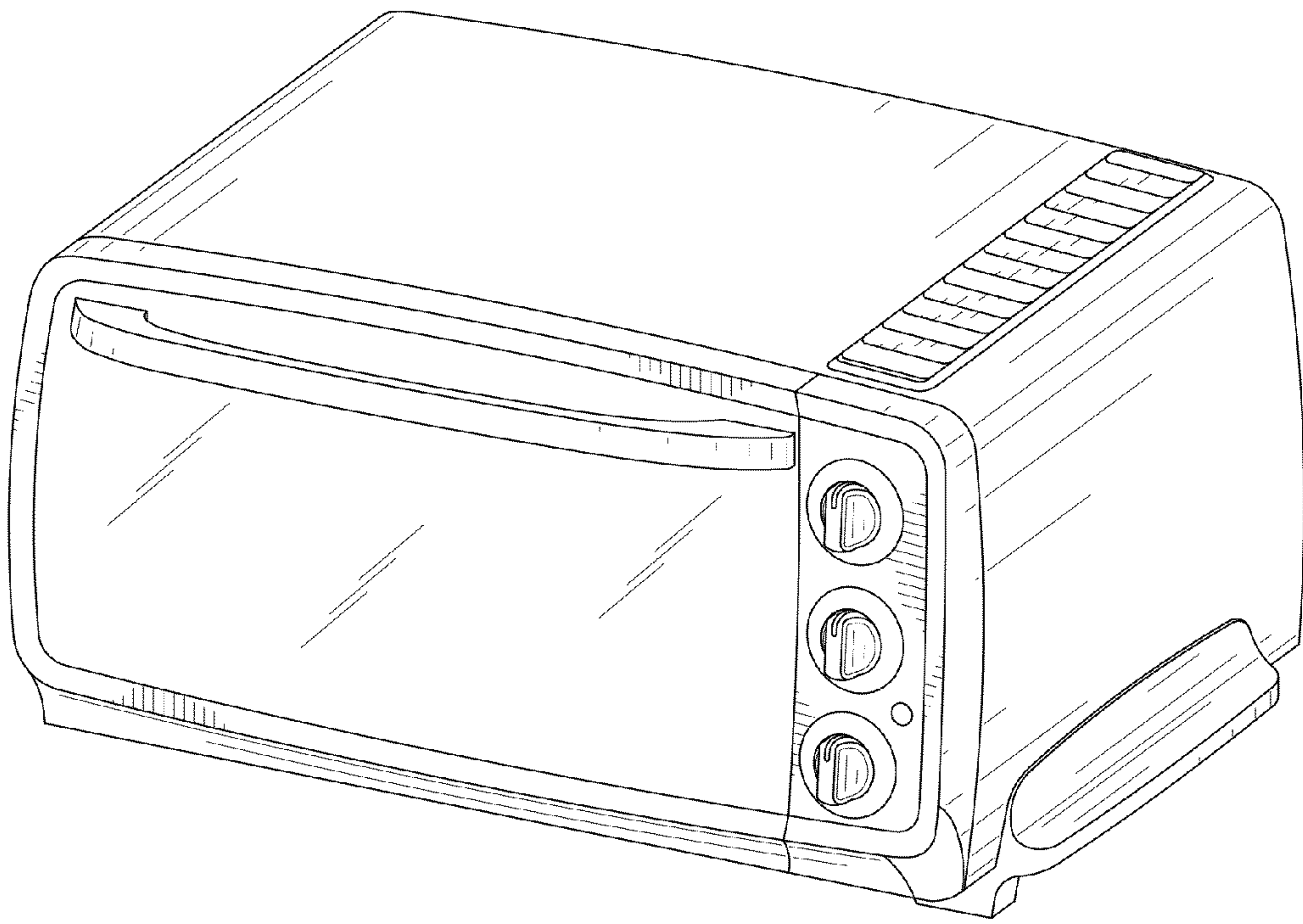


FIG. 1

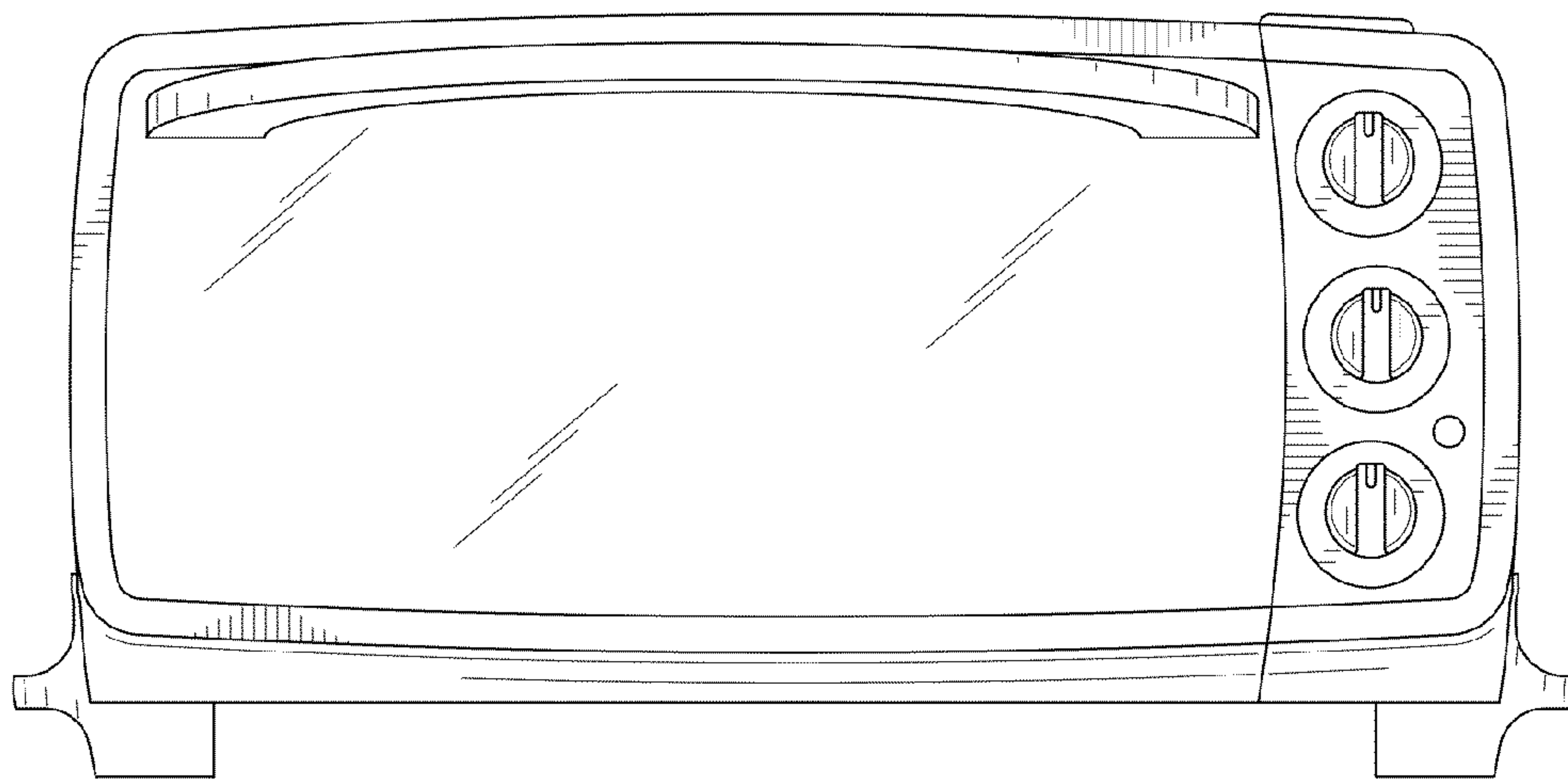


FIG. 2

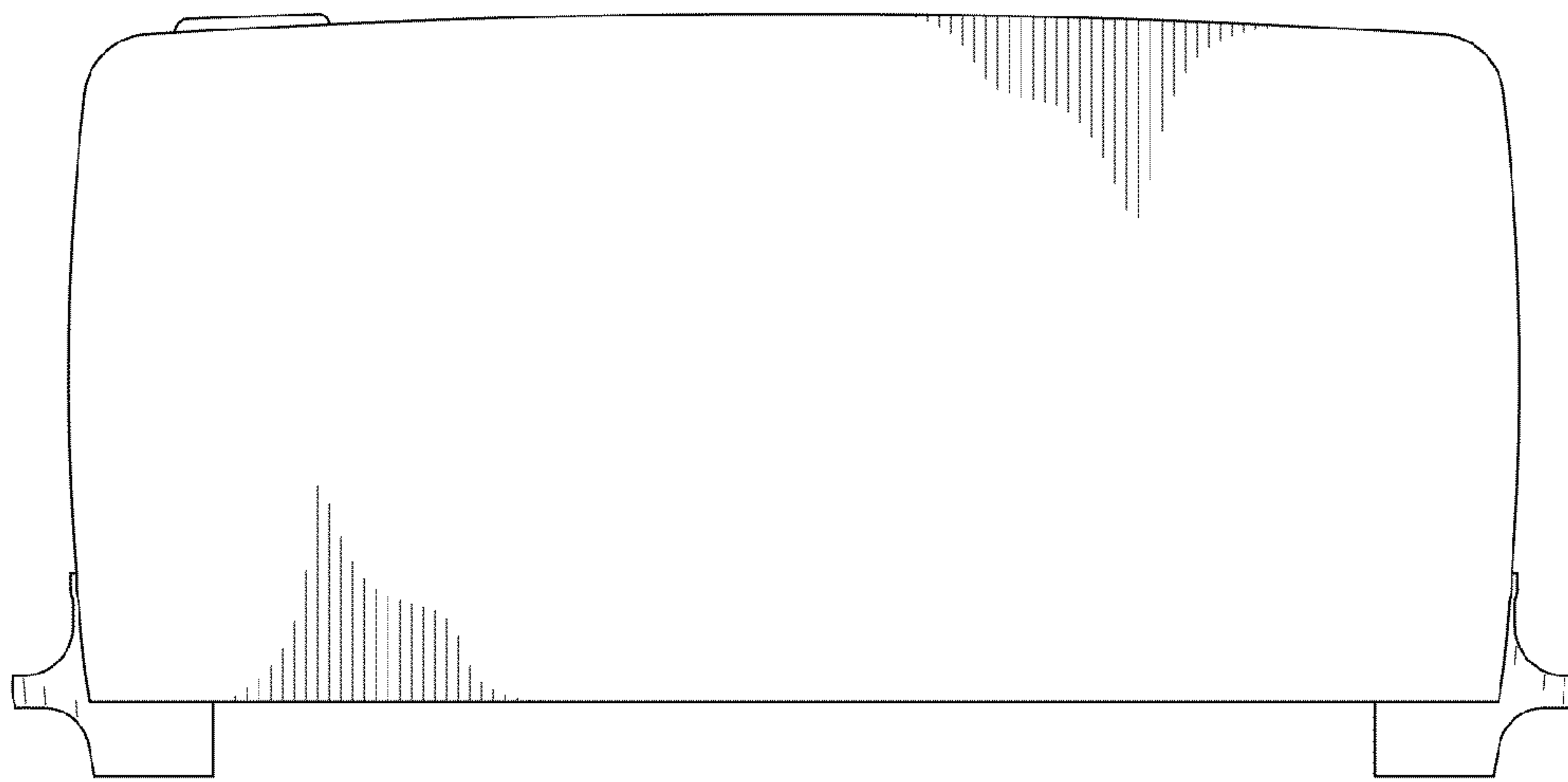


FIG. 3

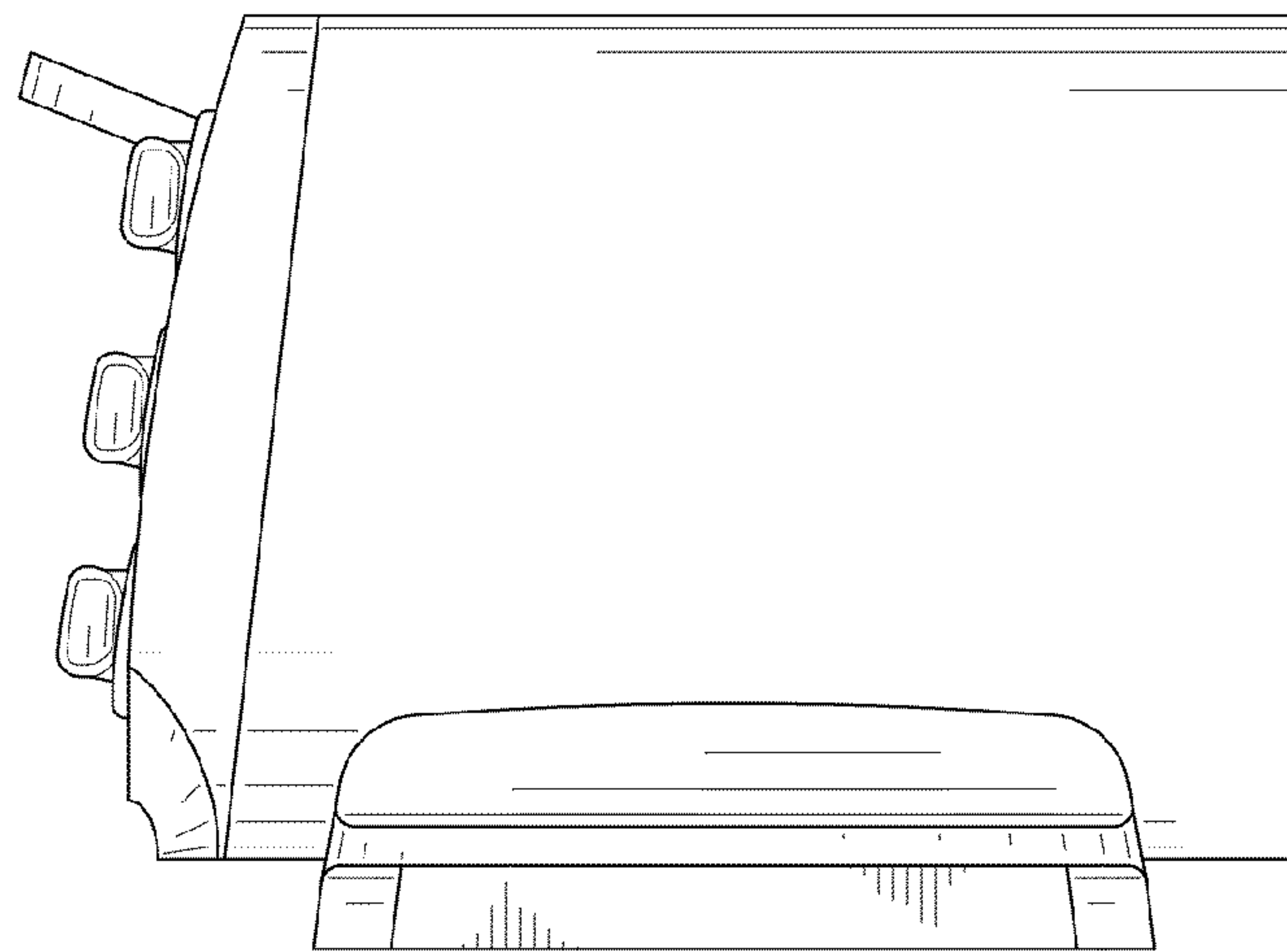


FIG.4

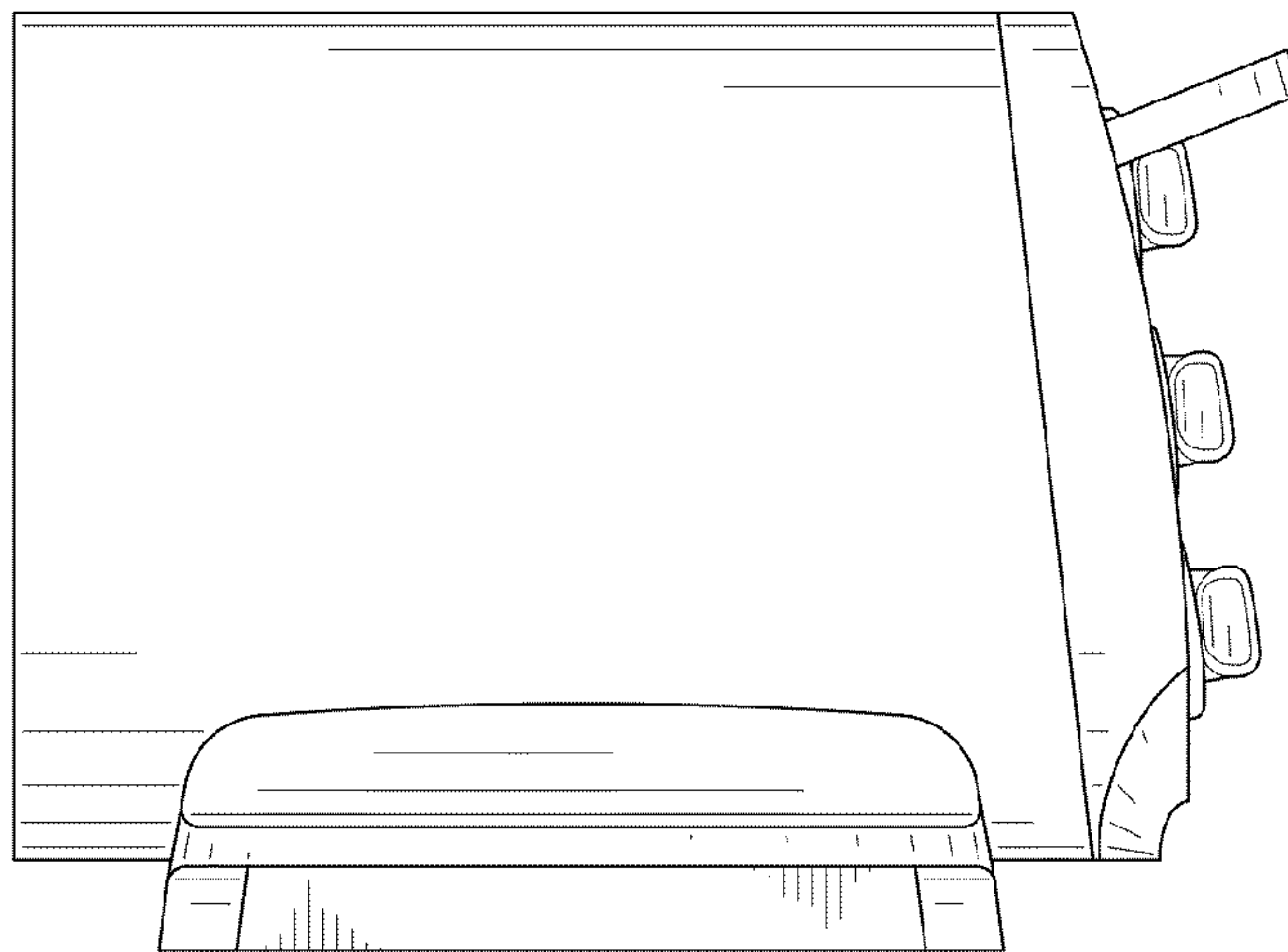


FIG. 5

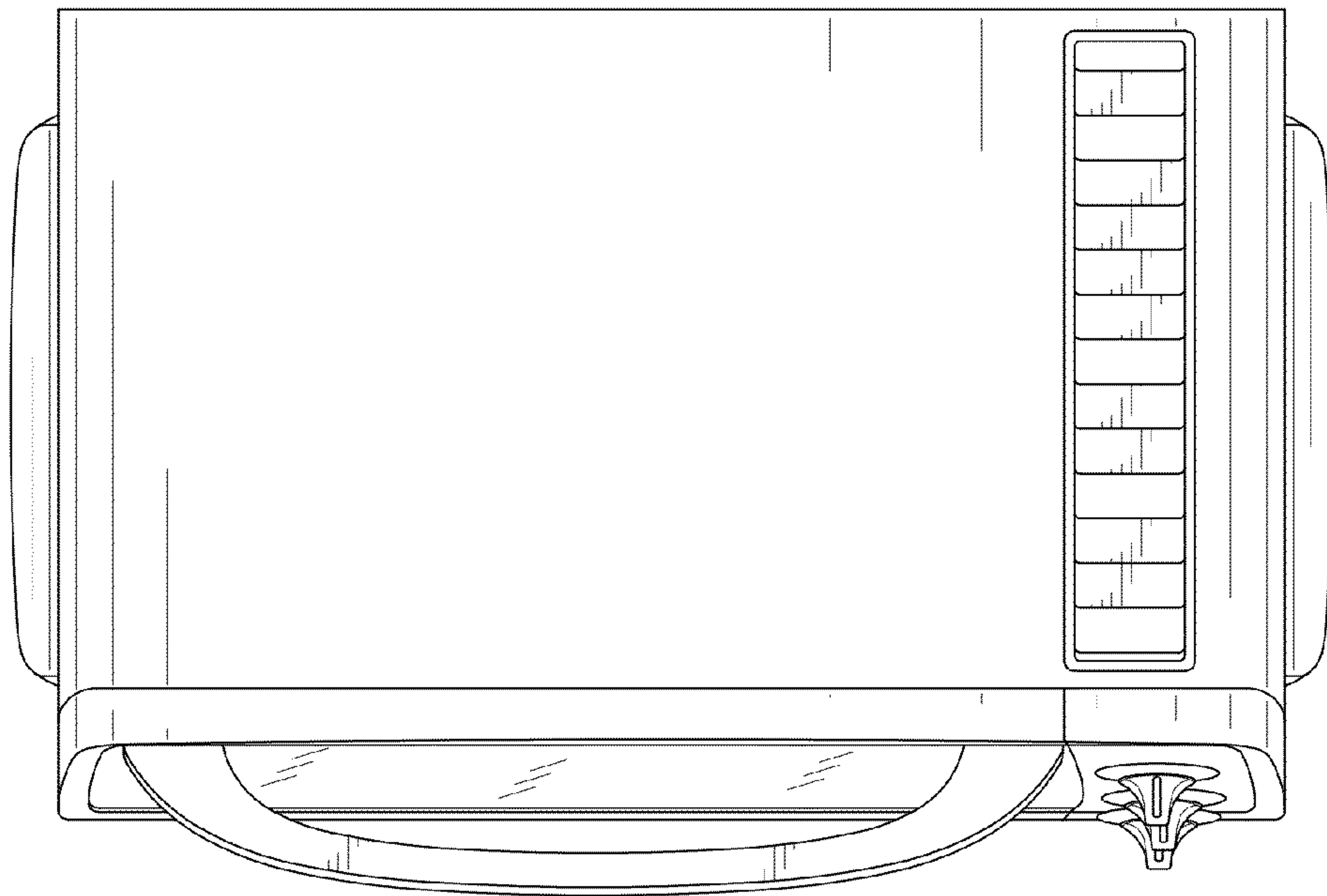


FIG.6



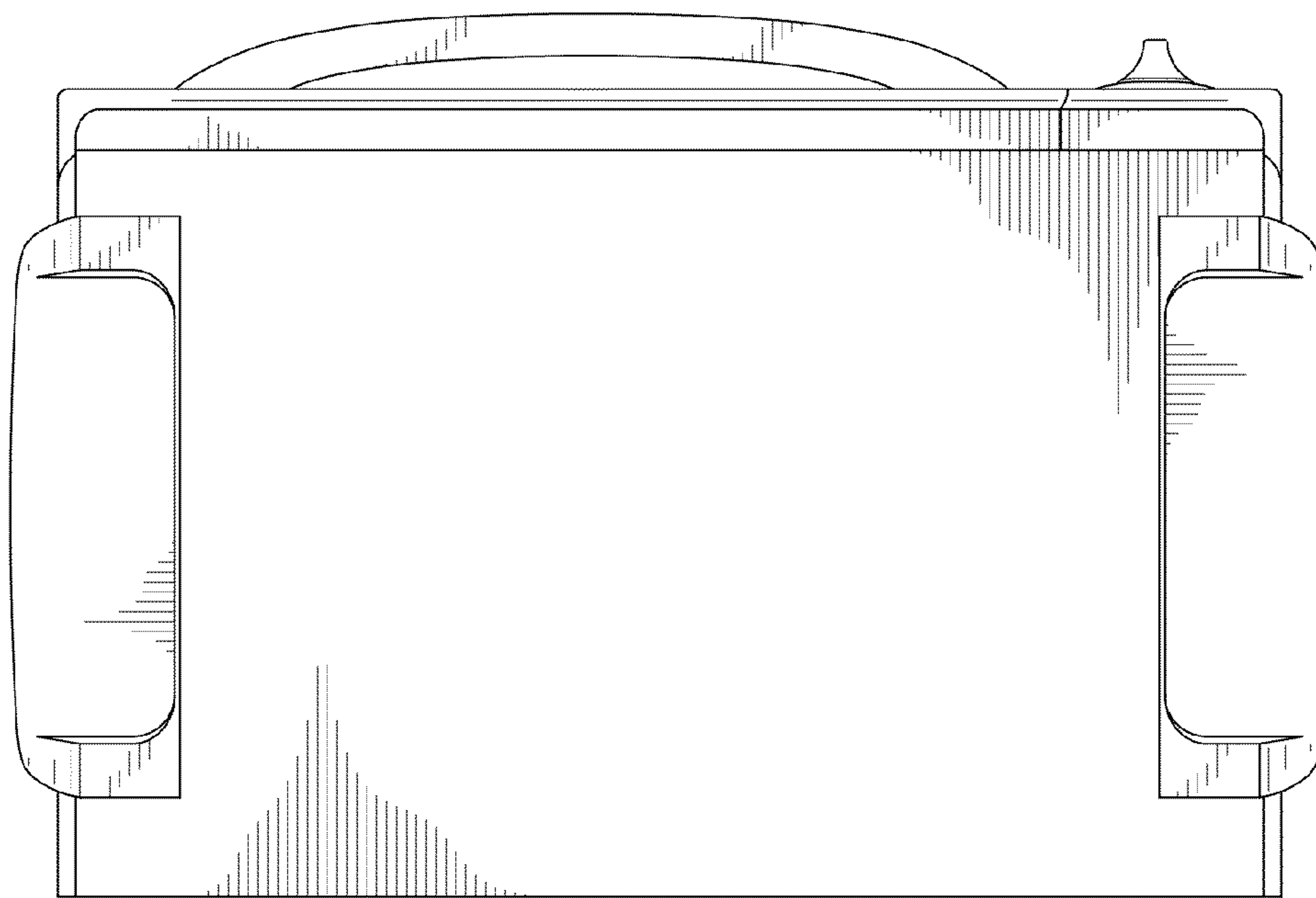


FIG. 7