



US00D742161S

(12) **United States Design Patent**
Manly et al.

(10) **Patent No.:** **US D742,161 S**
(45) **Date of Patent:** **** Nov. 3, 2015**

(54) **BEVERAGE CARAFE**

CPC A47J 31/14; A47J 36/14; A47J 31/005;
A47J 31/00; A47G 19/14; A47G 19/2272
See application file for complete search history.

(71) Applicant: **Keurig Green Mountain, Inc.,**
Waterbury, VT (US)

(72) Inventors: **David Manly**, Duxbury, MA (US);
Karen Gallagher, Andover, MA (US);
Scott M. Vogel, Salem, MA (US); **Jaime Zuri**,
Essex Junction, MA (US); **James E. Shepard**,
Marblehead, MA (US); **Gregory Hurley**,
Dracut, MA (US); **Da Deng**, Somerville, MA (US);
Steffen F. Koury, Everett, MA (US); **Paul K. Metaxatos**,
Swampscott, MA (US); **Ian Tinkler**, Wakefield, MA (US)

(56) **References Cited**

U.S. PATENT DOCUMENTS

1,143,484 A 6/1915 Beach
3,311,399 A 3/1967 Holton

(Continued)

Primary Examiner — Marianne Pandozzi

Assistant Examiner — Jae Liang

(74) *Attorney, Agent, or Firm* — Wolf, Greenfield & Sacks, P.C.

(73) Assignee: **Keurig Green Mountain, Inc.,**
Waterbury, VT (US)

(57) **CLAIM**

The ornamental design for a beverage carafe, as shown and described.

(**) Term: **14 Years**

DESCRIPTION

(21) Appl. No.: **29/520,455**

(22) Filed: **Mar. 13, 2015**

Related U.S. Application Data

(62) Division of application No. 29/479,693, filed on Jan. 17, 2014, now Pat. No. Des. 729,003.

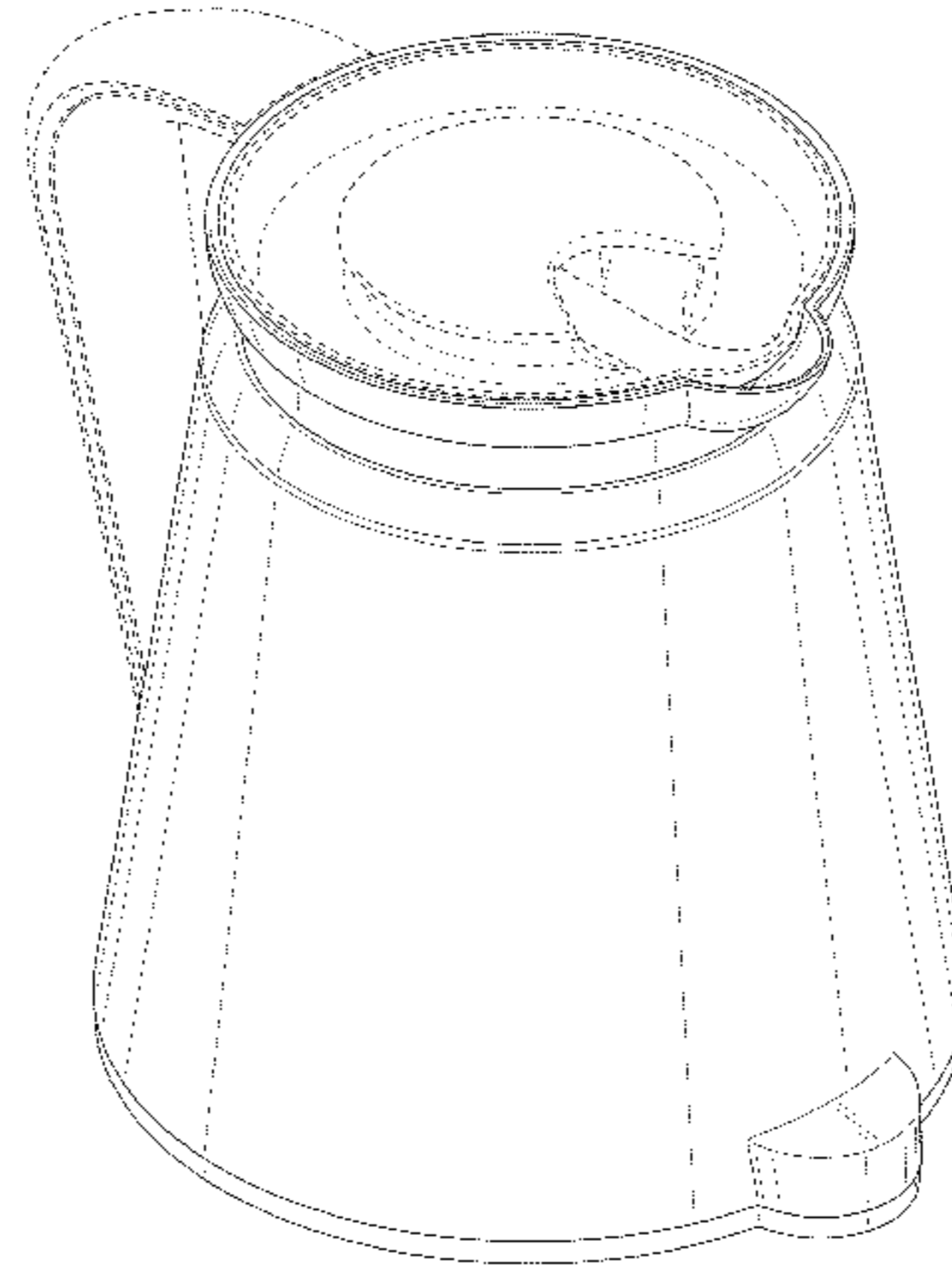
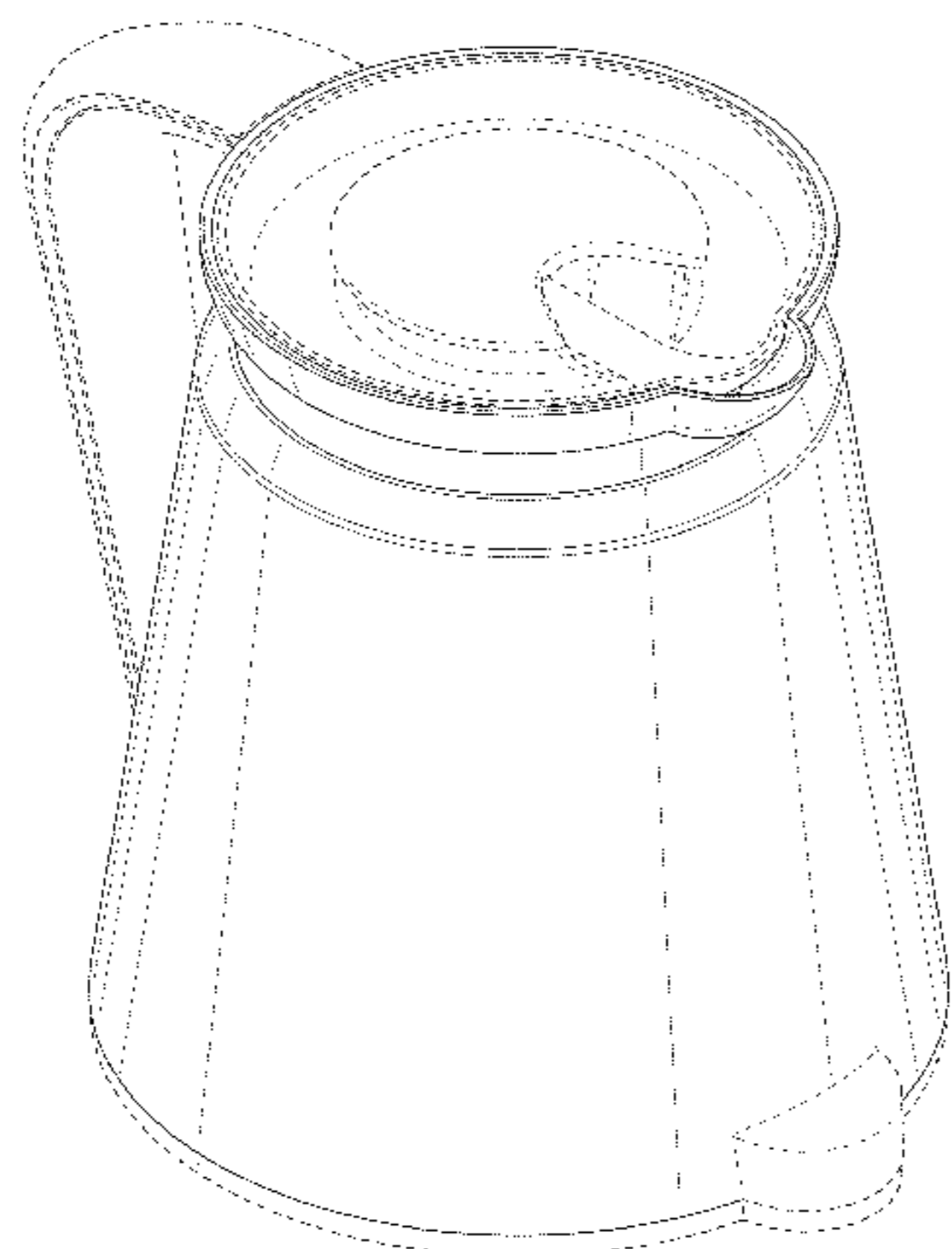
(51) **LOC (10) Cl.** **07-01**

(52) **U.S. Cl.**
USPC **D7/319; D7/317; D7/318**

(58) **Field of Classification Search**
USPC D7/310, 312, 314, 315, 316, 317, 318,
D7/319, 320, 591, 592, 598, 600, 622, 667,
D7/668, 392, 392.1, 396.6, 503, 507, 509,
D7/510, 511, 514, 515, 522, 513, 523, 533,
D7/559, 535, 532, 403, 596, 536, 537,
D7/600.2, 700, 401, 682, 394, 524, 525,
D7/589, 322, 402, 401.1, 404, 399, 321,
D7/311; D9/500, 678, 669, 715, 719, 536,
D9/528, 531, 534, 435, 440, 443; 215/380,
215/382, 398, 396; 220/495.03, 23, 494;
206/217; 229/400, 402, 404; 211/2, 6

FIG. 1 is a top, front, left perspective view of a beverage carafe showing a first embodiment of our new design;
FIG. 2 is a front elevational view thereof;
FIG. 3 is a rear elevational view thereof;
FIG. 4 is a left side elevational view thereof;
FIG. 5 is a right side elevational view thereof;
FIG. 6 is a top plan view thereof;
FIG. 7 is a bottom plan view thereof;
FIG. 8 is a top, rear, right perspective view thereof;
FIG. 9 is a top, front, left perspective view showing a second embodiment thereof;
FIG. 10 is a front elevational view of FIG. 9;
FIG. 11 is a rear elevational view of FIG. 9;
FIG. 12 is a left side elevational view of FIG. 9;
FIG. 13 is a right side elevational view of FIG. 9;
FIG. 14 is a top plan view of FIG. 9;
FIG. 15 is a bottom plan view of FIG. 9; and,
FIG. 16 is a top, rear, right perspective view of FIG. 9.
The broken line showing in the figure drawings are included for the purpose of illustration and form no part of the claimed design.

1 Claim, 16 Drawing Sheets



(56)

References Cited

U.S. PATENT DOCUMENTS

D241,401 S *	9/1976	Painter	D7/318	D482,934 S	12/2003	Liu	
D245,058 S	7/1977	Hauenstein		D491,417 S	6/2004	Bodum	
D257,938 S	1/1981	Danley et al.		D511,432 S	11/2005	Babkes	
4,308,445 A	12/1981	Offutt		D512,597 S	12/2005	Bjørn	
4,330,696 A	5/1982	Pomeroy et al.		D515,349 S	2/2006	Gillisie	
D347,350 S *	5/1994	Ullmann	D7/309	D541,099 S	4/2007	Lebowitz	
D354,879 S	1/1995	Ullmann		D598,715 S	8/2009	Foss	
D369,714 S	5/1996	Huang		D603,647 S *	11/2009	Bodum	D7/318
D375,016 S *	10/1996	Ullmann	D7/319	D605,455 S *	12/2009	Bodum	D7/318
D405,640 S *	2/1999	Saltet	D7/319	D638,651 S *	5/2011	Butler	D7/318
D411,404 S	6/1999	Littmann		D643,242 S	8/2011	Butler	
D413,222 S	8/1999	Applegate		D653,896 S *	2/2012	Wilt	D7/315
D419,028 S	1/2000	Mork et al.		D655,563 S	3/2012	Kern et al.	
D421,871 S	3/2000	Klosinski et al.		D668,095 S	10/2012	Green et al.	
D422,831 S	4/2000	Lucas et al.		D669,307 S	10/2012	Makhanlall et al.	
6,050,175 A	4/2000	Mirand et al.		D683,584 S	6/2013	Gross et al.	
D438,429 S *	3/2001	Otake	D7/510	D685,219 S	7/2013	Ciampa	
D438,749 S	3/2001	Joergensen		D686,034 S	7/2013	Bodum	
D442,014 S	5/2001	Haring et al.		8,671,826 B2	3/2014	Smit	
D461,087 S *	8/2002	Hatsumoto	D7/318	D714,586 S	10/2014	Grasselli et al.	
6,561,390 B2	5/2003	Boyte et al.		D719,777 S *	12/2014	Metaxatos et al.	D7/319
D479,087 S	9/2003	Yao		D726,485 S *	4/2015	Mullen	D7/317
D479,091 S	9/2003	Glucksman et al.		D727,675 S *	4/2015	Garvey	D7/321
D480,254 S	10/2003	Hirose		D729,003 S *	5/2015	Manly et al.	D7/399
				2007/0029213 A1 *	2/2007	Hall	206/217
				2009/0090246 A1	4/2009	Spencer	
				2009/0308878 A1	12/2009	Rosskelly	

* cited by examiner

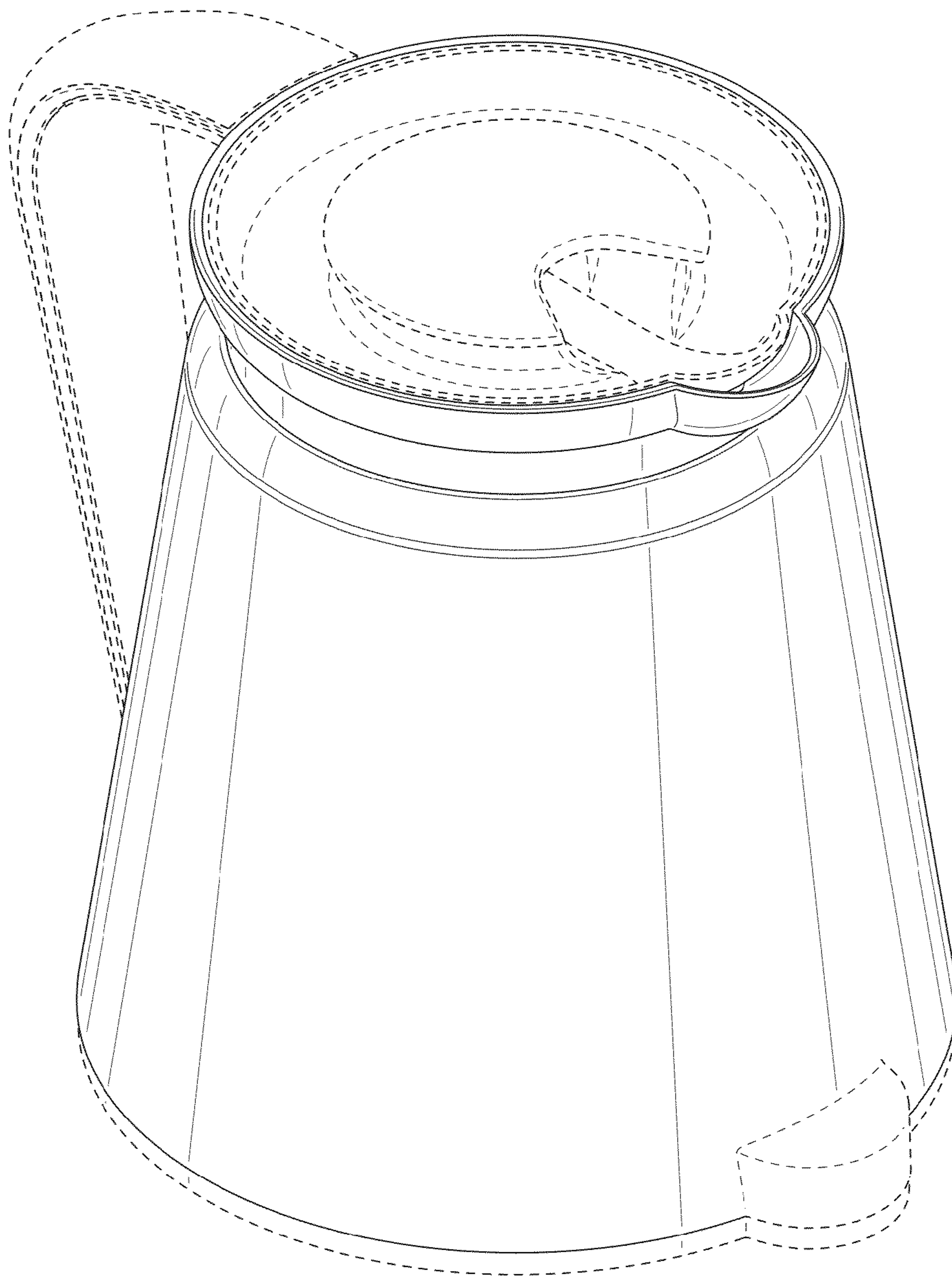


FIG. 1

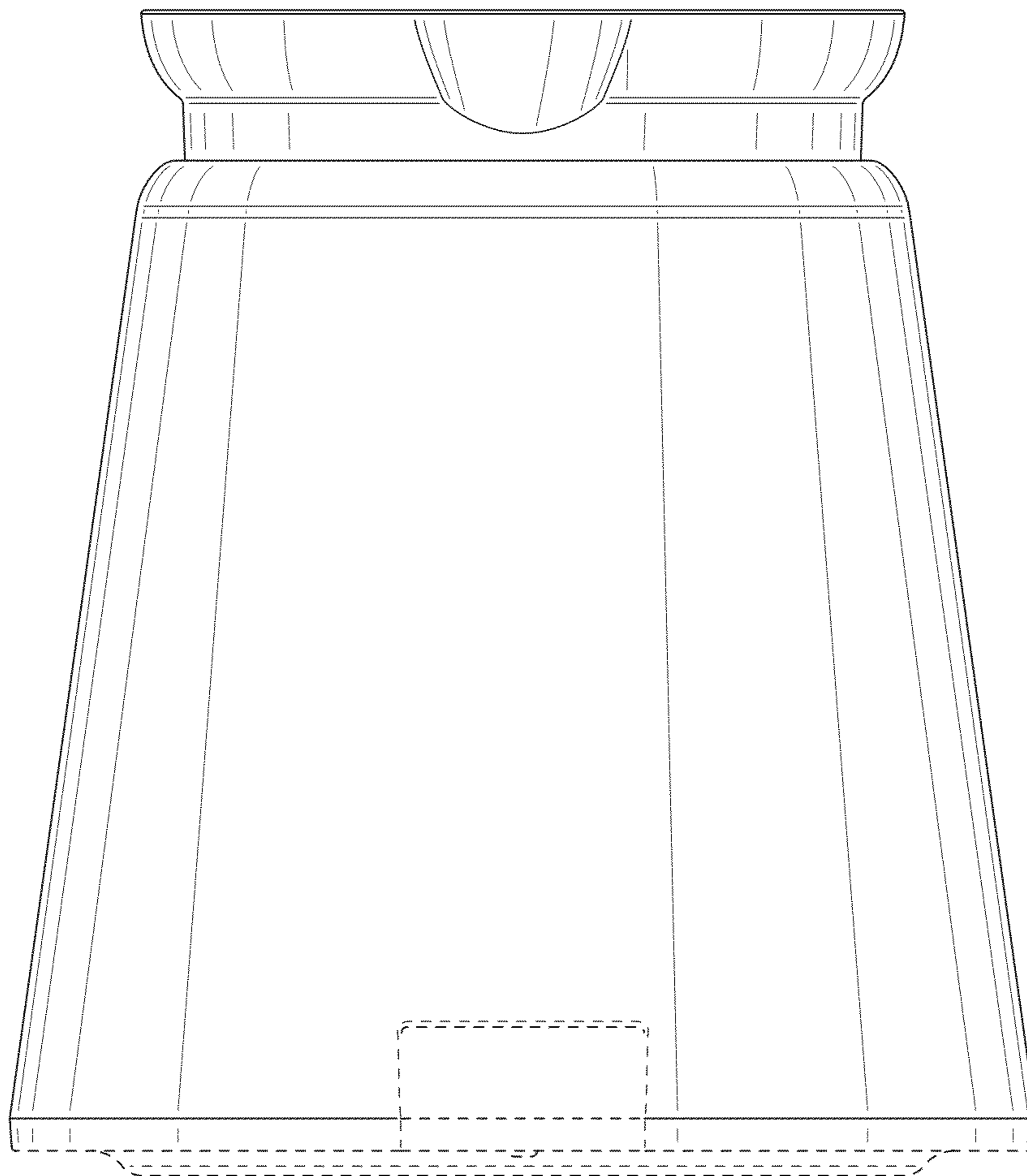


FIG. 2

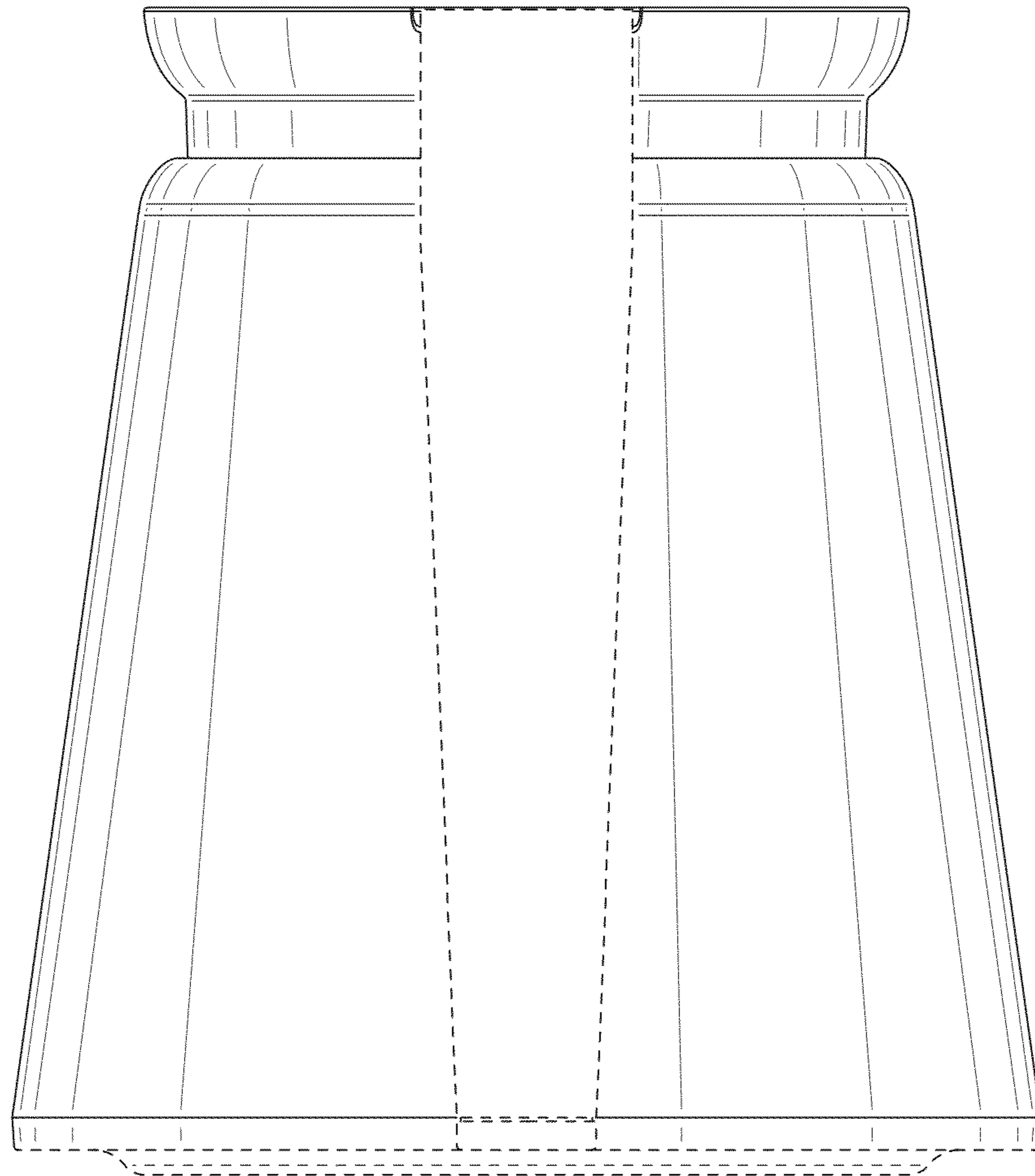


FIG. 3

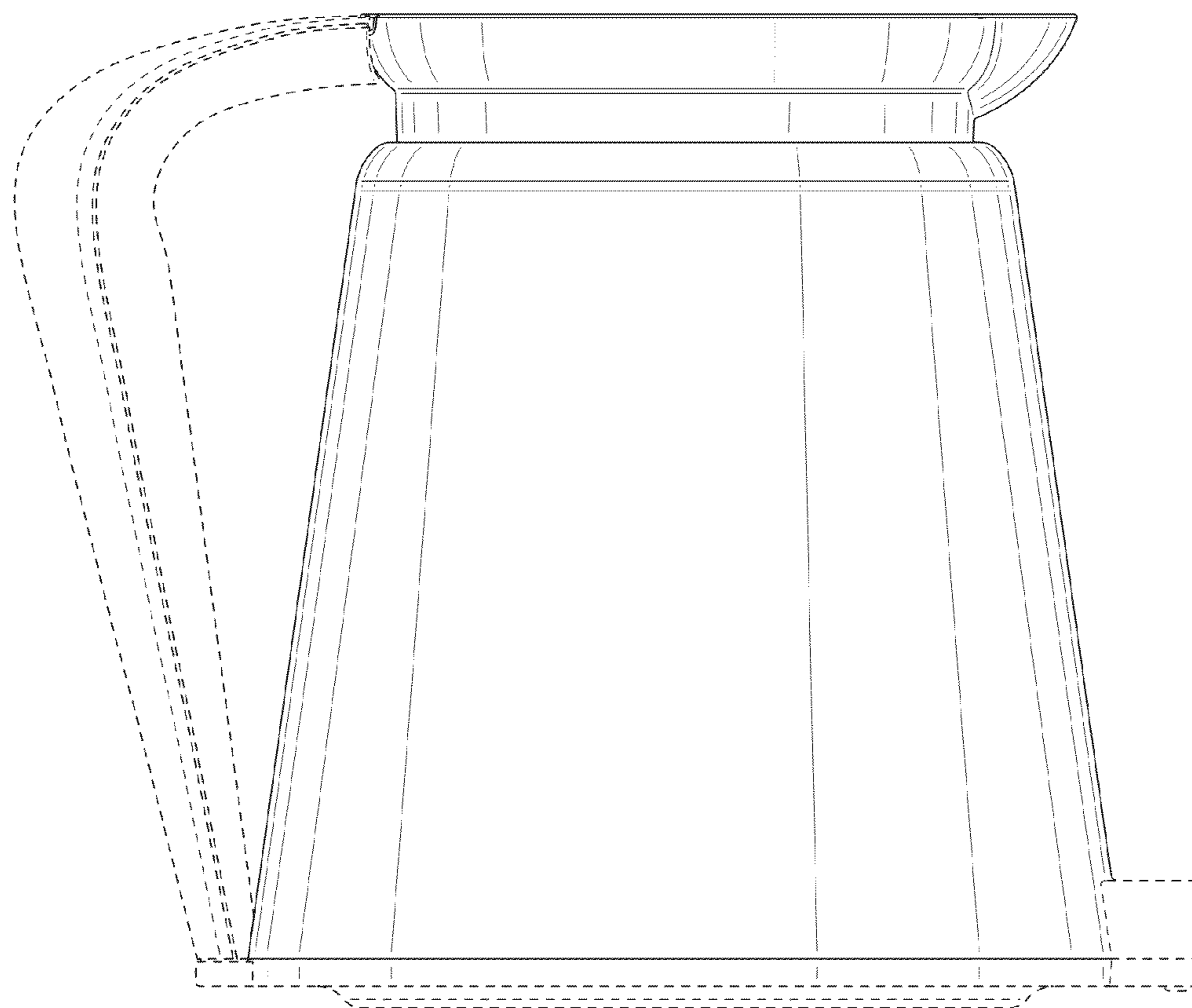


FIG. 4

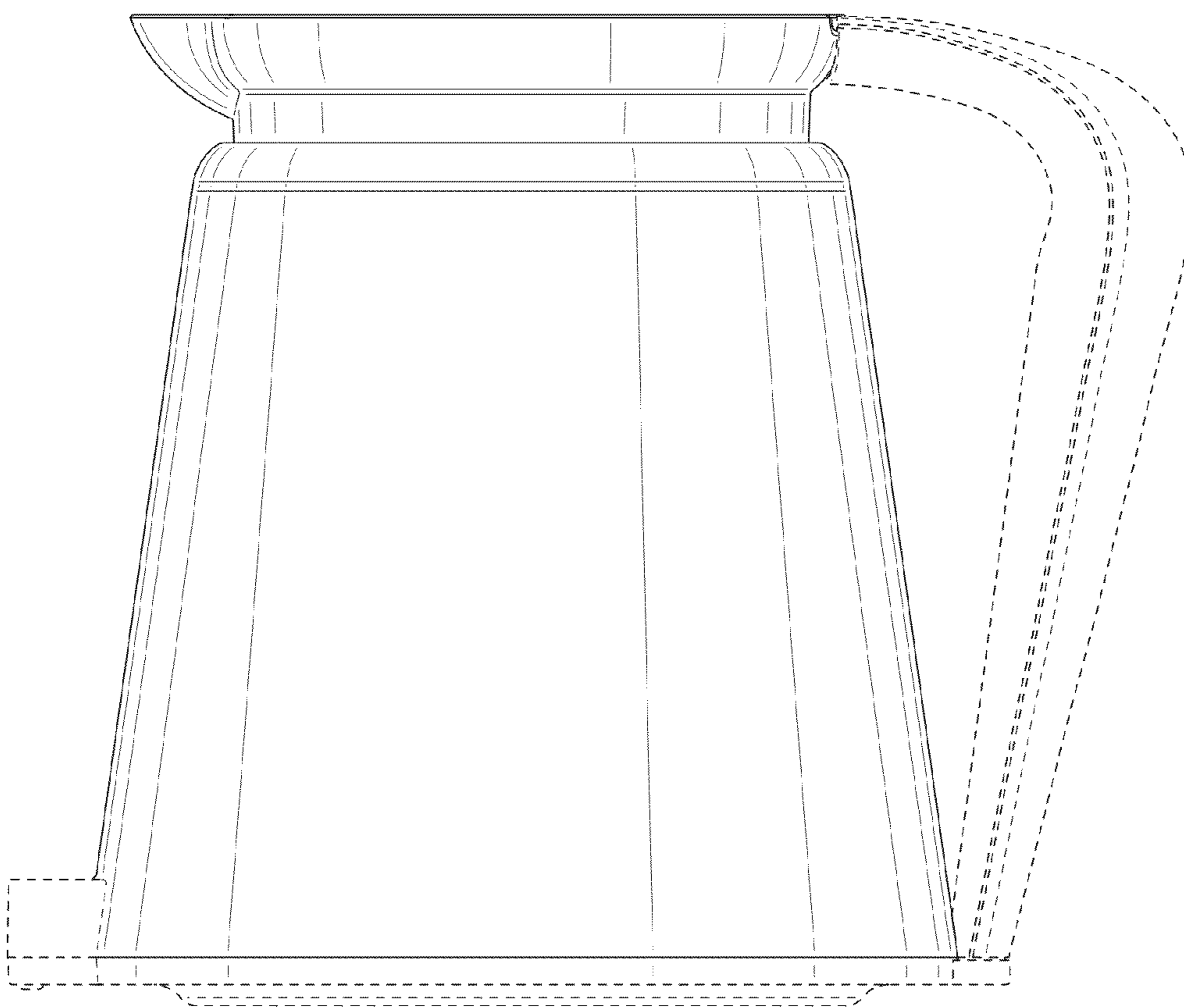


FIG. 5

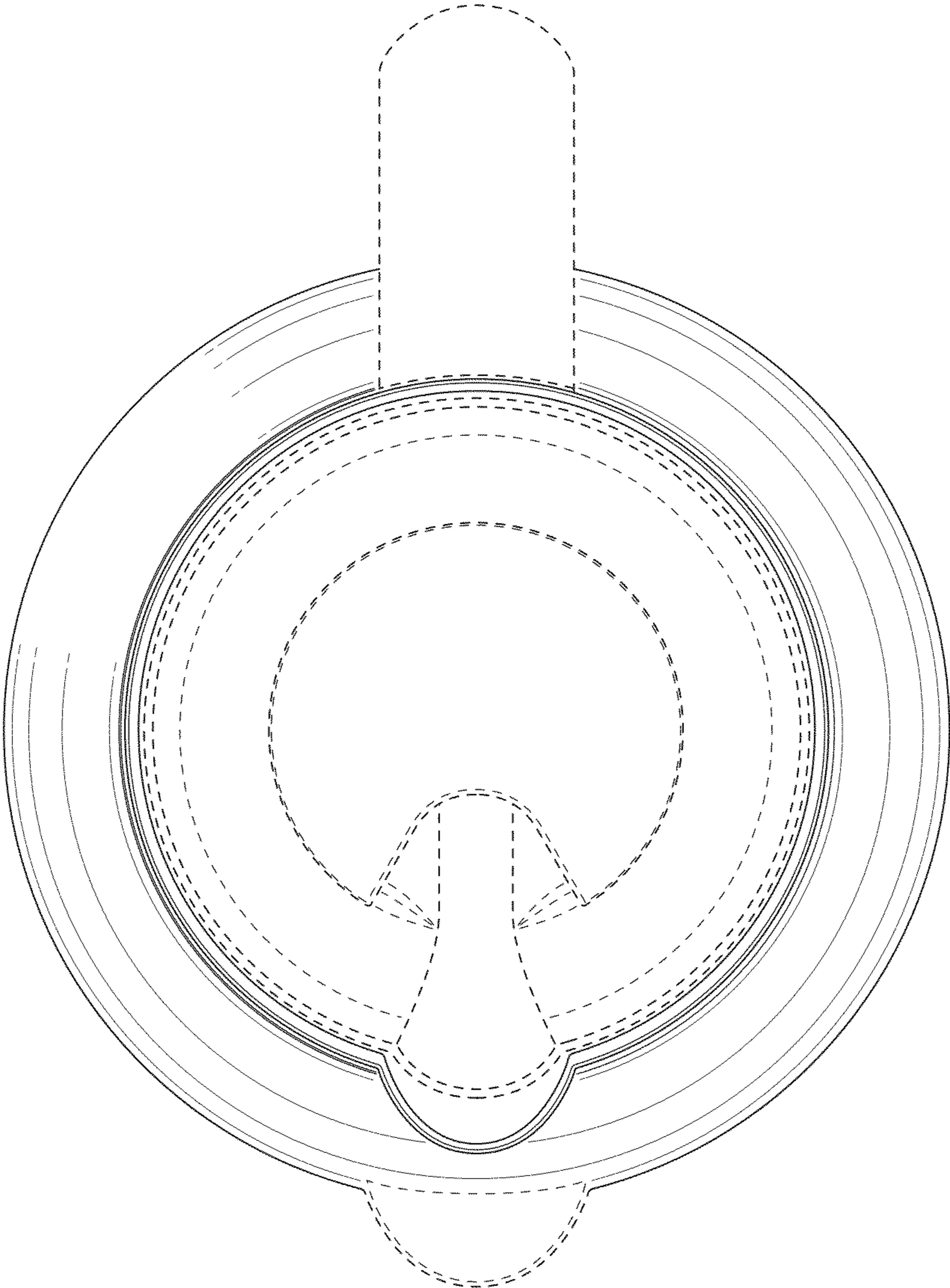


FIG. 6

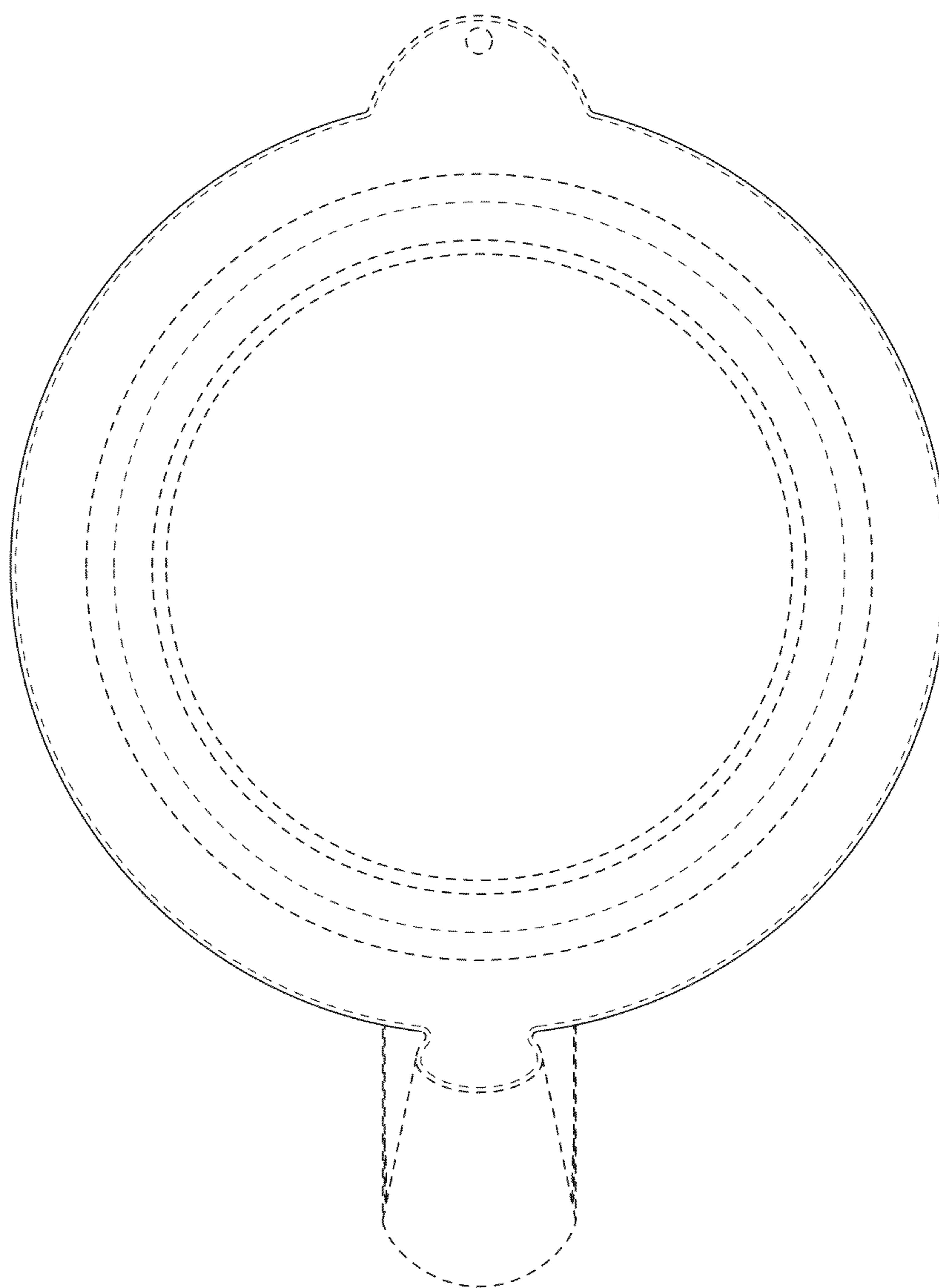


FIG. 7

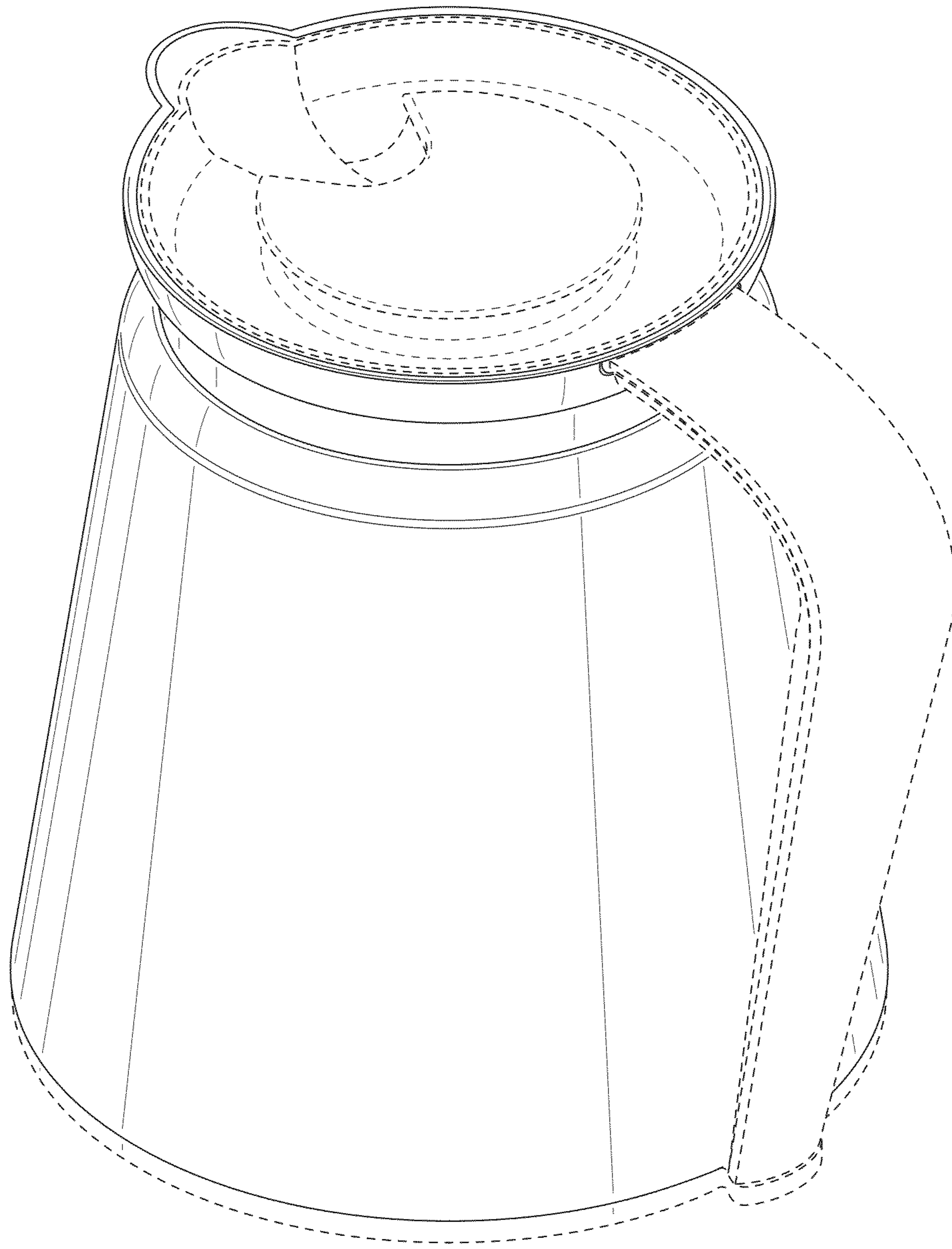


FIG. 8

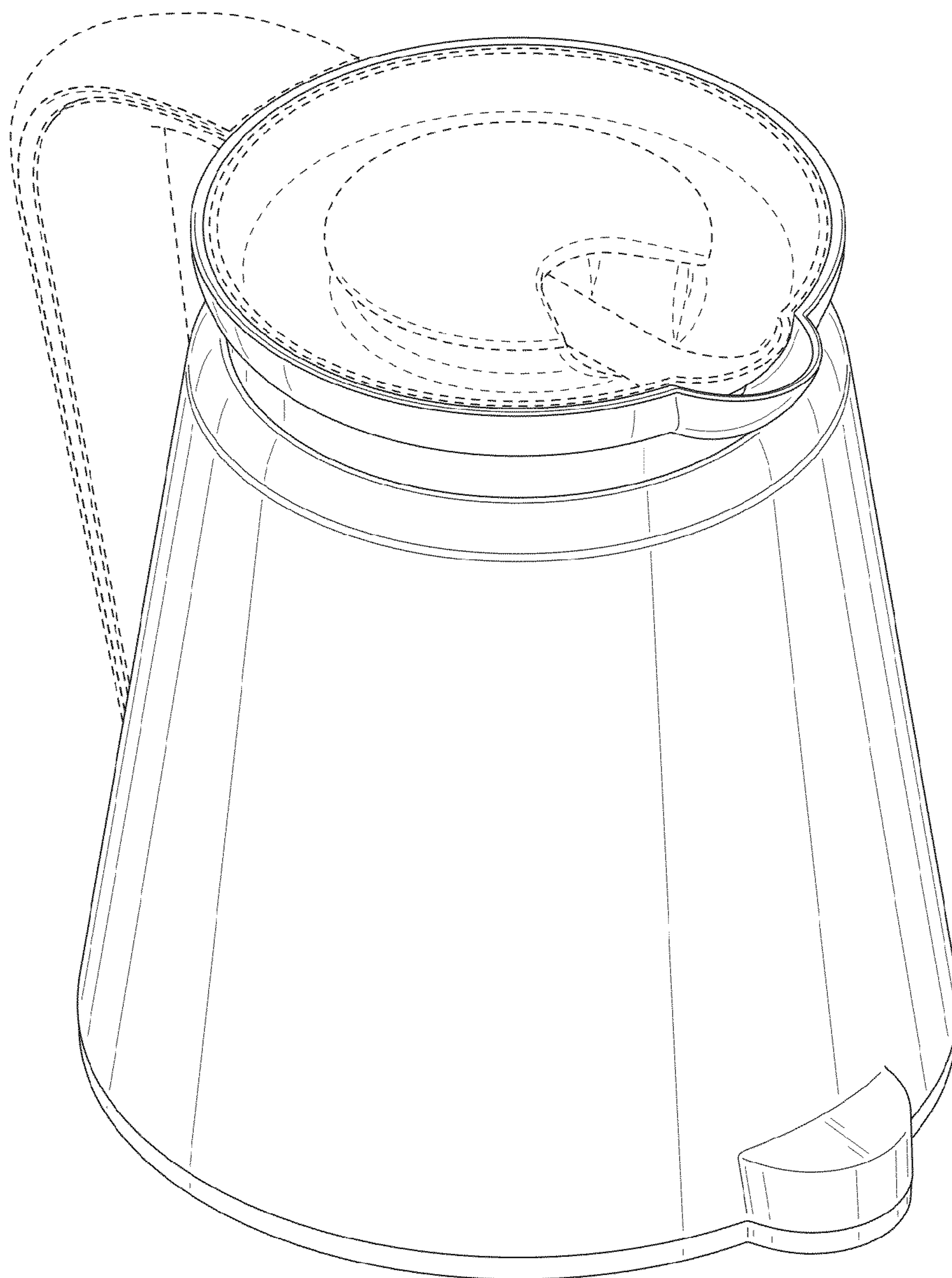


FIG. 9

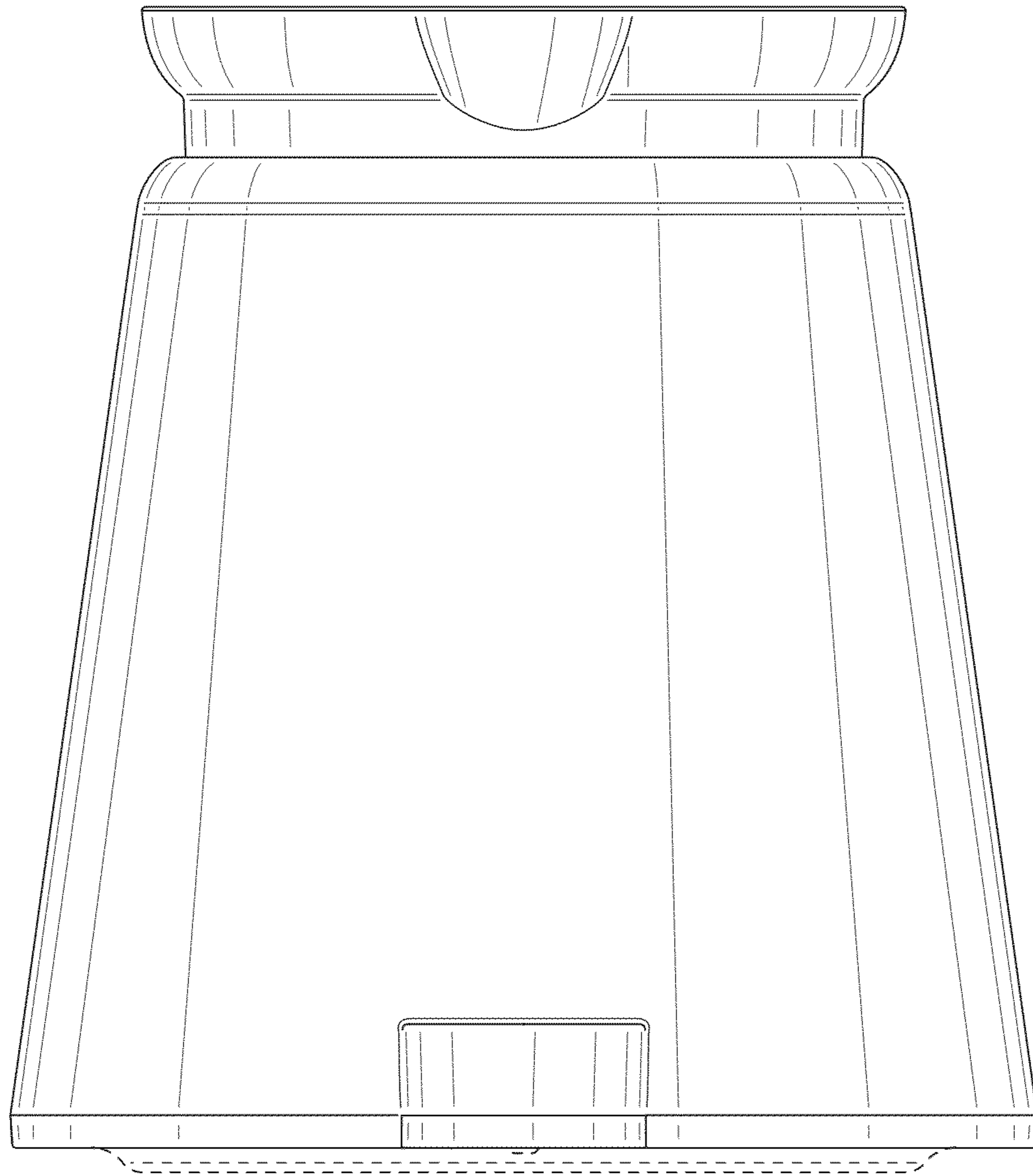


FIG. 10

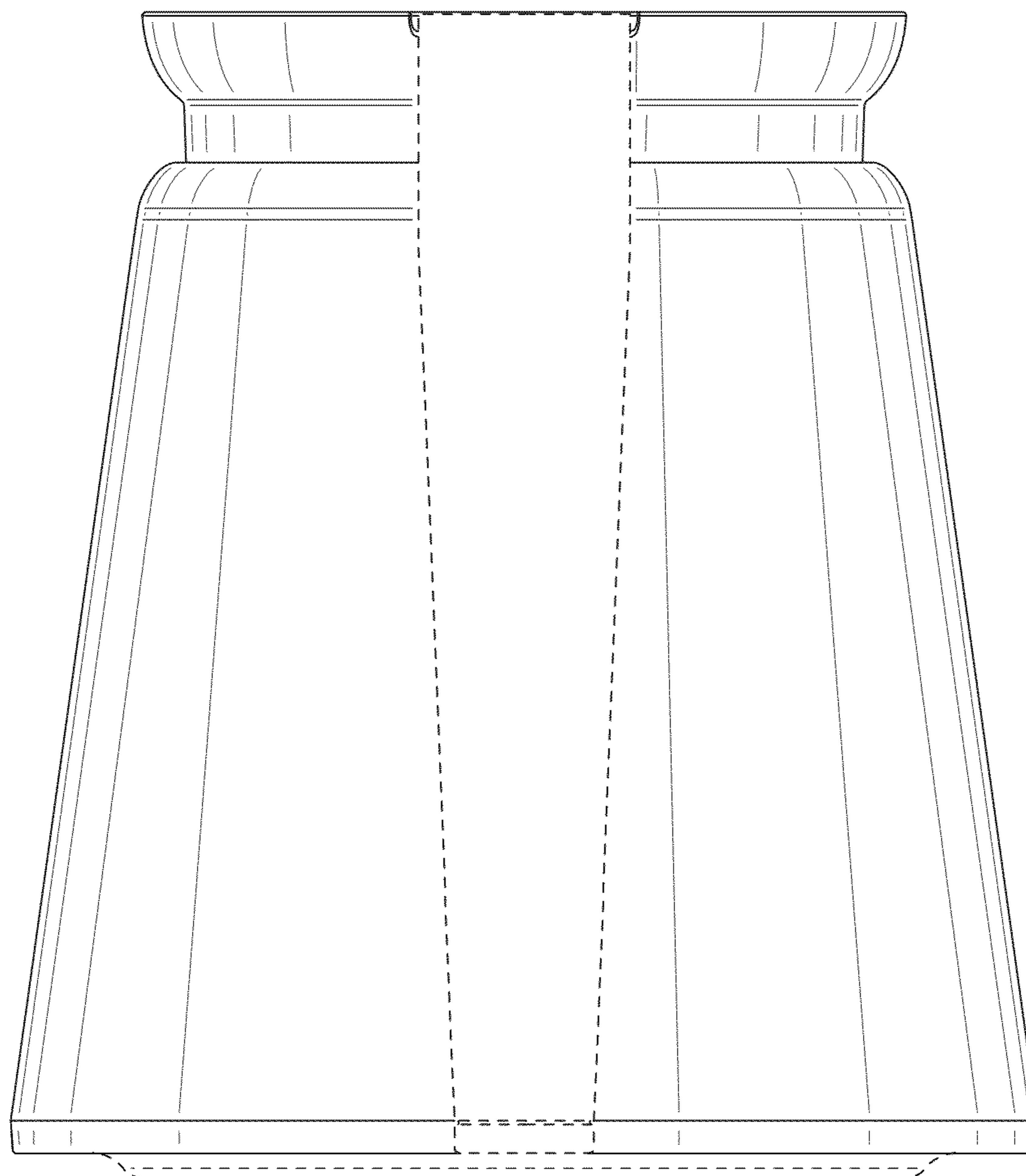


FIG. 11

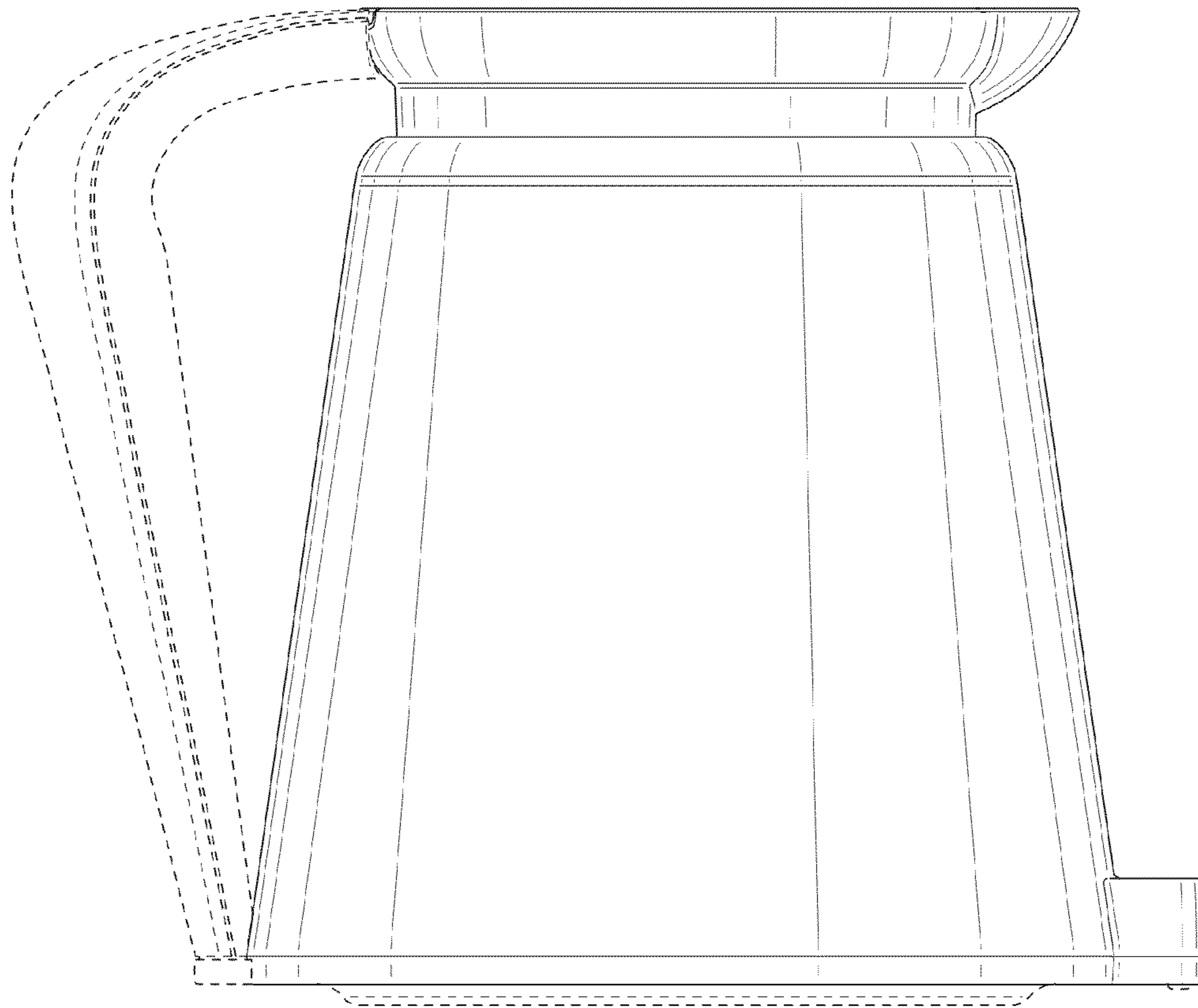


FIG. 12

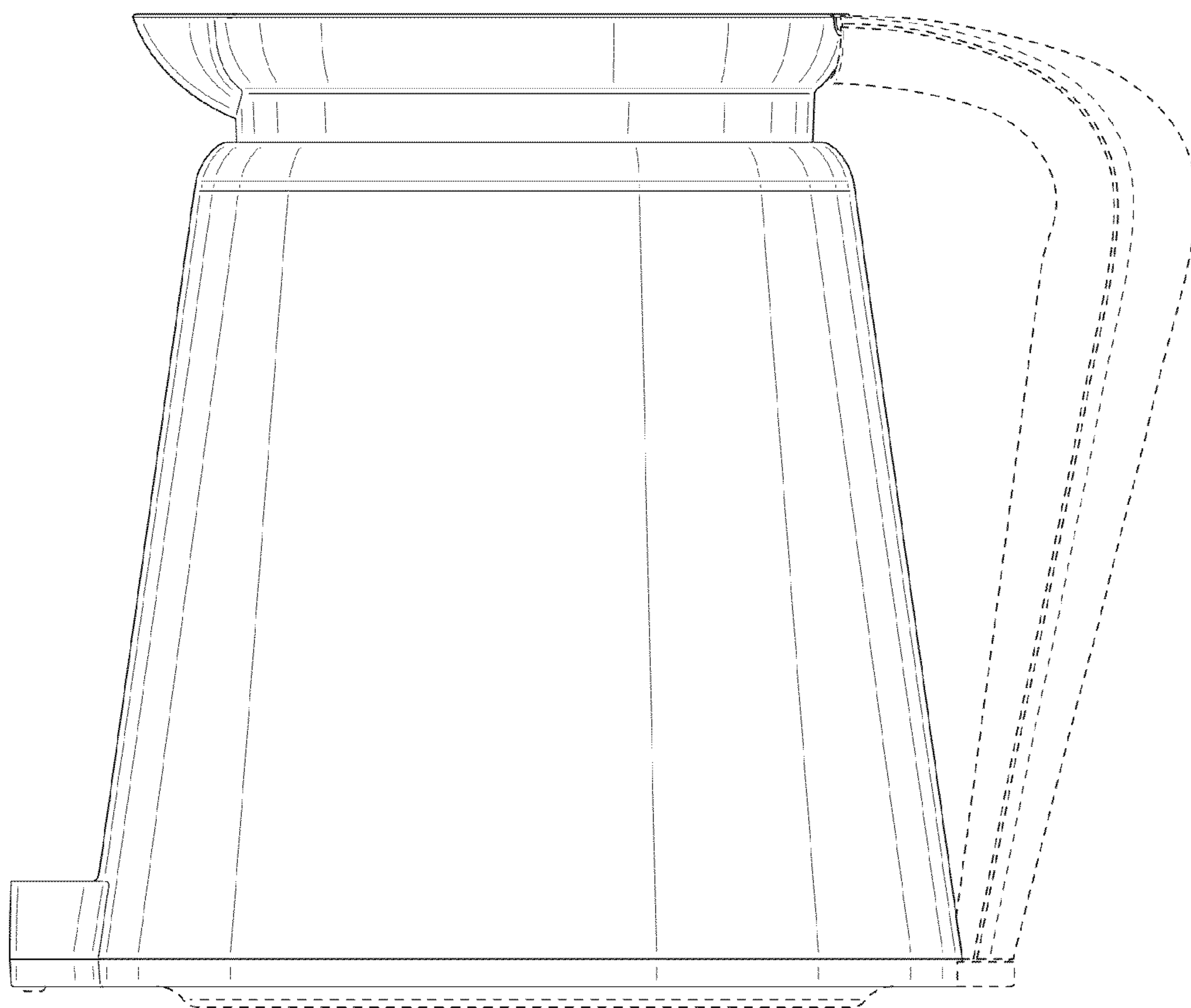


FIG. 13

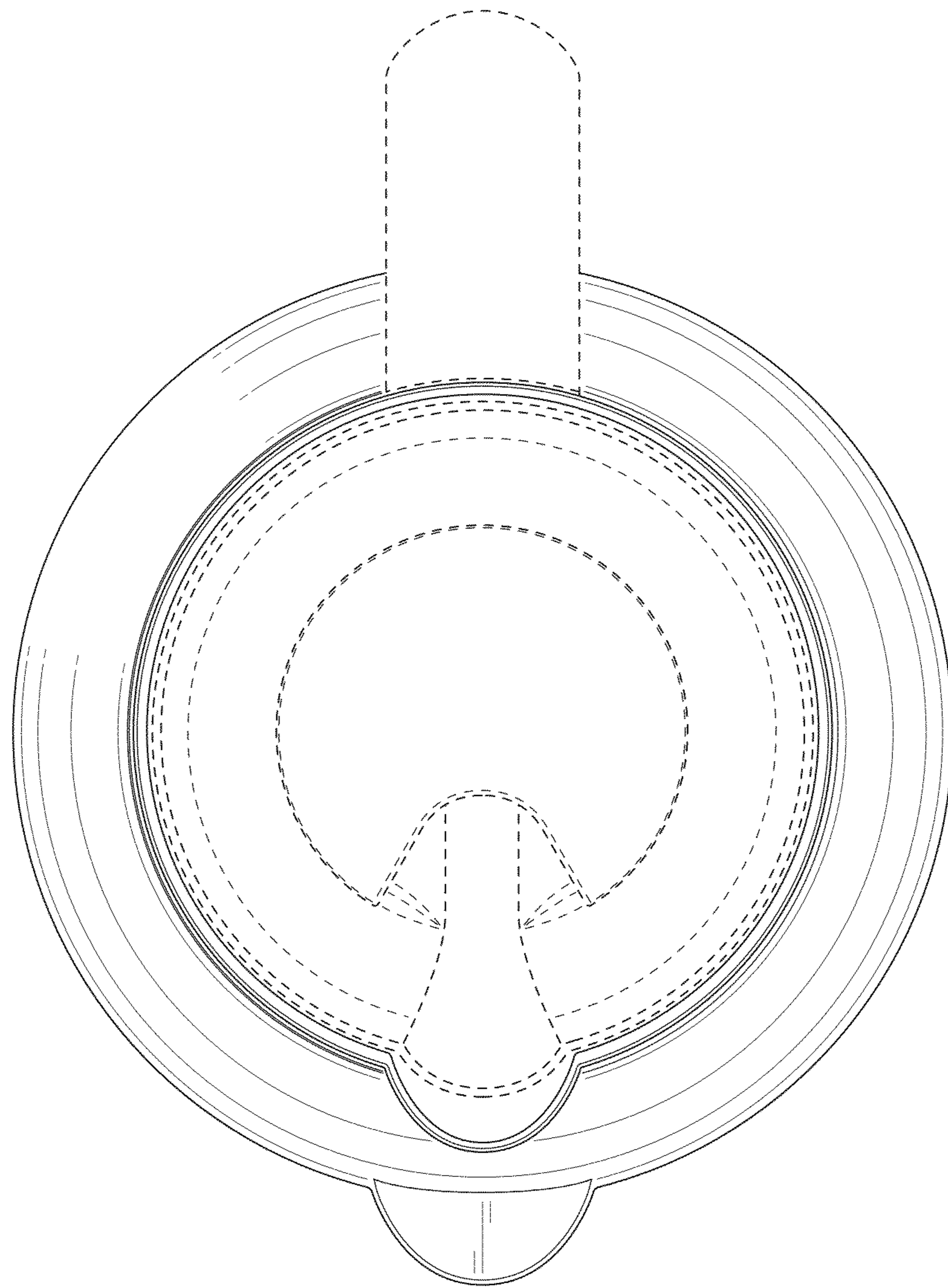


FIG. 14

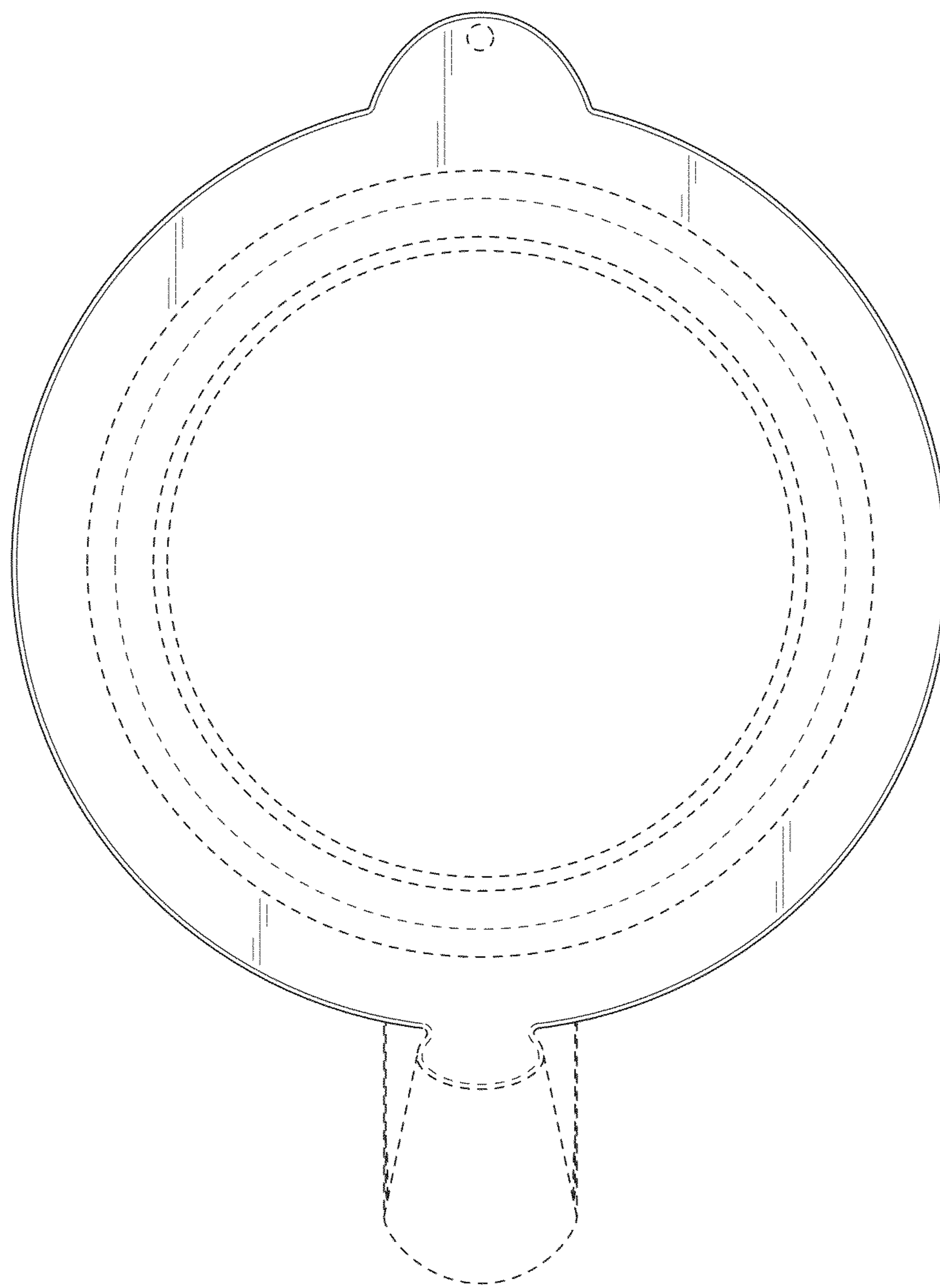


FIG. 15

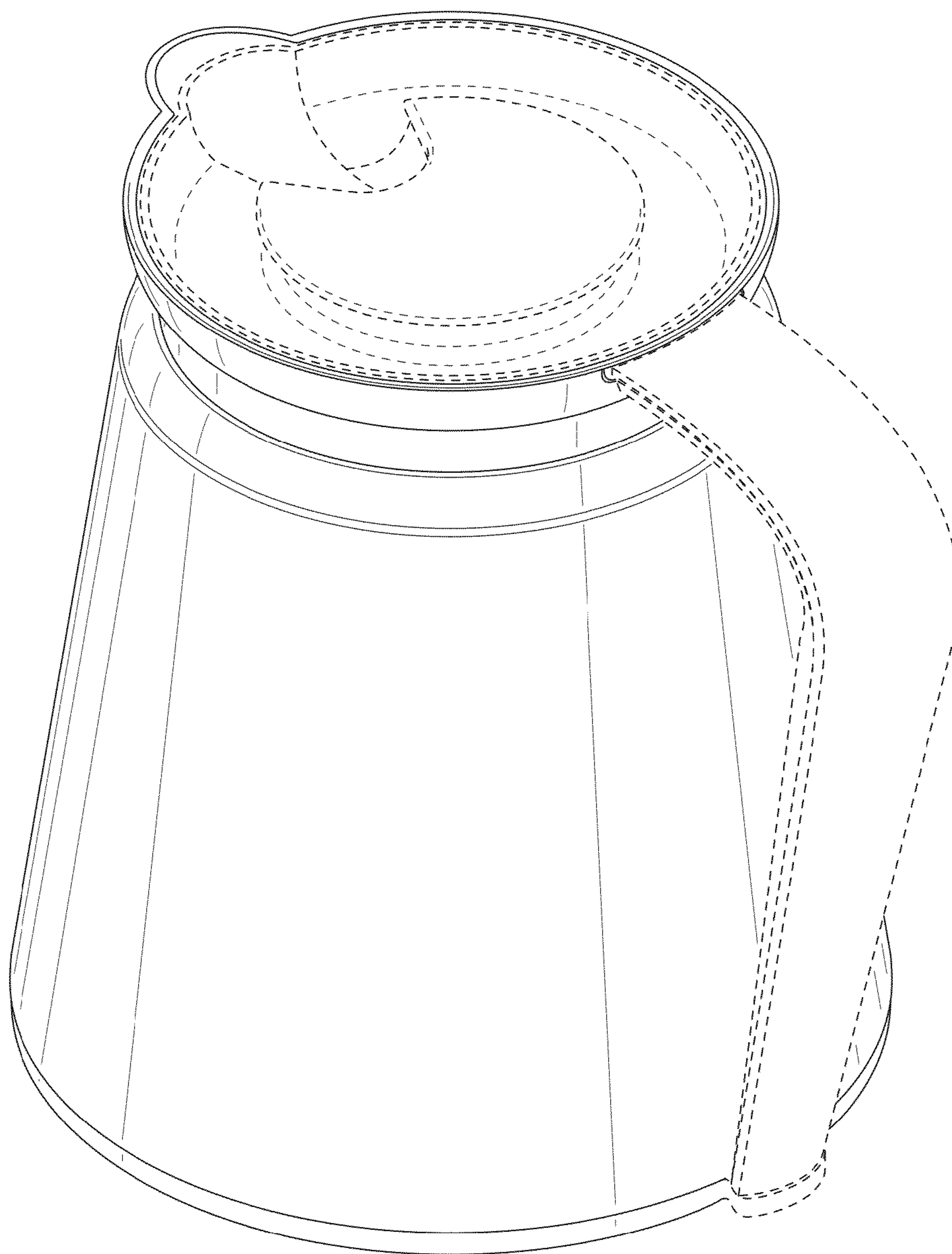


FIG. 16