



US00D742159S

(12) **United States Design Patent**
Doria et al.

(10) **Patent No.:** **US D742,159 S**
(45) **Date of Patent:** **** Nov. 3, 2015**

(54) **ESPRESSO COFFEE MACHINE**

FOREIGN PATENT DOCUMENTS

(71) Applicant: **ESPRESSOCAP S.P.A.**, Bareggio (IT)

CH 434609 4/1967
CH 527592 9/1972

(72) Inventors: **Alessandro Doria**, Bareggio (IT);
Bruno Bardazzi, Bareggio (IT)

(Continued)

(73) Assignee: **ESPRESSOCAP S.P.A.**, Bareggio (MI)
(IT)

Notice of Allowance mailed on Sep. 21, 2011 for U.S. Appl. No. 29/381,266, filed Dec. 16, 2010 in the name of Bruno Bardazzi et al.

(Continued)

(**) Term: **14 Years**

Primary Examiner — Marianne Pandozzi

(21) Appl. No.: **29/498,707**

(74) *Attorney, Agent, or Firm* — Steinfl & Bruno LLP

(22) Filed: **Aug. 6, 2014**

(57) **CLAIM**

The ornamental design for an espresso coffee machine, as shown and described.

(30) **Foreign Application Priority Data**

DESCRIPTION

Feb. 11, 2014 (EM) 002402412-0005

(51) **LOC (10) Cl.** **07-01**

(52) **U.S. Cl.**
USPC **D7/309**; D7/311

(58) **Field of Classification Search**
USPC D7/300, 313, 306–311, 305; 99/276,
99/280, 292, 299; 435/287.1; D23/207
CPC A47J 31/40; A47J 31/05; A47J 31/46;
C12G 3/02; C12G 3/08
See application file for complete search history.

The present application is related to U.S. Design patent application Ser. No. 29/498,706 filed on even date herewith, which claims priority to European Community Design Application No. 002402412-0004 filed on Feb. 11, 2014, which are both incorporated herein by reference in their entirety. The present application may also be related to U.S. Design application Ser. No. 29/381,266 filed on Dec. 16, 2010, issued as U.S. Design Pat. No. D652,669 on Jan. 24, 2012, which claims priority to European Community Design Application No. 001727439-0002 filed on Jul. 2, 2010, which are both incorporated herein by reference in their entirety.

FIG. 1 is a right perspective view of an espresso coffee machine.

FIG. 2 is a left perspective view of the espresso coffee machine.

FIG. 3 is a right side view of the espresso coffee machine.

FIG. 4 is a left side view of the espresso coffee machine.

FIG. 5 is a front side view of the espresso coffee machine.

FIG. 6 is a rear side view of the espresso coffee machine; and,

FIG. 7 is a top view of the espresso coffee machine.

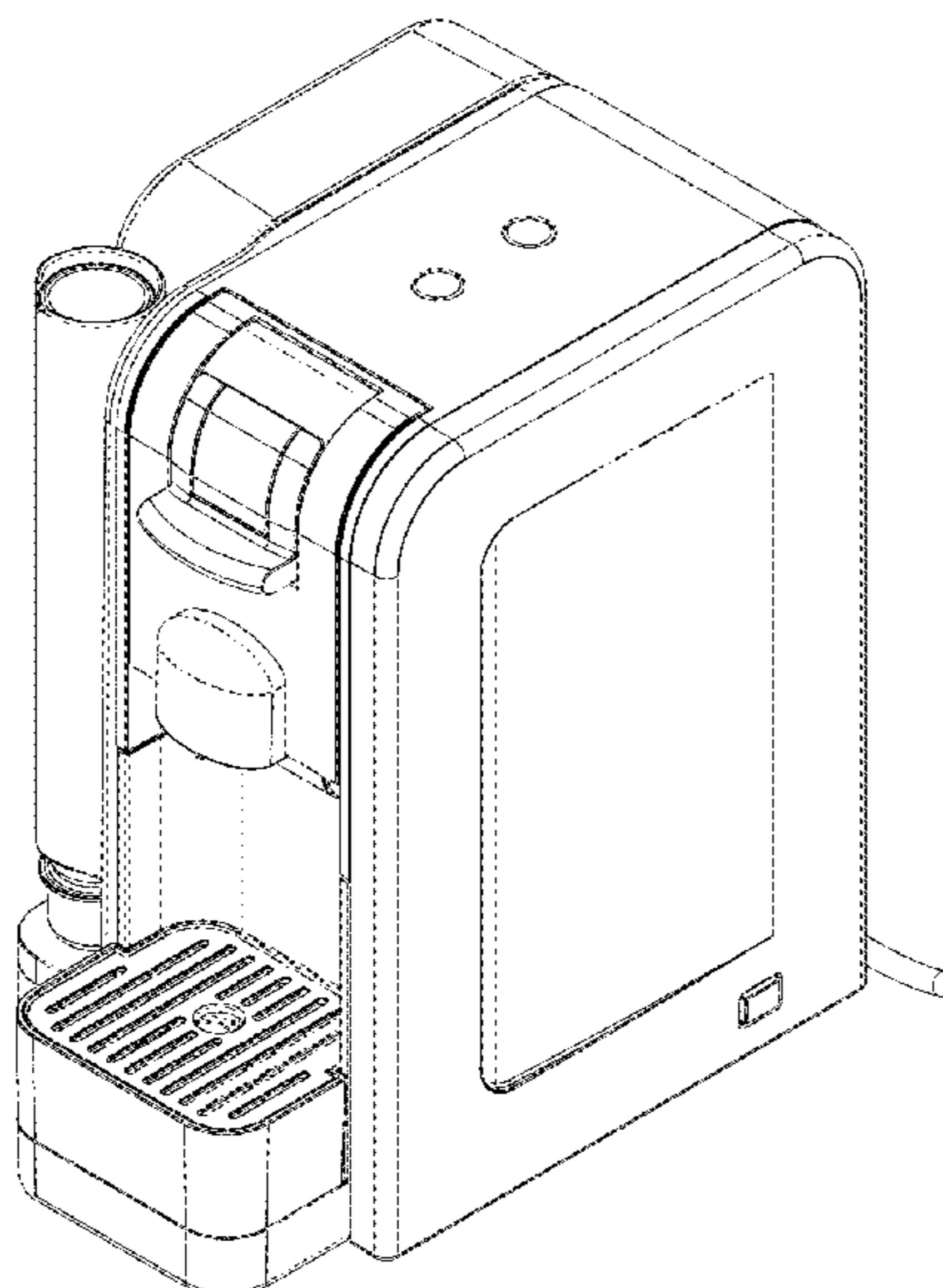
(56) **References Cited**

U.S. PATENT DOCUMENTS

3,446,624 A 5/1969 David
D523,279 S * 6/2006 Zemp D7/309
D560,950 S 2/2008 Schwamkrug
D565,886 S 4/2008 Bardazzi et al.

(Continued)

1 Claim, 7 Drawing Sheets



(56)

References Cited

U.S. PATENT DOCUMENTS

D587,510 S 3/2009 Lam
 D596,442 S 7/2009 Cahen
 D598,232 S * 8/2009 Adachi D7/308
 D604,985 S 12/2009 Taylor et al.
 7,669,518 B2 3/2010 Bardazzi
 7,827,905 B2 11/2010 Bardazzi
 D644,058 S 8/2011 Cahen
 D652,669 S 1/2012 Bardazzi et al.
 D709,722 S * 7/2014 Luippold et al. D7/306
 D717,091 S * 11/2014 Suzuki et al. D7/309
 D718,413 S * 11/2014 Choi D23/207
 D723,859 S * 3/2015 Andreesen D7/309
 D732,872 S * 6/2015 Kalik et al. D7/307
 D733,481 S * 7/2015 Rousselin D7/306

FOREIGN PATENT DOCUMENTS

DE 3504441 8/1986
 EP 0524464 1/1993

EP 0631948 1/1995
 EP 1635680 3/2006
 EP 1937117 7/2008
 WO 00/51478 9/2000
 WO 2010/091872 8/2010

OTHER PUBLICATIONS

Restriction Requirement mailed on Feb. 26, 2013 for U.S. Appl. No. 13/119,940, filed Mar. 18, 2011 in the name of Bruno Bardazzi et al. International Preliminary Report on Patentability issued on Aug. 16, 2011 for International Application No. PCT/EP2010/000870 filed on Feb. 12, 2010 in the name of Espressocap S.P.A. Written Opinion issued on Sep. 2, 2010 for International Application No. PCT/EP2010/000870 filed on Feb. 12, 2010 in the name of Espressocap S.P.A. International Search Report mailed on Sep. 2, 2010 for International Application No. PCT/EP2010/000870 filed on Feb. 12, 2010 in the name of Espressocap S.P.A.

* cited by examiner

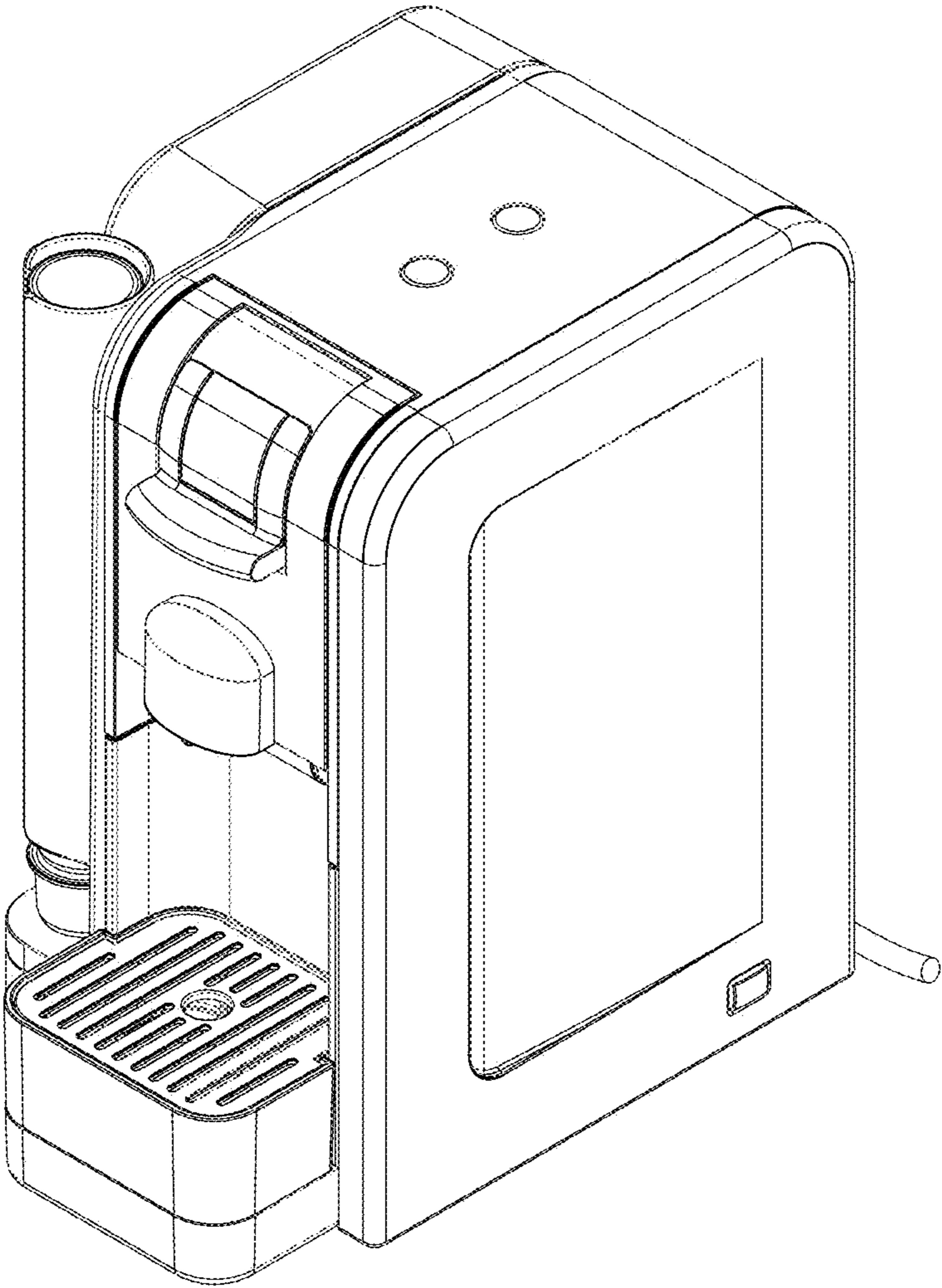


FIG. 1

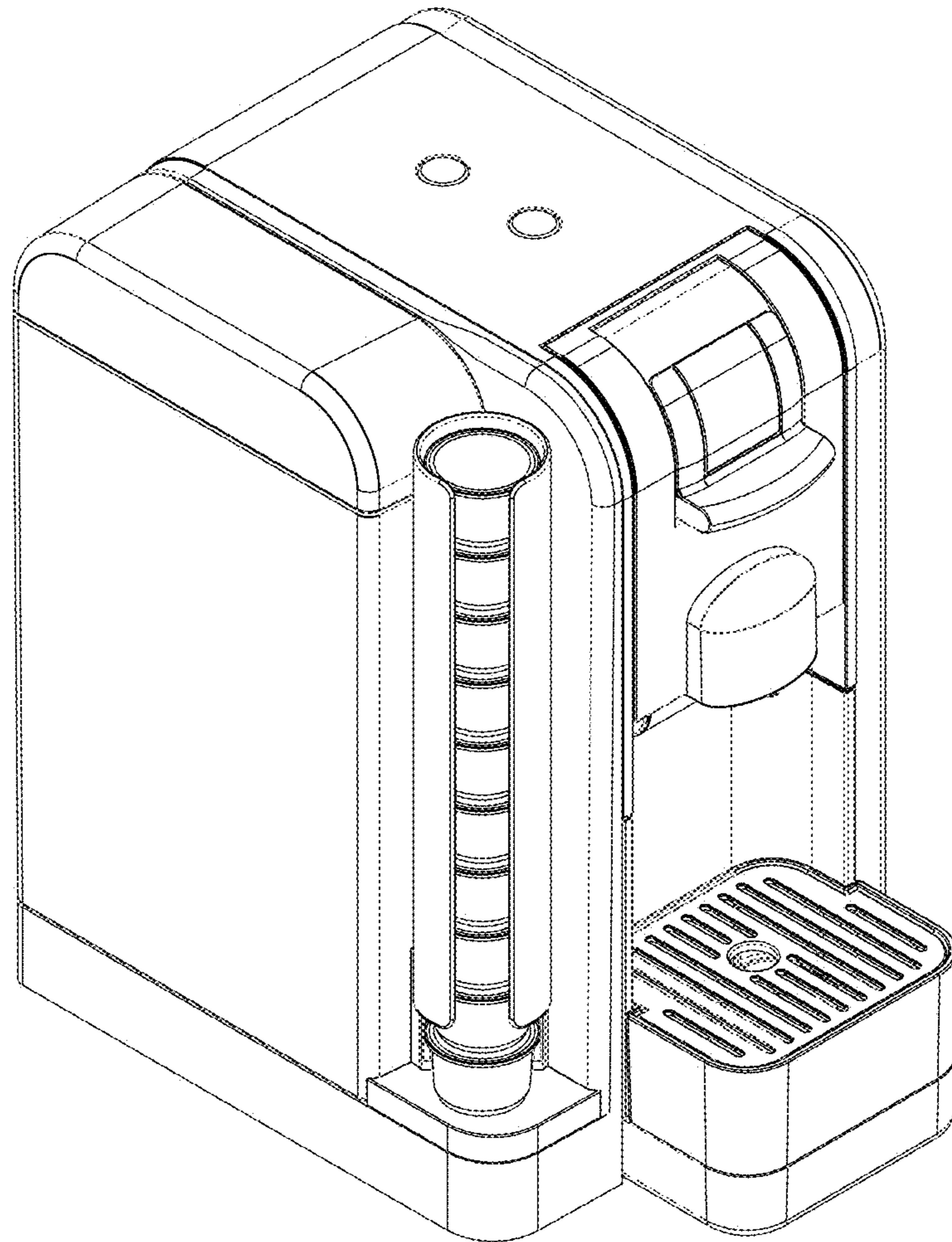


FIG. 2

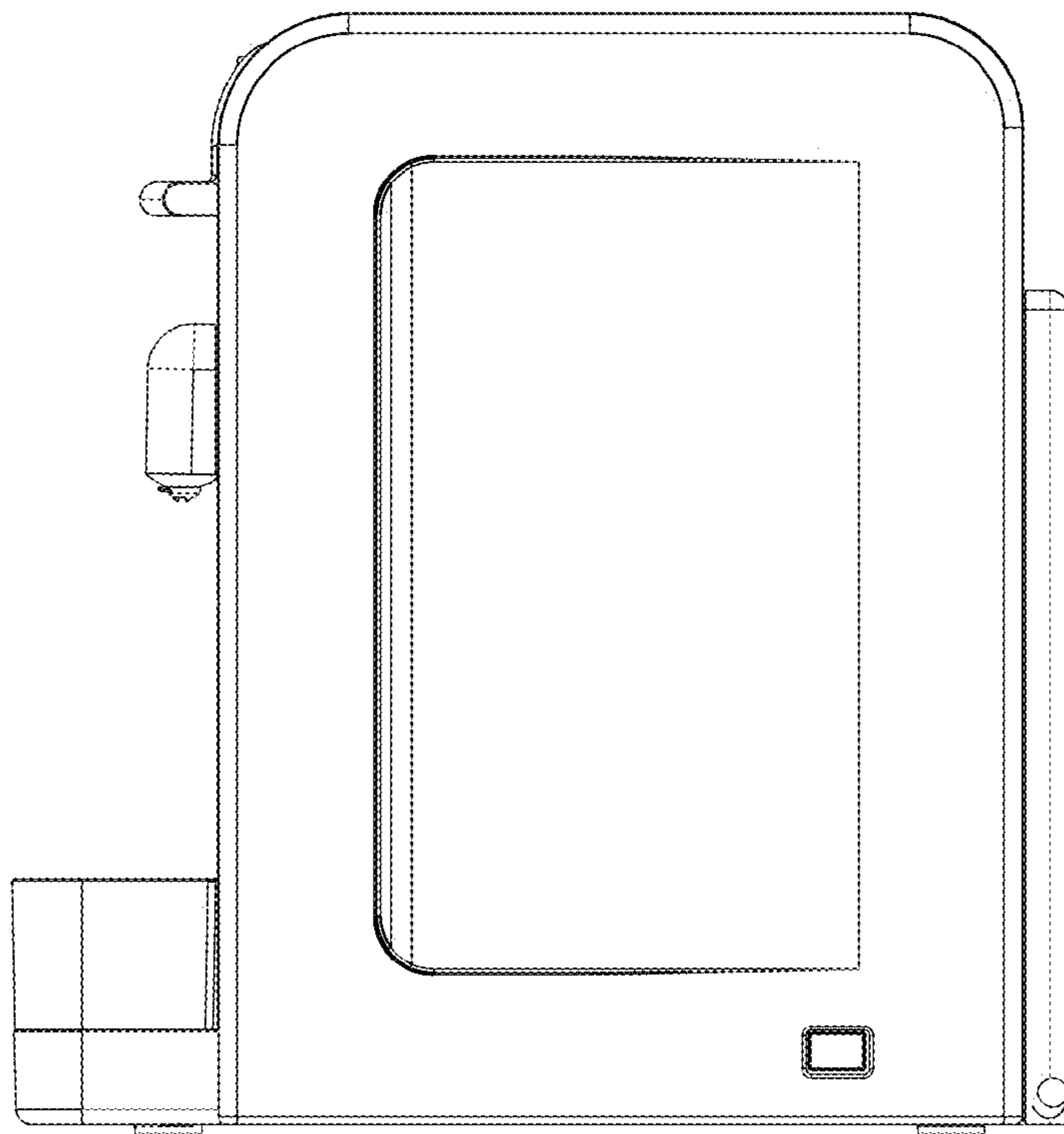


FIG. 3

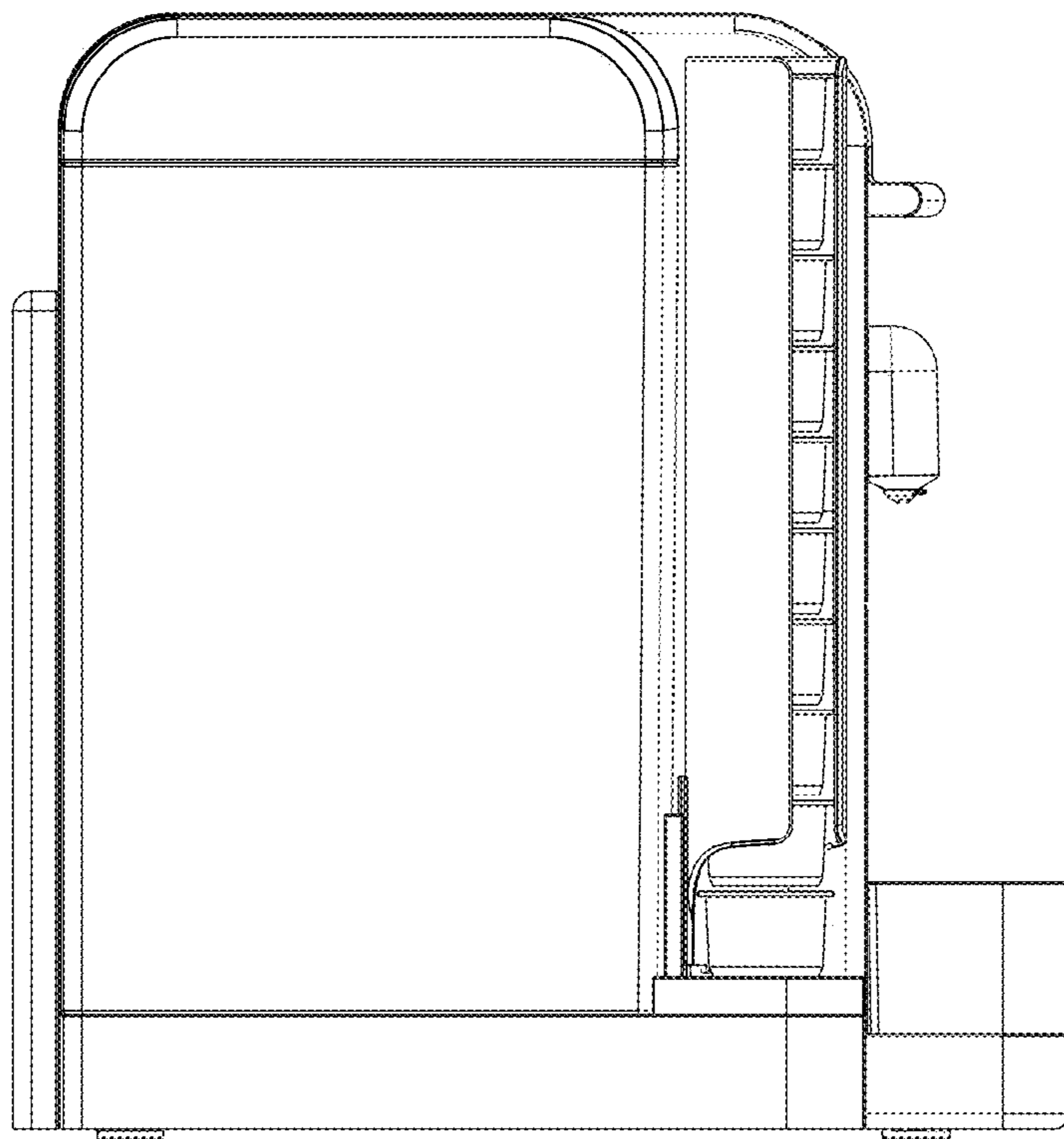


FIG. 4

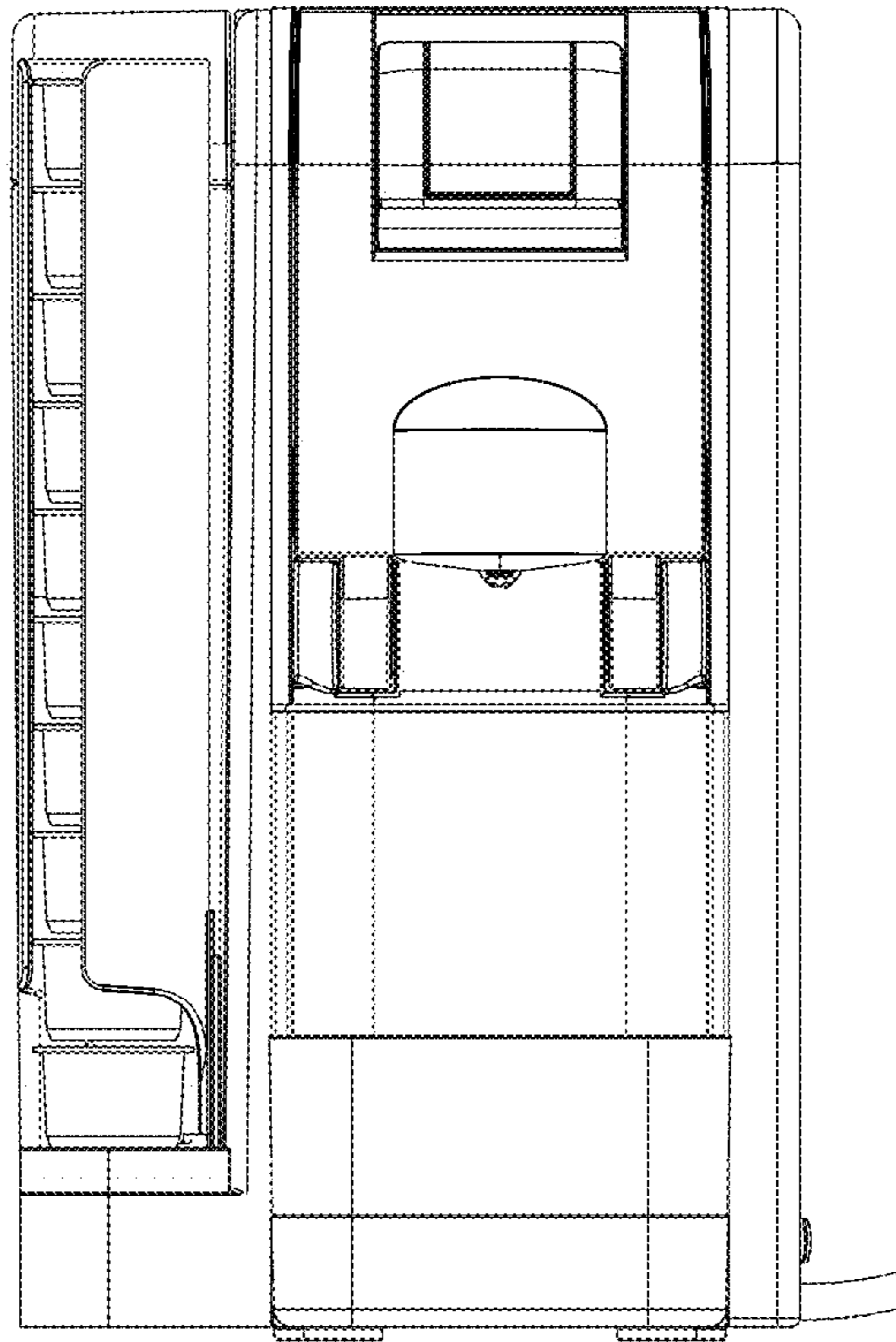


FIG. 5

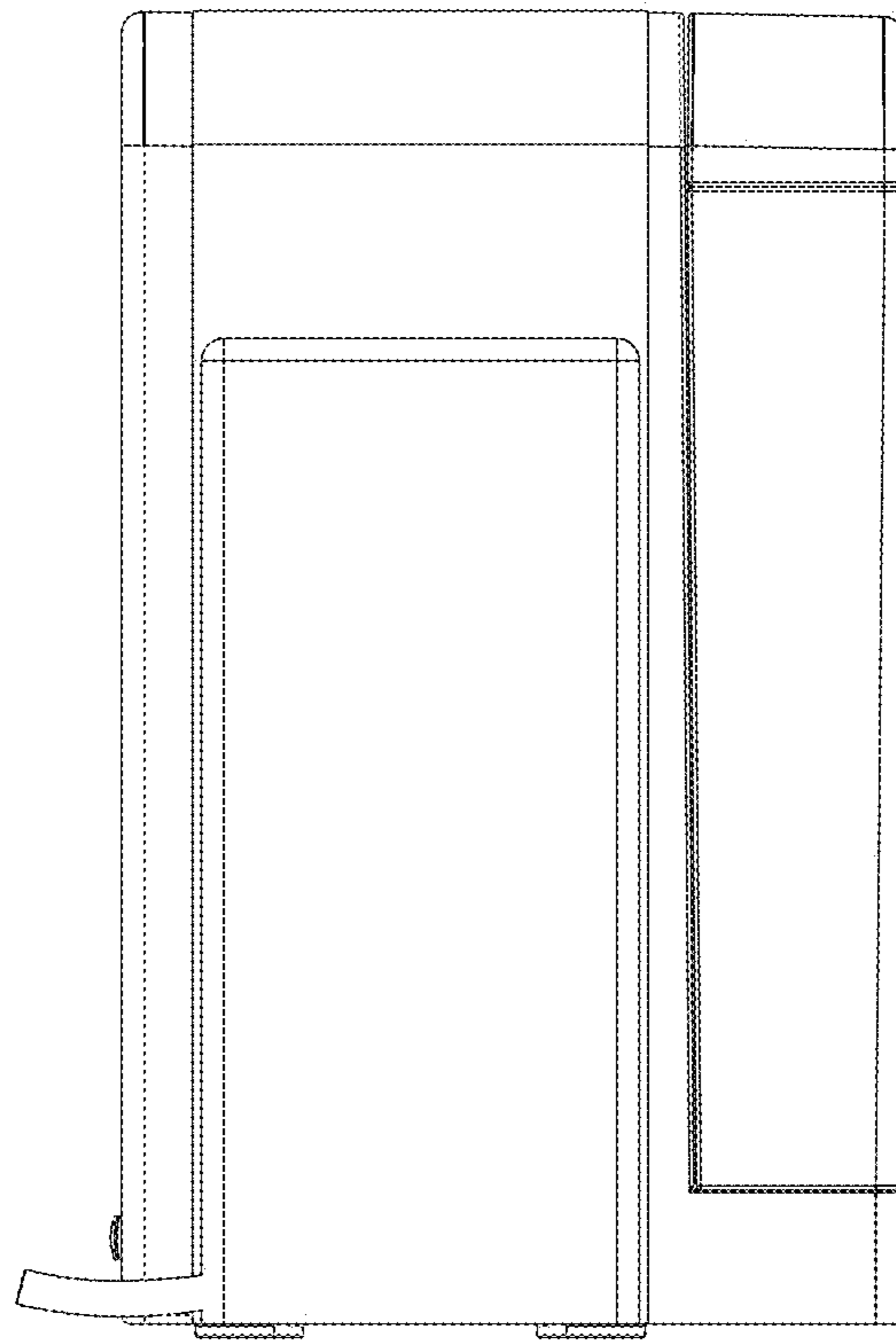


FIG. 6

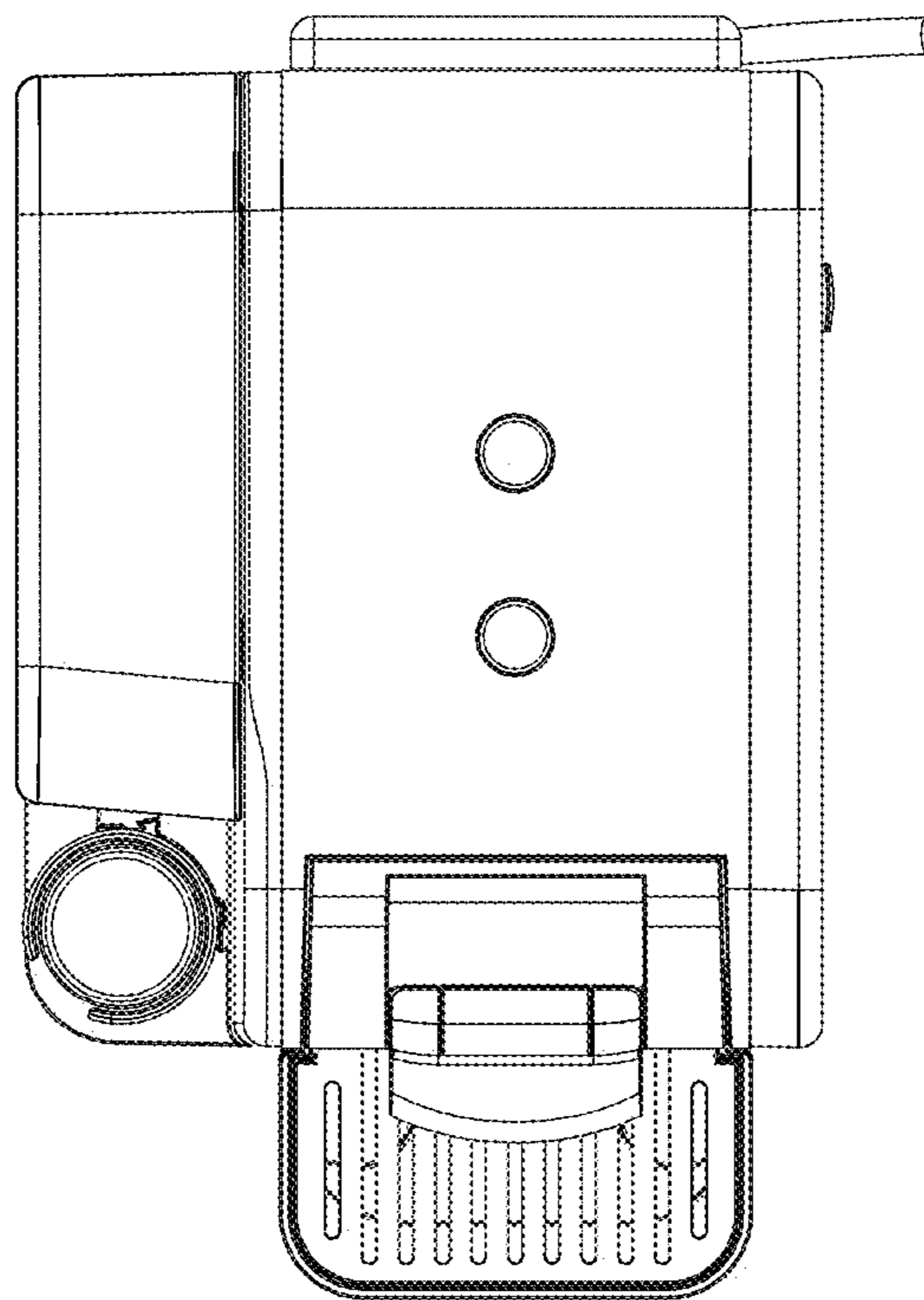


FIG. 7