



US00D742155S

(12) **United States Design Patent**
Carpenter

(10) **Patent No.:** **US D742,155 S**

(45) **Date of Patent:** **** Nov. 3, 2015**

(54) **SEAT BACK ARTICULATING HEADREST**

(71) Applicant: **Trayton America, Inc.**, High Point, NC
(US)

(72) Inventor: **Jackson Carpenter**, Little Rock, AR
(US)

(73) Assignee: **Trayton America, Inc.**, High Point, NC
(US)

(**) Term: **14 Years**

(21) Appl. No.: **29/506,637**

(22) Filed: **Oct. 17, 2014**

(51) **LOC (10) Cl.** **06-01**

(52) **U.S. Cl.**
USPC **D6/716.5**

(58) **Field of Classification Search**
USPC 22/334–338, 349, 355, 361, 368–370,
22/376, 379–381, 716, 716.1, 716.2, 340,
22/354, 377, 709, 710, 716.4, 367, 716.5;
297/16.1, 42, 94, 135, 175, 232, 233,
297/350, 351, 445.1, 448.1, 448.2, 451.9,
297/452.1, DIG. 7; 5/12.1, 12.2
CPC A47C 1/02; A47C 1/024; A47C 7/18;
A47C 7/24; A47C 17/00; A47C 17/02;
A47C 17/175

See application file for complete search history.

(56) **References Cited**

U.S. PATENT DOCUMENTS

D432,336 S	*	10/2000	Gibson	D6/716
D459,095 S	*	6/2002	Lewis et al.	D6/334
D474,906 S	*	5/2003	Ricci	D6/381
D493,298 S	*	7/2004	Ricci	D6/381
D497,056 S	*	10/2004	Ricci	D6/381

(Continued)

OTHER PUBLICATIONS

Simon Li Press Back Recliner; known at least as early as Oct. 16, 2014; 2 pgs.

(Continued)

Primary Examiner — Sandra Snapp

(74) *Attorney, Agent, or Firm* — Womble Carlyle Sandridge & Rice, LLP

(57) **CLAIM**

The ornamental design for a seat back articulating headrest, as shown and described.

DESCRIPTION

FIG. 1 is a front left perspective view of my new design in a first compressed position;

FIG. 2 is a left top perspective view thereof;

FIG. 3 is a left side view thereof; and

FIG. 4 is a front view thereof.

FIG. 5 is a front left perspective view of my new design in a first expanded position;

FIG. 6 is a left top perspective view thereof;

FIG. 7 is a left side view thereof; and

FIG. 8 is a front view thereof;

FIG. 9 is a front left perspective view of my new design in a second compressed position;

FIG. 10 is a left top perspective view thereof;

FIG. 11 is a left side view thereof; and

FIG. 12 is a front view thereof;

FIG. 13 is a front left perspective view of my new design in a second expanded position;

FIG. 14 is a left top perspective view thereof;

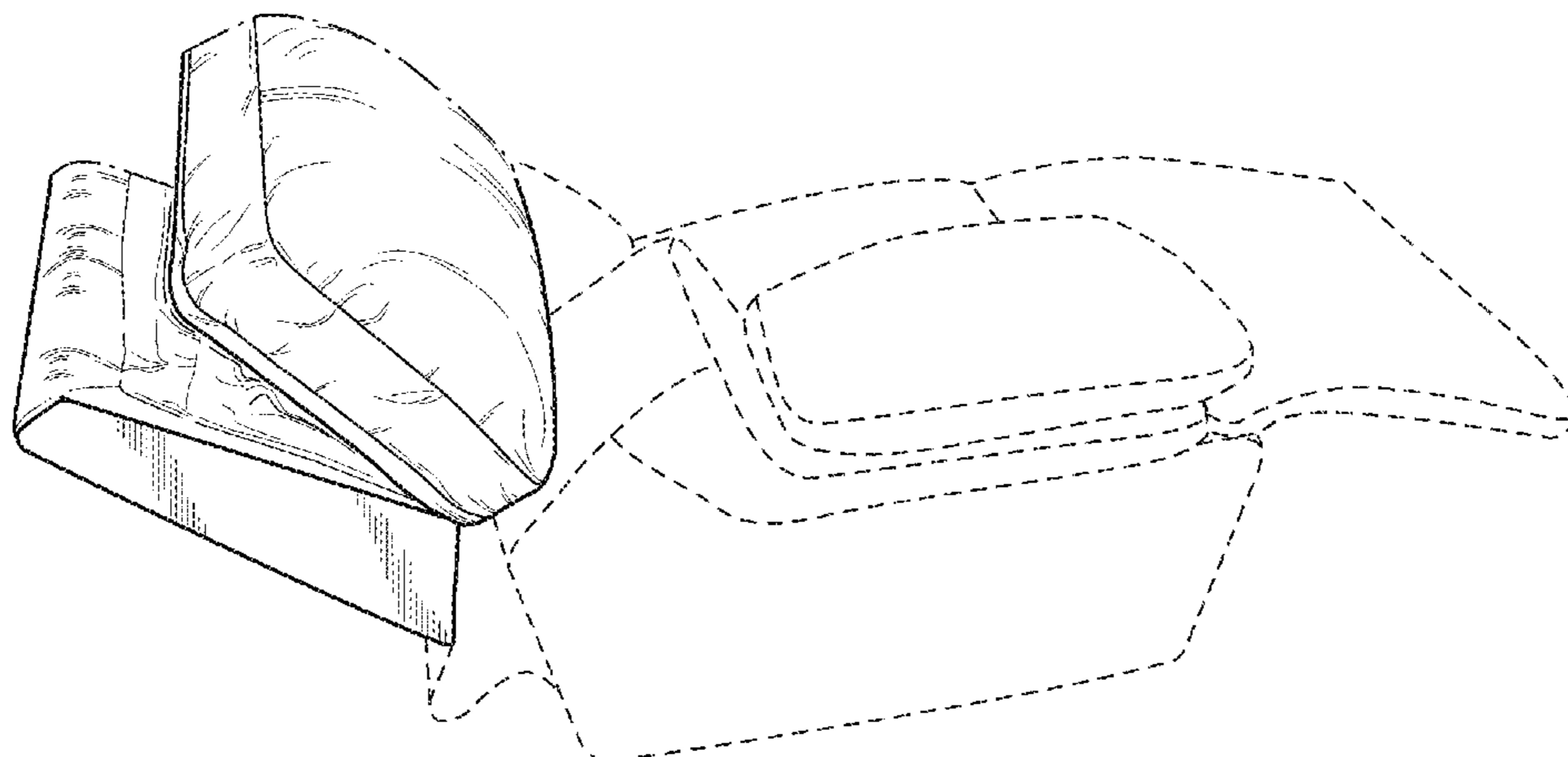
FIG. 15 is a left side view thereof; and,

FIG. 16 is a front view thereof.

The views of the seat back articulating headrest not shown form no part of the claimed design.

The dash-dot lines in FIGS. 1, 2, 4-6, 8-10, 12-14, and 16 immediately adjacent to the shaded area represent unclaimed boundaries of the design. The dash-dash lines elsewhere in FIGS. 1-16 refer to environmental elements only and form no part of the claimed design.

1 Claim, 16 Drawing Sheets



(56)

References Cited

U.S. PATENT DOCUMENTS

D512,847 S * 12/2005 Ricci D6/381
D525,803 S * 8/2006 Peacock D6/381
D544,242 S * 6/2007 Ricci D6/381
D721,513 S * 1/2015 Adair et al. D6/381
D721,514 S * 1/2015 Adair et al. D6/381

D721,899 S * 2/2015 Adair et al. D6/381

OTHER PUBLICATIONS

Simon Li Rocking Recliner; known at least as early as Oct. 16, 2014;
2 pgs.
American Leather Comfort Recliner; known at least as early as Oct.
16, 2014; 1 pg.

* cited by examiner

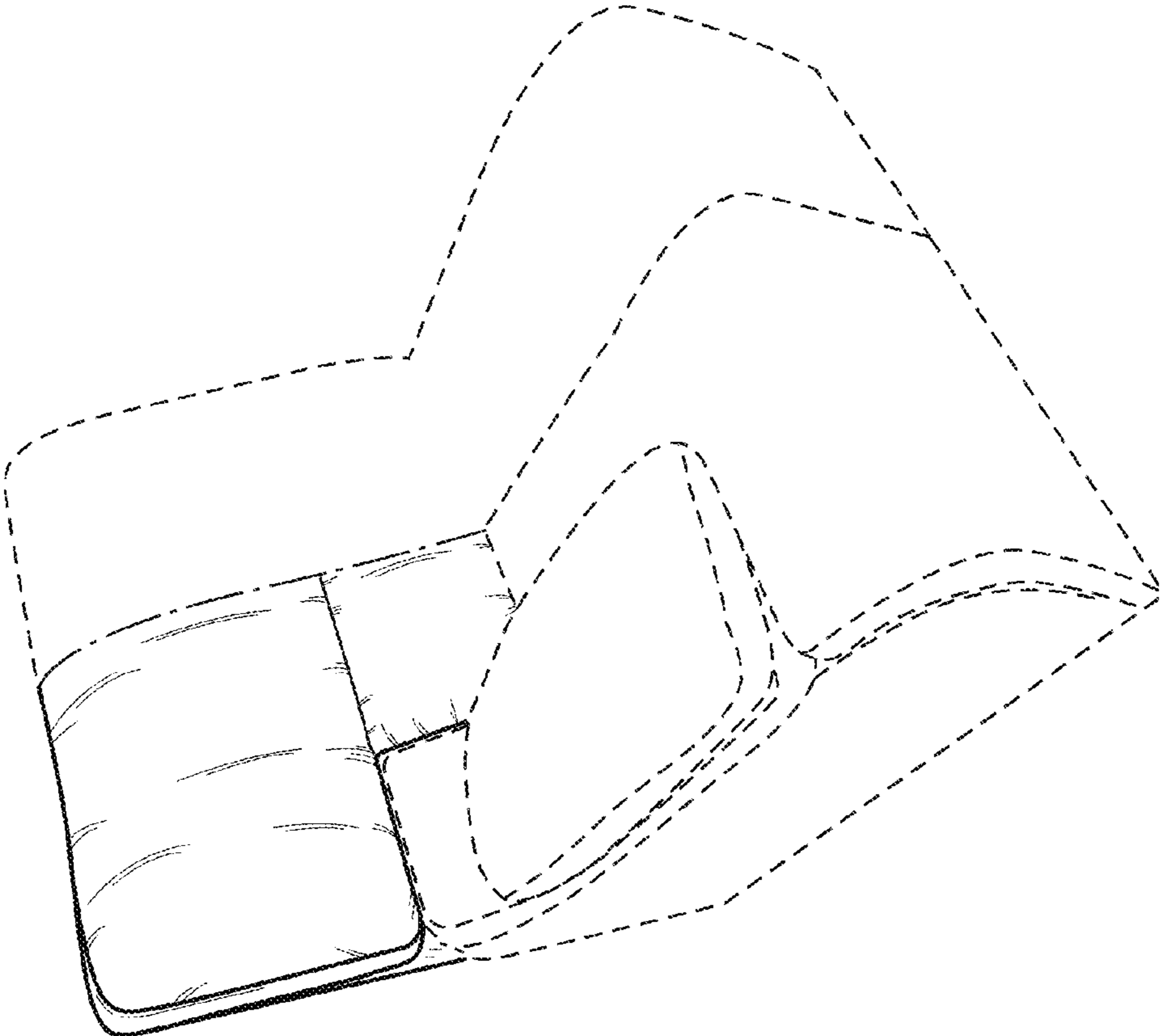


FIG. 1

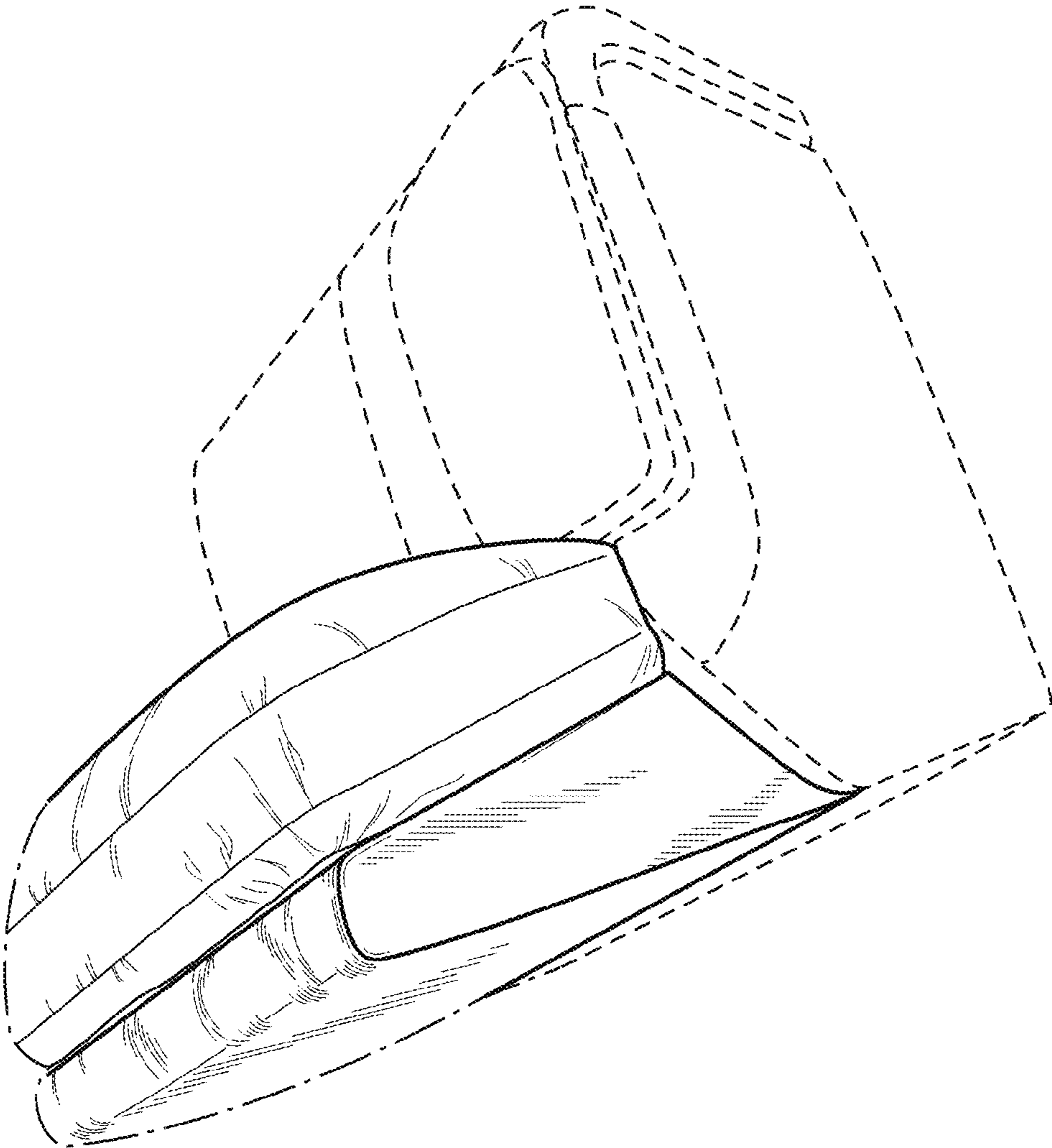


FIG. 2

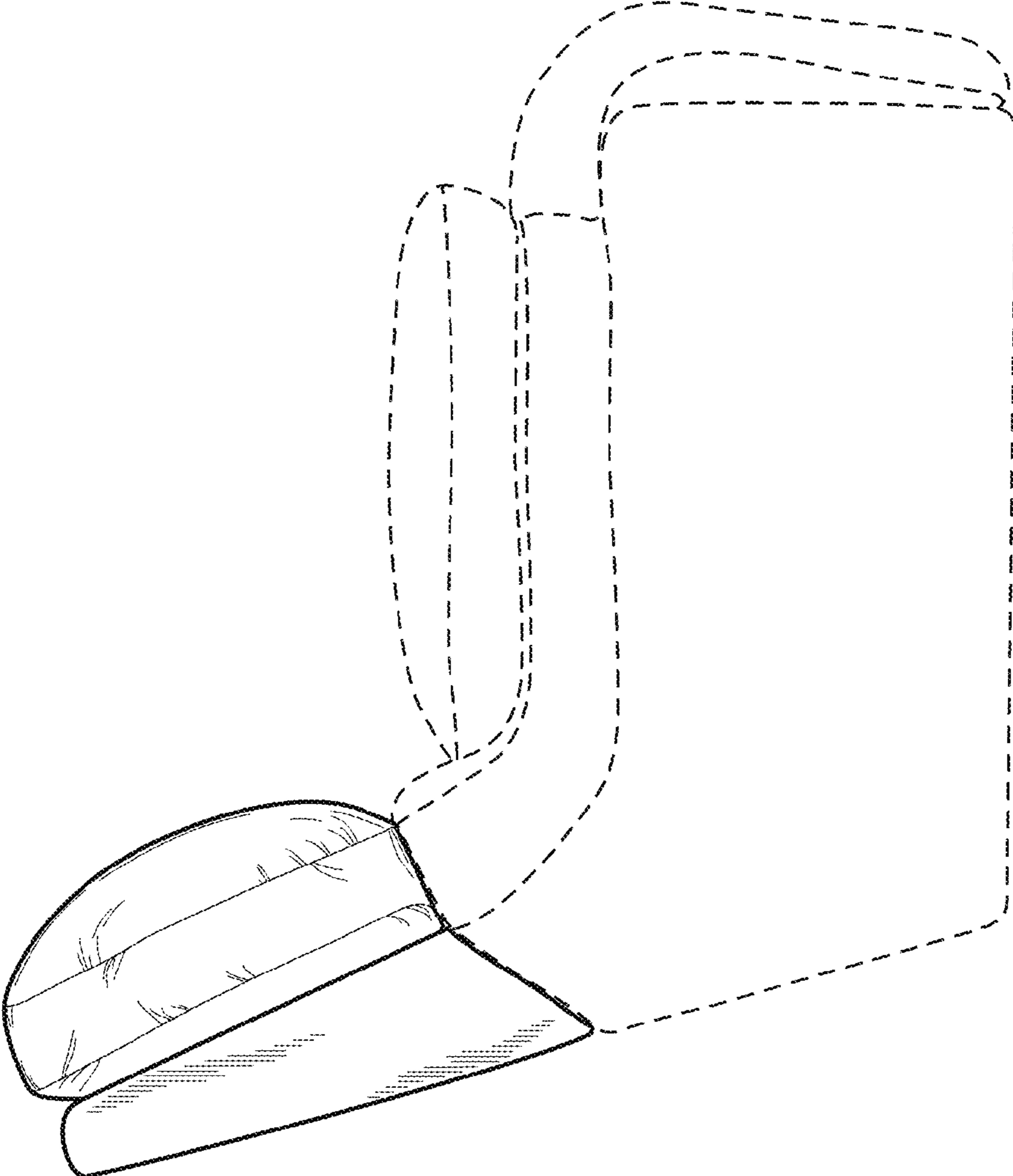


FIG. 3

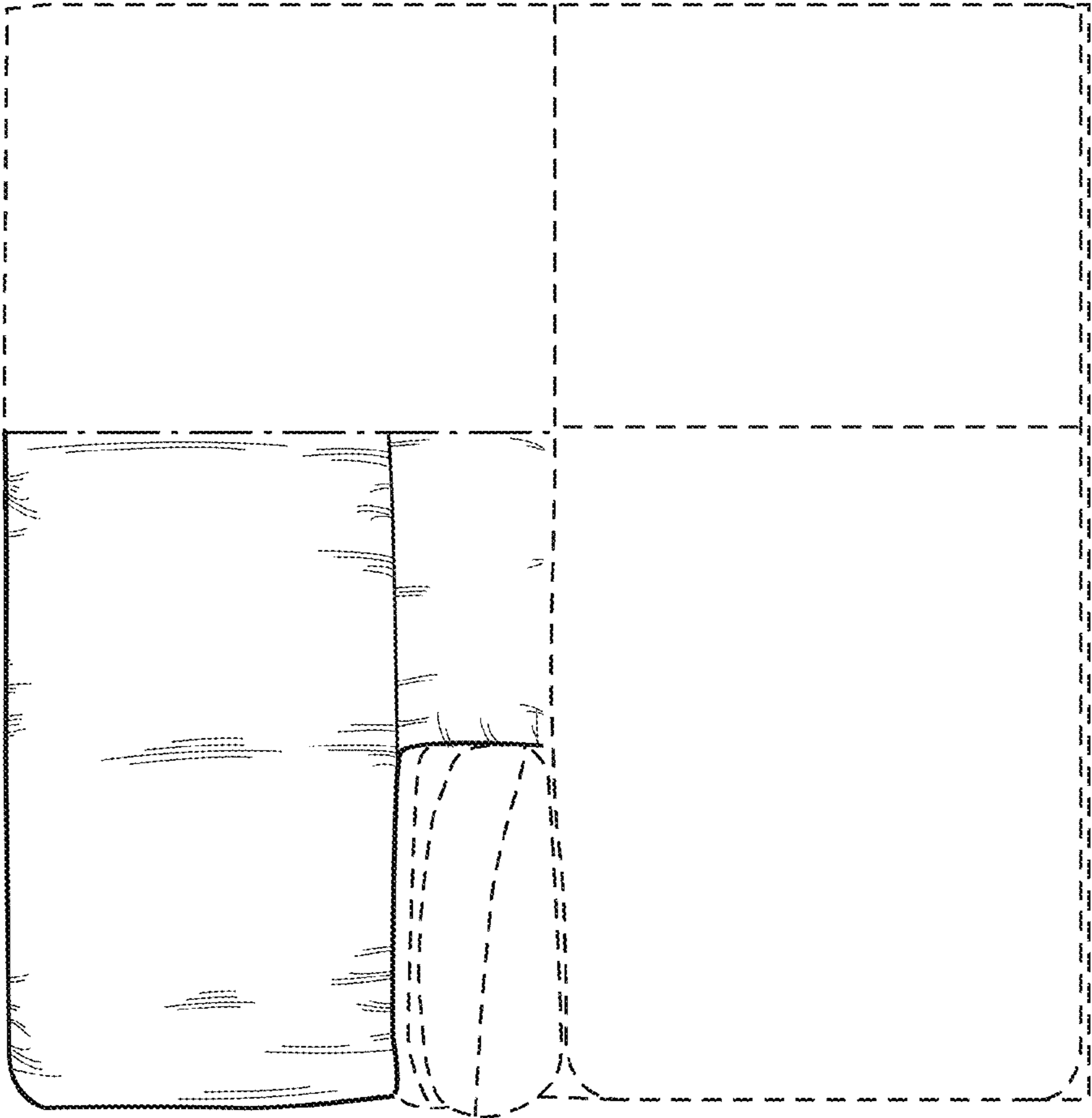


FIG. 4

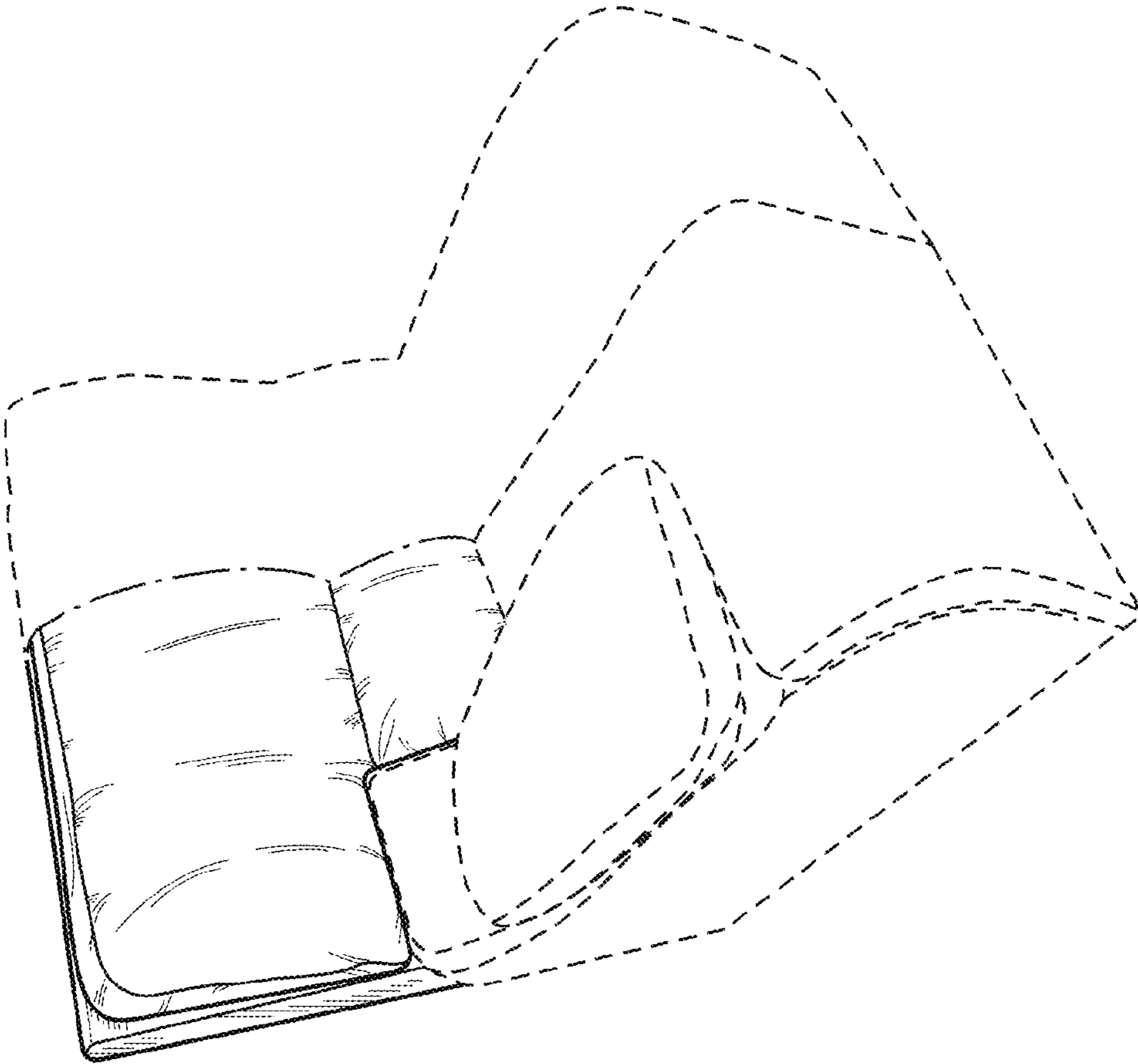


FIG. 5

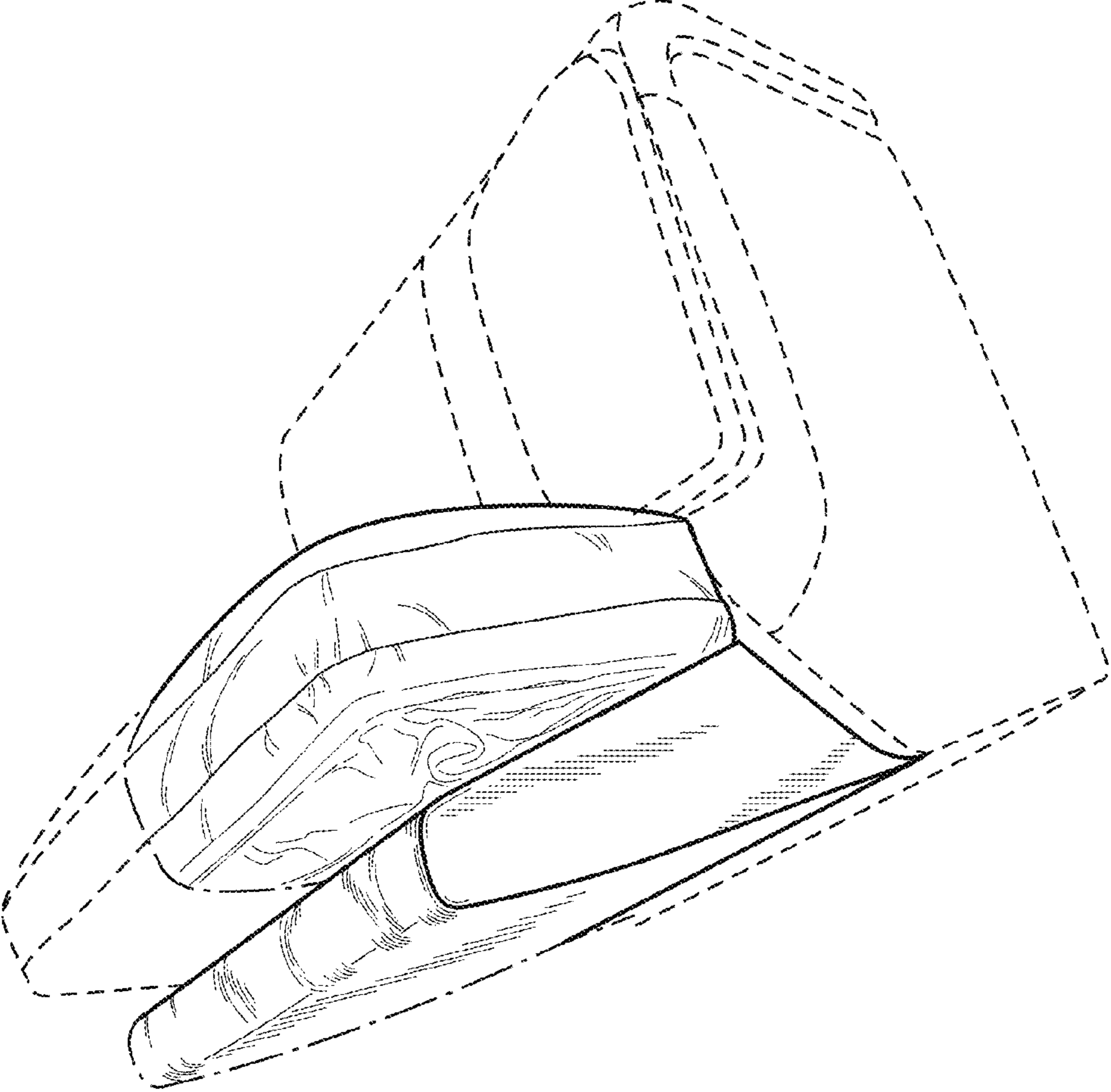


FIG. 6

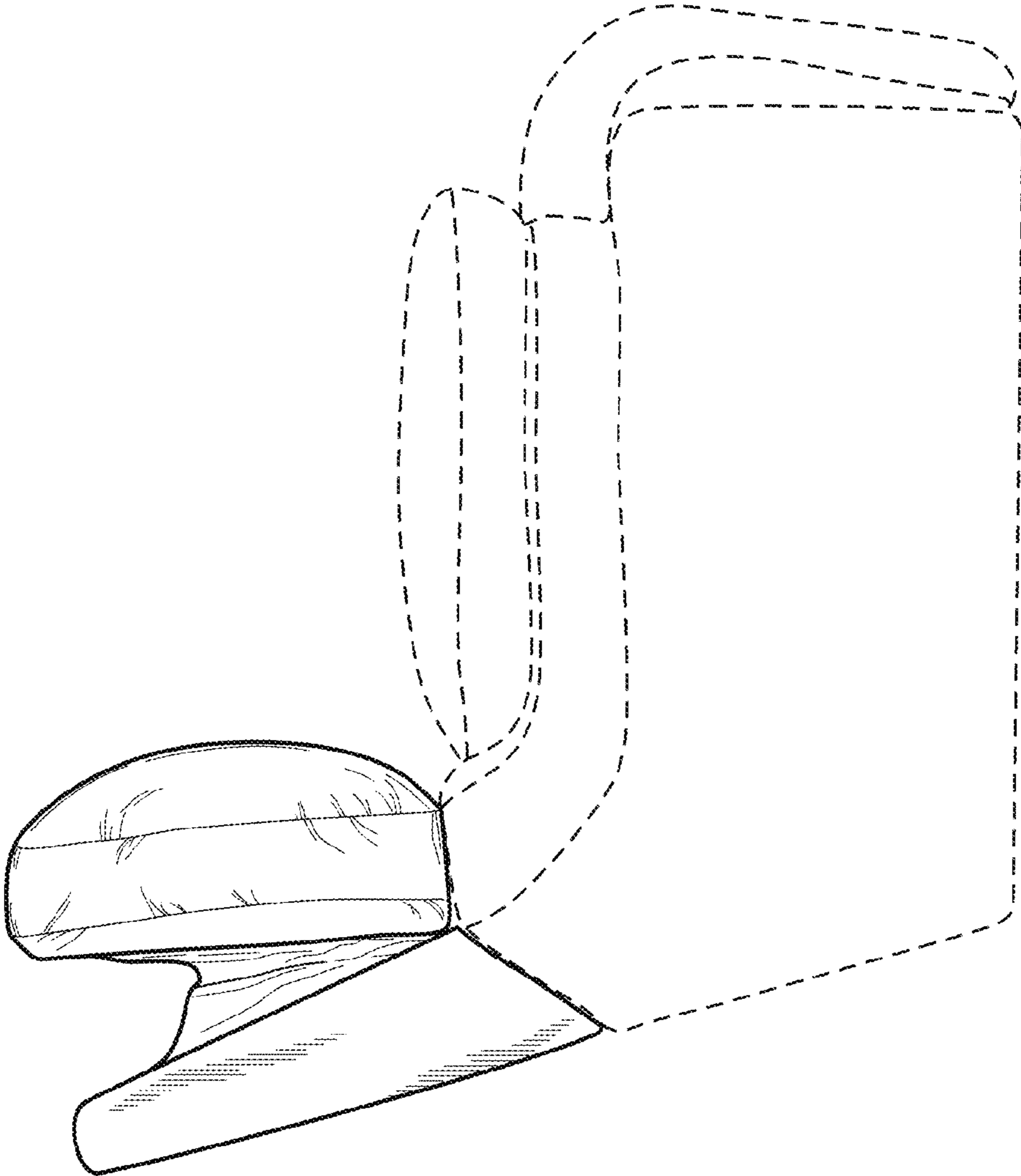


FIG. 7

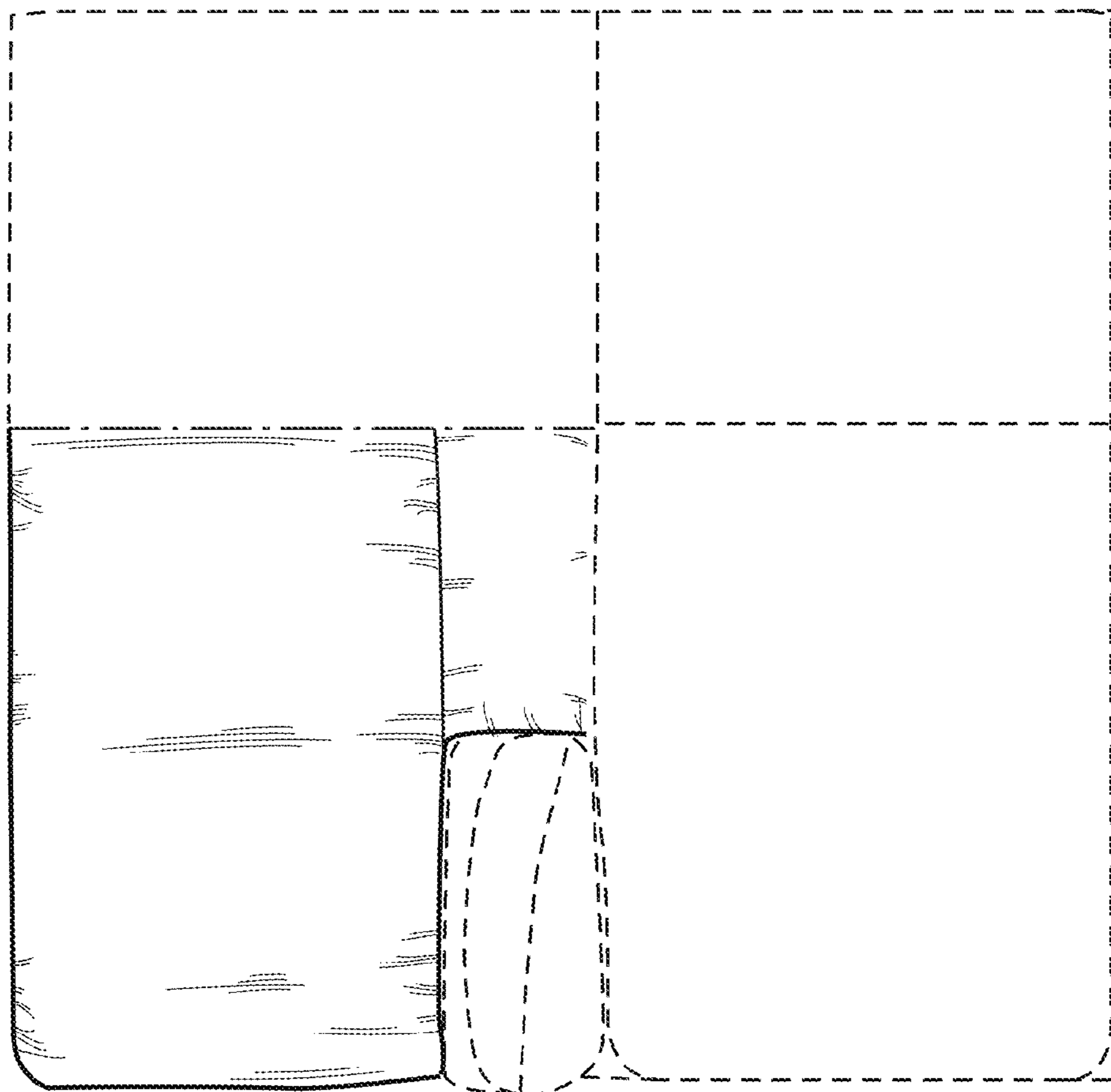


FIG. 8

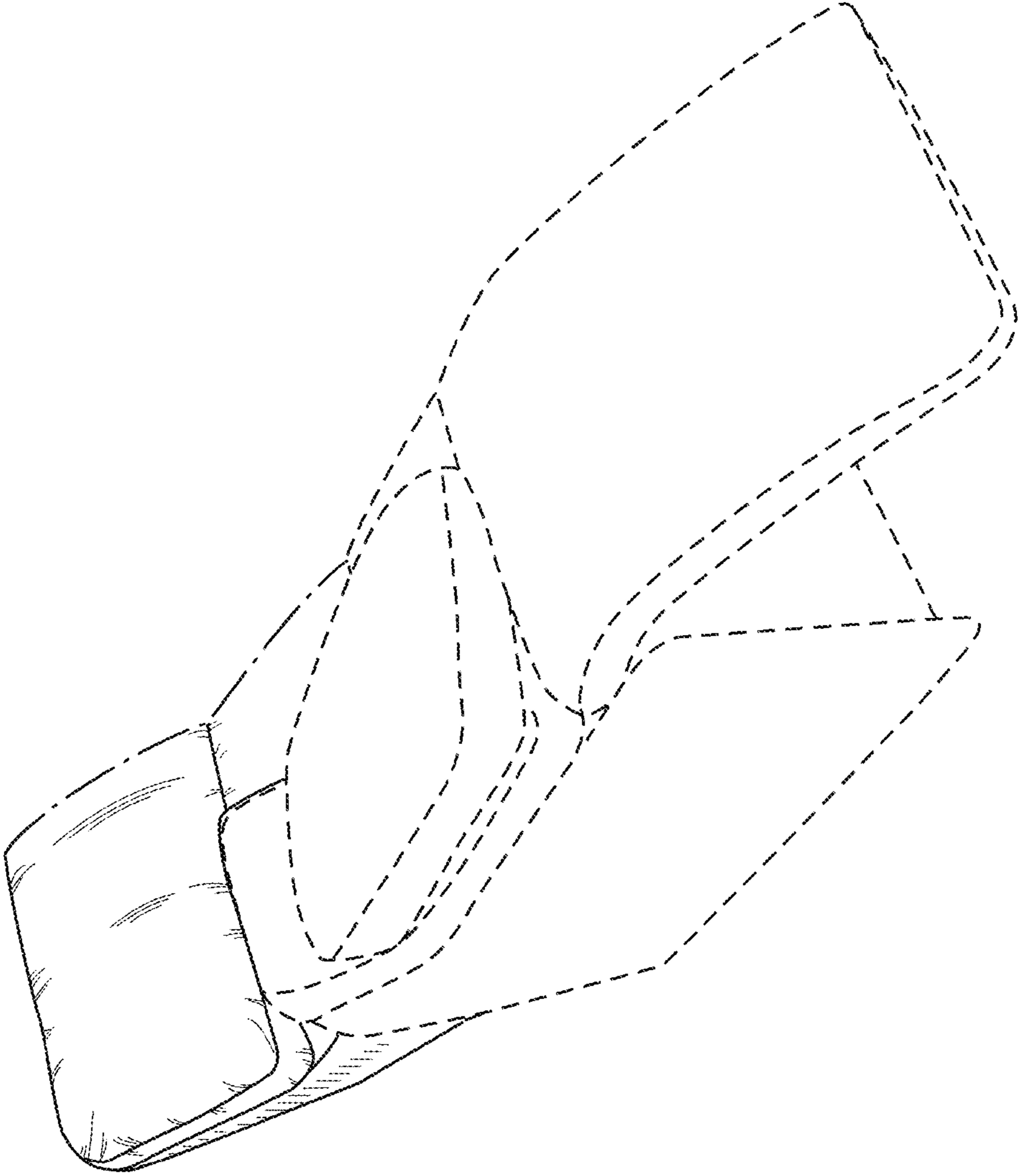


FIG. 9

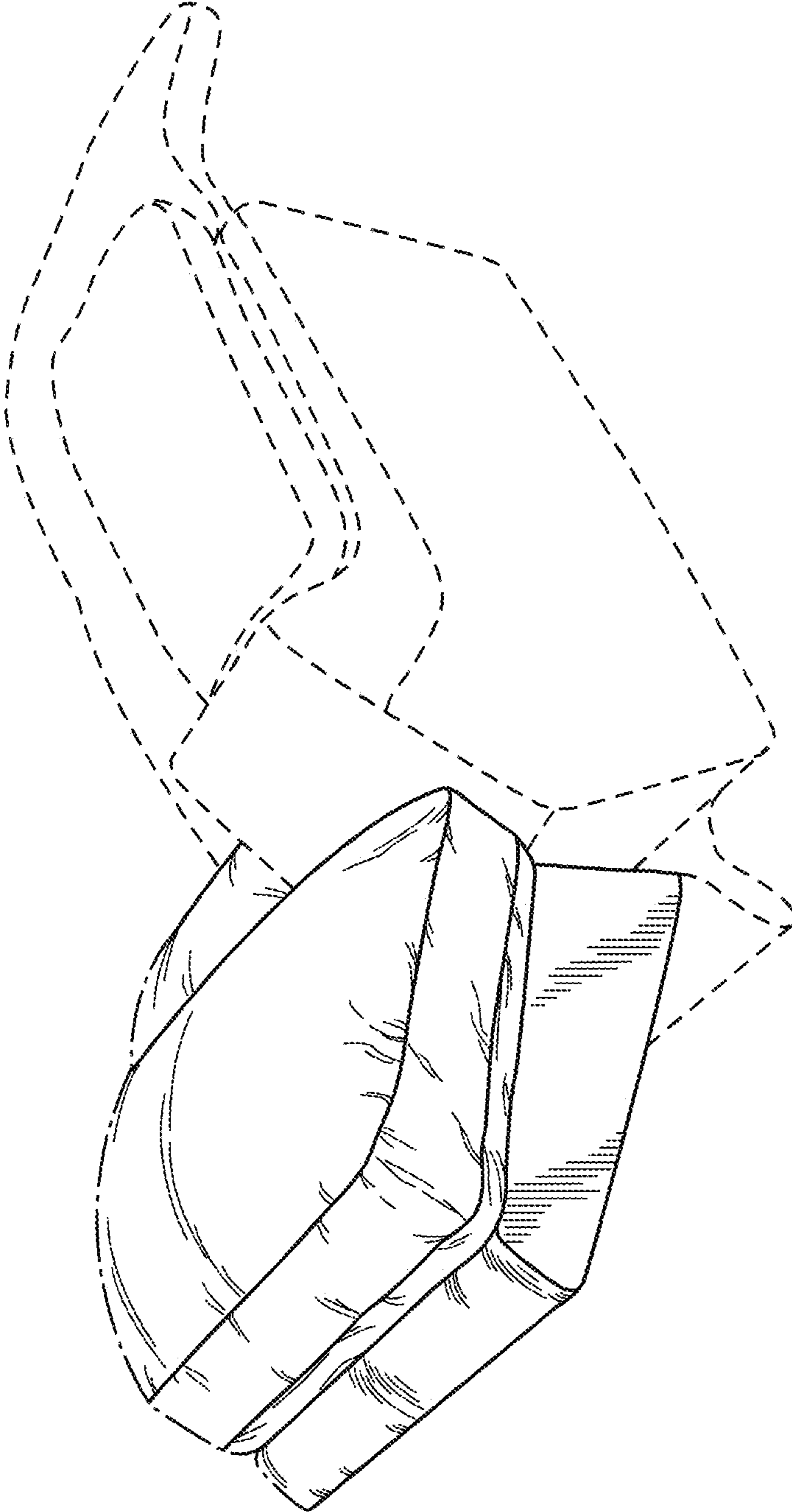


FIG. 10

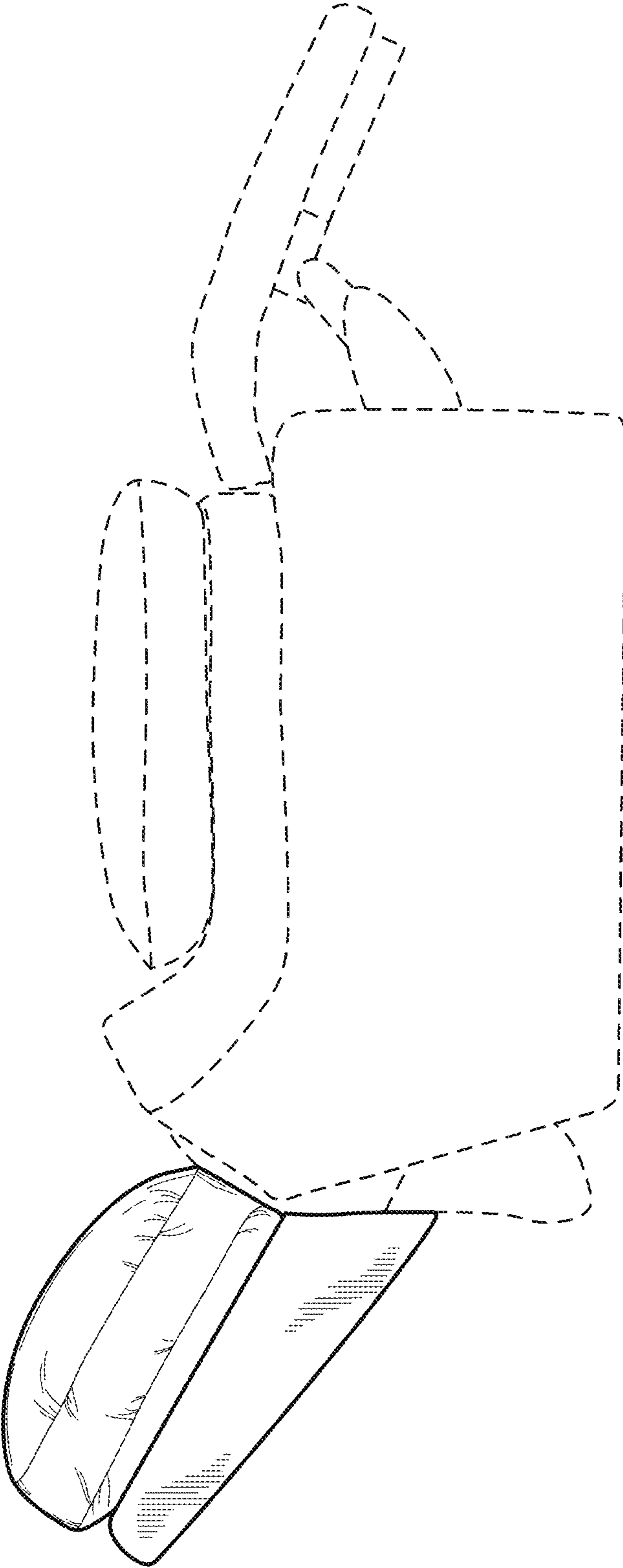


FIG. 11

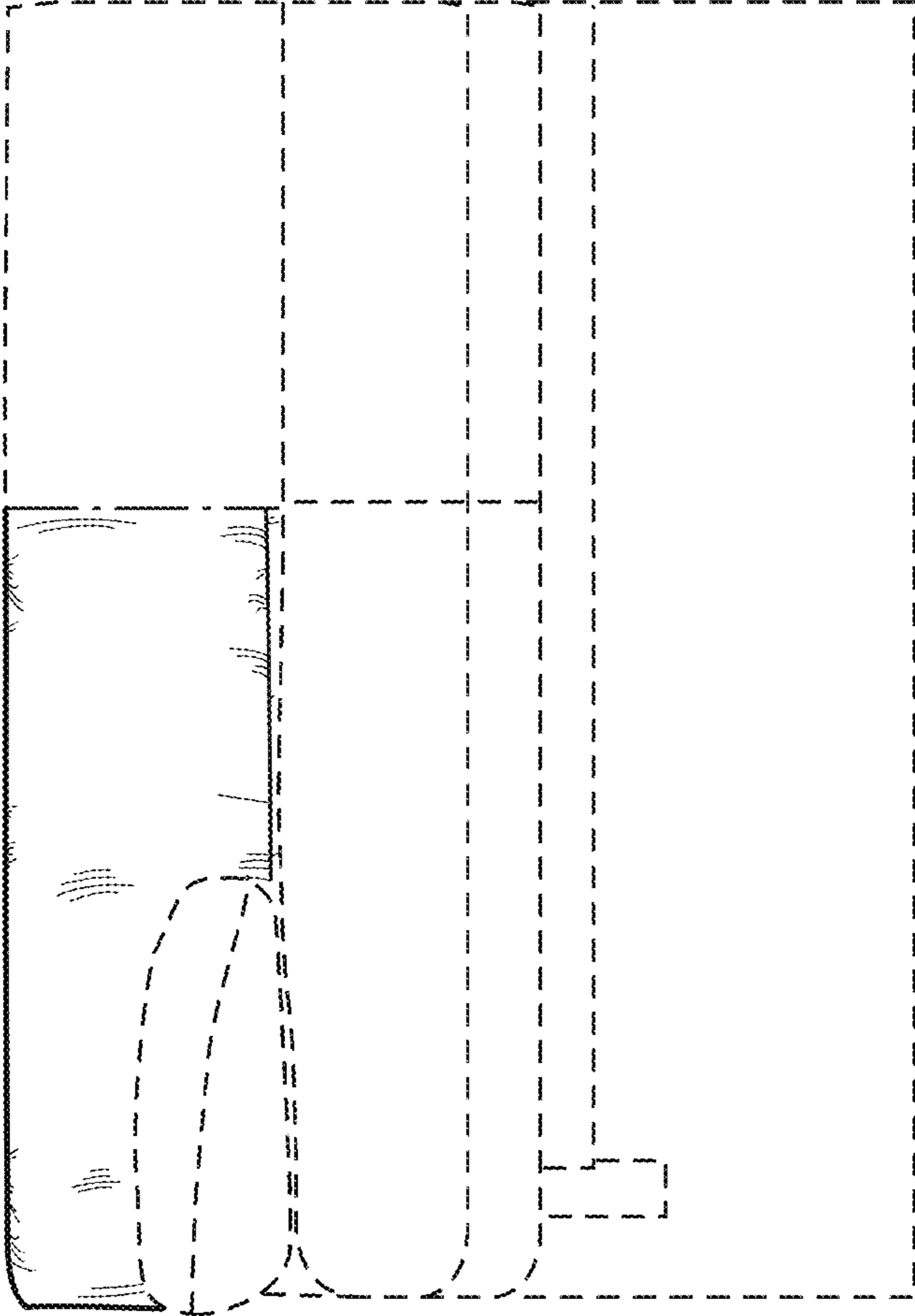


FIG. 12

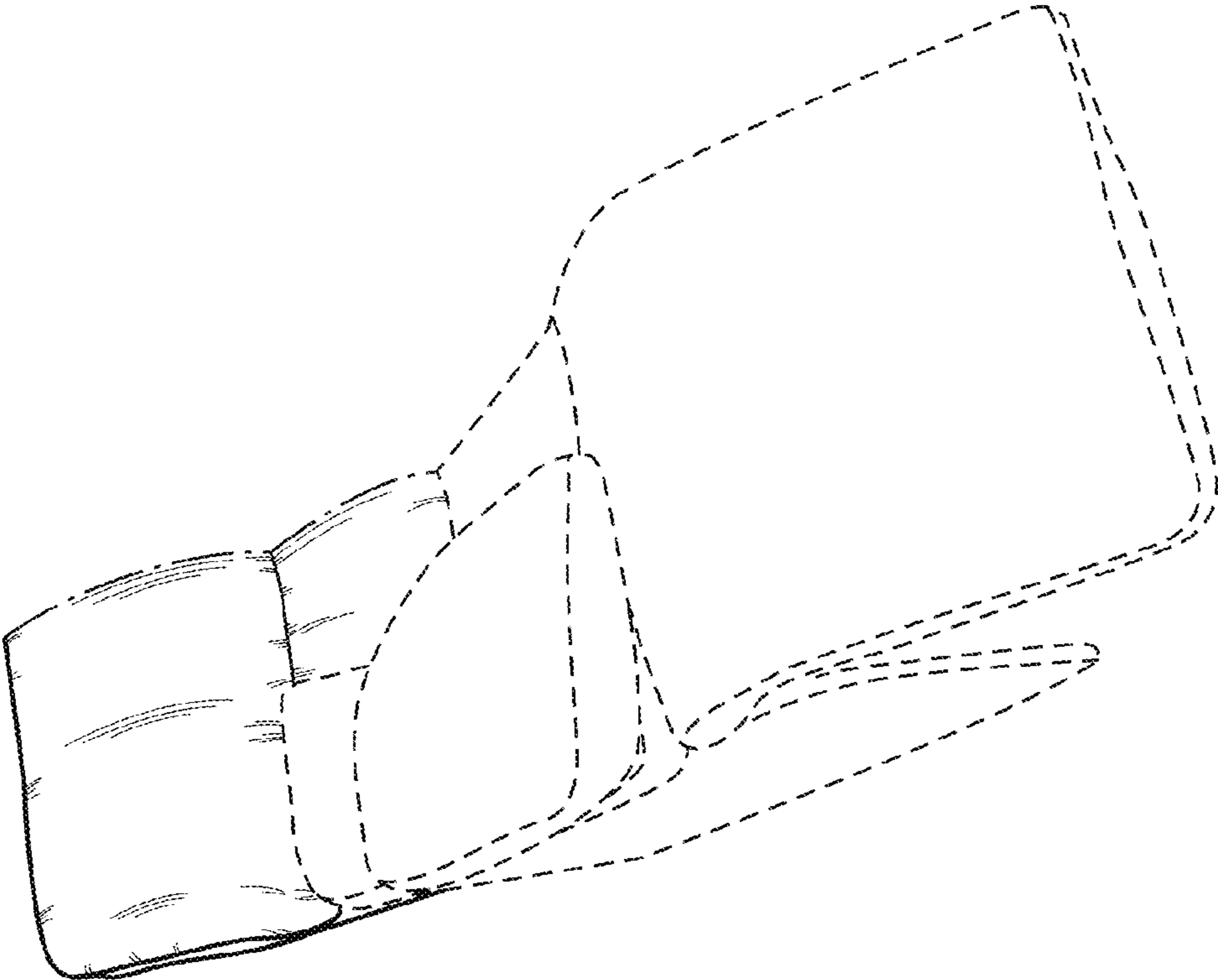


FIG. 13

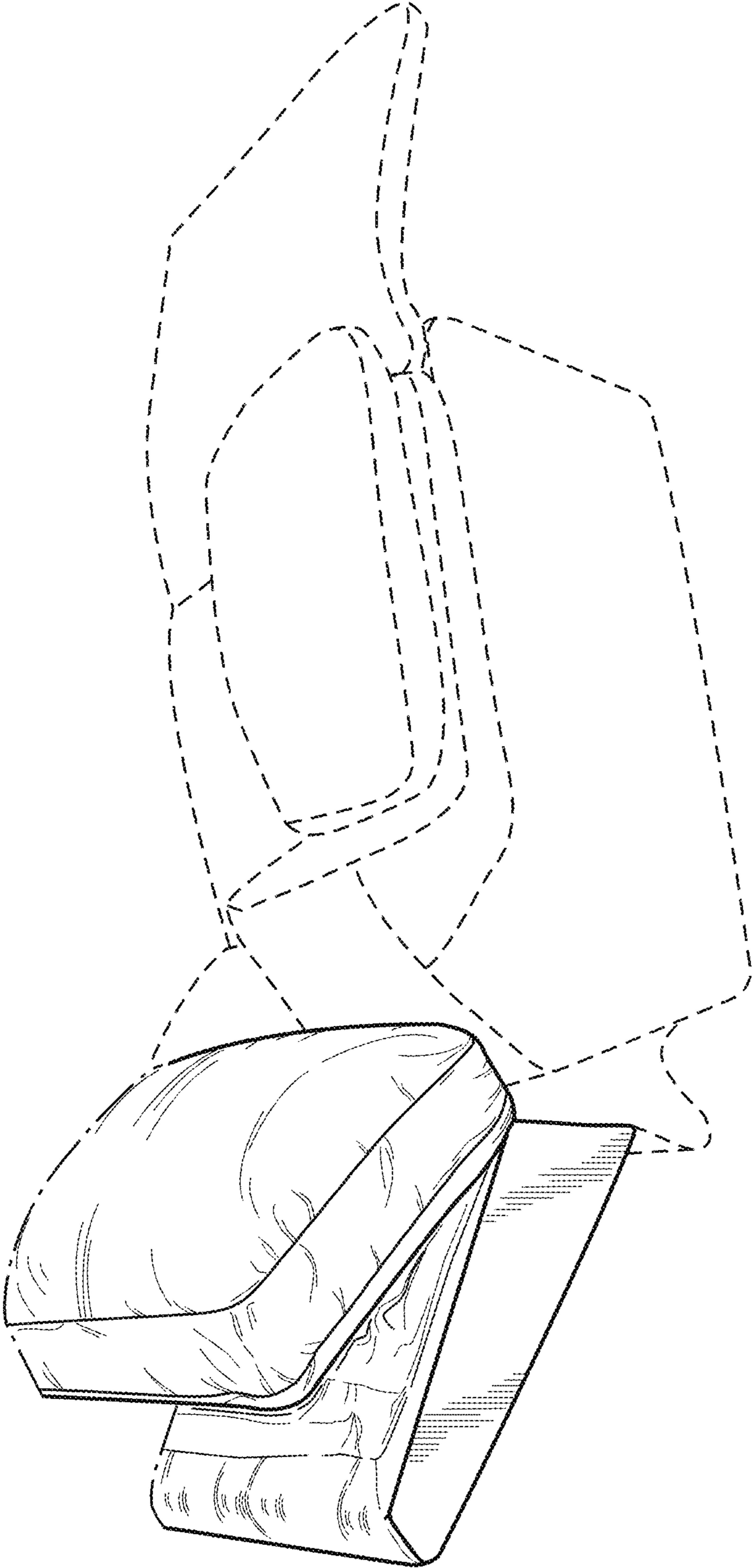


FIG. 14

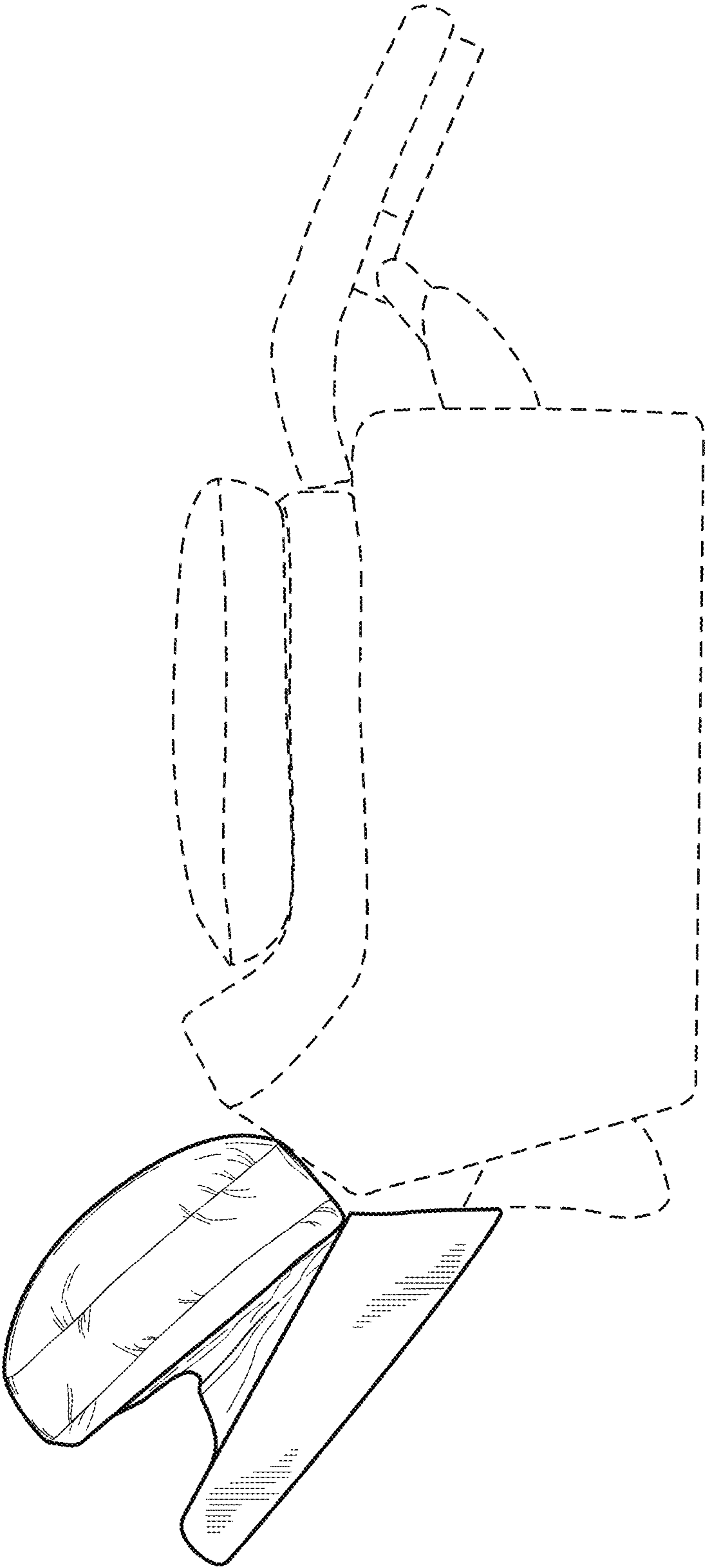


FIG. 15

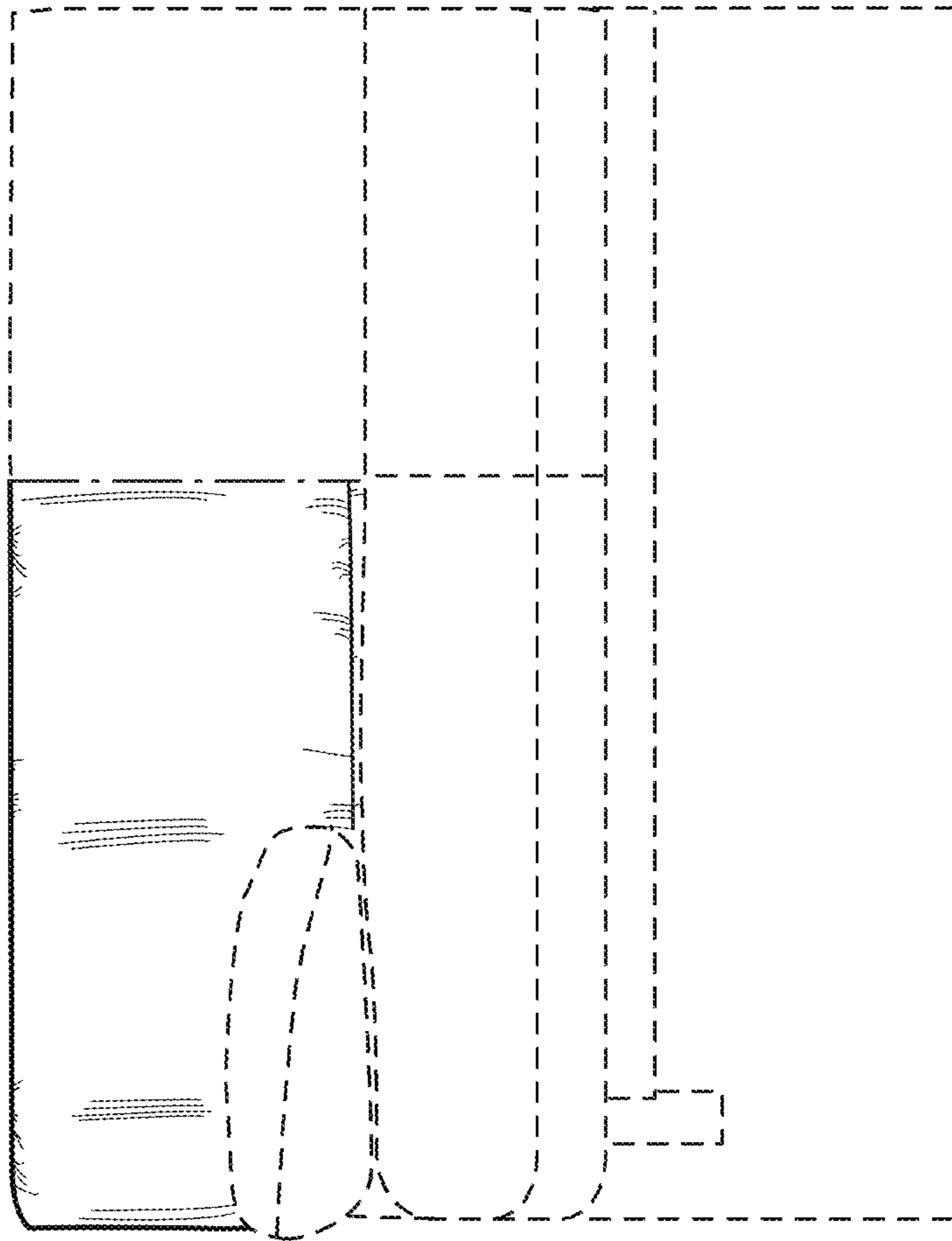


FIG. 16