



US00D742154S

(12) **United States Design Patent**
Piretti

(10) **Patent No.:** **US D742,154 S**
(45) **Date of Patent:** **** Nov. 3, 2015**

(54) **CHAIR**

(71) Applicant: **PRO-CORD S.p.A.**, Bologna (IT)

(72) Inventor: **Giancarlo Piretti**, Bologna (IT)

(73) Assignee: **PRO-CORD S.p.A.**, Bologna (IT)

(**) Term: **14 Years**

(21) Appl. No.: **29/508,678**

(22) Filed: **Nov. 10, 2014**

(51) **LOC (10) Cl.** **06-01**

(52) **U.S. Cl.**
USPC **D6/716; D6/380**

(58) **Field of Classification Search**
USPC D6/334–336, 371–373, 374, 376, 379,
D6/380, 716, 716.1, 716.2, 716.3, 716.4
CPC A47C 3/04; A47C 4/02; A47C 4/03;
A47C 7/16; A47C 5/04; A47C 5/06; A47C
5/10

See application file for complete search history.

(56) **References Cited**

U.S. PATENT DOCUMENTS

D513,902 S *	1/2006	Piretti	D6/380
D564,264 S *	3/2008	Smith et al.	D6/716
D581,689 S *	12/2008	Marini	D6/380
D592,876 S *	5/2009	Smith et al.	D6/380
7,775,600 B2 *	8/2010	Bathey et al.	A47C 4/02
D650,197 S *	12/2011	Kang	D6/380
D655,102 S *	3/2012	Yetman et al.	D6/373

* cited by examiner

Primary Examiner — Mimosa De

(74) *Attorney, Agent, or Firm* — Clark & Brody

(57) **CLAIM**

The ornamental design for a chair, as shown and described.

DESCRIPTION

FIG. 1 is a front elevation view of a chair showing my new design.

FIG. 2 is a top plan view thereof.

FIG. 3 is right side elevation view thereof. The left side elevation view is a mirror image of FIG. 3.

FIG. 4 is a rear elevation view thereof.

FIG. 5 is a bottom view thereof; and,

FIG. 6 is a perspective thereof.

Features shown in phantom lines are for environment only and form no part of the invention.

1 Claim, 6 Drawing Sheets

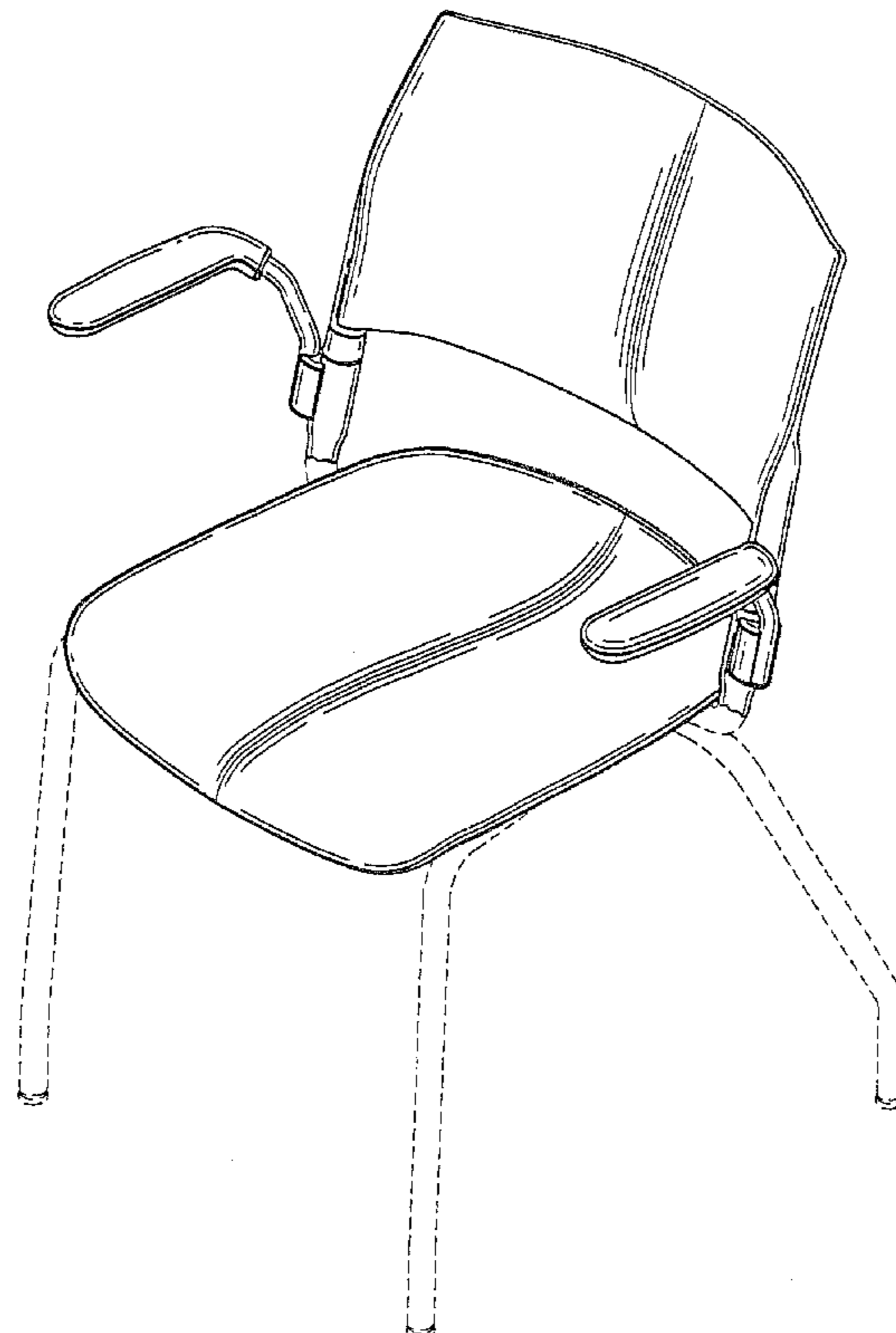


FIG. 1

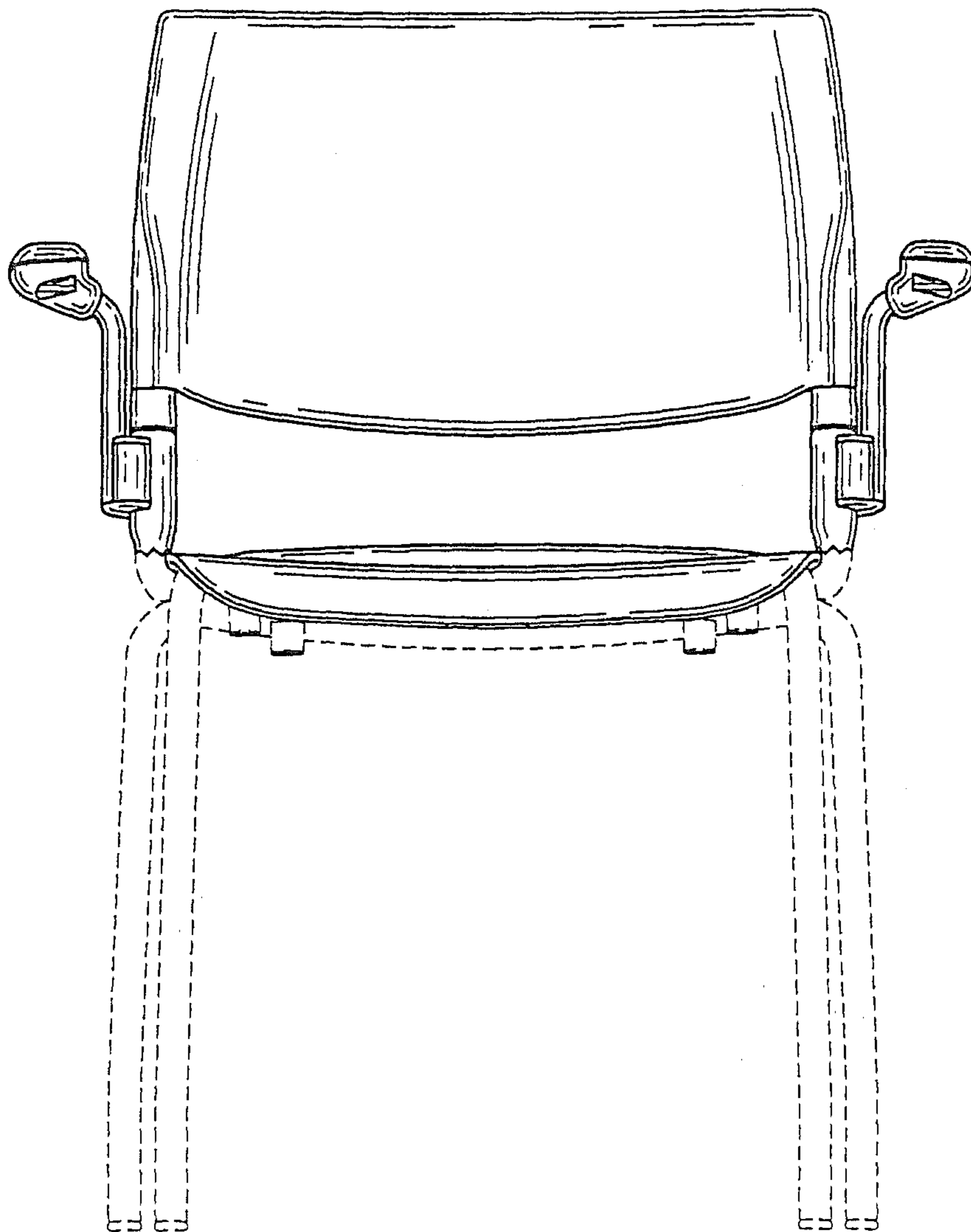


FIG. 2

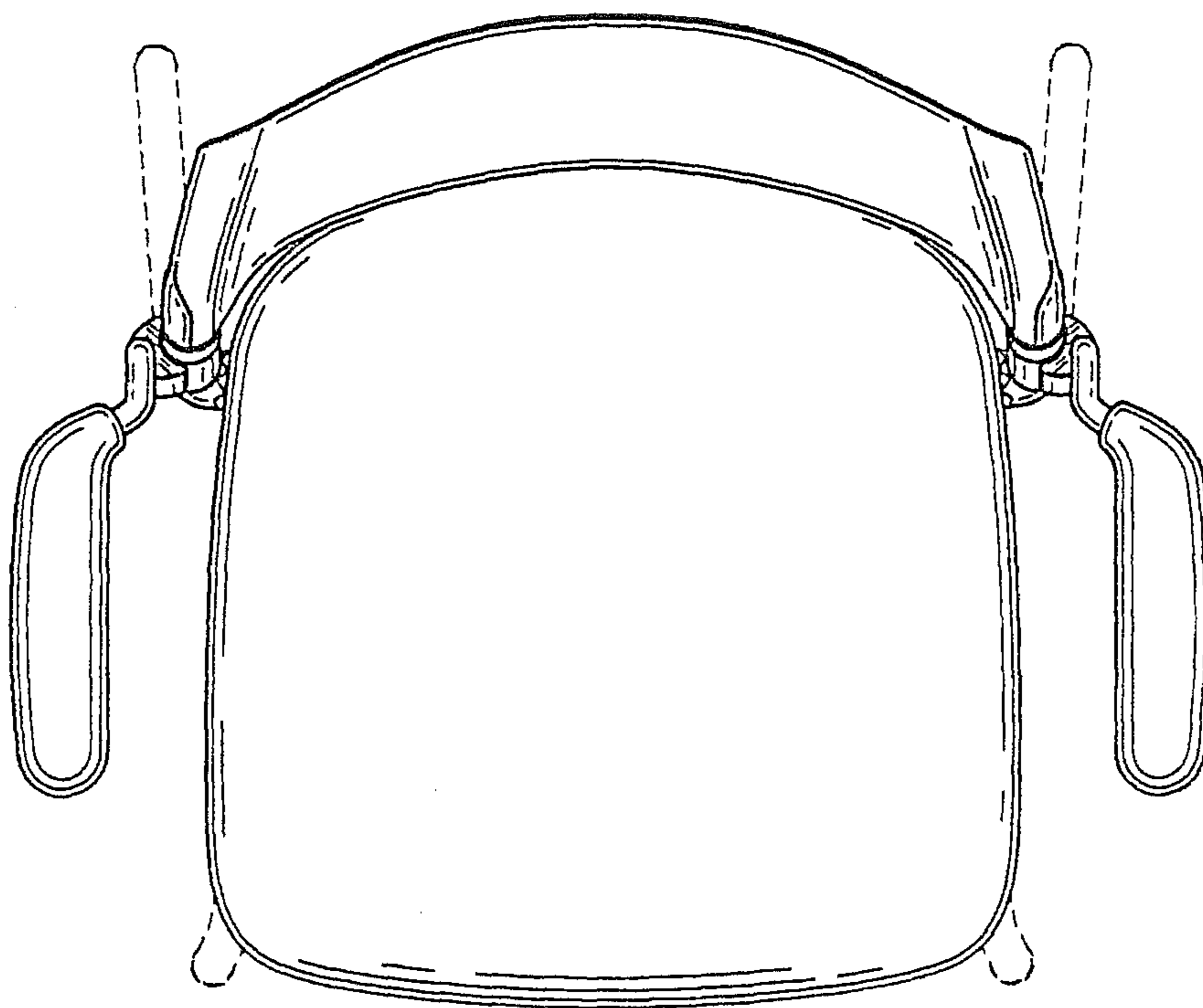


FIG. 3

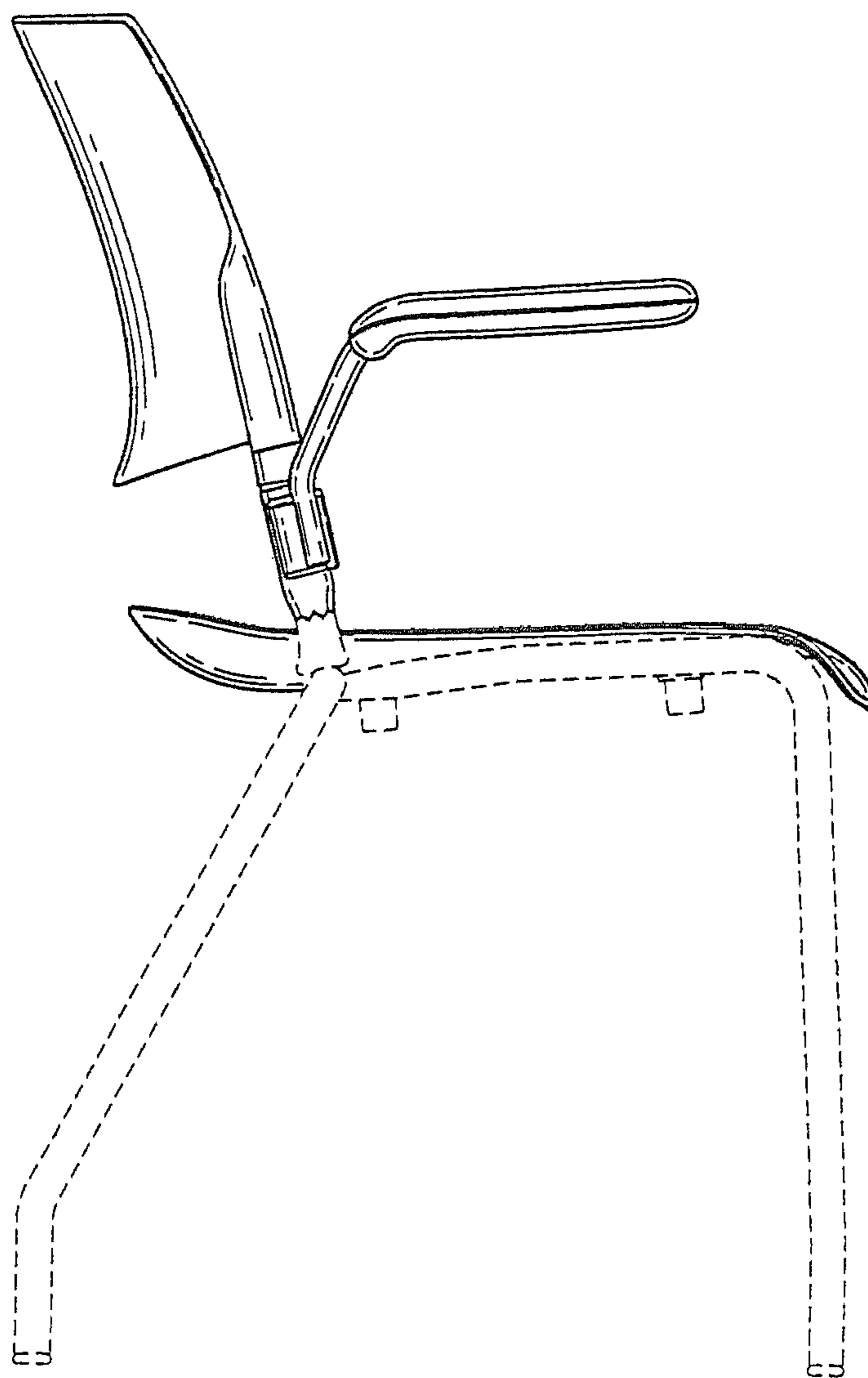


FIG. 4

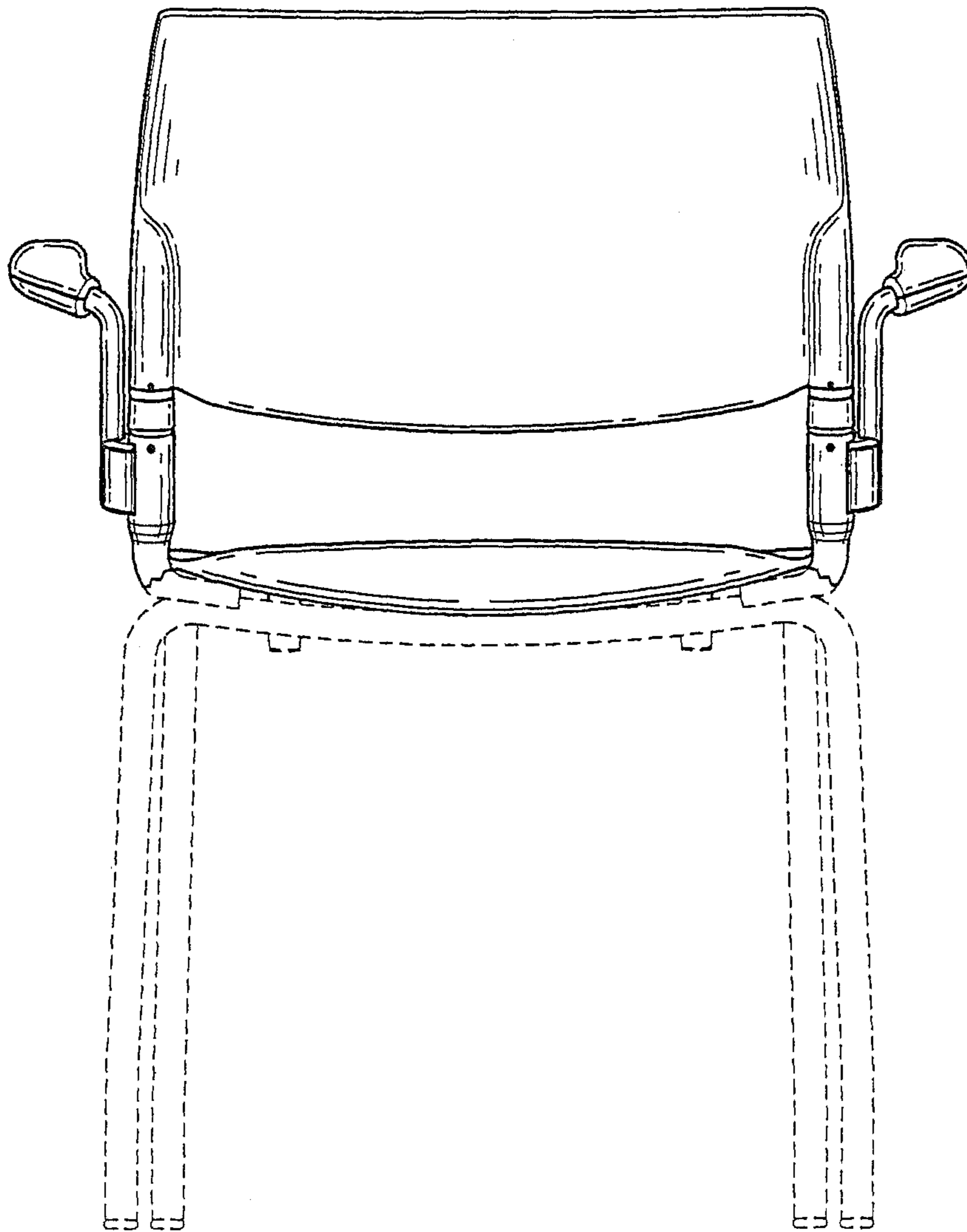


FIG. 5

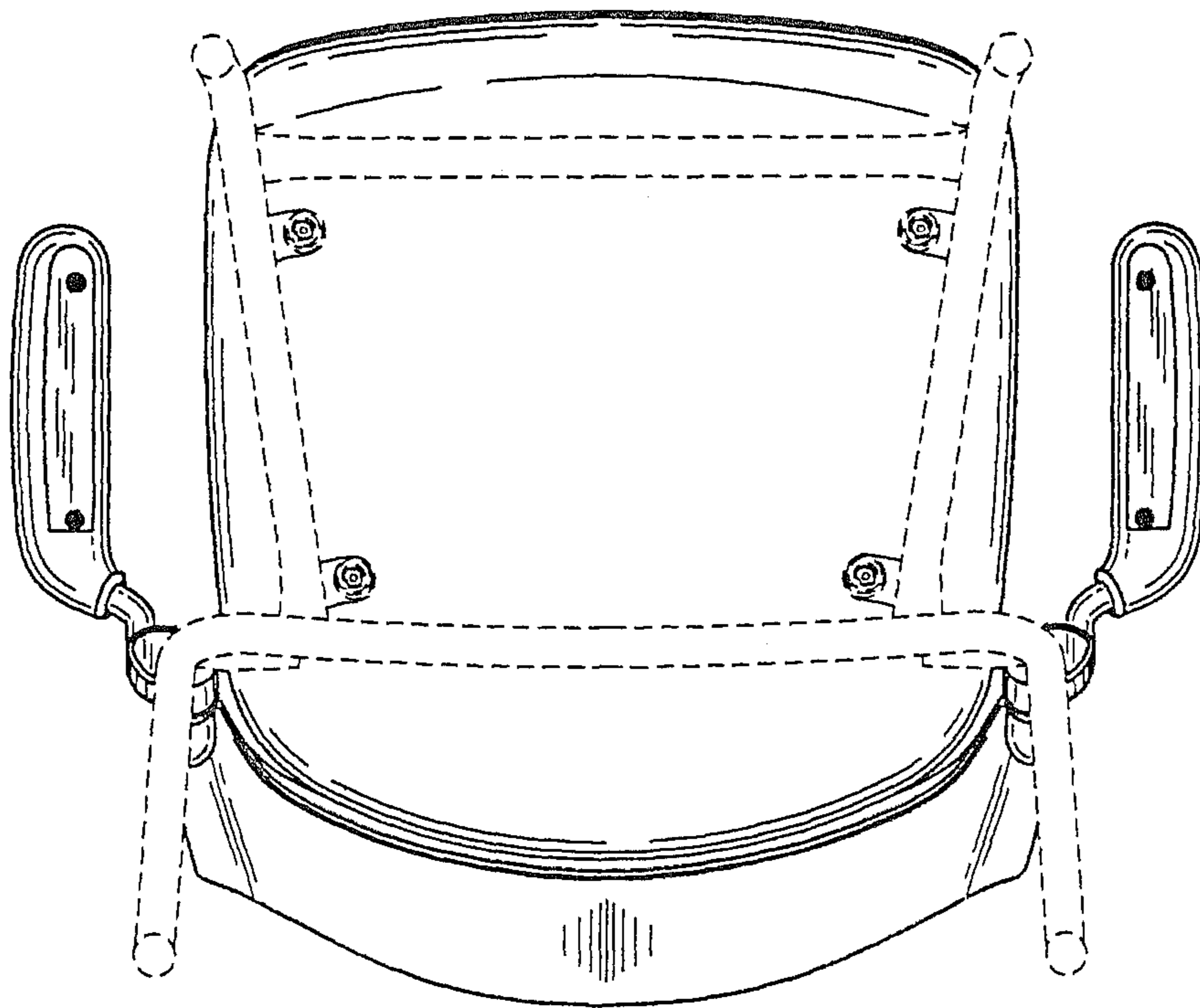


FIG. 6

