



US00D742152S

(12) **United States Design Patent**
Iulita

(10) **Patent No.:** **US D742,152 S**
(45) **Date of Patent:** **** Nov. 3, 2015**

(54) **SLIDING FOOTBOARD FOR GAME STATION SEATS**

(71) Applicant: **STYLGAME S.r.l.**, Spilimbergo (IT)

(72) Inventor: **Luigi Iulita**, Spilimbergo (IT)

(73) Assignee: **STYLGAME S.R.L.**, Spilimbergo (PN)
(IT)

(**) Term: **14 Years**

(21) Appl. No.: **29/458,112**

(22) Filed: **Jun. 17, 2013**

(51) **LOC (10) Cl.** **06-01**

(52) **U.S. Cl.**
USPC **D6/708.21**

(58) **Field of Classification Search**
USPC D6/334–336, 360, 374–380, 708, 716,
D6/716.1–716.4; D21/324–333, 811, 818
CPC A47C 3/12; A47C 4/02; A47C 4/03;
A47C 5/06; A47C 7/62; A47C 9/00; A47C
9/022; A47C 15/004; B66N 2/38; B66N 2/68
See application file for complete search history.

(56) **References Cited**

U.S. PATENT DOCUMENTS

4,768,831 A * 9/1988 Liedberg et al. 297/344.19
5,083,738 A * 1/1992 Infanti 248/500
5,102,192 A * 4/1992 Barile, Sr. 297/257

5,409,296 A * 4/1995 Barile 297/344.1
5,542,748 A * 8/1996 Barile 297/463.1
D384,705 S * 10/1997 Muraki et al. D21/326
5,791,731 A * 8/1998 Infanti 297/217.3
6,227,614 B1 * 5/2001 Rubin 297/172
6,354,660 B1 * 3/2002 Friedrich 297/217.1
D559,328 S * 1/2008 Rasmussen et al. D21/333
7,658,445 B2 * 2/2010 Mittler et al. 297/217.3
7,832,799 B2 * 11/2010 Davis et al. 297/217.7
2008/0136228 A1 * 6/2008 Friedrich 297/217.3

* cited by examiner

Primary Examiner — Ricky Pham

(74) *Attorney, Agent, or Firm* — Birch, Stewart, Kolasch & Birch, LLP

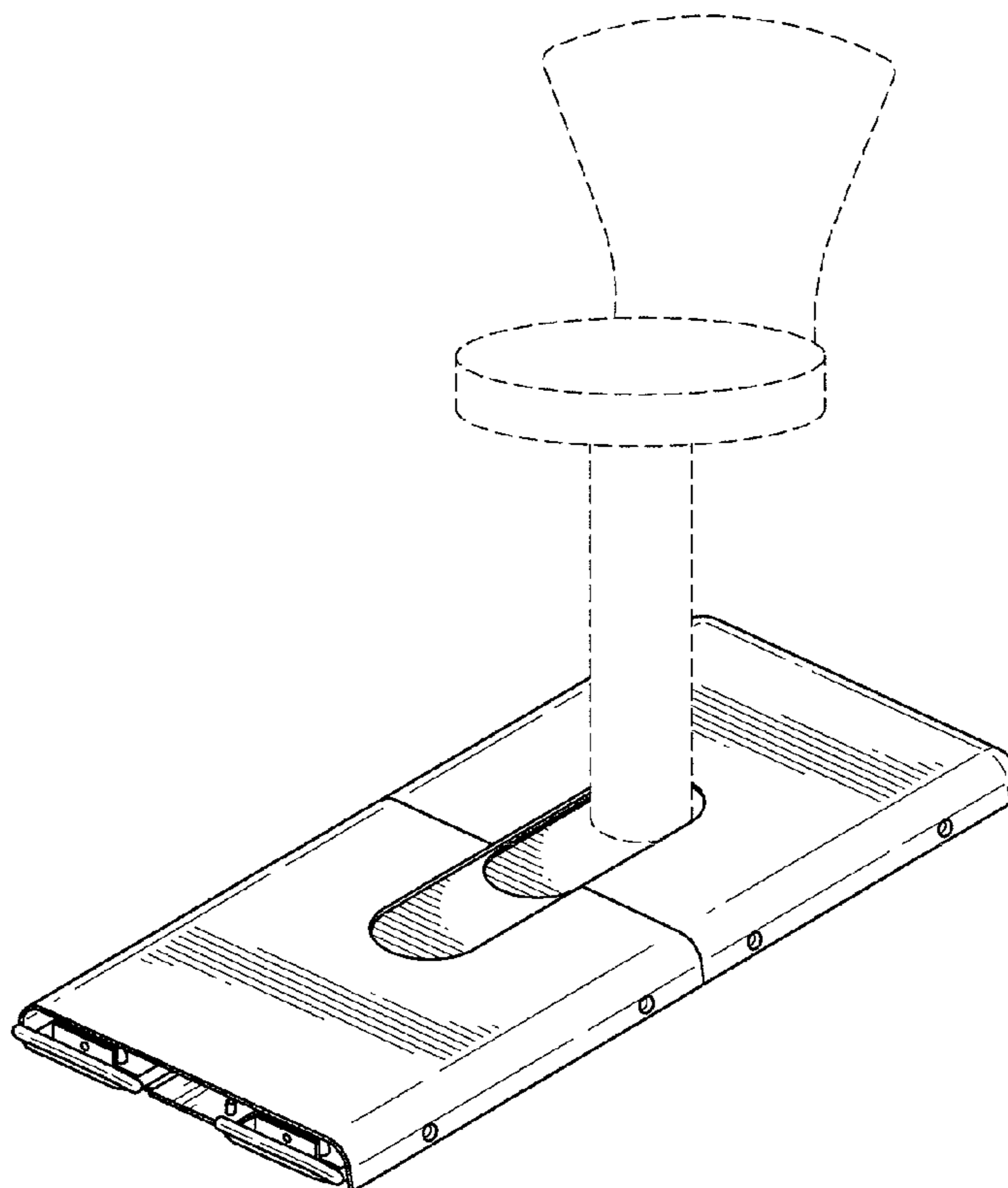
(57) **CLAIM**

The ornamental design for a sliding footboard for game station seats, as shown and described.

DESCRIPTION

FIG. 1 is a perspective view of a sliding footboard showing my new design;
FIG. 2 is a front view thereof;
FIG. 3 is an enlarged left side view thereof;
FIG. 4 is an enlarged rear view thereof;
FIG. 5 is an enlarged right side view thereof; and,
FIG. 6 is an enlarged top view thereof.
The broken lines shown in the drawings are for illustrative purposes only and form no part of the claimed design.

1 Claim, 3 Drawing Sheets



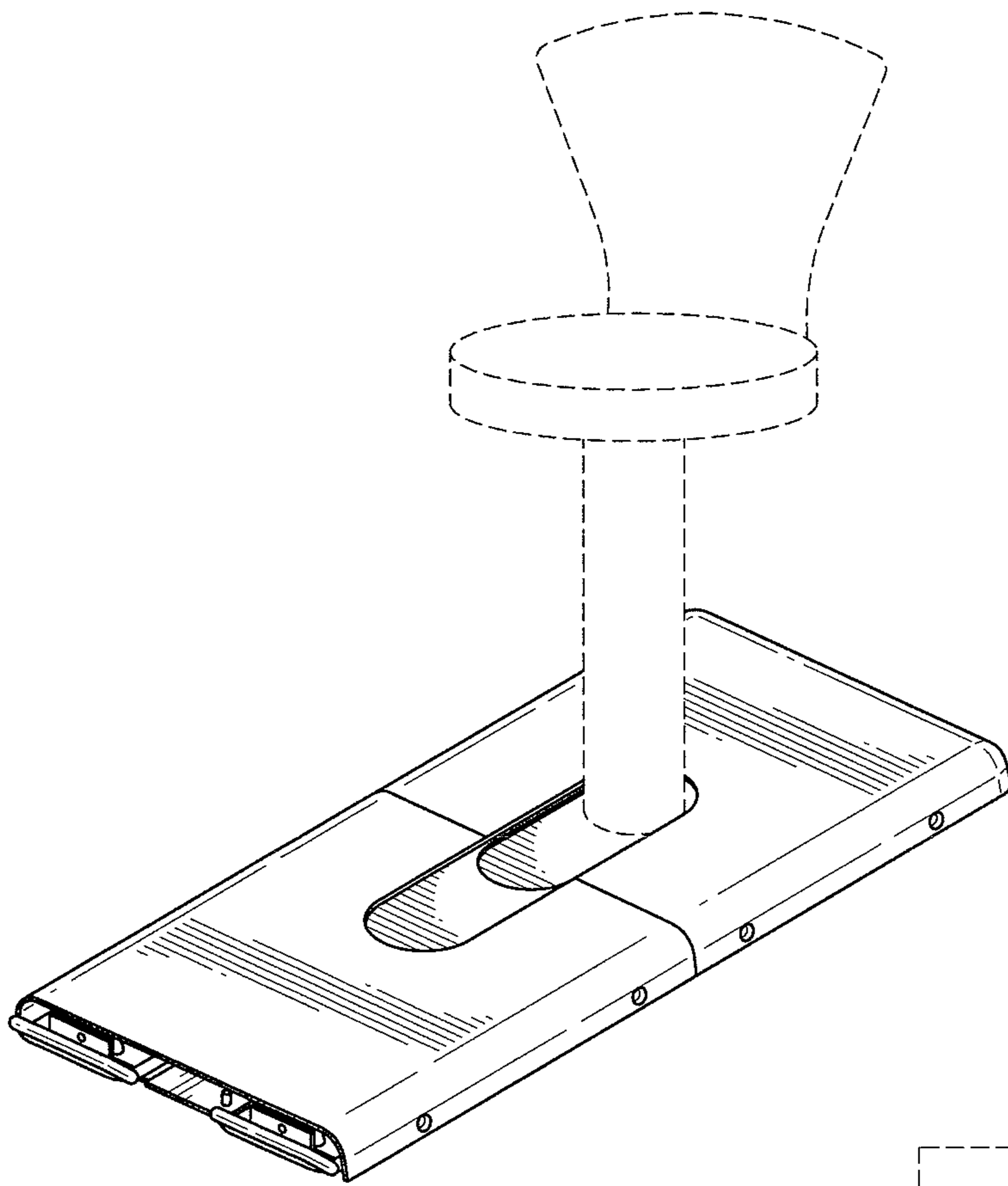


FIG. 1

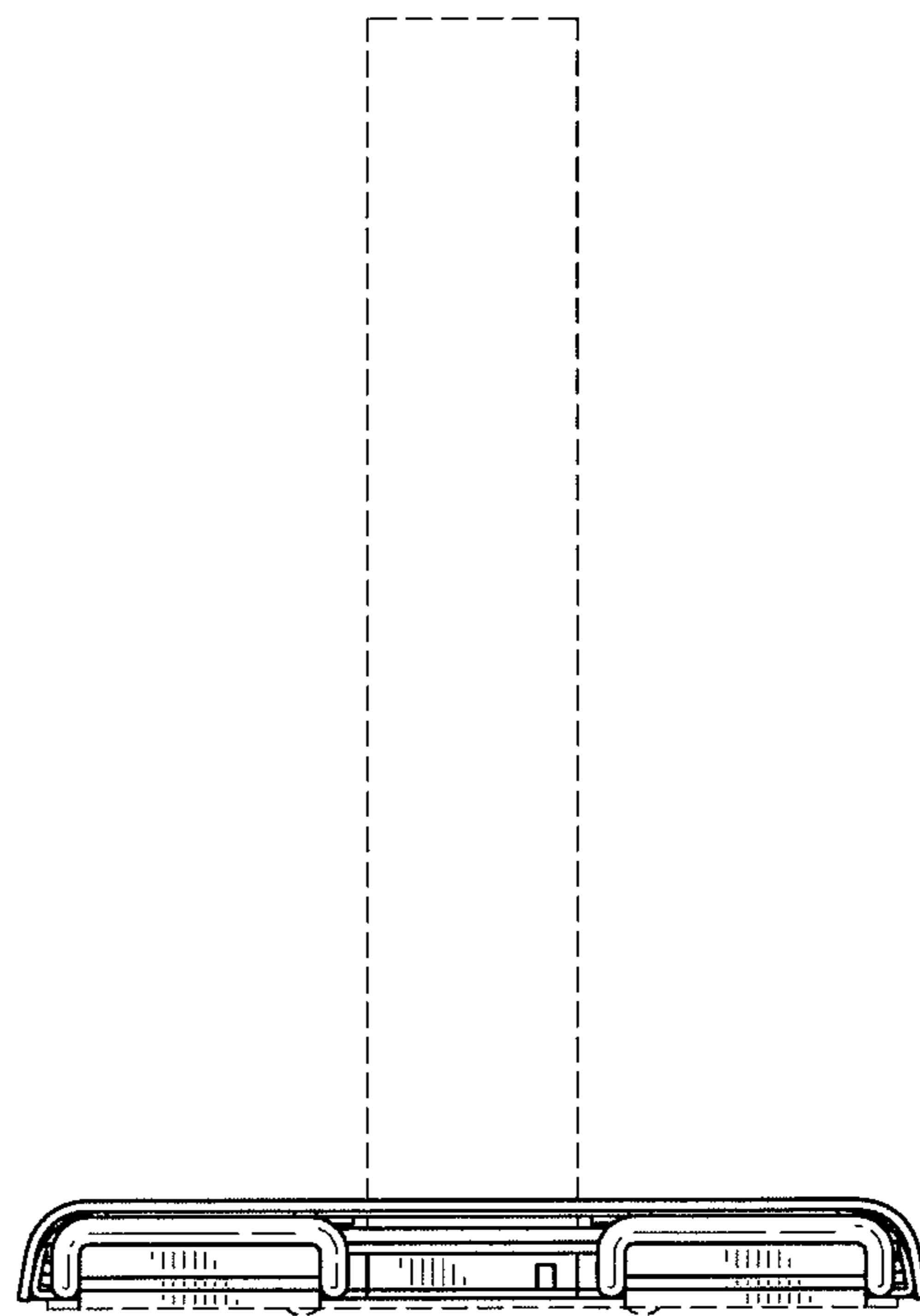


FIG. 2

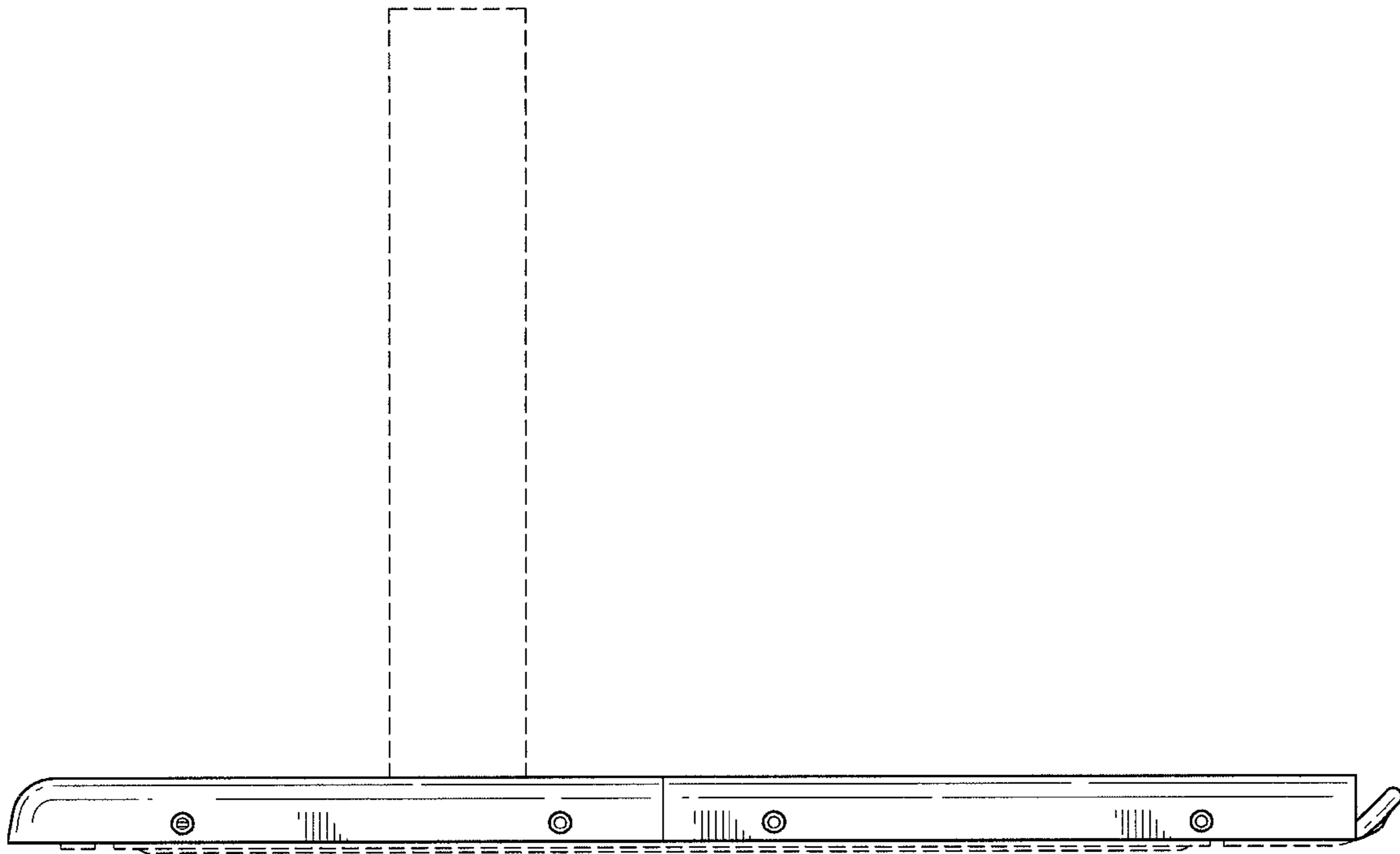


FIG.3

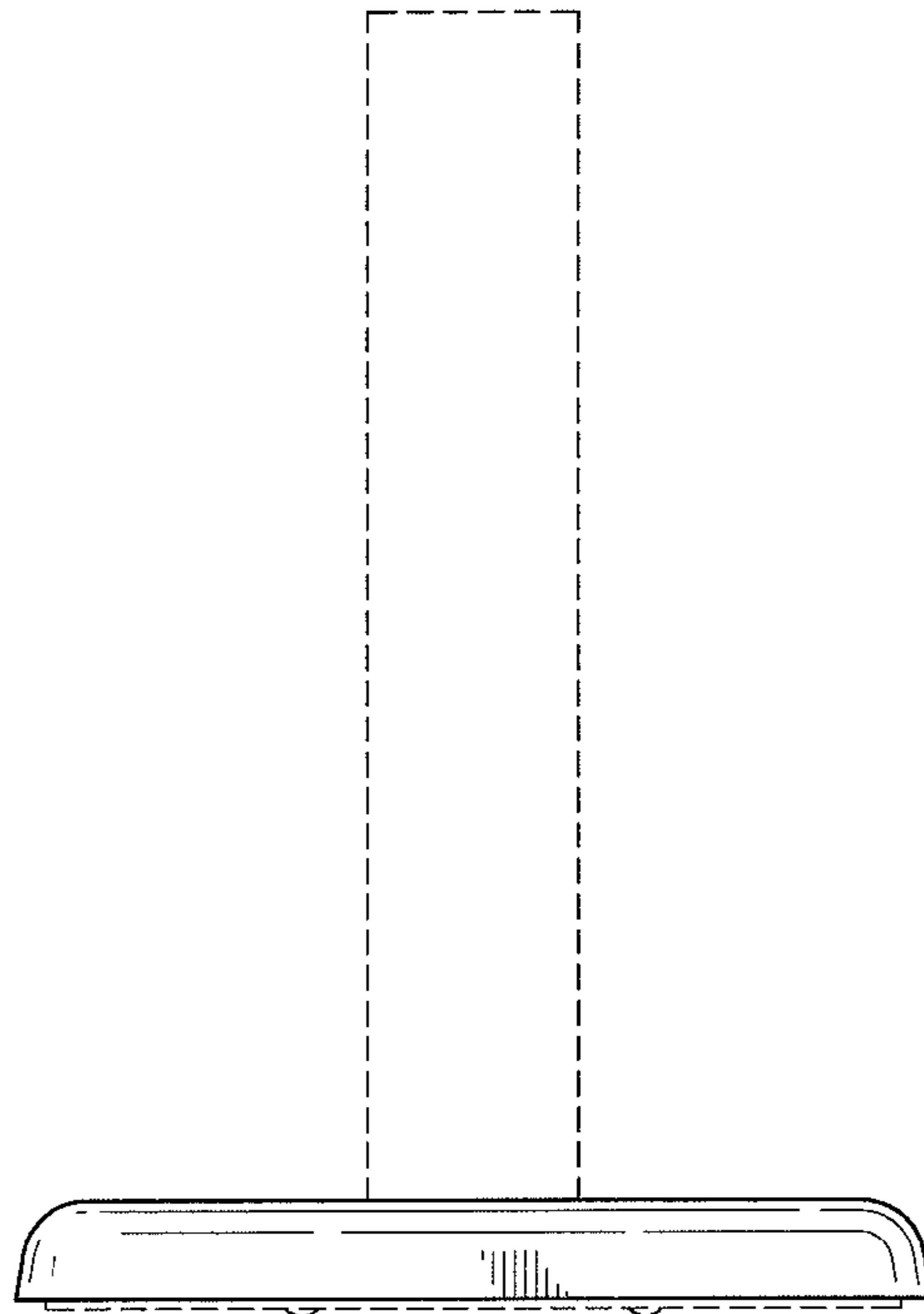


FIG.4

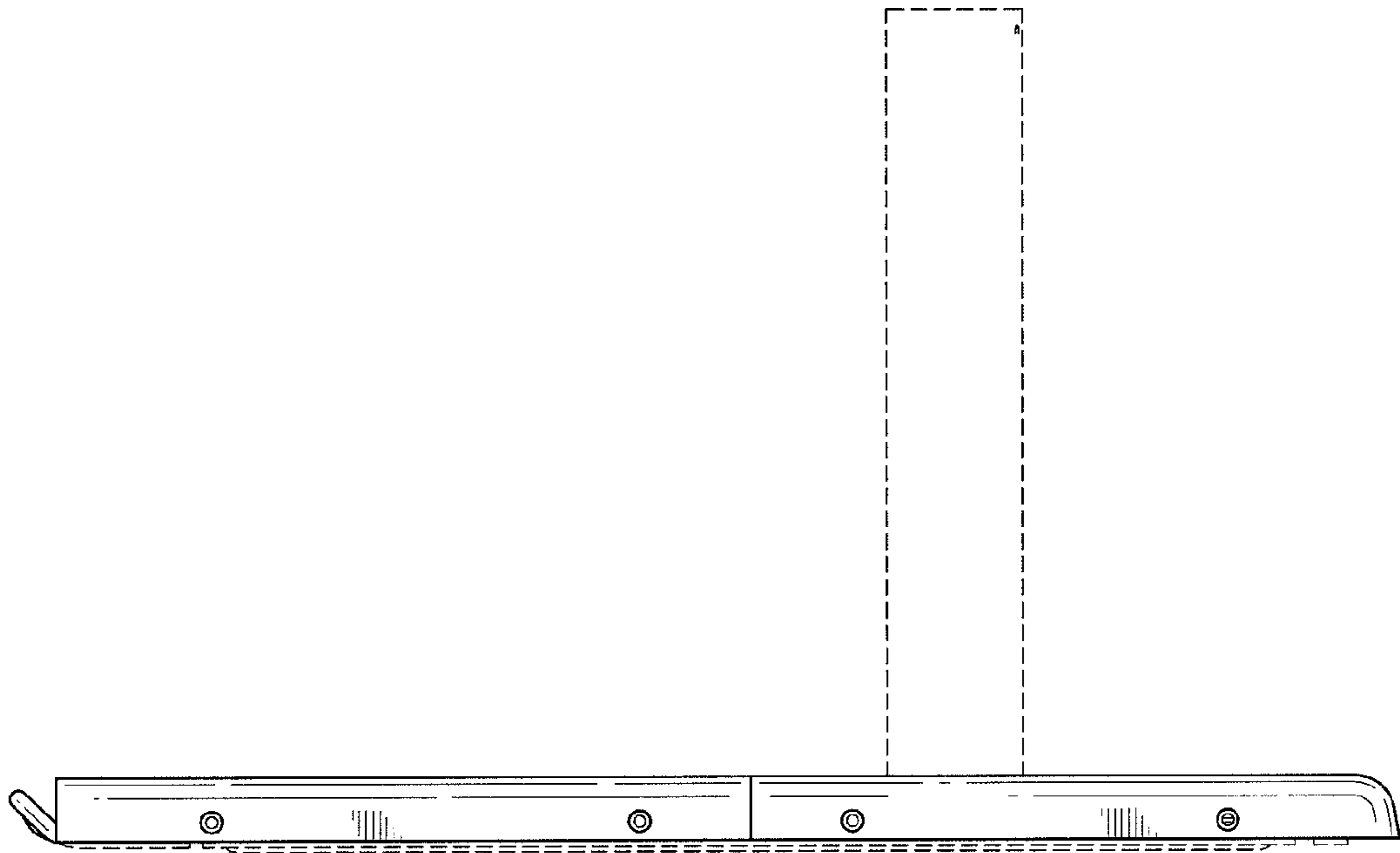


FIG. 5

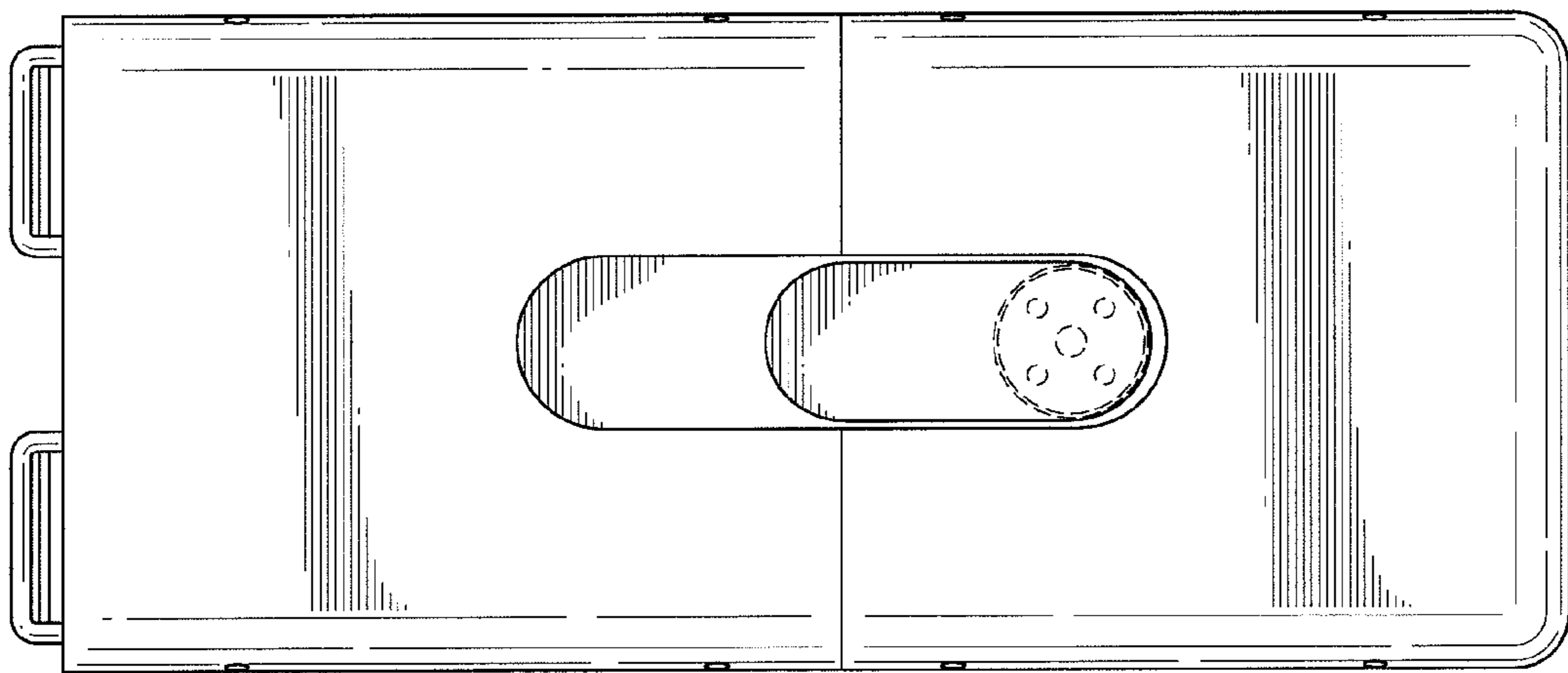


FIG. 6