



US00D742151S

(12) **United States Design Patent**
Baylar

(10) **Patent No.:** **US D742,151 S**
(45) **Date of Patent:** **** Nov. 3, 2015**

(54) **TABLE BASE**
(71) Applicant: **Hudson Furniture, Inc.**, New York, NY
(US)

(72) Inventor: **Barlas Baylar**, New York, NY (US)

(73) Assignee: **Hudson Furniture, Inc.**, New York, NY
(US)

(**) Term: **14 Years**

(21) Appl. No.: **29/486,490**

(22) Filed: **Mar. 31, 2014**

(51) **LOC (10) Cl.** **06-06**

(52) **U.S. Cl.**
USPC **D6/708.1**

(58) **Field of Classification Search**
USPC D6/708, 708.1, 708.14, 688, 688.1
CPC A47B 13/00; A47B 13/02; A47B 13/04;
A47B 2013/026
See application file for complete search history.

(56) **References Cited**

U.S. PATENT DOCUMENTS

D171,607 S * 3/1954 Malec D6/708.1
2,759,780 A * 8/1956 Barker, Jr. A47B 3/12
108/157.17

D196,370 S * 9/1963 Wilson D6/708
D311,840 S * 11/1990 Glendinning D6/708
8,418,982 B1 * 4/2013 Vatus A47B 13/02
108/158.12
D702,967 S * 4/2014 Mathis D21/782

* cited by examiner

Primary Examiner — Janice Seeger

(74) *Attorney, Agent, or Firm* — Baker and Rannells, PA

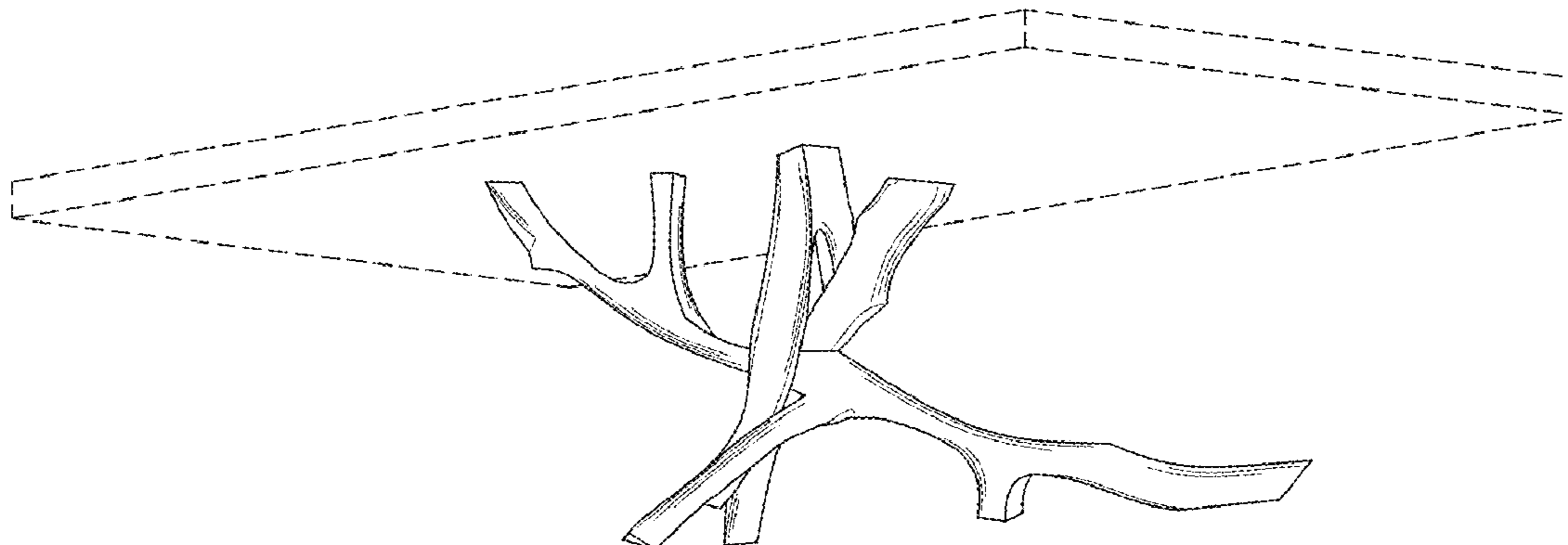
(57) **CLAIM**

The ornamental design for a table base, as shown and described.

DESCRIPTION

FIG. 1 is an isometric view of a table base in accordance with the new design;
FIG. 2 is a front elevational view thereof;
FIG. 3 is a rear elevational view thereof;
FIG. 4 is a right side elevational view thereof;
FIG. 5 is a left side elevational view thereof;
FIG. 6 is a top view thereof; and,
FIG. 7 is a bottom view thereof.
Broken lines in figures are for illustrative purposes only and form no part of the design.

1 Claim, 4 Drawing Sheets



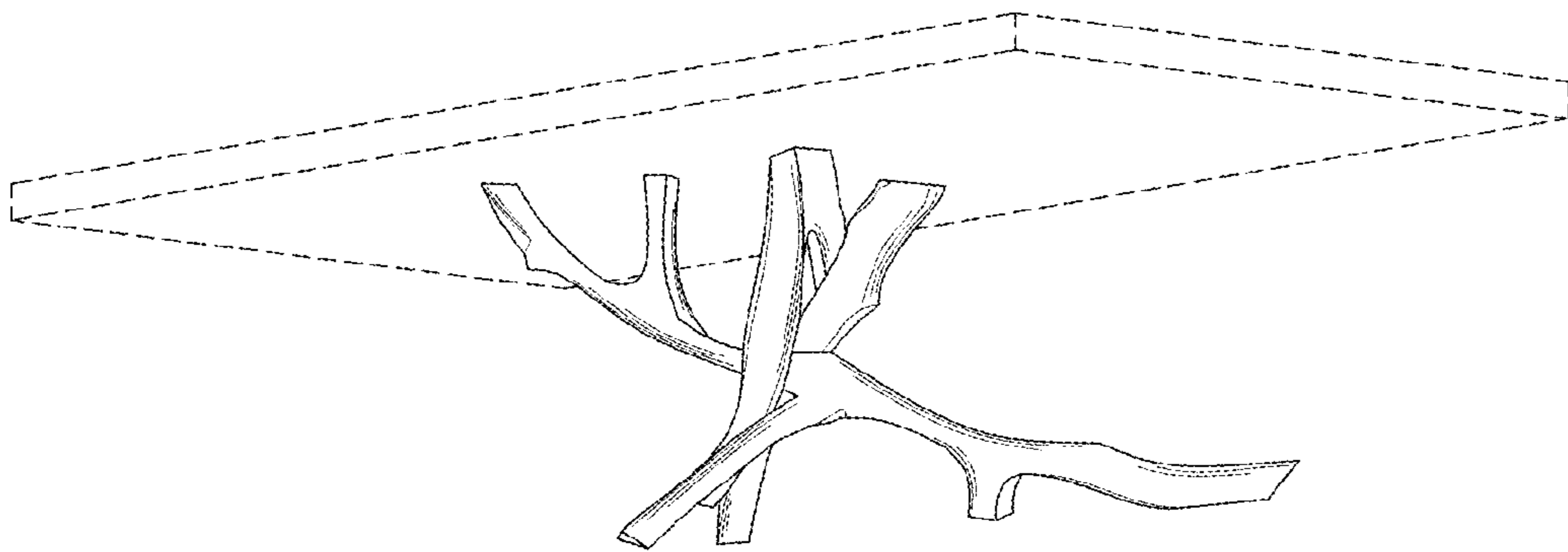


Fig. 1

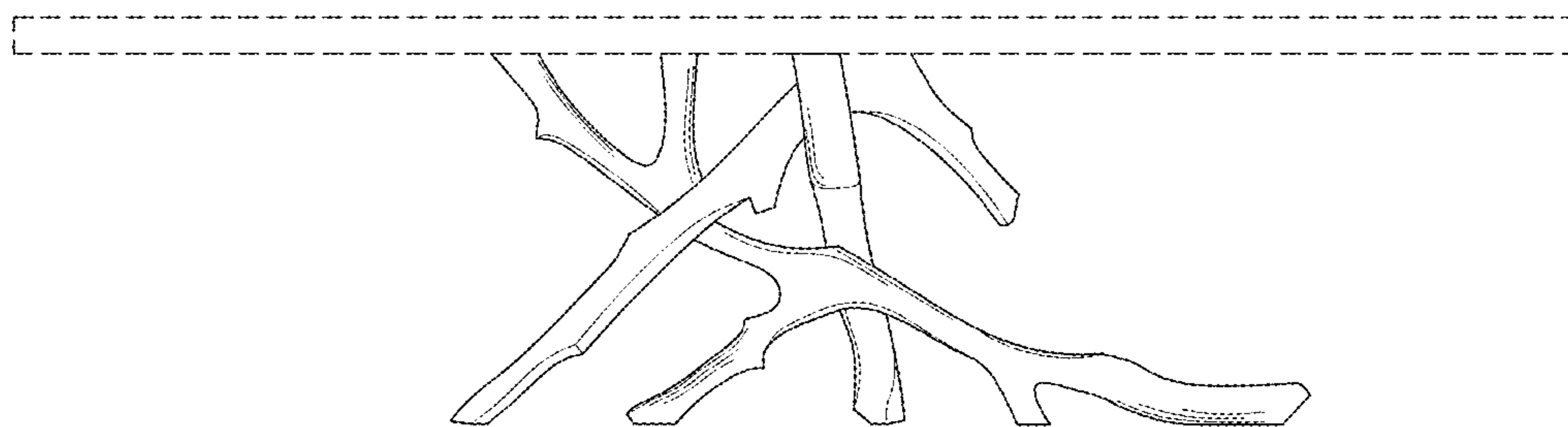


Fig. 2

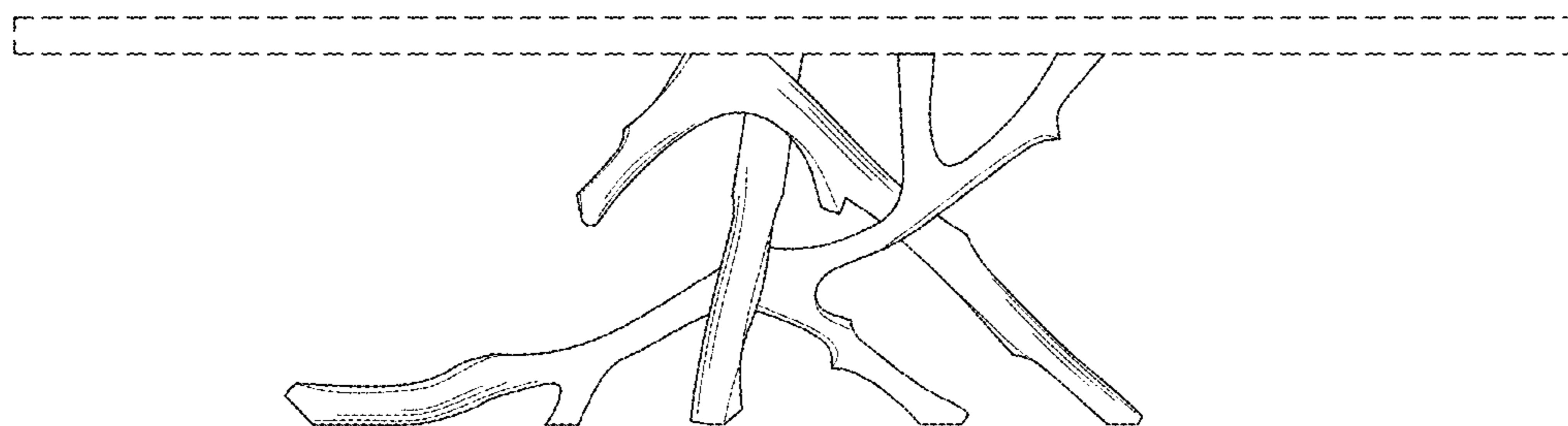


Fig. 3

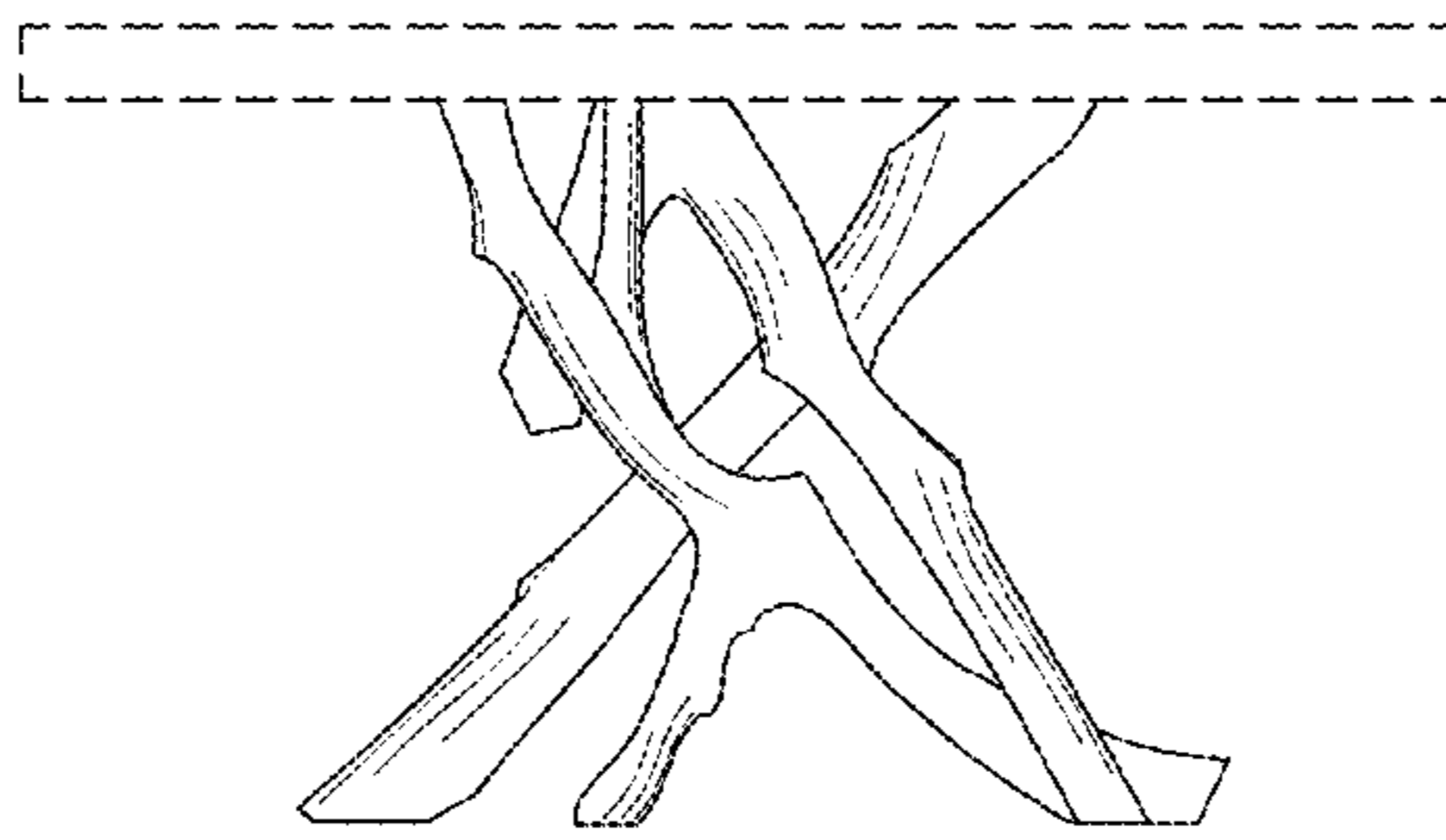


Fig. 4

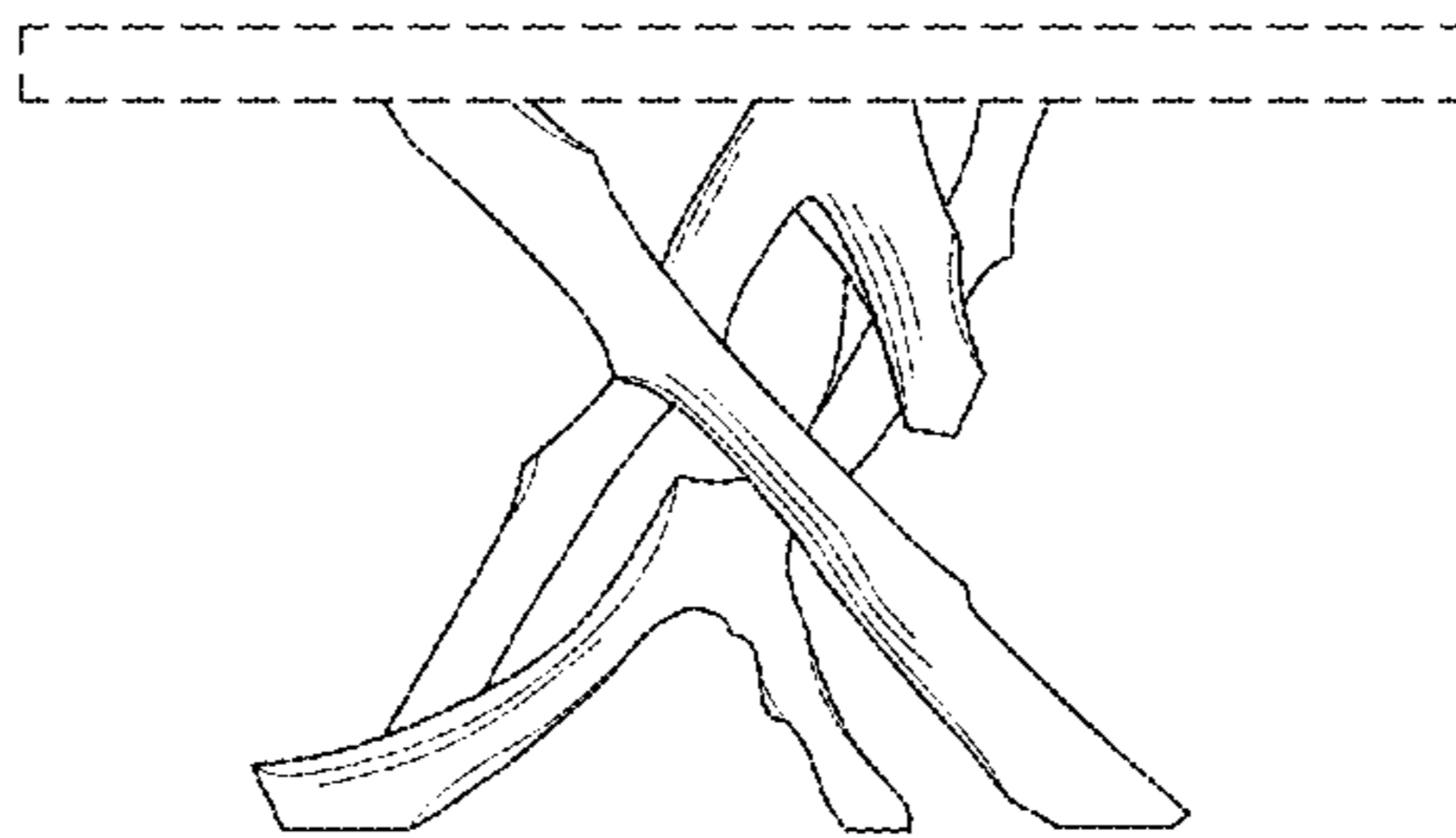


Fig. 5

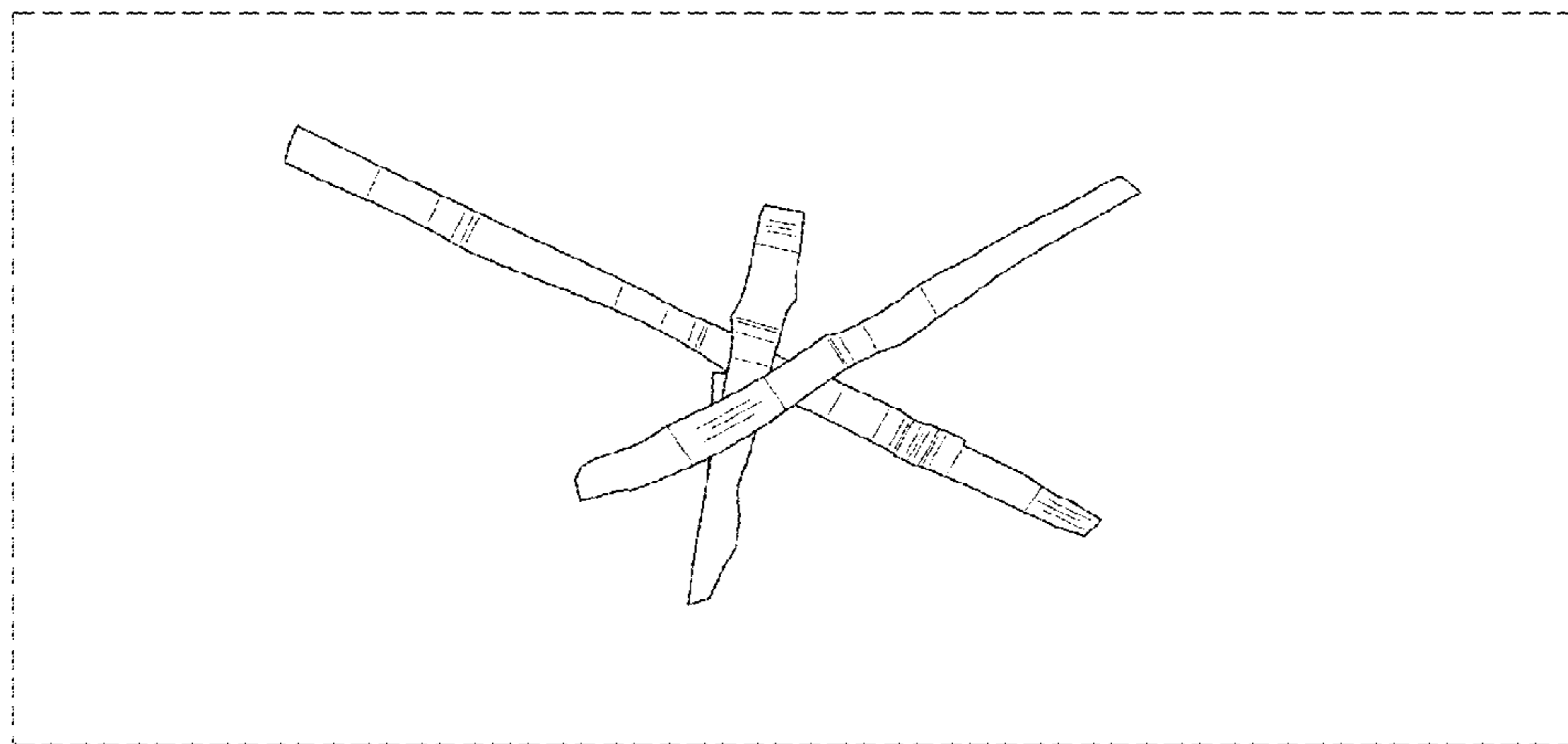


Fig. 6

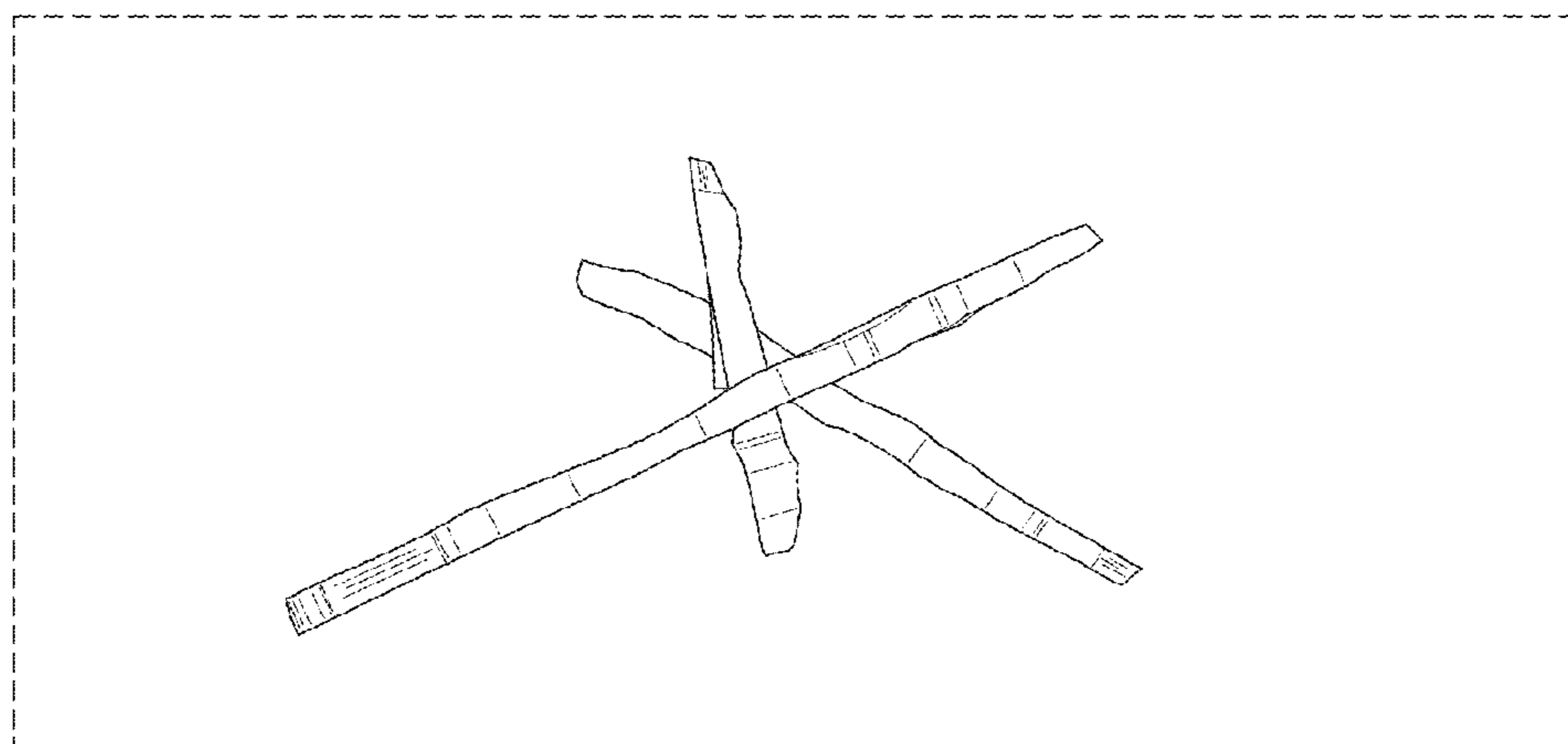


Fig. 7