



US00D742150S

(12) **United States Design Patent**
Fitzgerald et al.

(10) **Patent No.:** **US D742,150 S**
(45) **Date of Patent:** **** Nov. 3, 2015**

(54) **WIRE SHELVING**

(71) Applicant: **Edsal Manufacturing Co., Inc.**,
Chicago, IL (US)

(72) Inventors: **Scott Fitzgerald**, Lowell, IN (US);
David J. Wojtowicz, Orland Park, IL
(US); **Thomas St. Germain**,
Bridgeview, IL (US); **Mitch Liss**,
Northbrook, IL (US); **Al Dunaj**,
Chicago, IL (US)

(73) Assignee: **Edsal Manufacturing Company, Inc.**,
Chicago, IL (US)

(**) Term: **14 Years**

(21) Appl. No.: **29/464,476**

(22) Filed: **Aug. 16, 2013**

Related U.S. Application Data

(60) Continuation-in-part of application No. 29/461,096,
filed on Jul. 18, 2013, which is a division of application
No. 29/365,084, filed on Jul. 2, 2010, now Pat. No.
Des. 686,430.

(51) **LOC (10) Cl.** **06-06**

(52) **U.S. Cl.**
USPC **D6/705.6**

(58) **Field of Classification Search**
USPC D6/396-397, 449, 465, 468, 475,
D6/510-511, 574, 705, 705.6, 707.19;
211/34, 49.1, 85.26, 134; D3/304, 315,
D3/317; 108/91-93, 147.11, 158.11
CPC A47F 1/00; A47B 45/00; A47B 57/00
See application file for complete search history.

(56) **References Cited**

U.S. PATENT DOCUMENTS

1,284,235 A 11/1918 Carlin
D230,797 S 3/1974 Slaboden

4,732,284 A 3/1988 Remmers
D303,596 S 9/1989 Goetz
D366,170 S 1/1996 Temple
6,036,288 A 3/2000 Shih
D423,840 S 5/2000 Carville et al.
D428,742 S 8/2000 Roberts
D444,656 S 7/2001 West
D456,641 S 5/2002 Carrabba
D476,510 S 7/2003 Henry et al.
D510,220 S 10/2005 Sandy
D519,121 S 4/2006 Zamanian
D519,769 S 5/2006 Hoernig

(Continued)

Primary Examiner — Kelley Donnelly

(74) *Attorney, Agent, or Firm* — Wood, Herron & Evans,
LLP

(57) **CLAIM**

The ornamental design for wire shelving, as shown and
described.

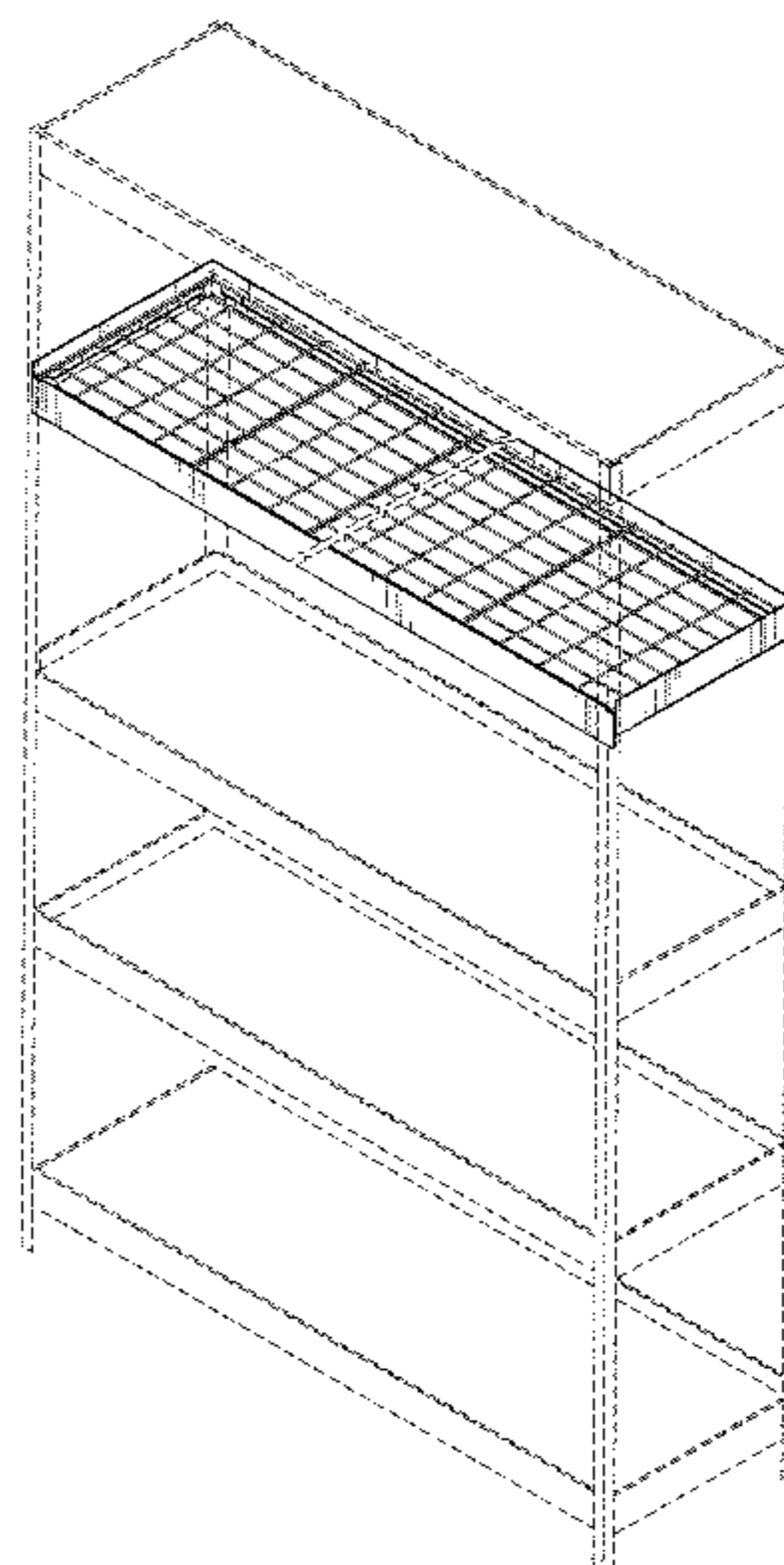
DESCRIPTION

FIG. 1 is an isometric view of a first embodiment of wire
shelving;
FIG. 2 is another isometric view thereof;
FIG. 3 is an elevational front view thereof;
FIG. 4 is a top view thereof;
FIG. 5 is an elevational side view thereof;
FIG. 6 is an isometric view of a second embodiment of wire
shelving;
FIG. 7 is another isometric view thereof;
FIG. 8 is an elevational side view thereof;
FIG. 9 is a top view thereof; and,
FIG. 10 is an end view thereof.

The dotted break lines illustrated in FIGS. 1 through 4 and 6
through 9 are not part of the claimed design and represent that
no particular length is claimed.

The broken lines are for the purpose of illustrating the envi-
ronment of the article only and form no part of the claimed
design.

1 Claim, 6 Drawing Sheets



(56)

References Cited

U.S. PATENT DOCUMENTS

D566,556 S 4/2008 Baker et al.
 D569,139 S 5/2008 Browne et al.
 D597,353 S 8/2009 Liss et al.
 D597,354 S * 8/2009 Liss D6/705.6
 D603,626 S 11/2009 Weatherly
 D603,634 S 11/2009 Rotolo
 D627,180 S * 11/2010 McCombs et al. D6/705.6
 D632,034 S 2/2011 Ha et al.
 7,886,673 B2 2/2011 Korte et al.
 D637,427 S * 5/2011 Troyner et al. D6/705.6
 8,025,163 B2 9/2011 McAllister et al.
 D649,809 S 12/2011 Keshishyan

D683,983 S * 6/2013 Troyner et al. D6/675.2
 D686,430 S * 7/2013 Fitzgerald et al. D6/707.19
 D693,668 S * 11/2013 Wojtowicz et al. D8/394
 D698,589 S * 2/2014 Troyner et al. D6/705.6
 D701,405 S * 3/2014 Pace et al. D6/675.2
 D708,051 S * 7/2014 Wojtowicz et al. D8/394
 D710,633 S * 8/2014 Mudrick D6/675.5
 D713,187 S * 9/2014 Troyner et al. D6/705.5
 2002/0170870 A1 * 11/2002 Callis 211/119.003
 2003/0146177 A1 * 8/2003 Miller et al. 211/59.2
 2005/0103734 A1 5/2005 Saltzberg et al.
 2008/0169256 A1 * 7/2008 Shetler 211/153
 2012/0000871 A1 1/2012 Troyner et al.
 2012/0000873 A1 1/2012 Fitzgerald et al.

* cited by examiner

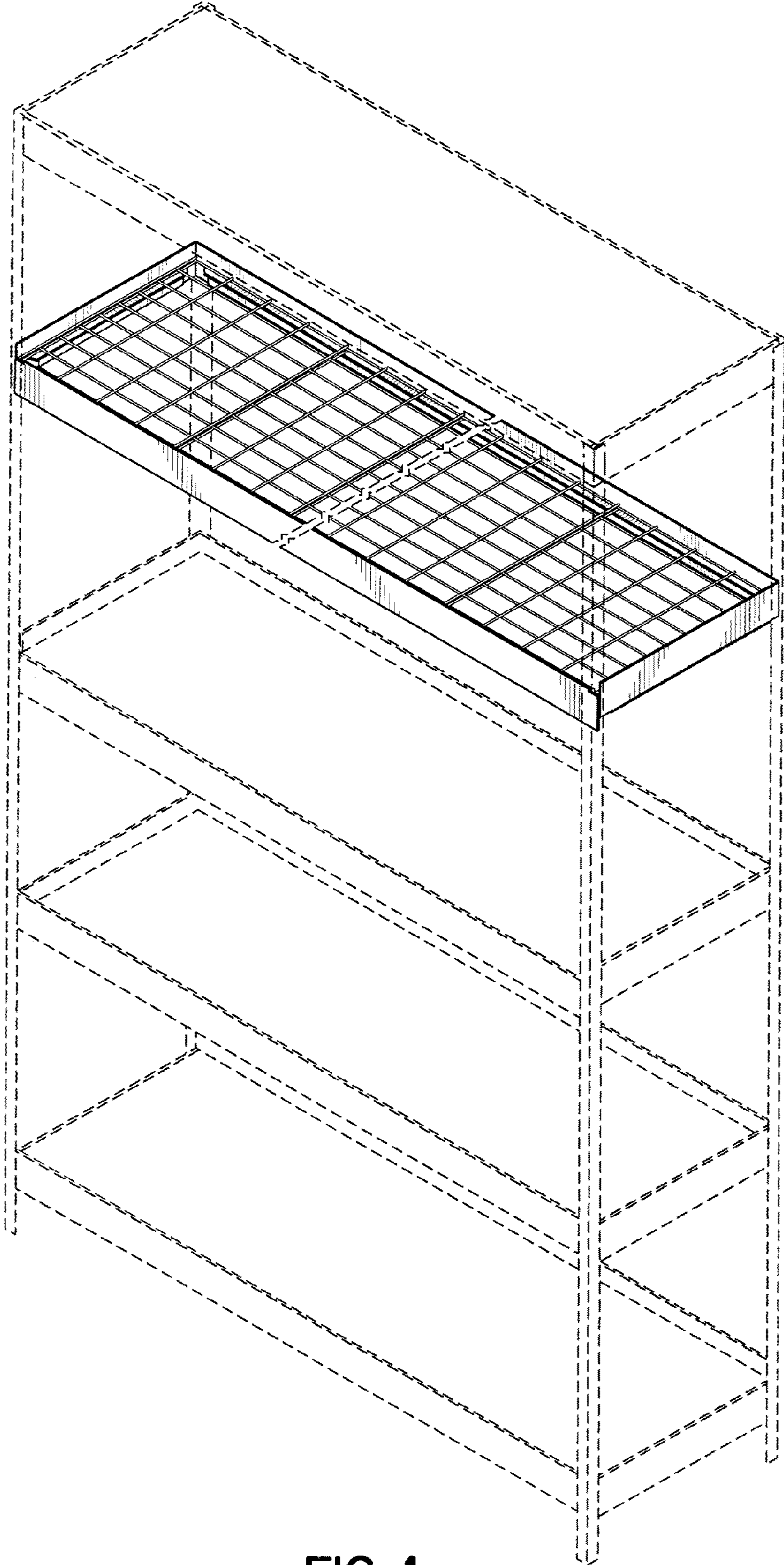


FIG. 1

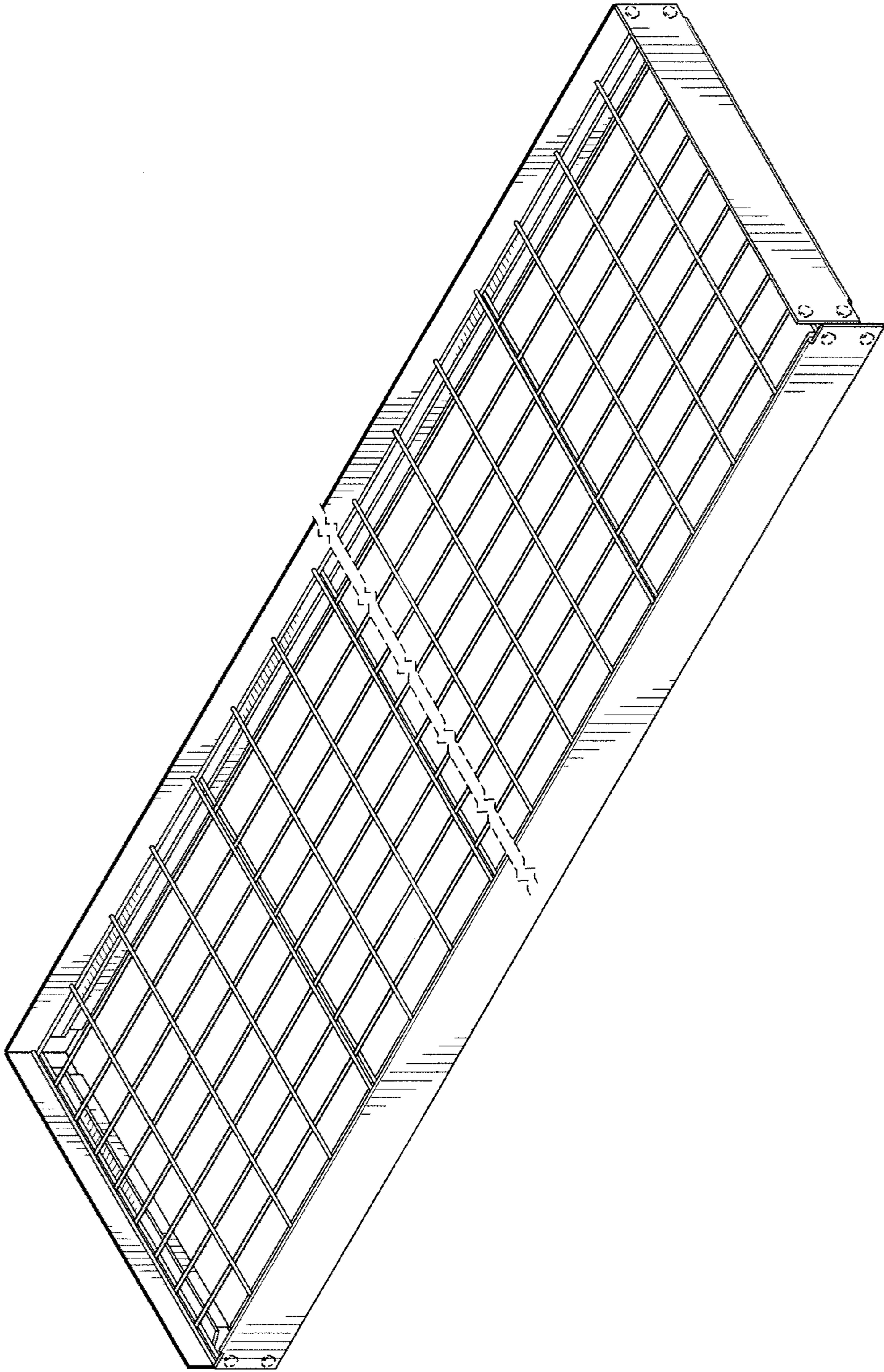


FIG. 2

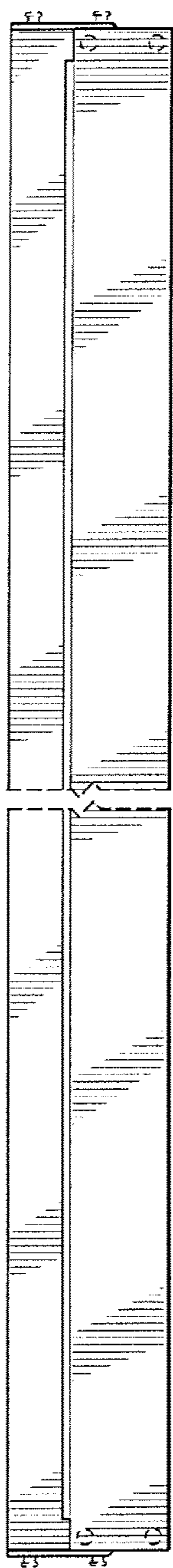


FIG. 3

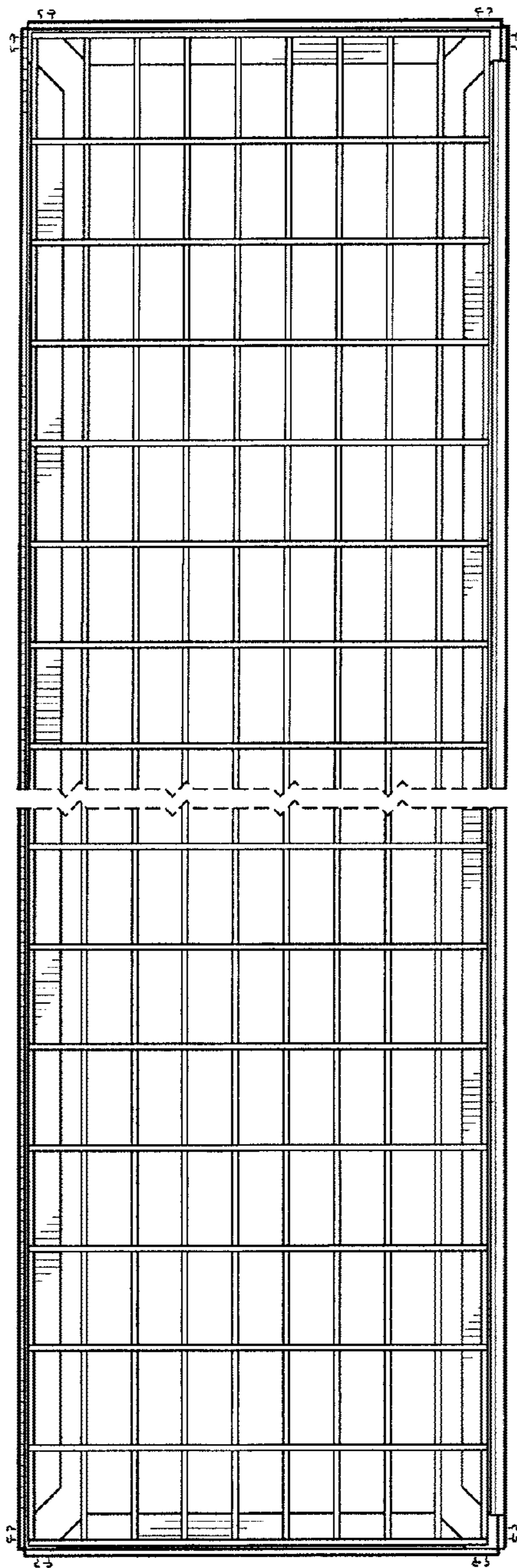


FIG. 4

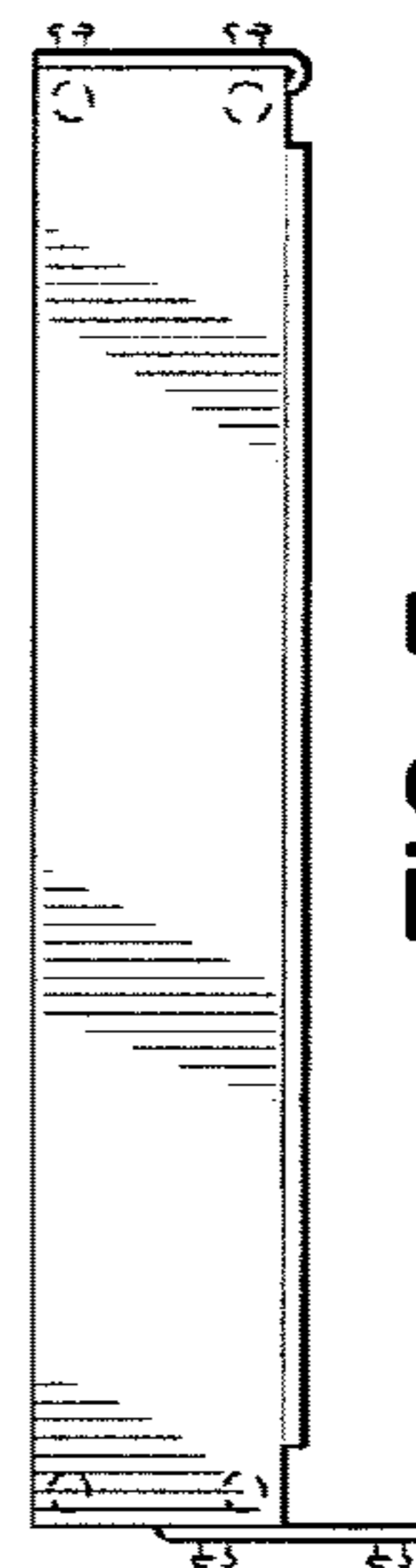


FIG. 5

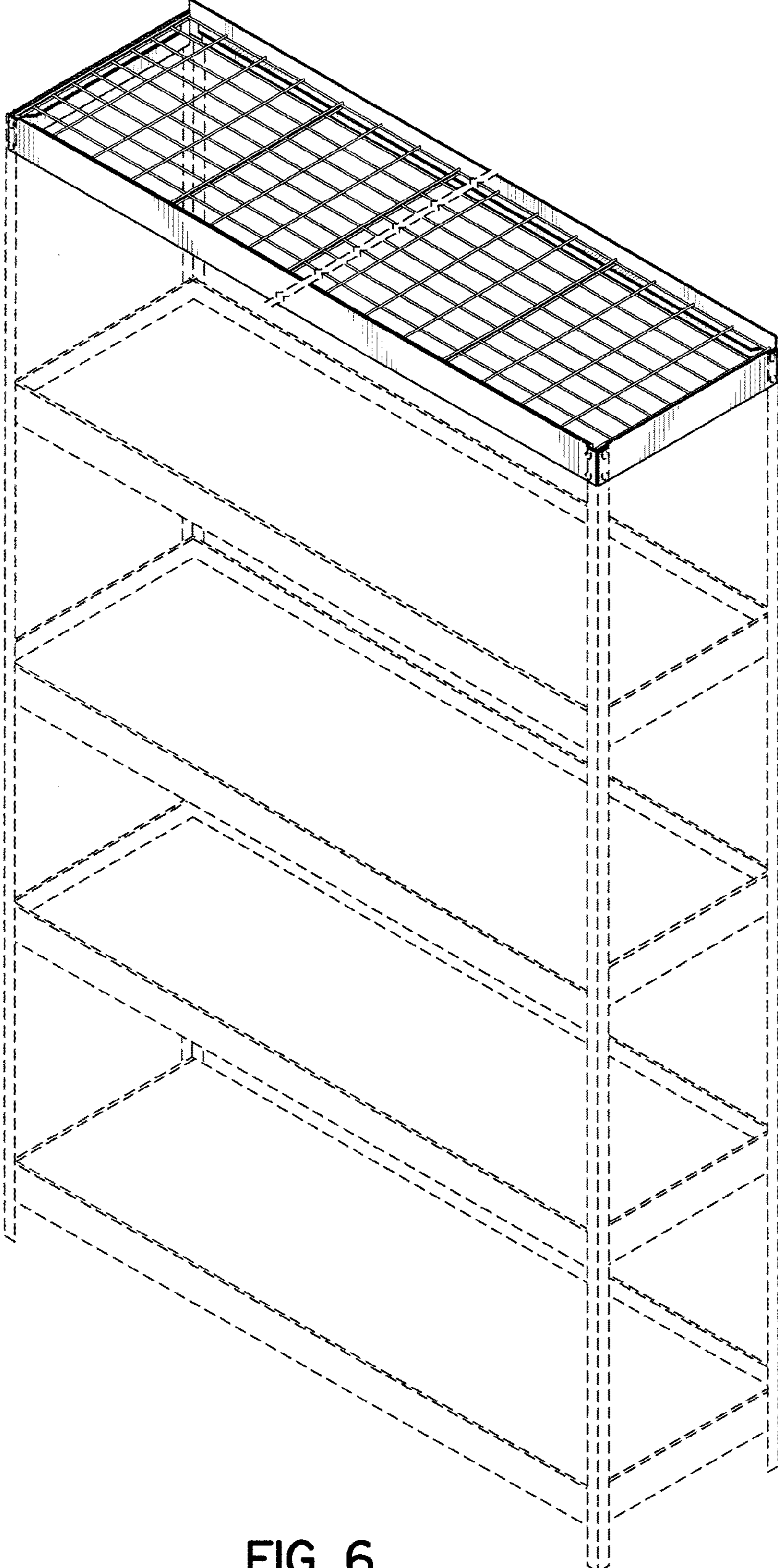


FIG. 6

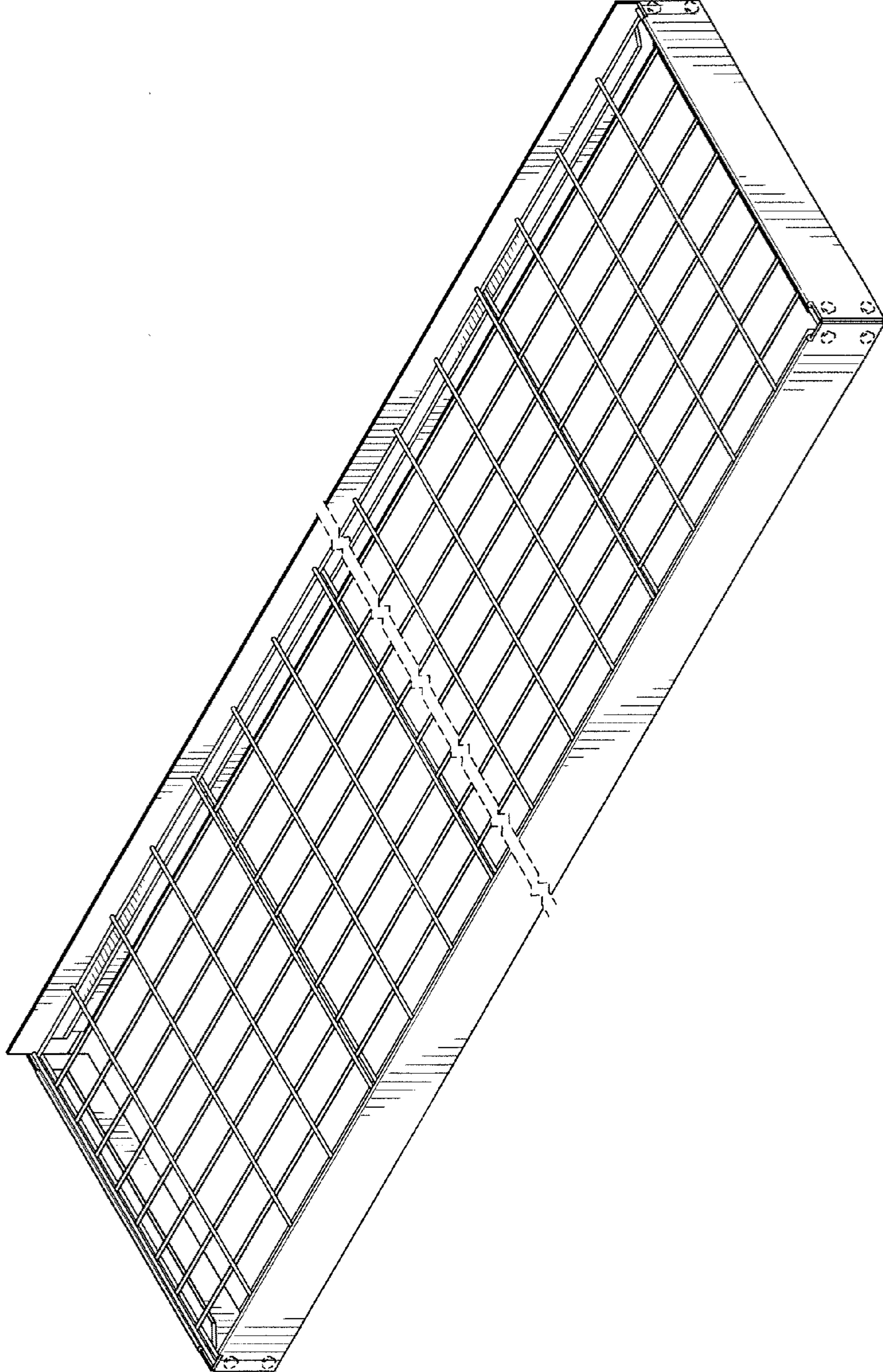


FIG. 7

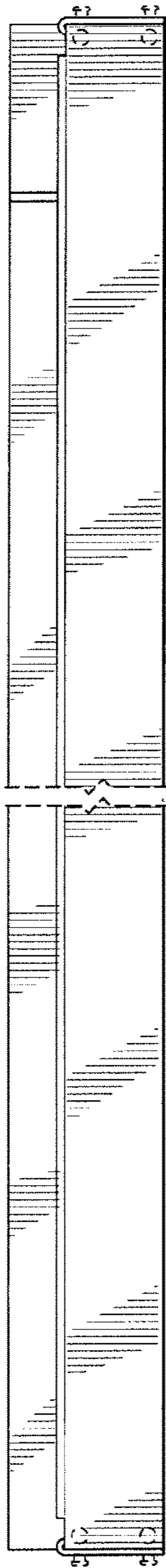


FIG. 8

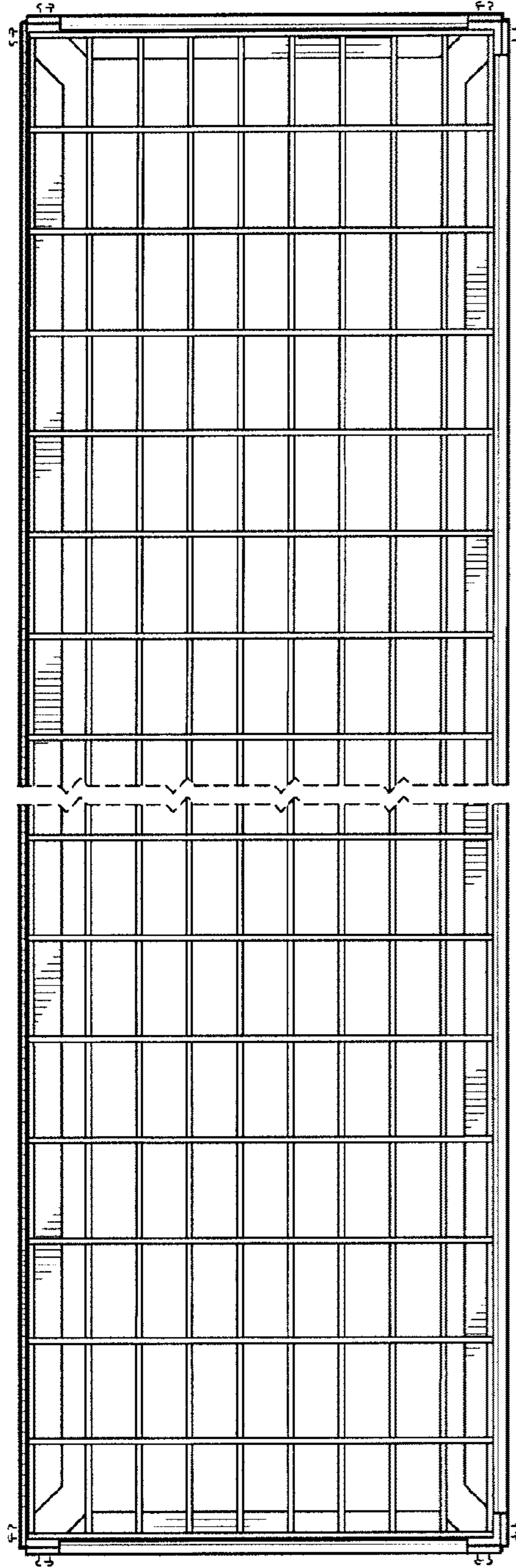


FIG. 9



FIG. 10