



US00D742148S

(12) **United States Design Patent**
Fritz

(10) **Patent No.:** **US D742,148 S**
(45) **Date of Patent:** **** Nov. 3, 2015**

(54) **TABLE**

- (71) Applicant: **Becker Designed, Inc.**, Chantilly, VA (US)
- (72) Inventor: **Daniel W. Fritz**, Oakton, VA (US)
- (73) Assignee: **Becker Designed, Inc.**, Chantilly, VA (US)
- (**) Term: **14 Years**
- (21) Appl. No.: **29/481,810**
- (22) Filed: **Feb. 11, 2014**
- (51) **LOC (10) Cl.** **06-03**
- (52) **U.S. Cl.**
USPC **D6/696.7**
- (58) **Field of Classification Search**
USPC D6/696, 696.3, 696.4, 696.7
CPC A47B 7/00; A47B 2021/11; A47B 13/00;
A47B 13/02; A47B 13/04; A47B 13/10;
A47B 2200/0003; A47B 13/12
See application file for complete search history.

(56) **References Cited**

U.S. PATENT DOCUMENTS

- D175,651 S * 9/1955 Schwartz D6/474
- 3,106,901 A * 10/1963 Locek 108/110
- D433,254 S * 11/2000 Muller D6/696.7
- D442,397 S * 5/2001 Brown et al. D6/650
- D530,546 S * 10/2006 Muller D6/696.4

* cited by examiner

Primary Examiner — Janice Seeger
(74) *Attorney, Agent, or Firm* — Design IP

(57) **CLAIM**
The ornamental design for a table, as shown and described.

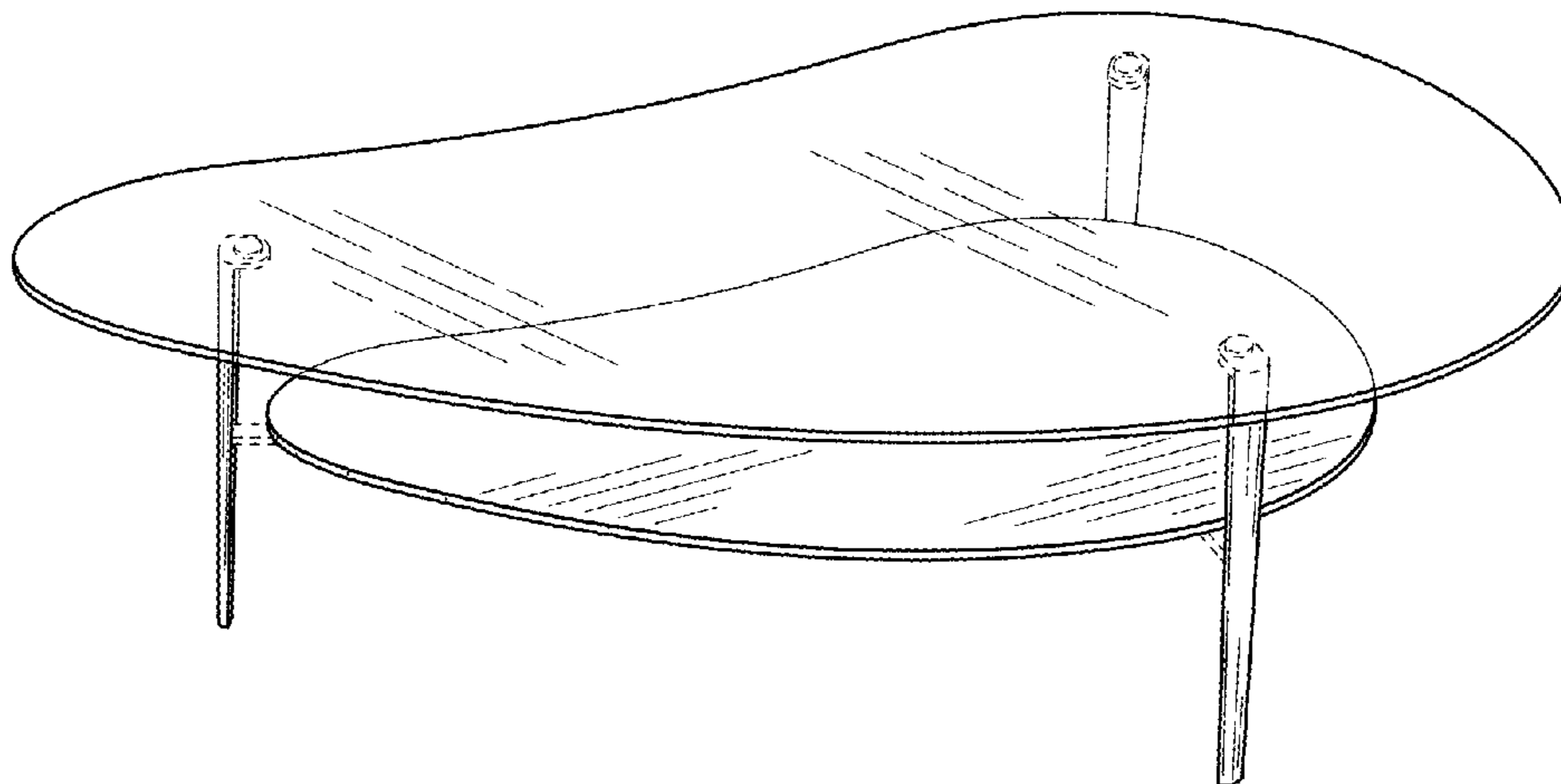
DESCRIPTION

FIG. 1 is a front perspective view of a first embodiment of a table showing my new design;

FIG. 2 is a front view thereof;
 FIG. 3 is a rear view thereof;
 FIG. 4 is a right side view thereof;
 FIG. 5 is a left side view thereof;
 FIG. 6 is a top view thereof;
 FIG. 7 is a front perspective view of a second embodiment of a table showing my new design;
 FIG. 8 is a front view thereof;
 FIG. 9 is a rear view thereof;
 FIG. 10 is a right side view thereof;
 FIG. 11 is a left side view thereof;
 FIG. 12 is a top view thereof;
 FIG. 13 is a front perspective view of a third embodiment of a table showing my new design;
 FIG. 14 is a front view thereof;
 FIG. 15 is a rear view thereof;
 FIG. 16 is a left side view thereof;
 FIG. 17 is a right side view thereof;
 FIG. 18 is a top view thereof;
 FIG. 19 is a front perspective view of a fourth embodiment of a table showing my new design;
 FIG. 20 is a rear view thereof;
 FIG. 21 is a front view thereof;
 FIG. 22 is a right side view thereof;
 FIG. 23 is a left side view thereof; and,
 FIG. 24 is a top view thereof.

The broken lines shown in FIGS. 1-24 illustrate portions of the table that form no part of the claimed design. In the embodiments shown in FIGS. 1-6 and 7-12, the shading on the upper shelf is intended to indicate a transparent or translucent material, and the shading on the lower shelf is intended to indicate an opaque material. In the embodiments shown in FIGS. 13-18 and 19-24, the shading on both the upper shelf and the lower shelf is intended to indicate a transparent or translucent material. The bottom views are omitted and form no part of the claimed design.

1 Claim, 14 Drawing Sheets



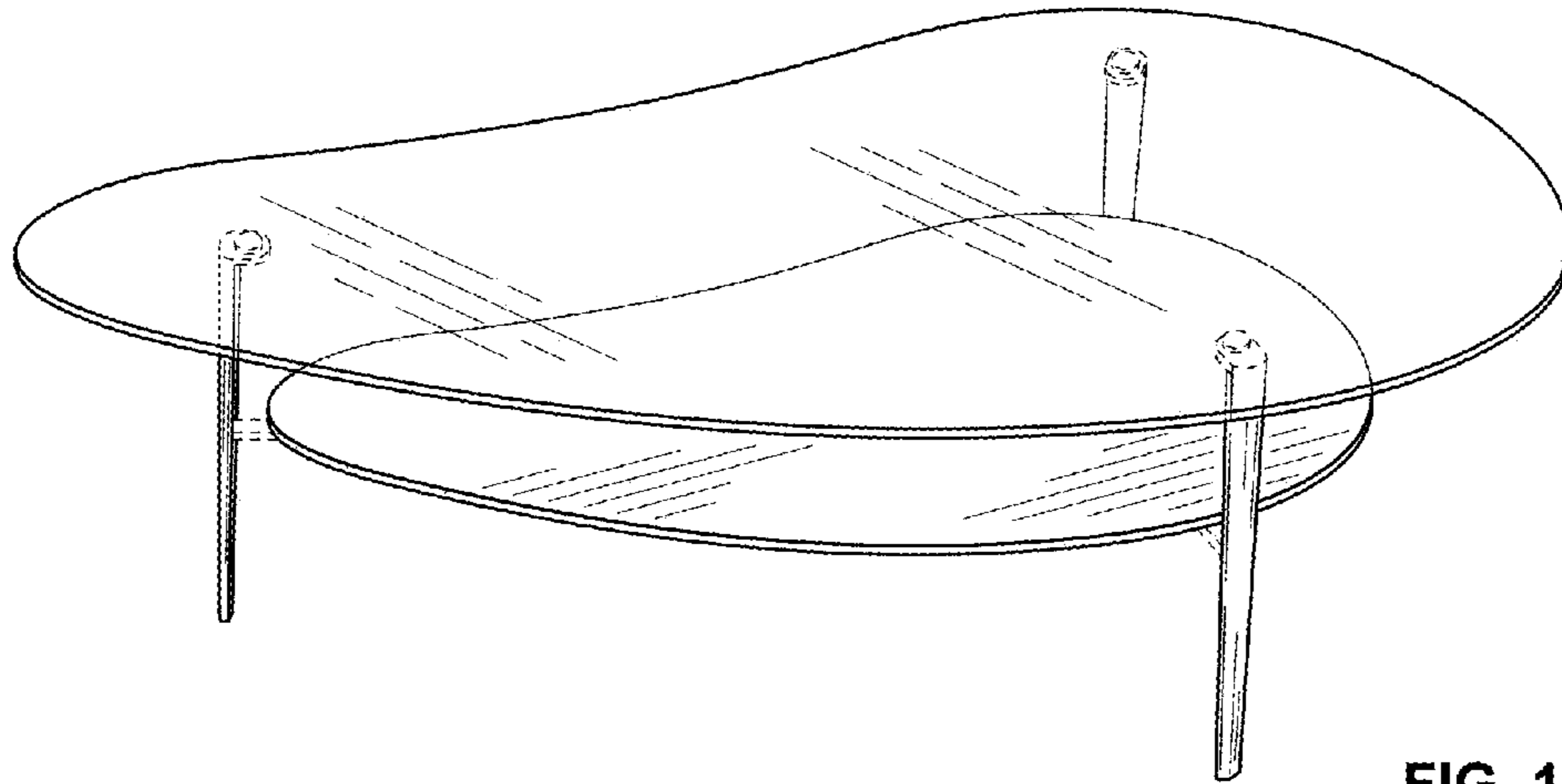


FIG. 1

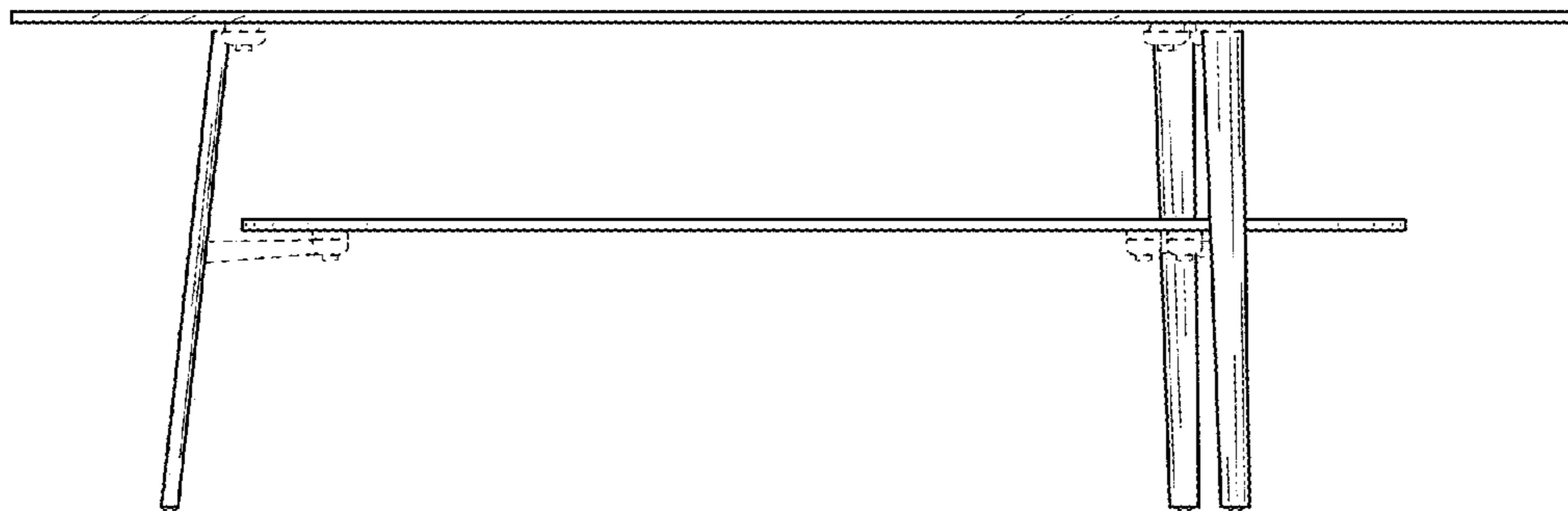


FIG. 2

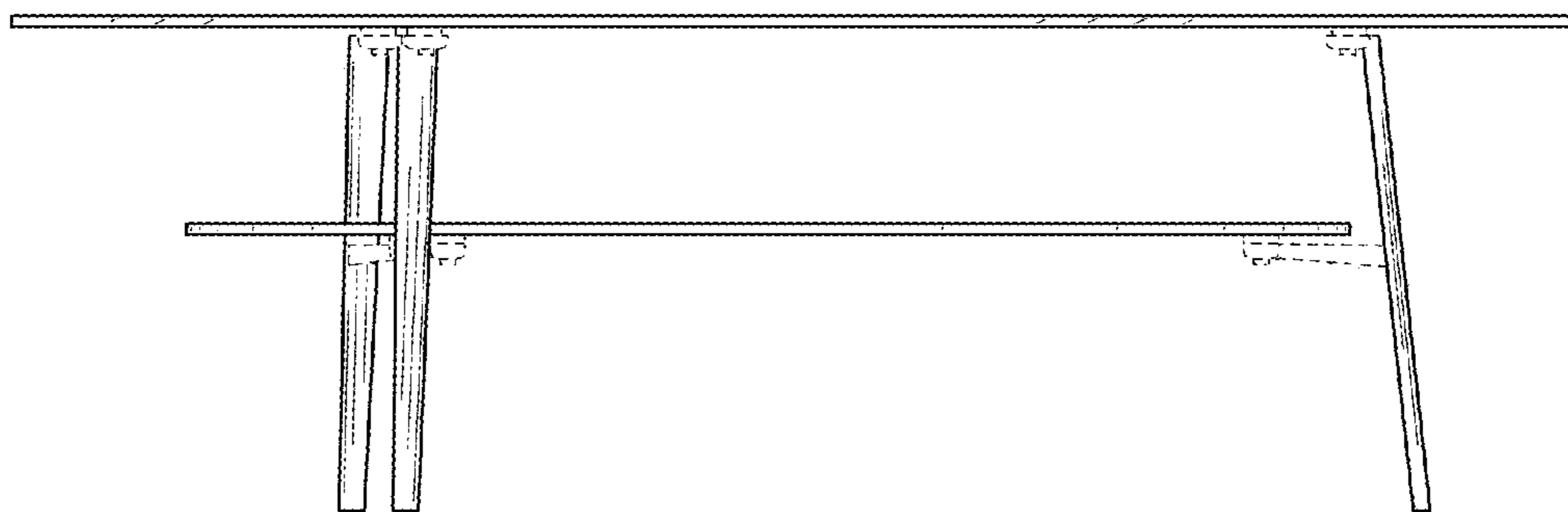


FIG. 3

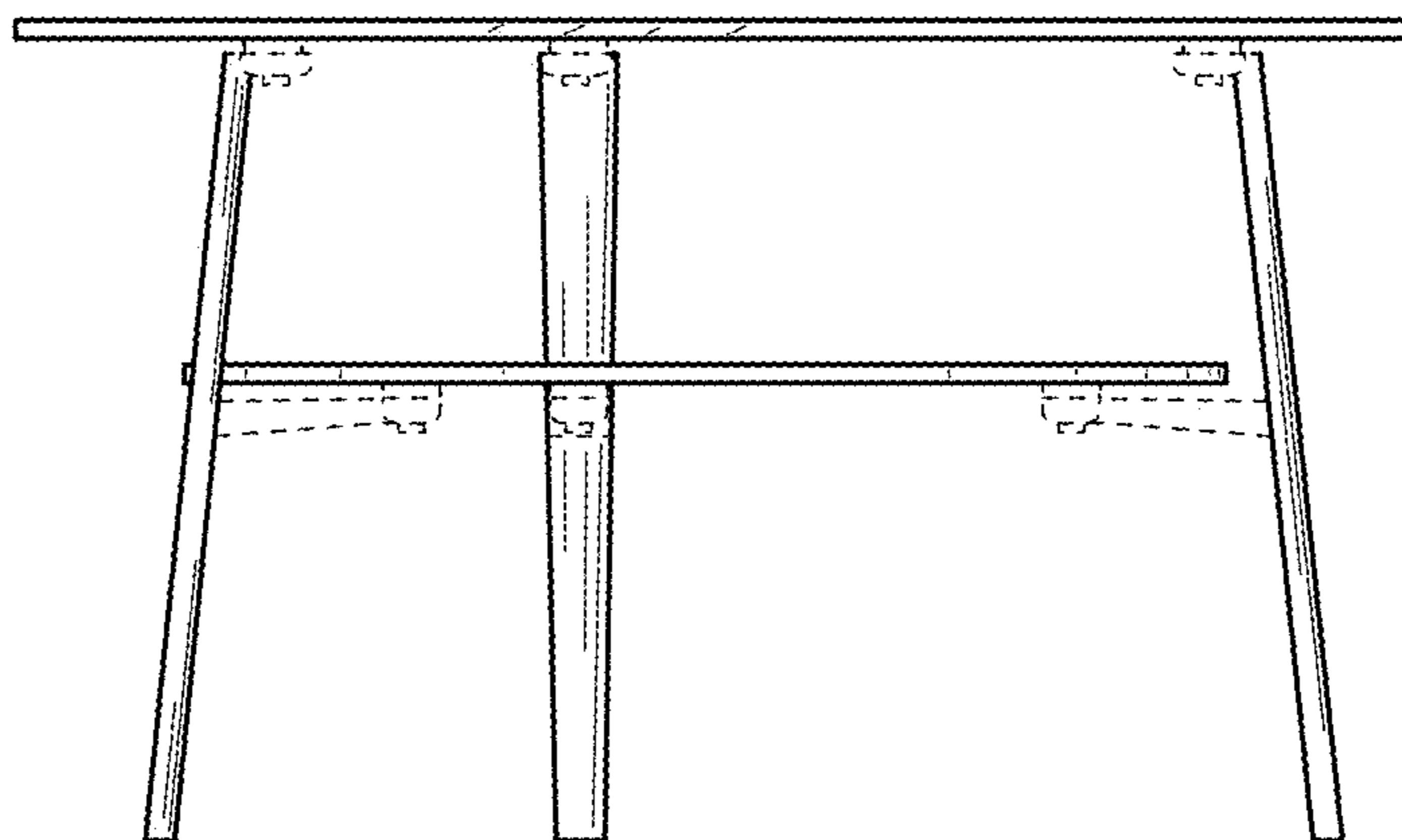


FIG. 4

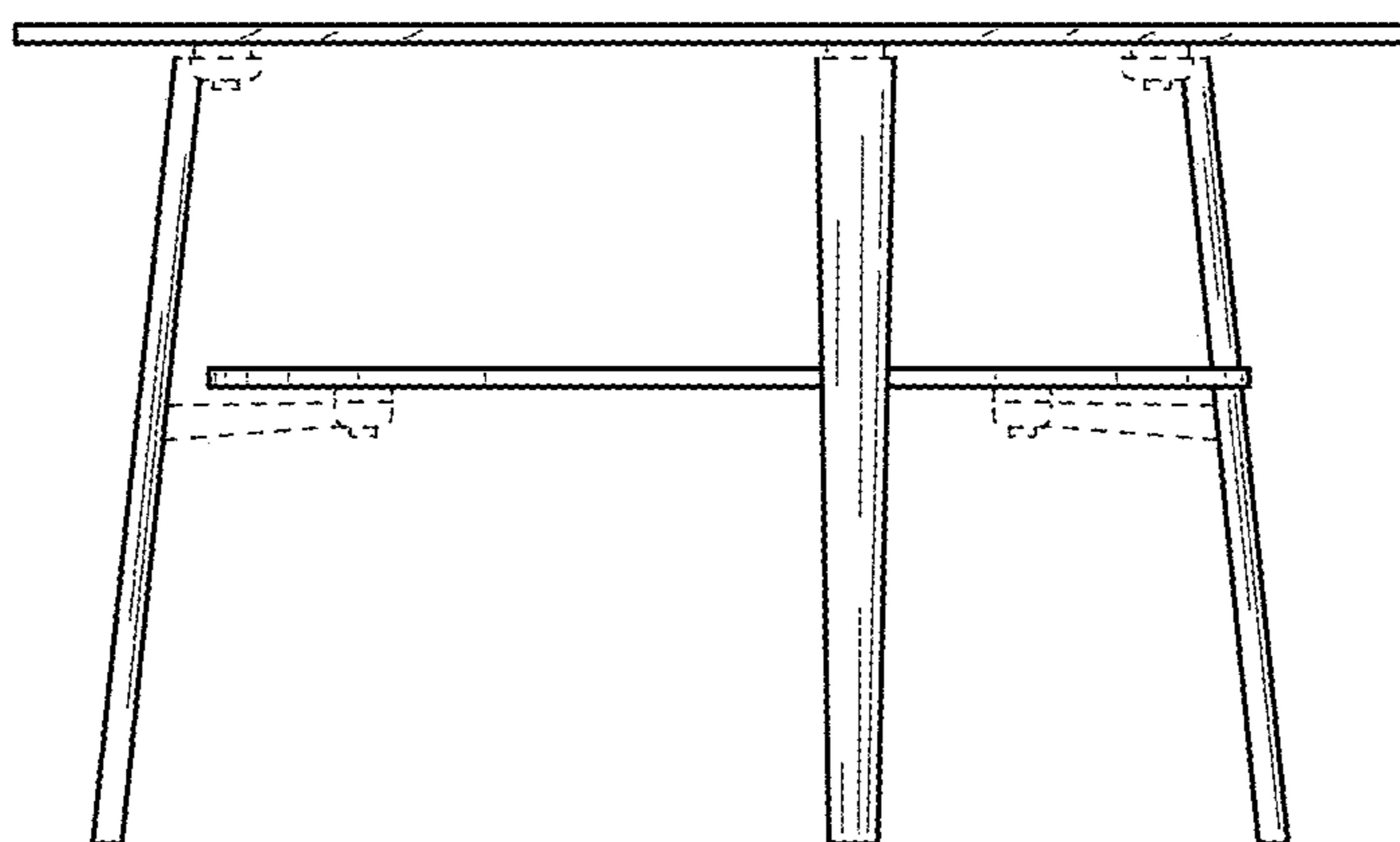


FIG. 5

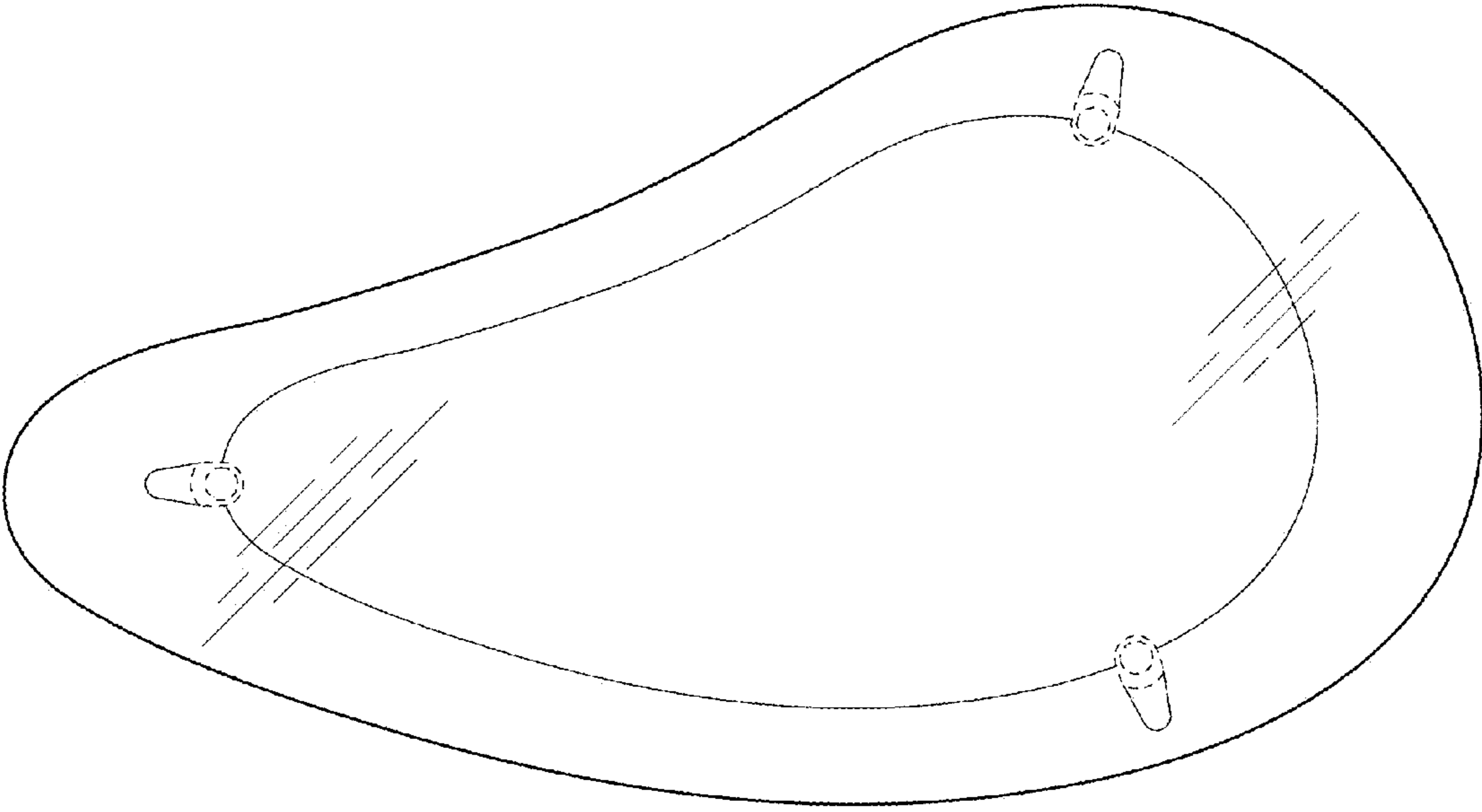


FIG. 6

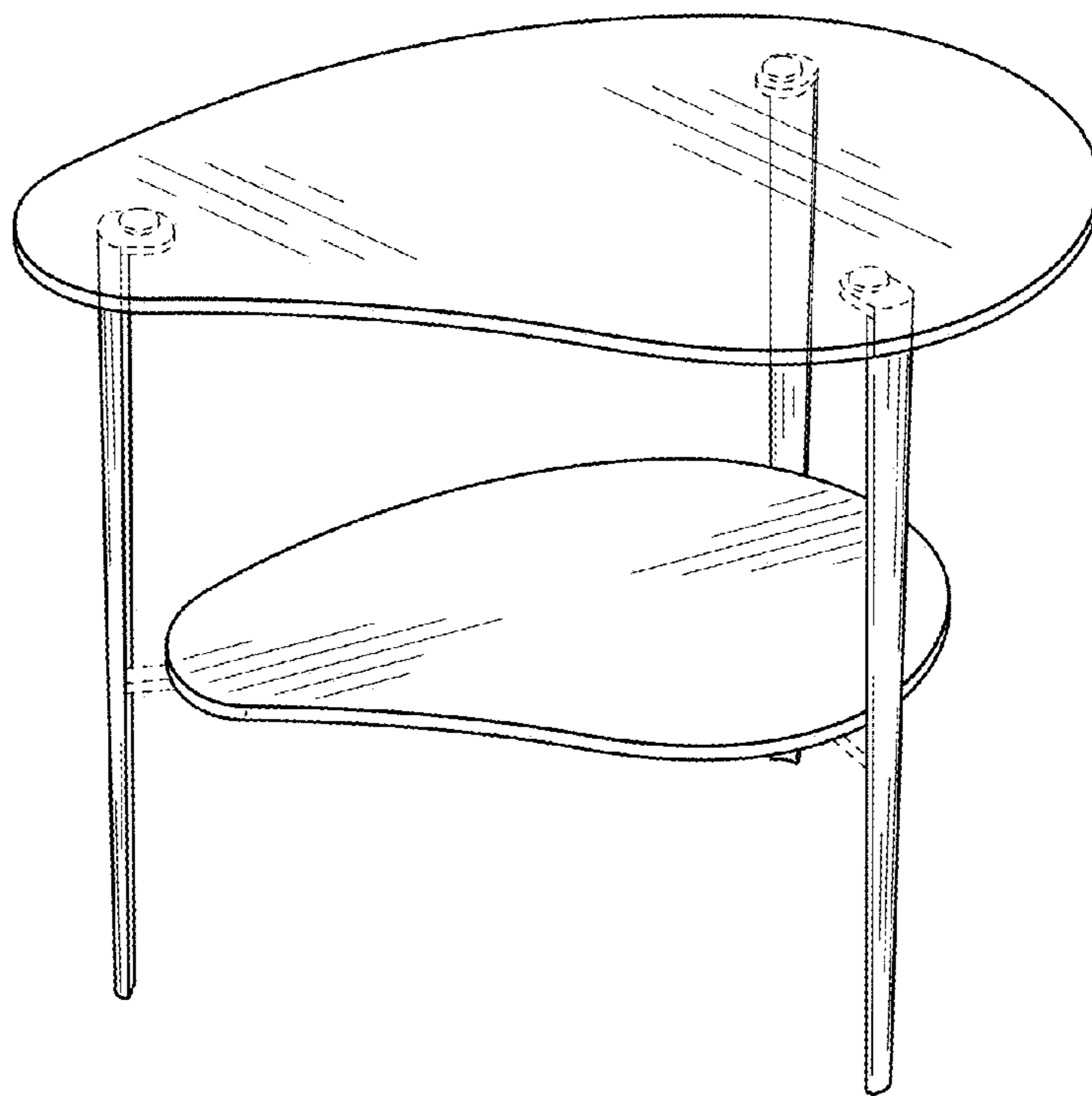


FIG. 7

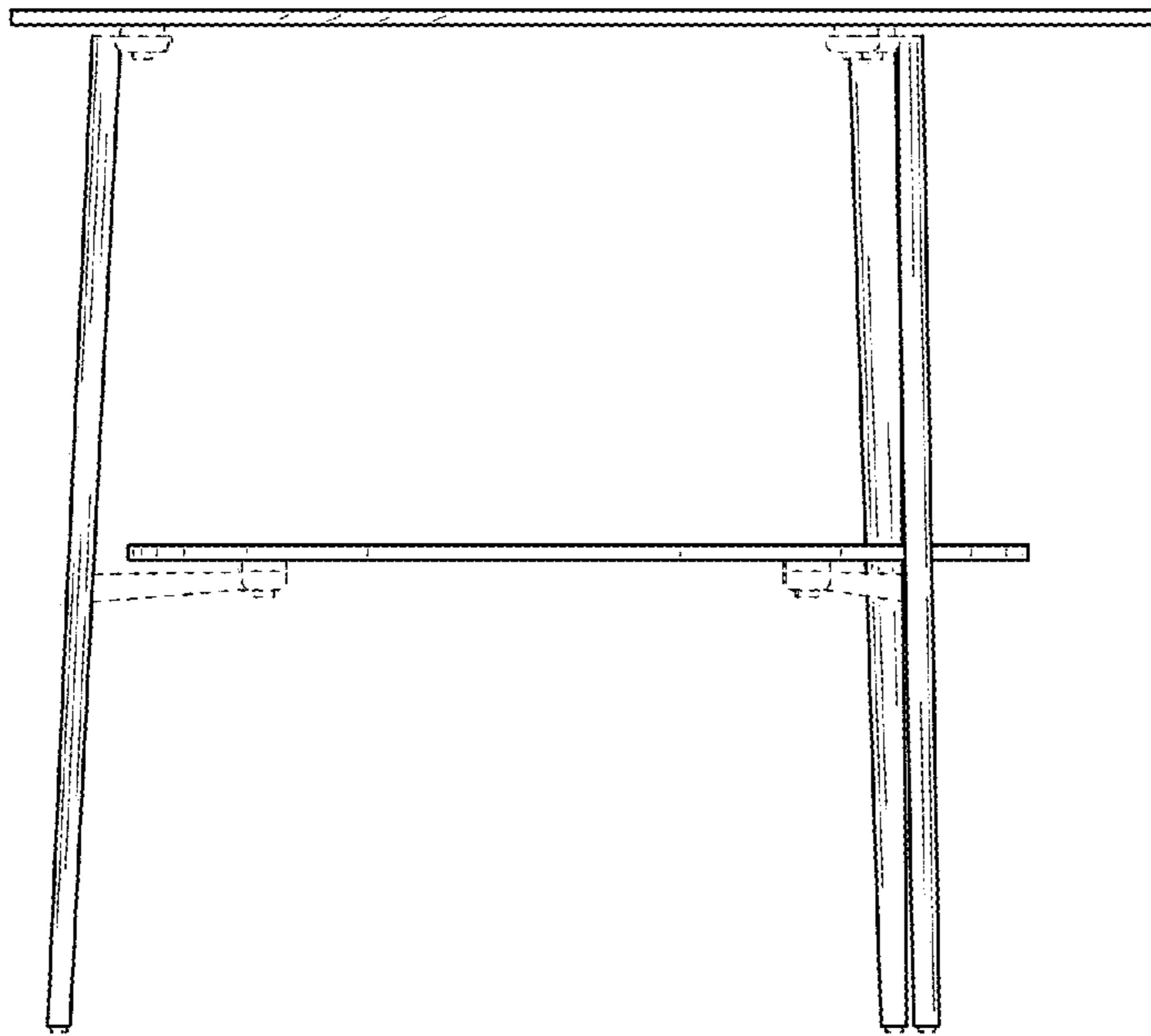


FIG. 8

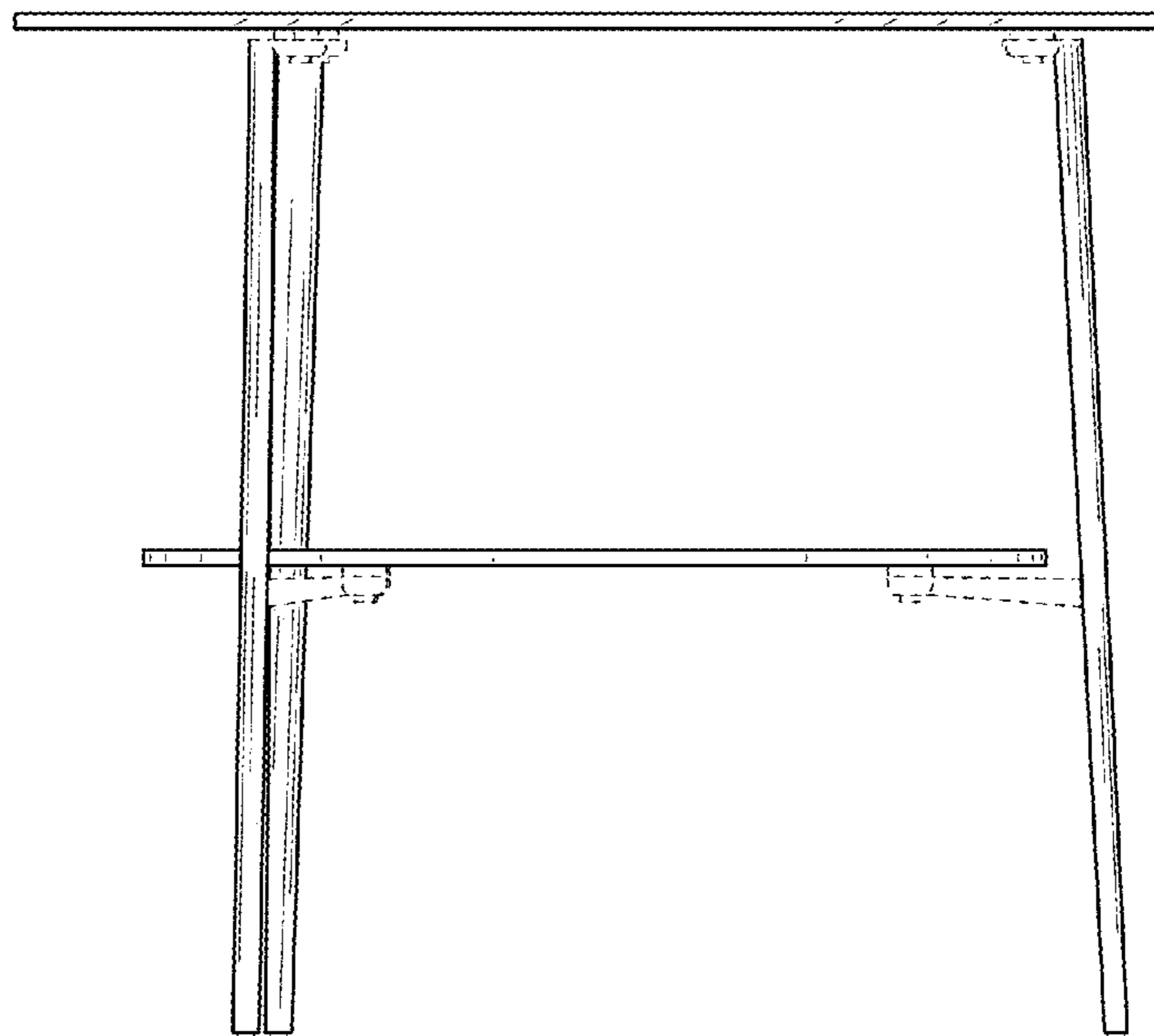


FIG. 9

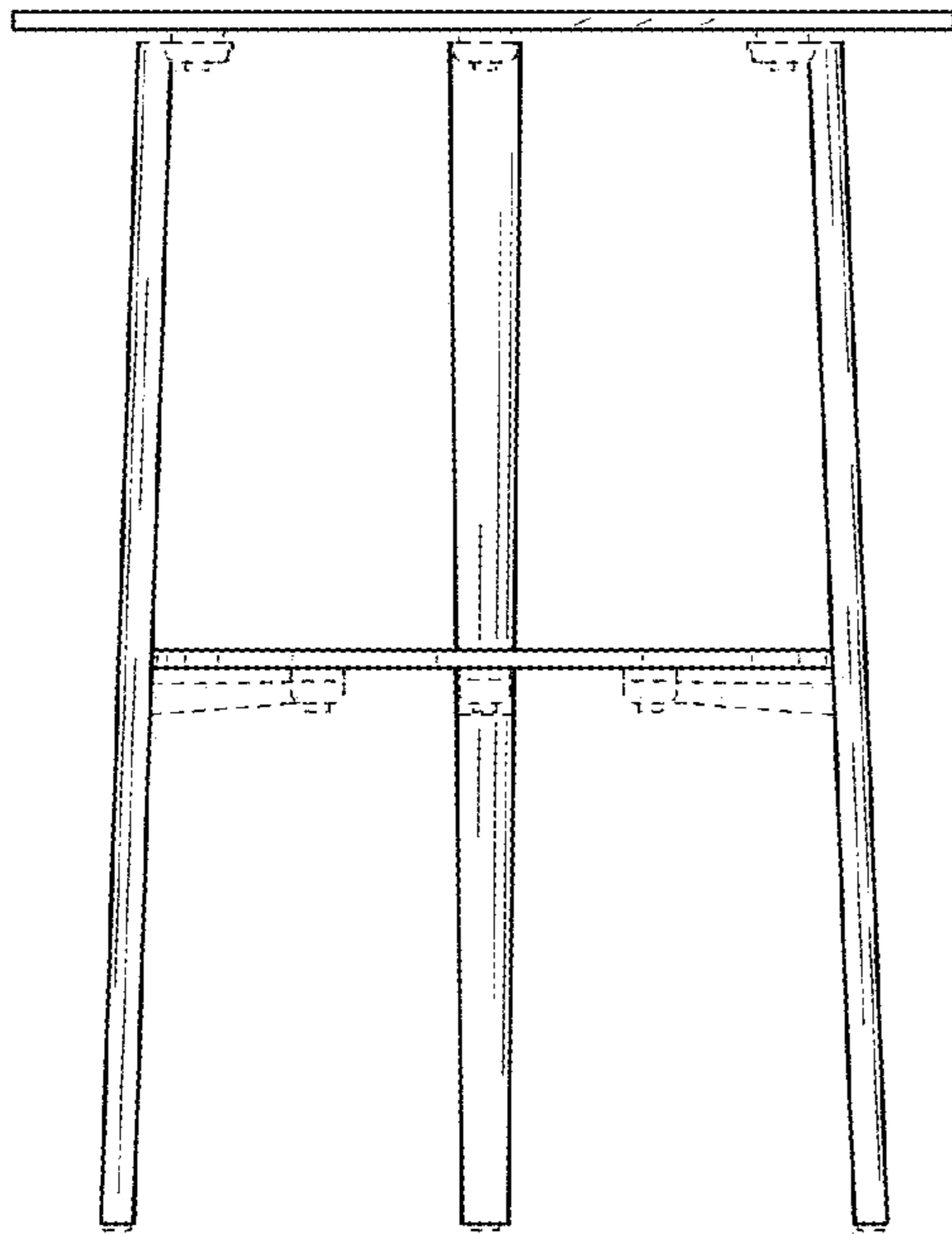


FIG. 10

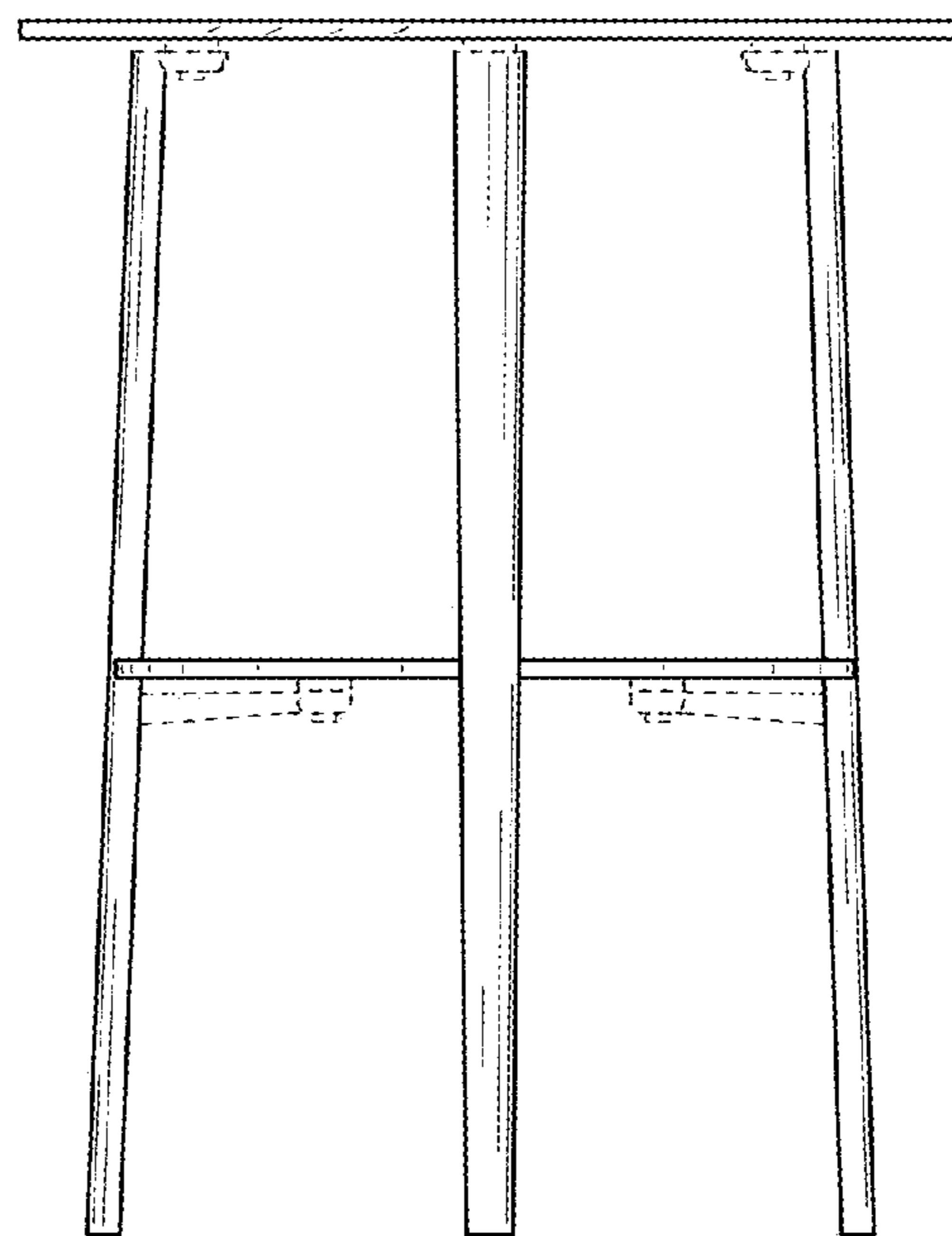


FIG. 11

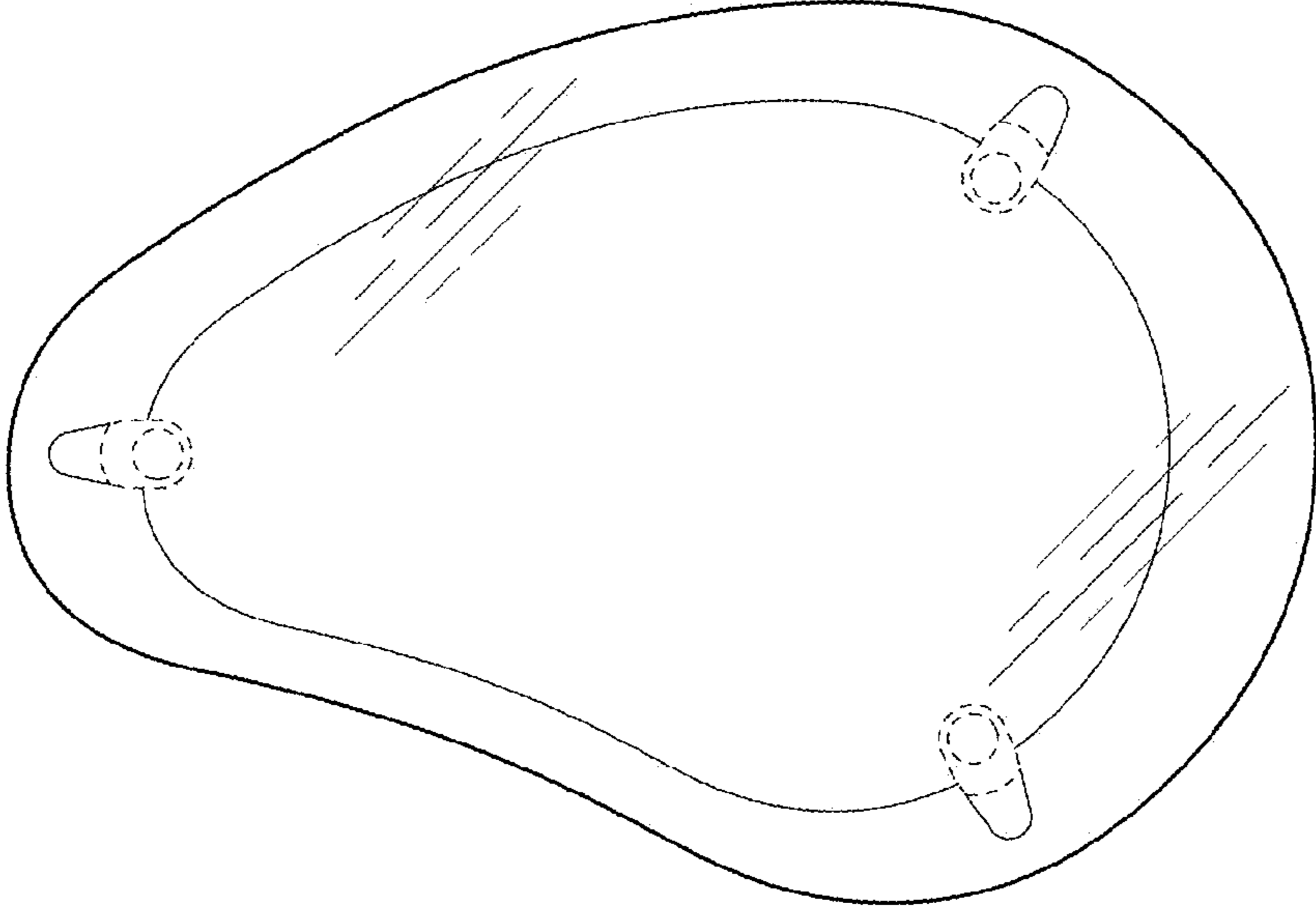


FIG. 12

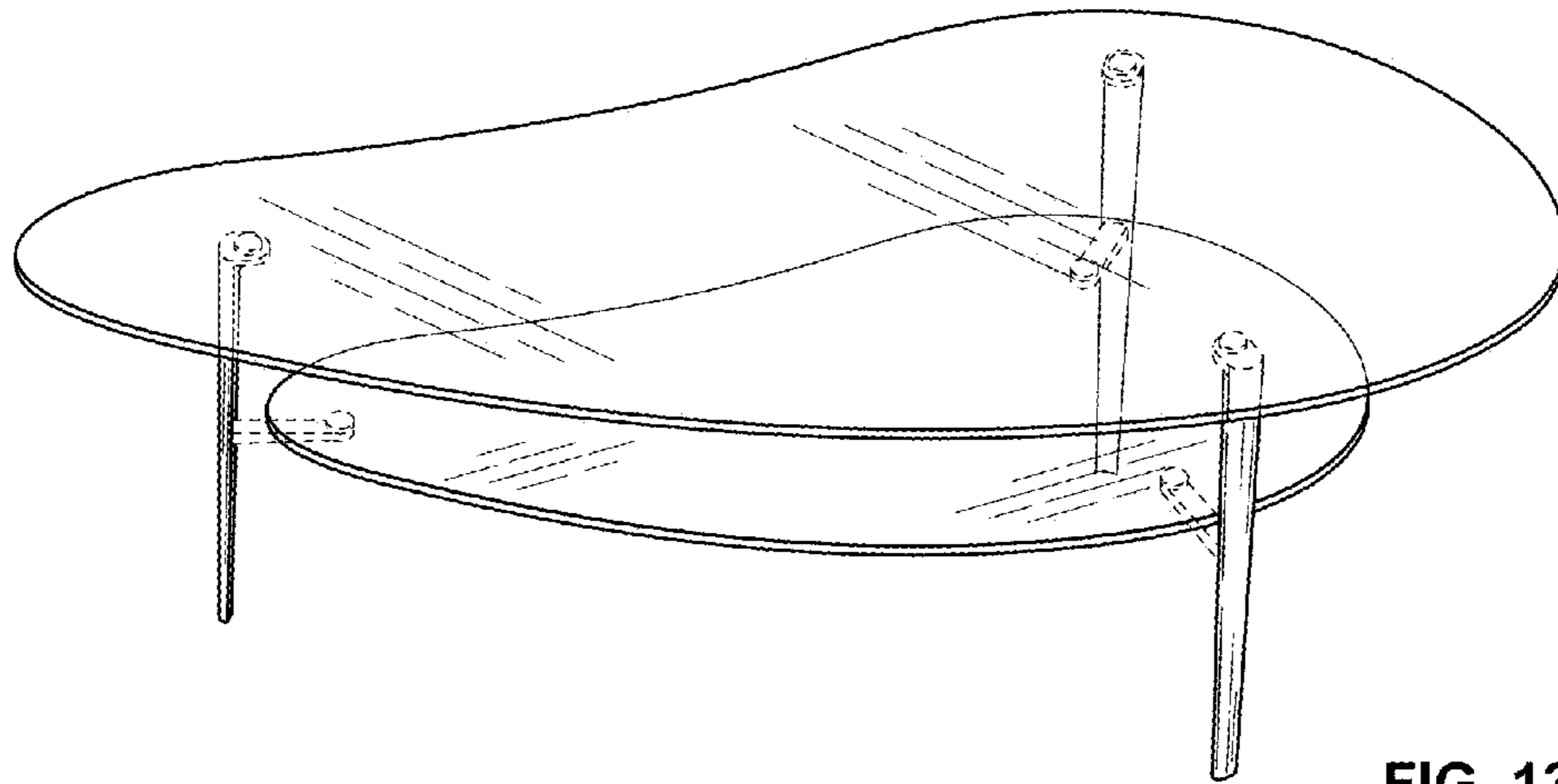


FIG. 13

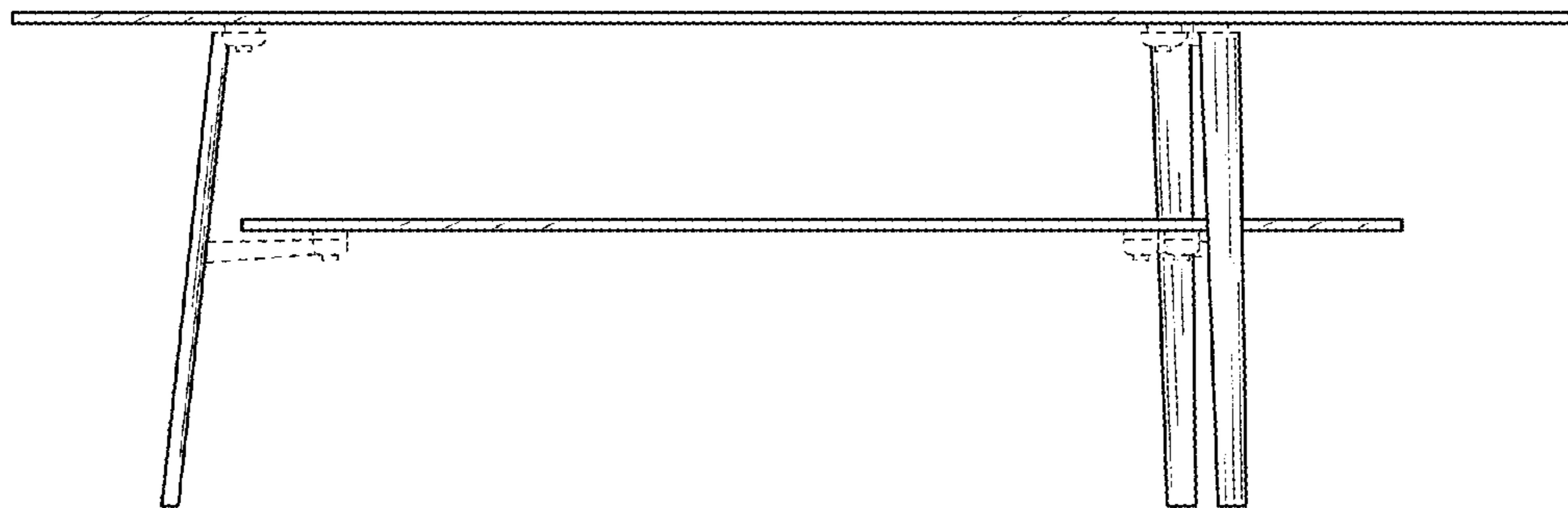


FIG. 14

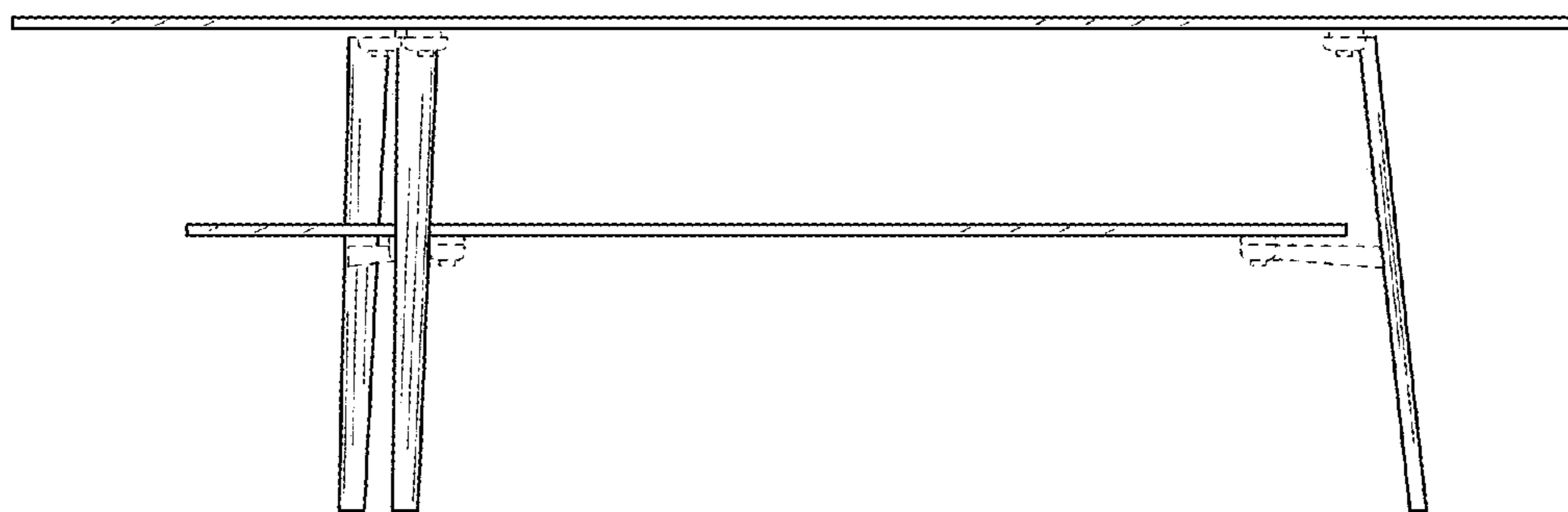


FIG. 15

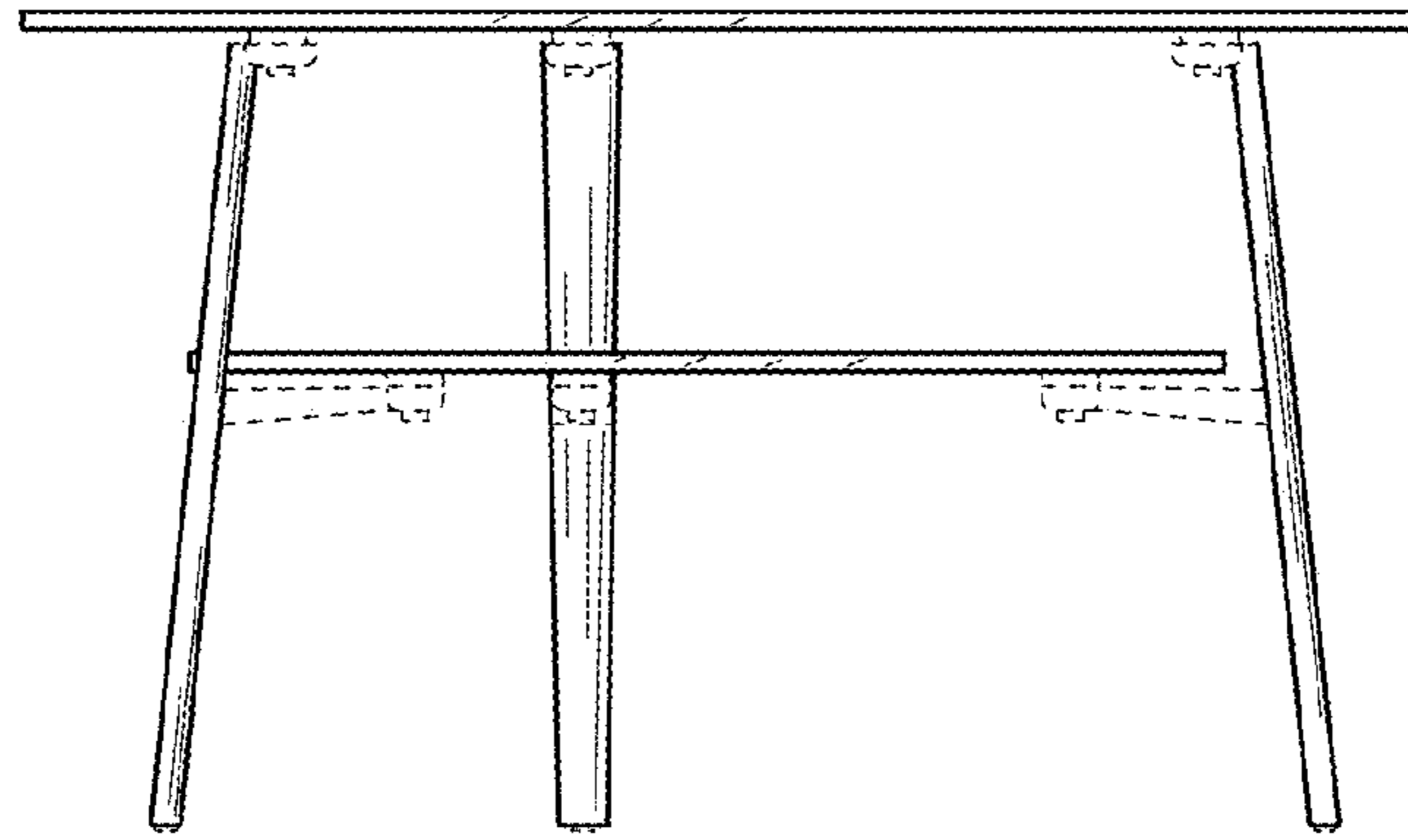


FIG. 16

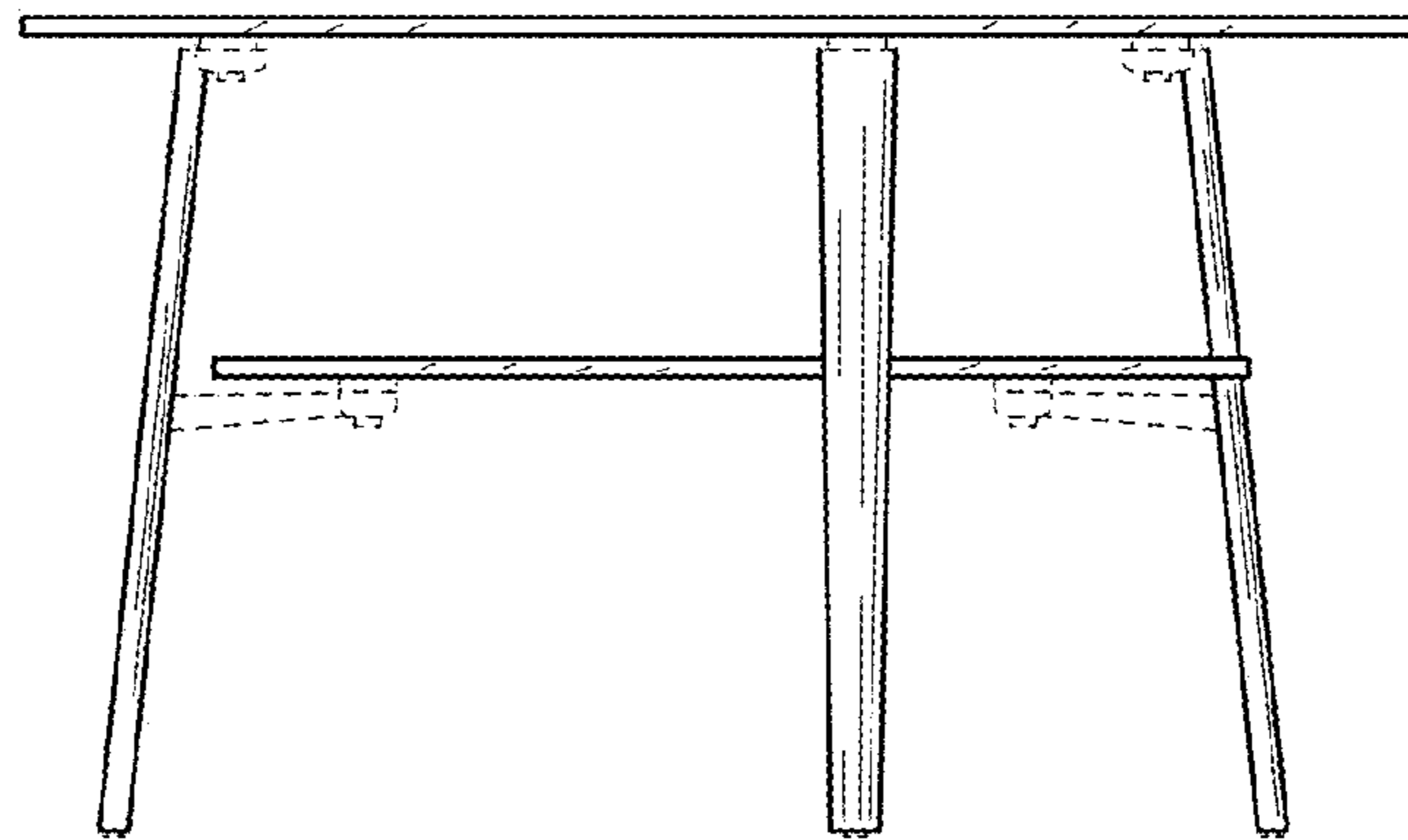


FIG. 17

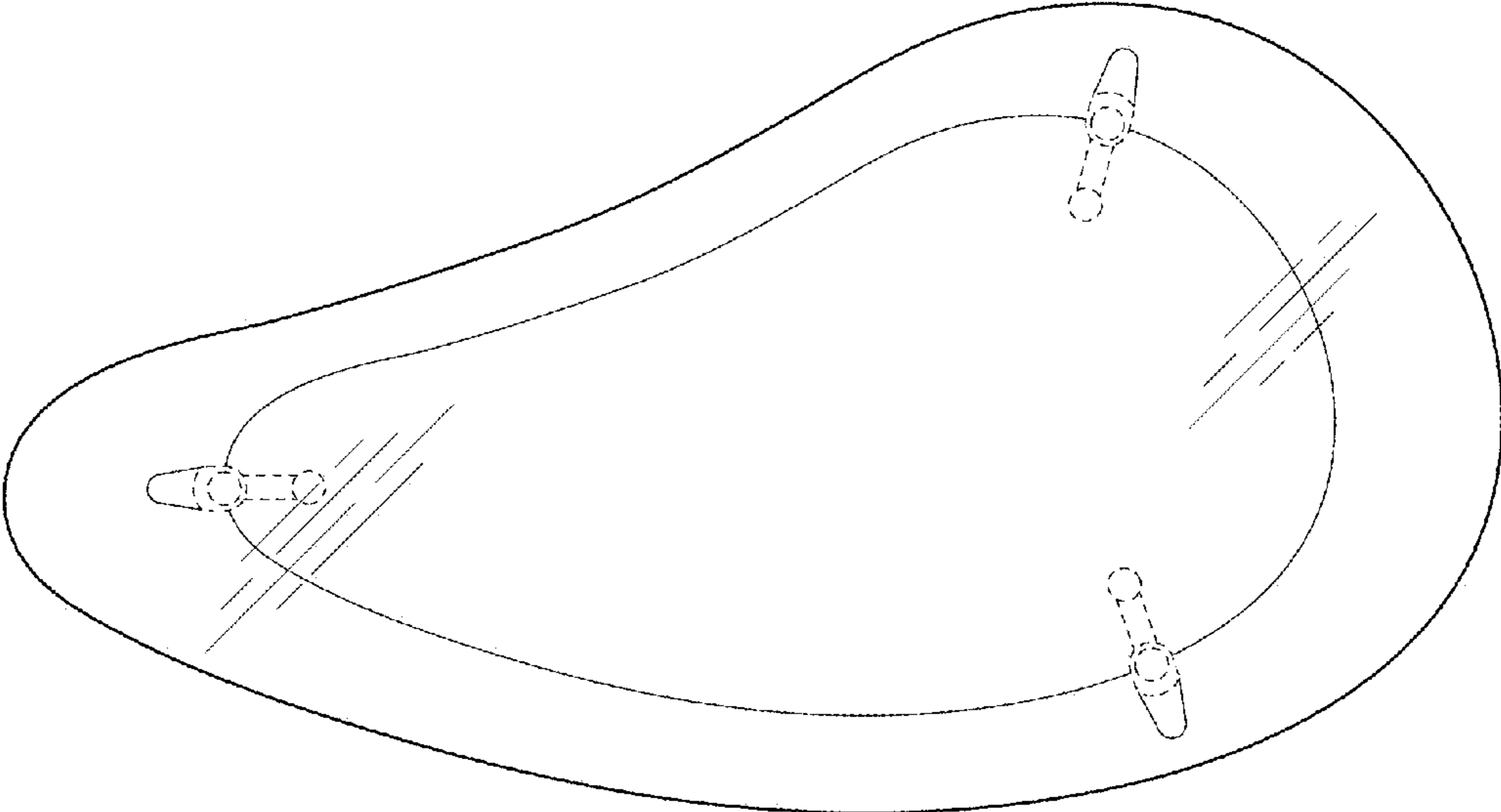


FIG. 18

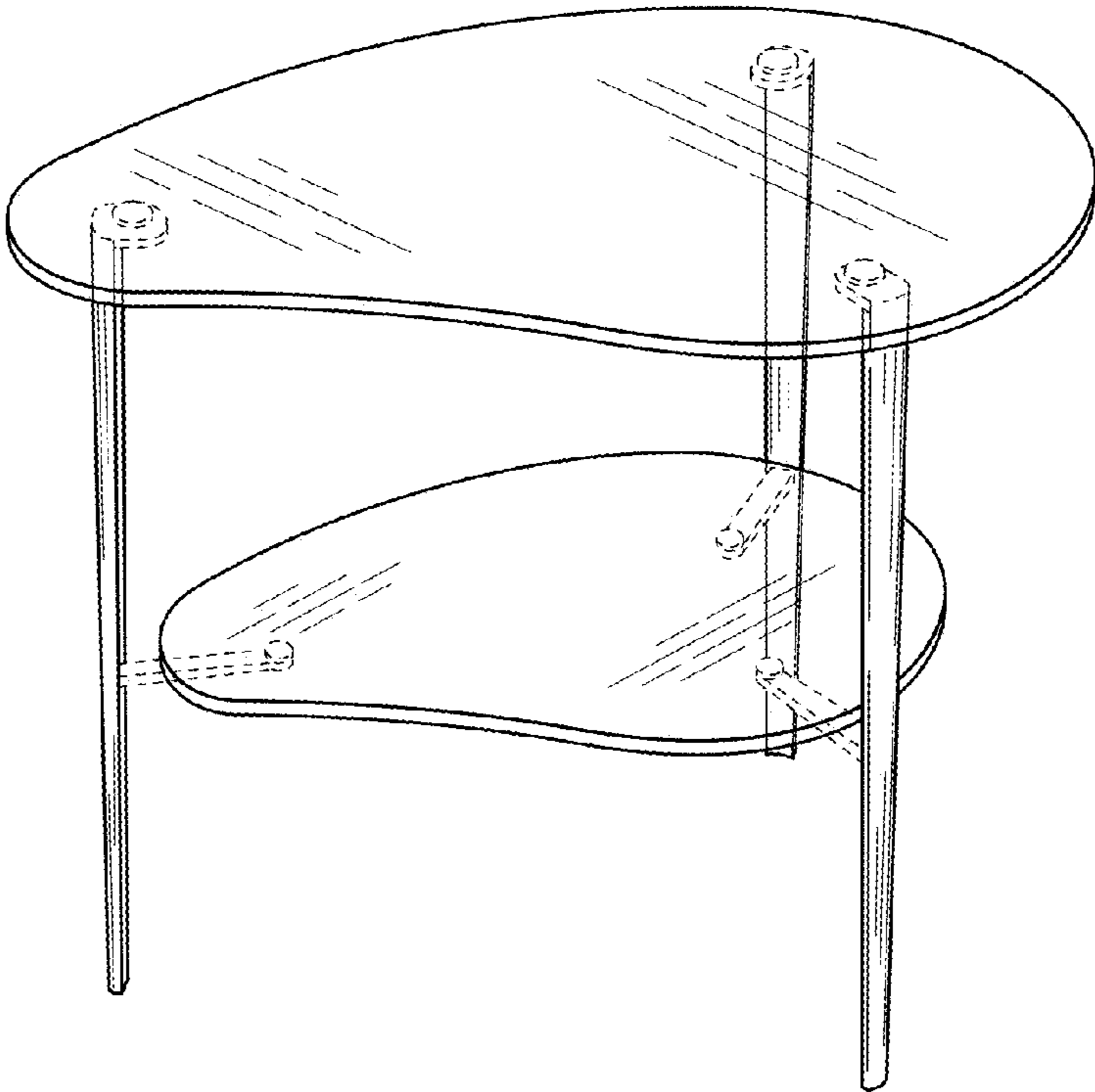


FIG. 19

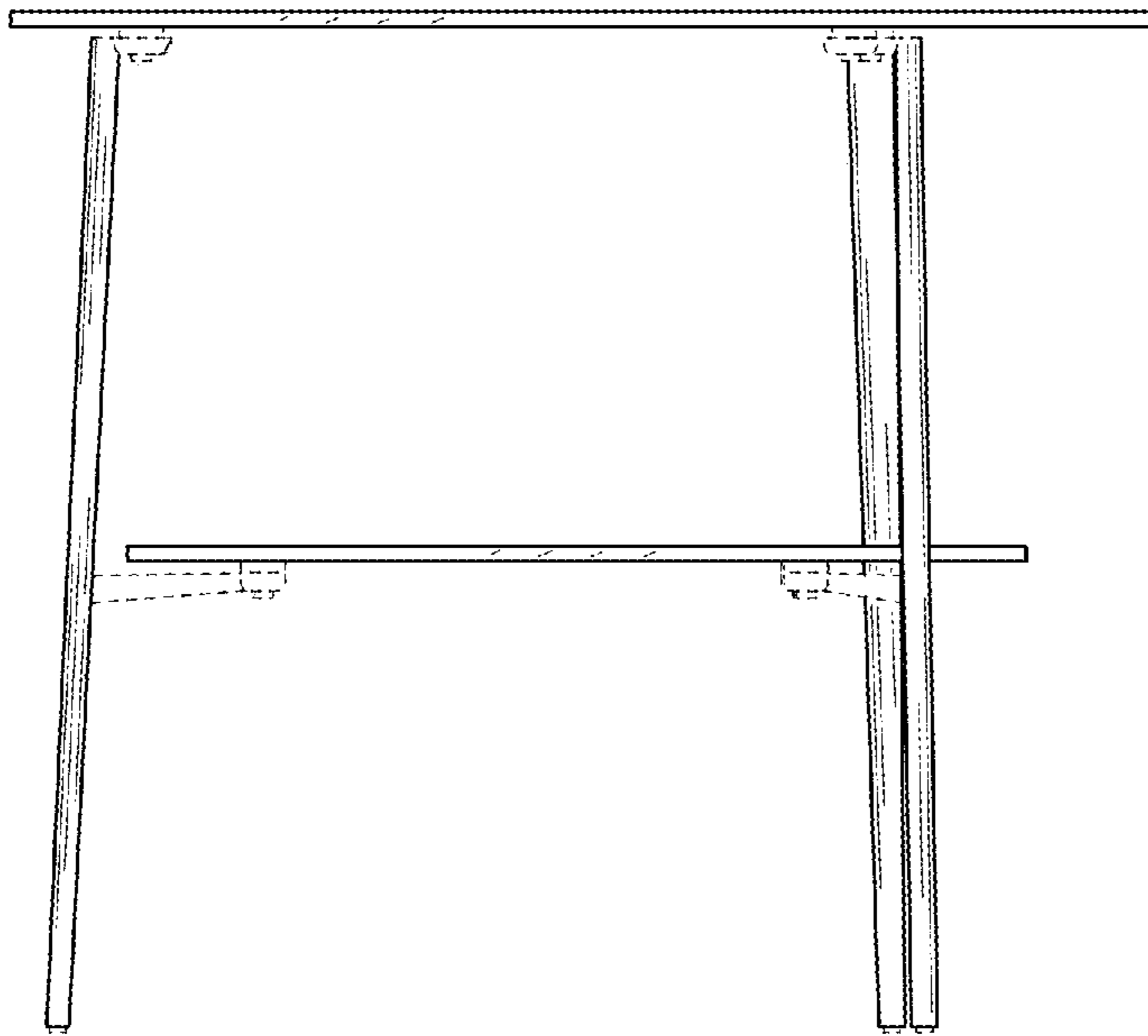


FIG. 20

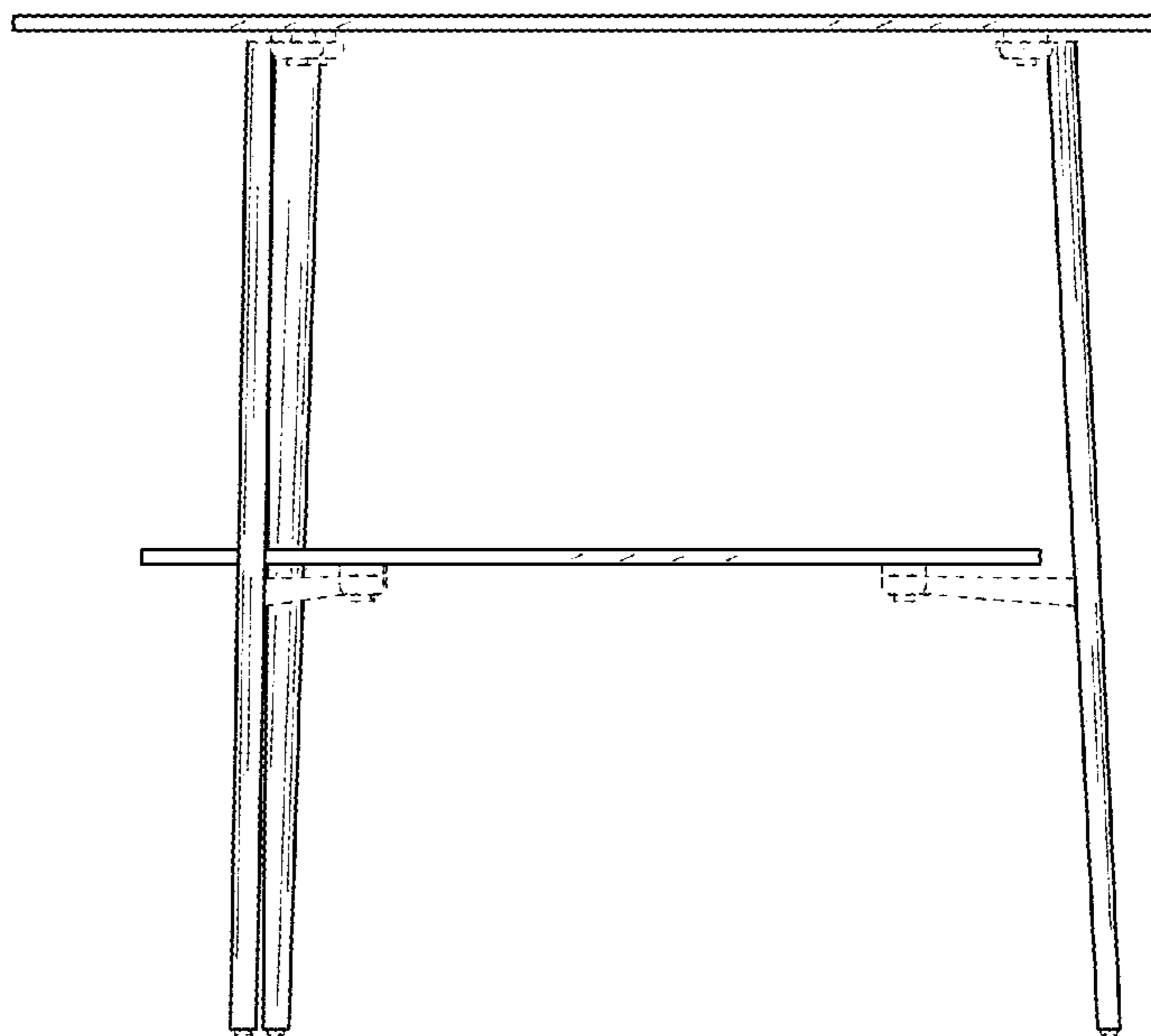


FIG. 21

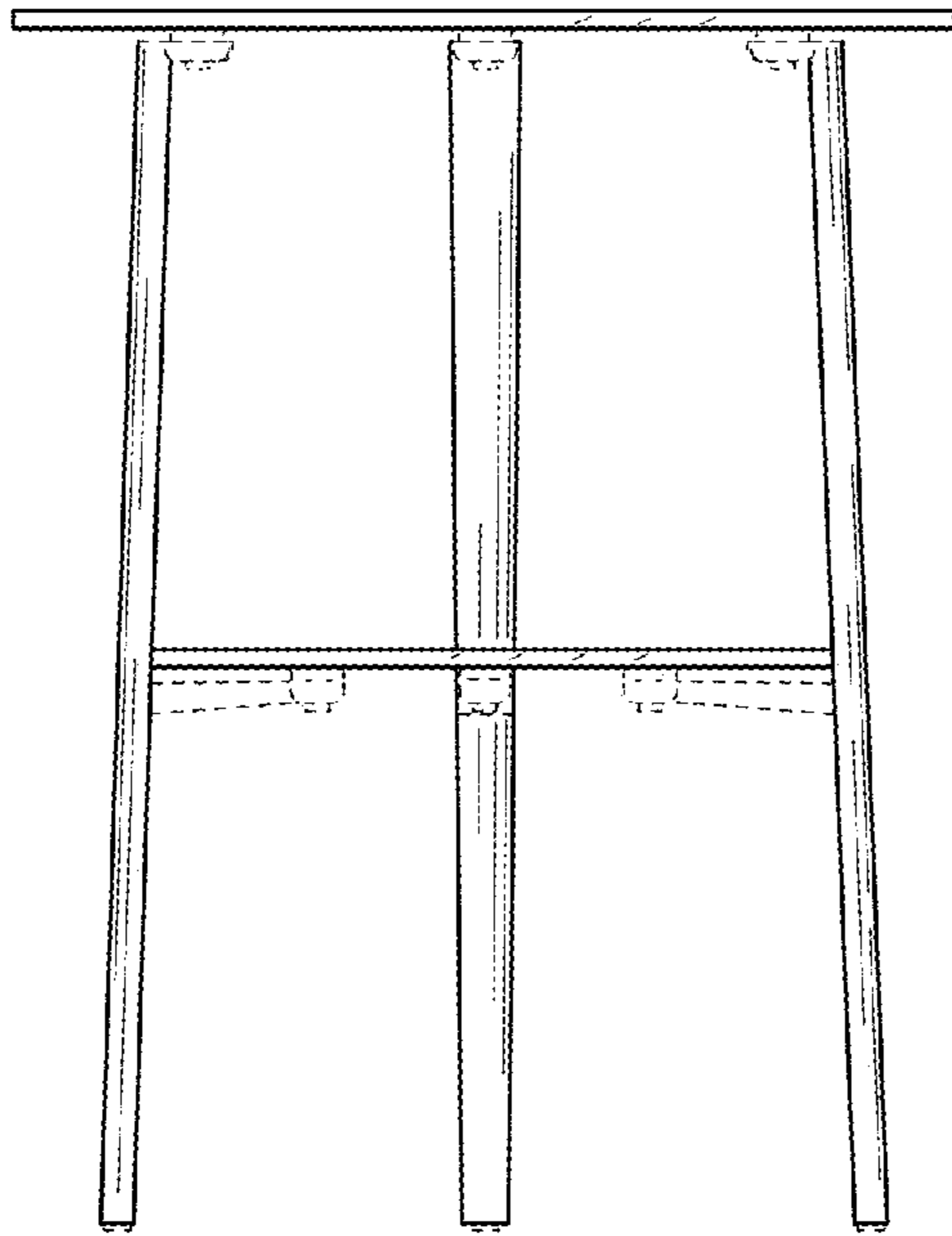


FIG. 22

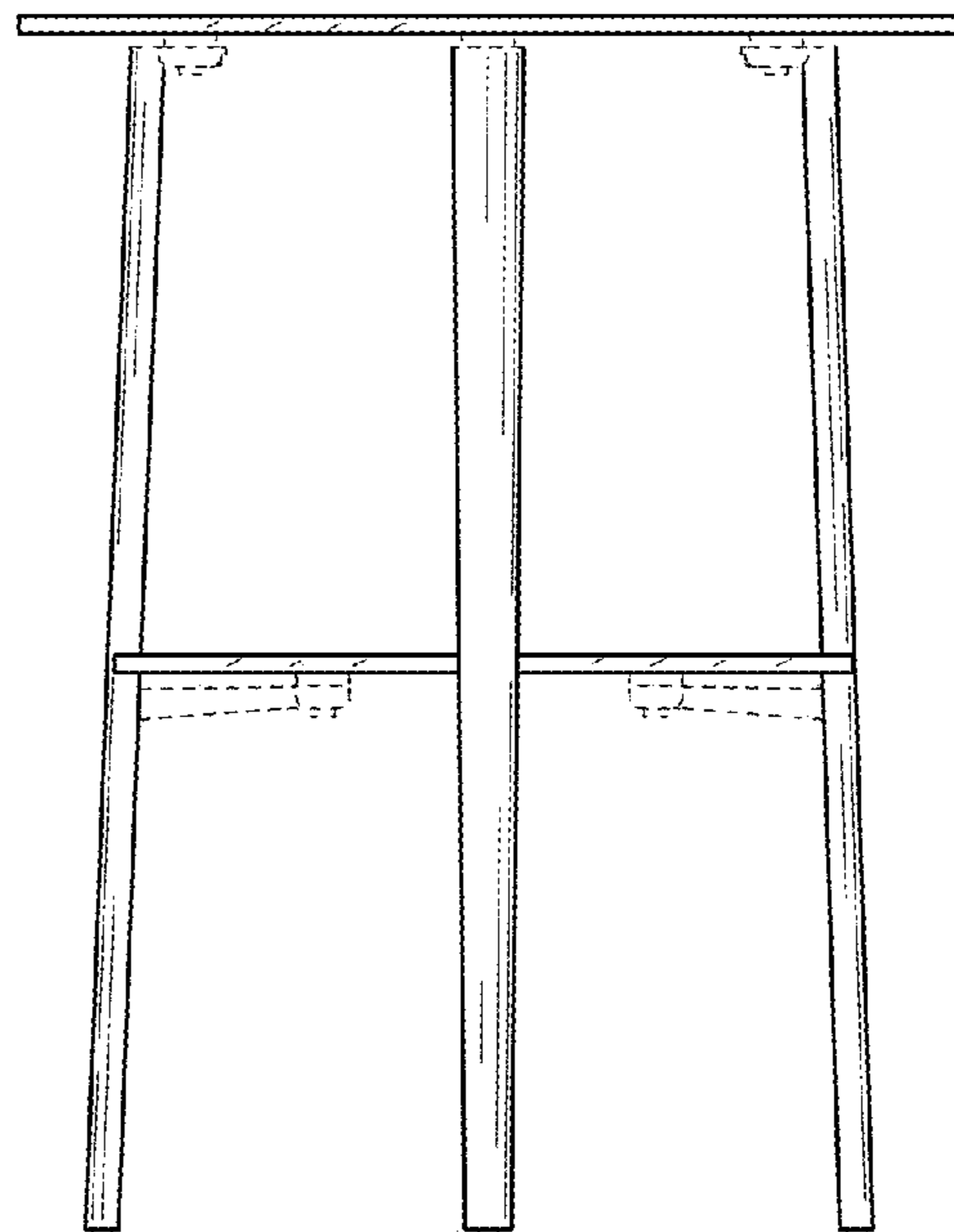


FIG. 23

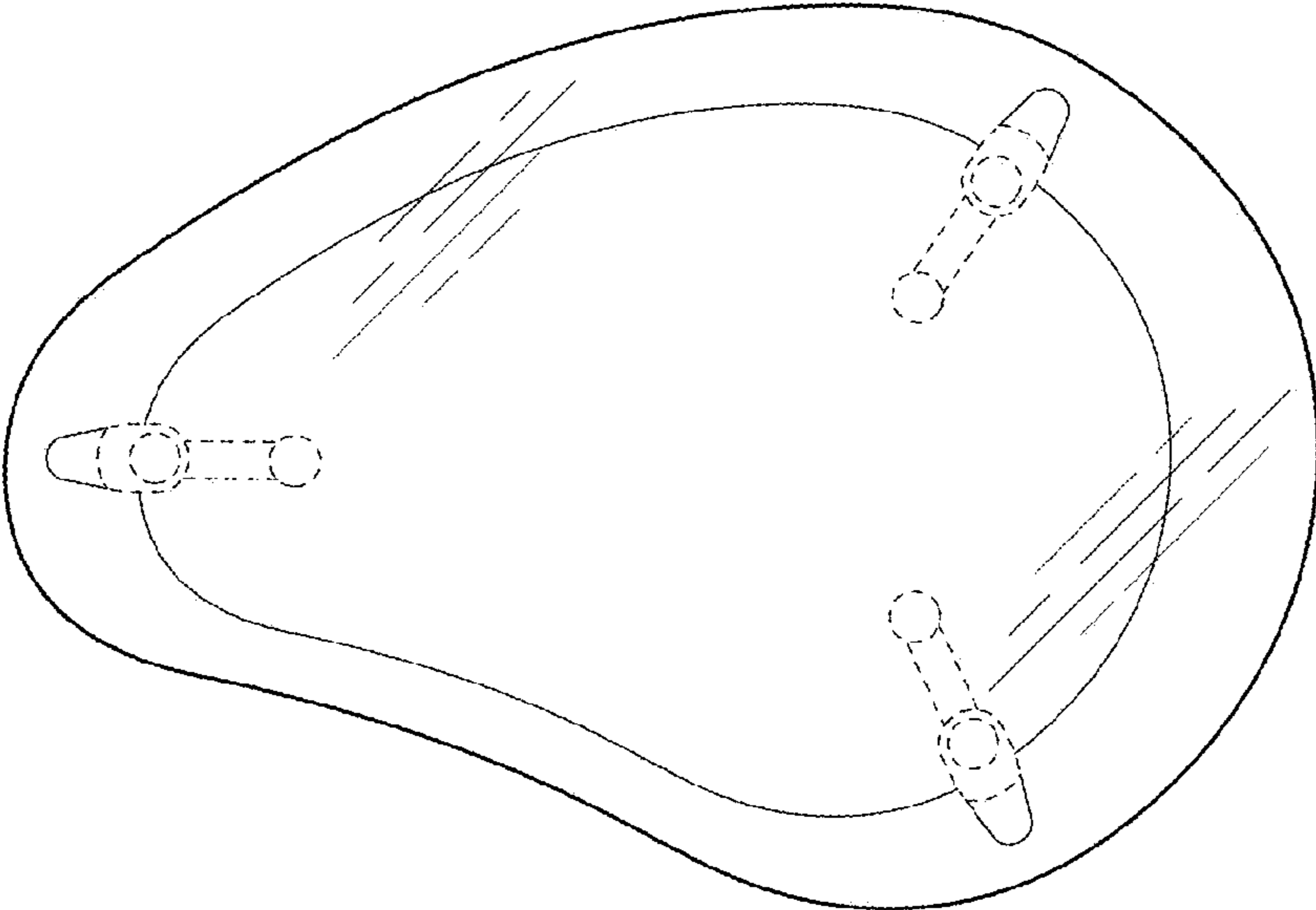


FIG. 24