



US00D742147S

(12) **United States Design Patent**
Lin

(10) **Patent No.:** **US D742,147 S**
(45) **Date of Patent:** **** Nov. 3, 2015**

(54) **CIRCULAR TABLE**

(71) Applicant: **Zhuhai Shichang Metals Ltd., Zhuahi**
(CN)

(72) Inventor: **Wen-Sheng Lin, Kaohsiung (TW)**

(73) Assignee: **Zhuhai Shichang Metals Ltd. (CN)**

(**) Term: **14 Years**

(21) Appl. No.: **29/486,802**

(22) Filed: **Apr. 2, 2014**

(51) **LOC (10) Cl.** **06-03**

(52) **U.S. Cl.**

USPC **D6/692**

(58) **Field of Classification Search**

USPC D6/691, 691.6, 692, 692.4, 707.17, 656,
D6/656.13

CPC A47B 3/00; A47B 3/0818; A47B 3/087;
A47B 3/08

See application file for complete search history.

(56) **References Cited**

U.S. PATENT DOCUMENTS

D357,144	S	*	4/1995	Hand	D6/692
D476,169	S		6/2003	Buono		
D480,580	S		10/2003	Buono		
7,621,224	B2		11/2009	Lin et al.		
2005/0155531	A1	*	7/2005	Chang	108/130
2005/0160950	A1	*	7/2005	Haney et al.	108/129
2013/0025509	A1	*	1/2013	Jin et al.	108/166
2013/0180438	A1	*	7/2013	Nye et al.	108/91

* cited by examiner

Primary Examiner — Janice Seeger

(74) *Attorney, Agent, or Firm* — Luedeka Neely Group, P.C.

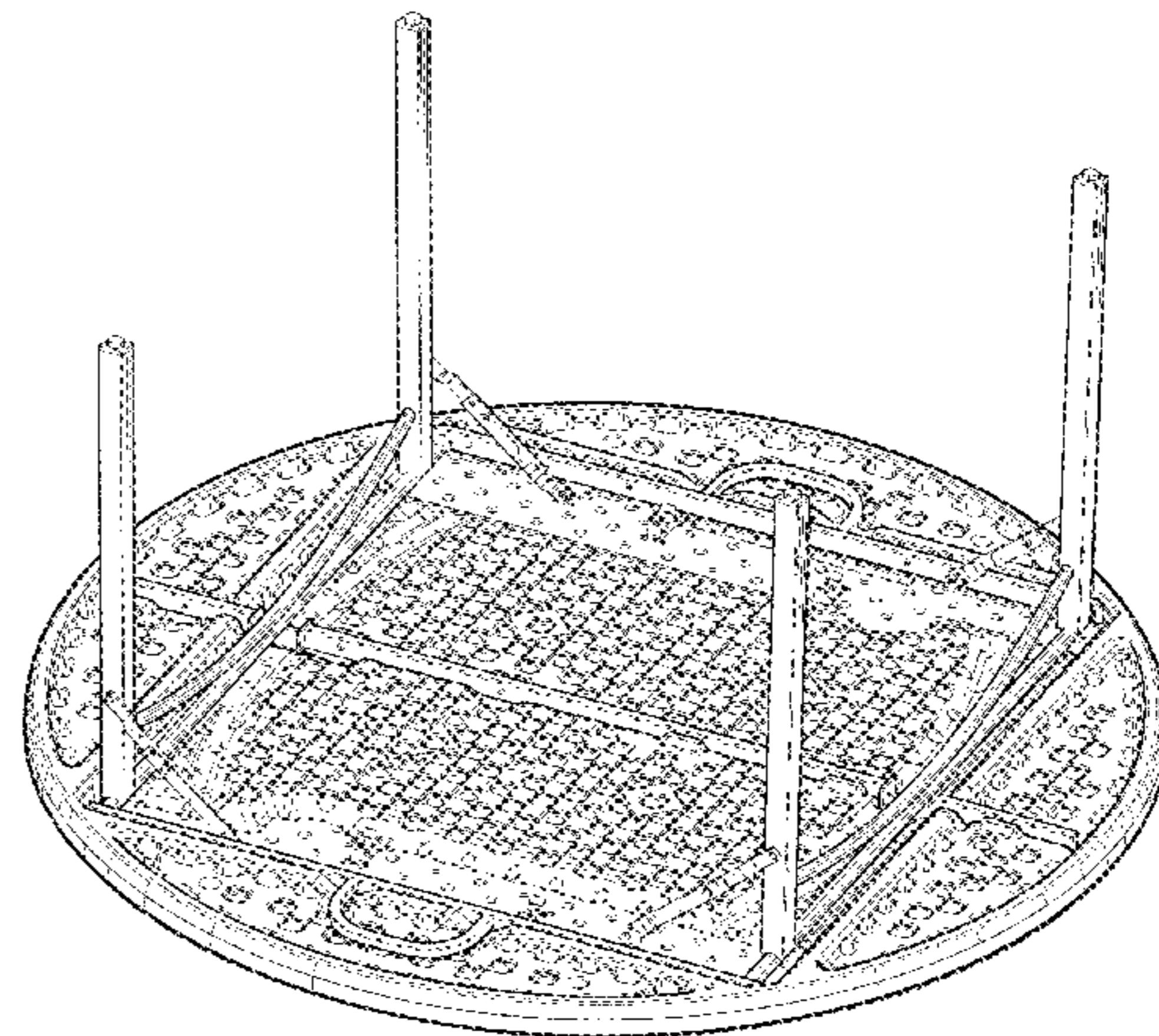
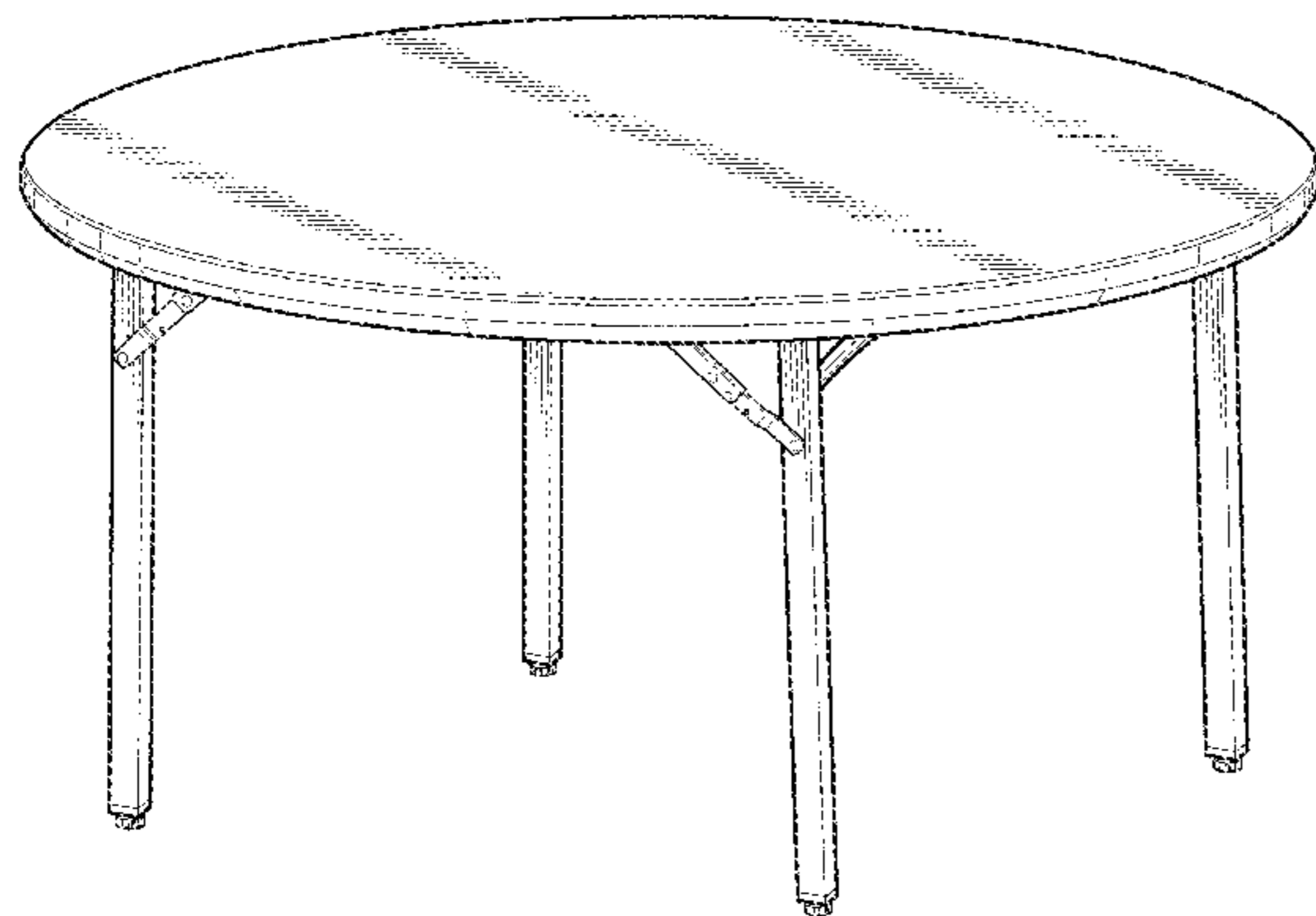
(57) **CLAIM**

The ornamental design for a circular table, as shown and described.

DESCRIPTION

FIG. 1 is a top perspective view of the circular table;
FIG. 2 is a side plan view of the circular table, the opposite side being a mirror image;
FIG. 3 is a end plan view of the circular table, the opposite end being a mirror image;
FIG. 4 is a top plan view of the circular table;
FIG. 5 is a bottom plan view of the circular table; and
FIG. 6 is a bottom perspective view of the circular table.

1 Claim, 6 Drawing Sheets



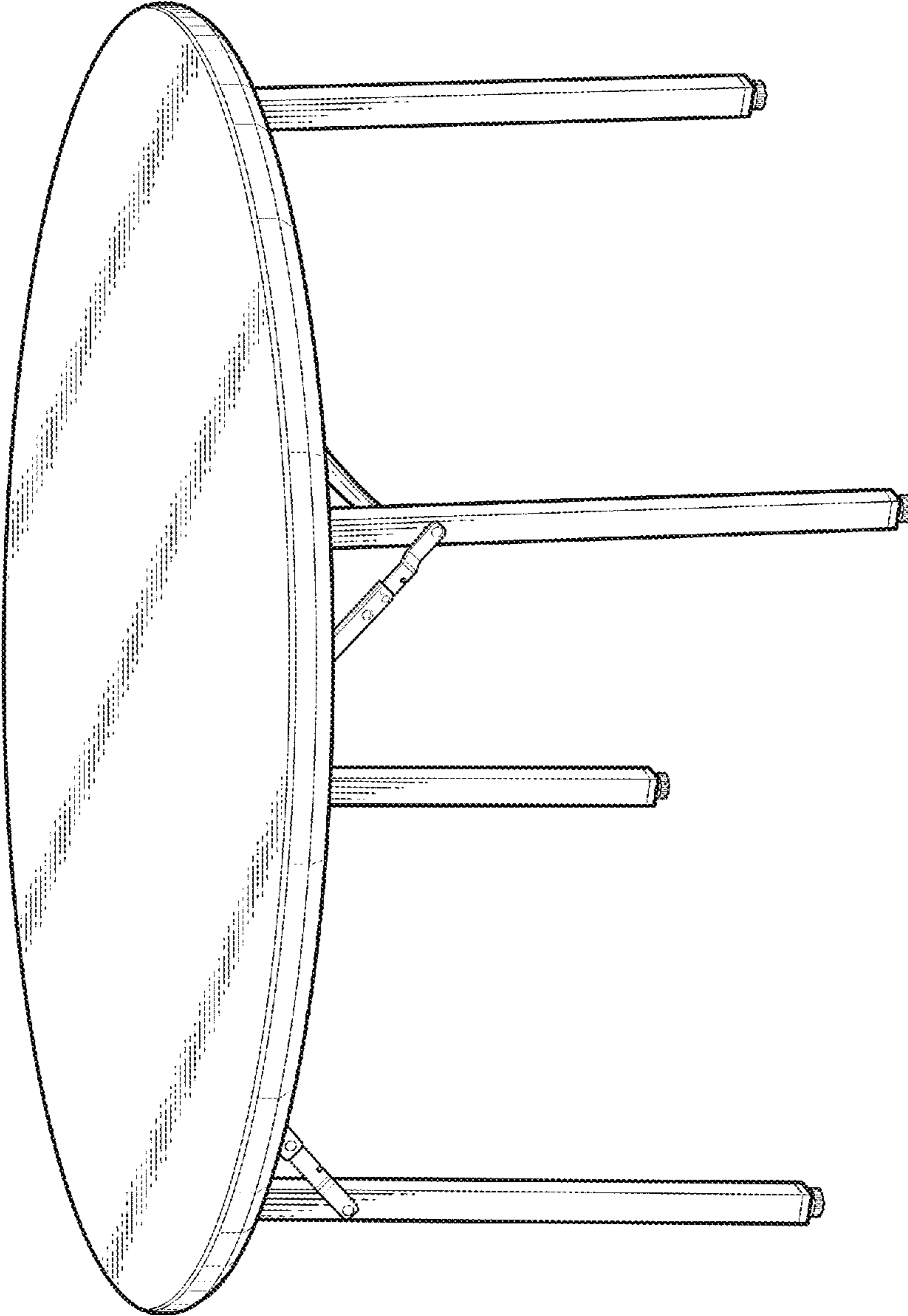


FIG. 1

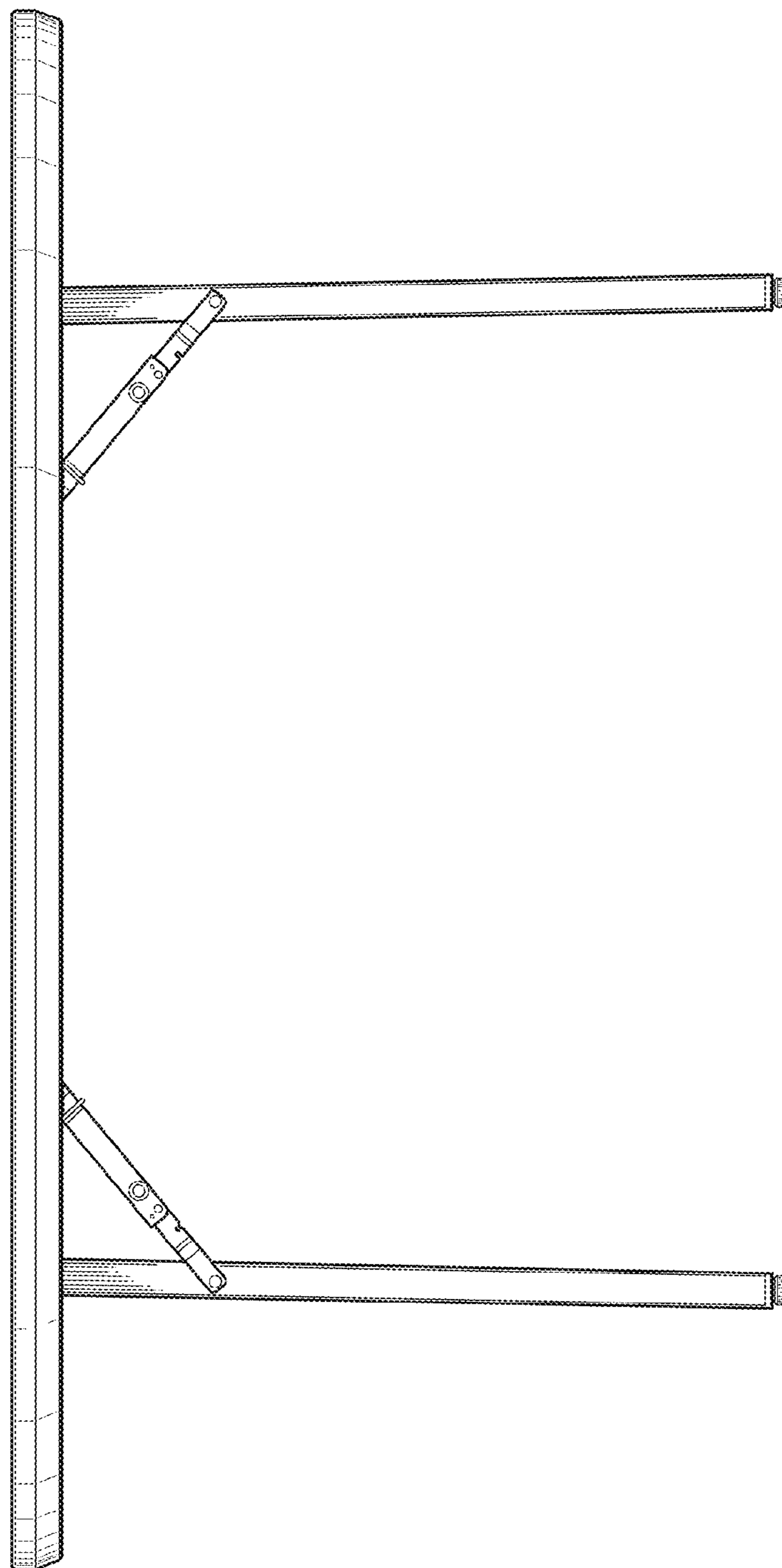


FIG. 2

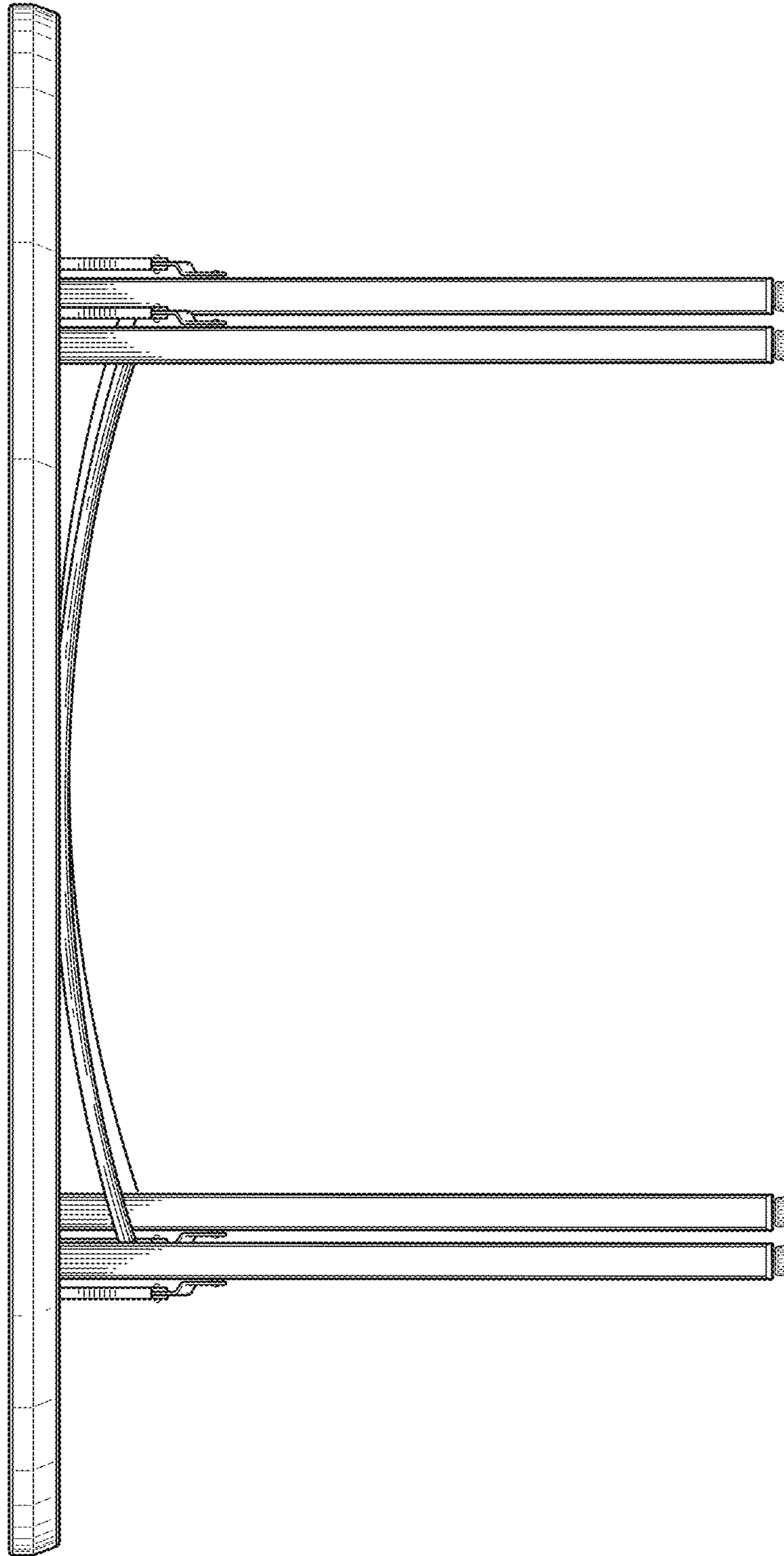


FIG. 3

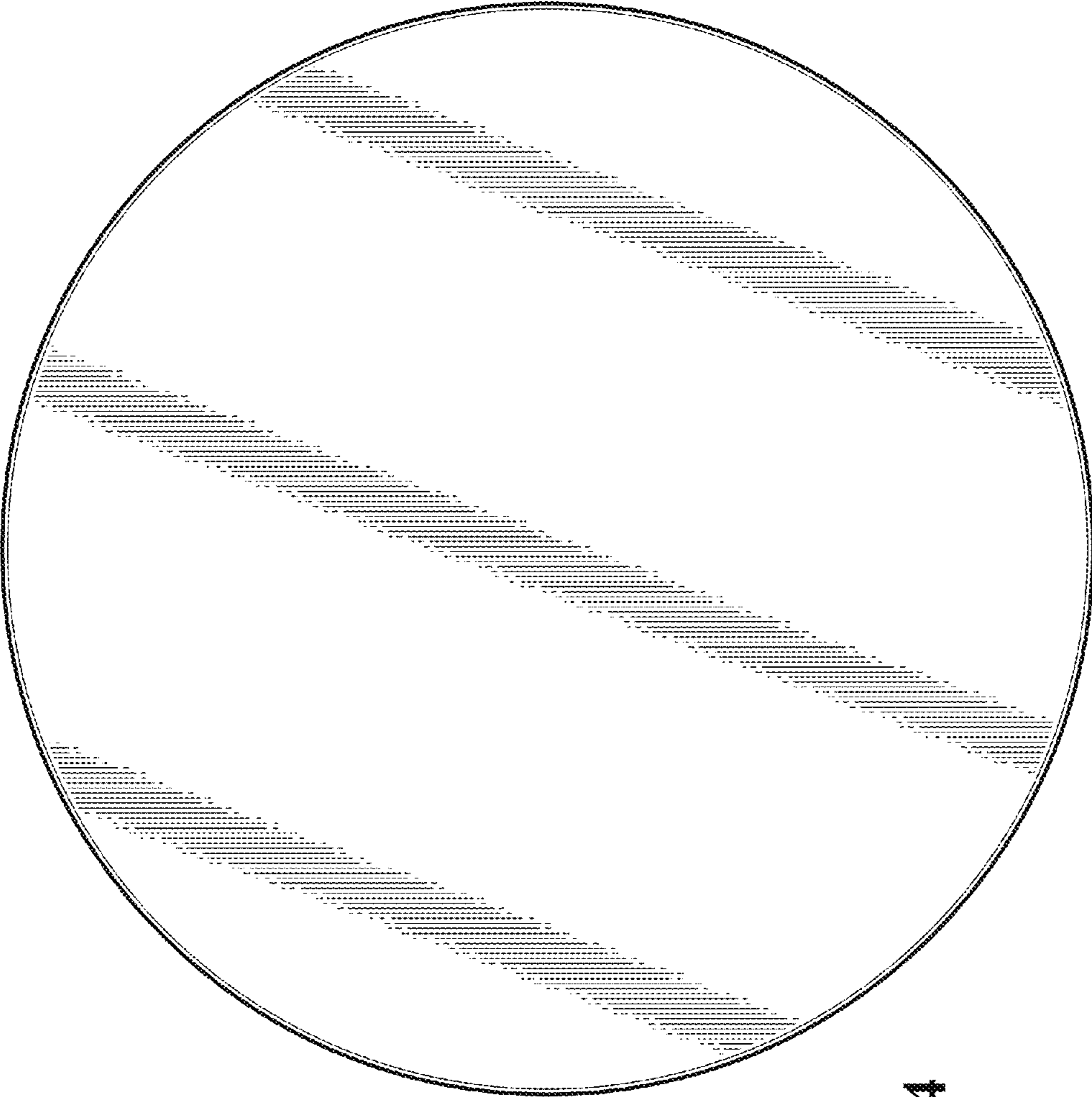


FIG. 4

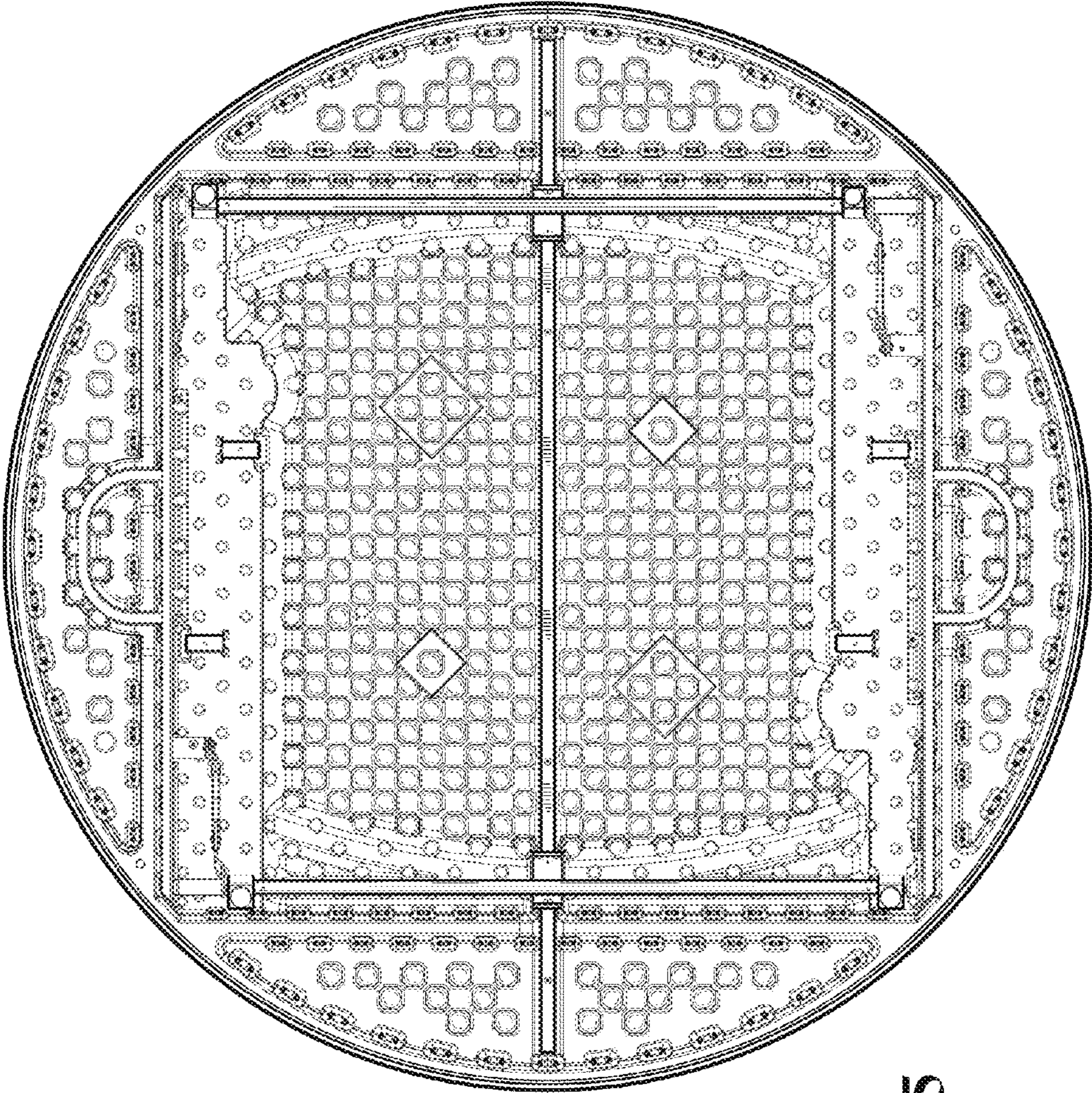


FIG. 5

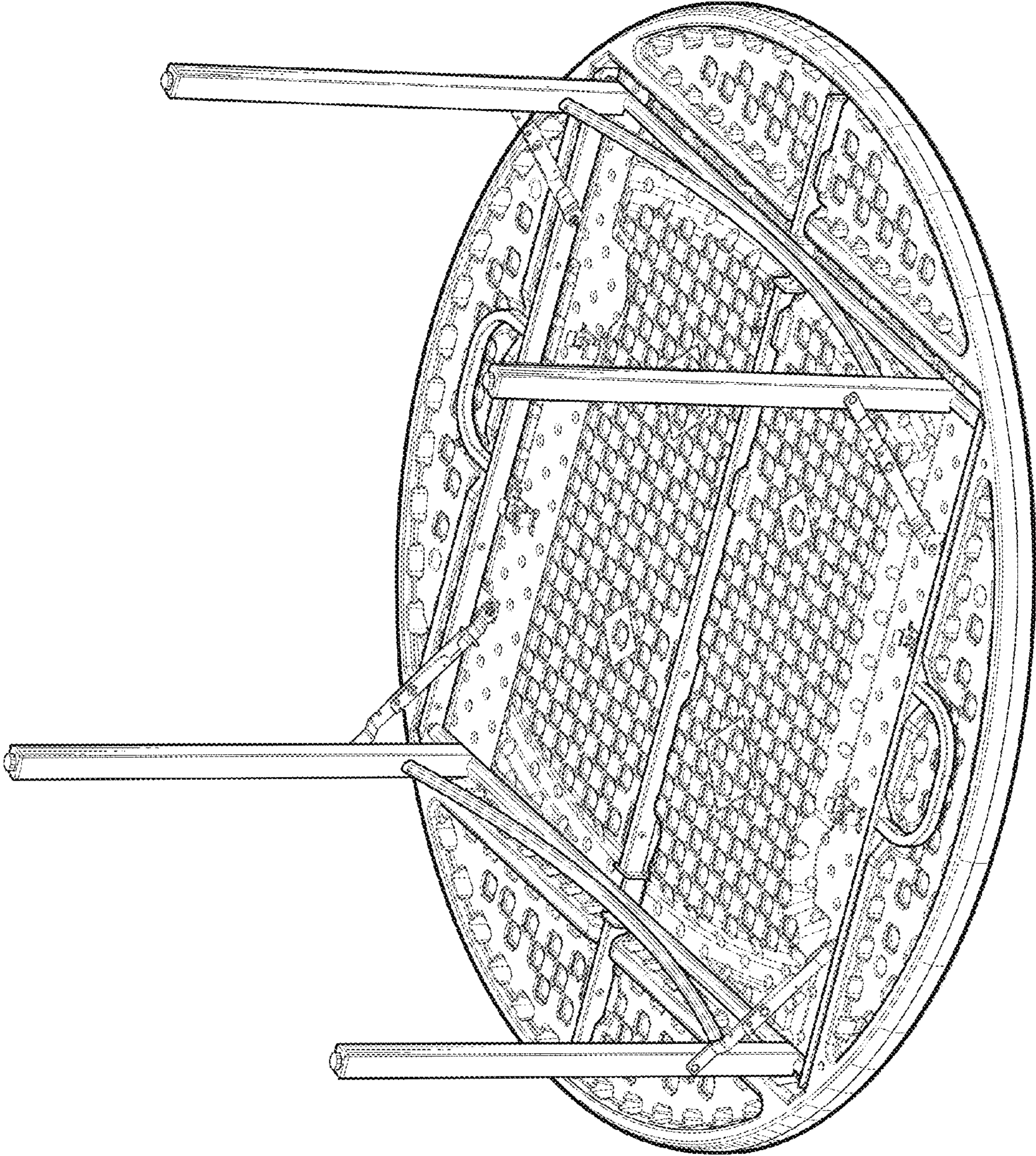


FIG. 6