



US00D742146S

(12) **United States Design Patent**  
**Lin**

(10) **Patent No.:** **US D742,146 S**  
(45) **Date of Patent:** **\*\* Nov. 3, 2015**

(54) **RECTANGULAR TABLE**

(71) Applicant: **Zhuhai Shichang Metals Ltd., Zhuahi**  
(CN)

(72) Inventor: **Wen-Sheng Lin, Kaohsiung (TW)**

(73) Assignee: **Zhuhai Shichang Metals Ltd. (CN)**

(\*\*) Term: **14 Years**

(21) Appl. No.: **29/486,796**

(22) Filed: **Apr. 2, 2014**

(51) **LOC (10) Cl.** ..... **06-03**

(52) **U.S. Cl.**  
USPC ..... **D6/691**

(58) **Field of Classification Search**  
USPC ..... D6/691, 691.6, 692, 692.4, 707.17, 656,  
D6/656.13  
CPC ..... A47B 3/00; A47B 3/0818; A47B 3/087  
See application file for complete search history.

(56) **References Cited**

**U.S. PATENT DOCUMENTS**

1,549,979 A \* 8/1925 Hofstad ..... 190/12 R  
D420,527 S \* 2/2000 Pinch et al. .... D6/691.6  
D476,169 S 6/2003 Buono

6,622,644 B2 9/2003 Buono  
D504,035 S \* 4/2005 Sun ..... D6/691  
7,621,224 B2 11/2009 Lin et al.  
2005/0155531 A1 \* 7/2005 Chang ..... 108/130  
2005/0160950 A1 \* 7/2005 Haney et al. .... 108/129  
2011/0203494 A1 \* 8/2011 Ashby et al. .... 108/127  
2013/0025509 A1 \* 1/2013 Jin et al. .... 108/166

\* cited by examiner

*Primary Examiner* — Janice Seeger

(74) *Attorney, Agent, or Firm* — Luedeka Neely Group, P.C.

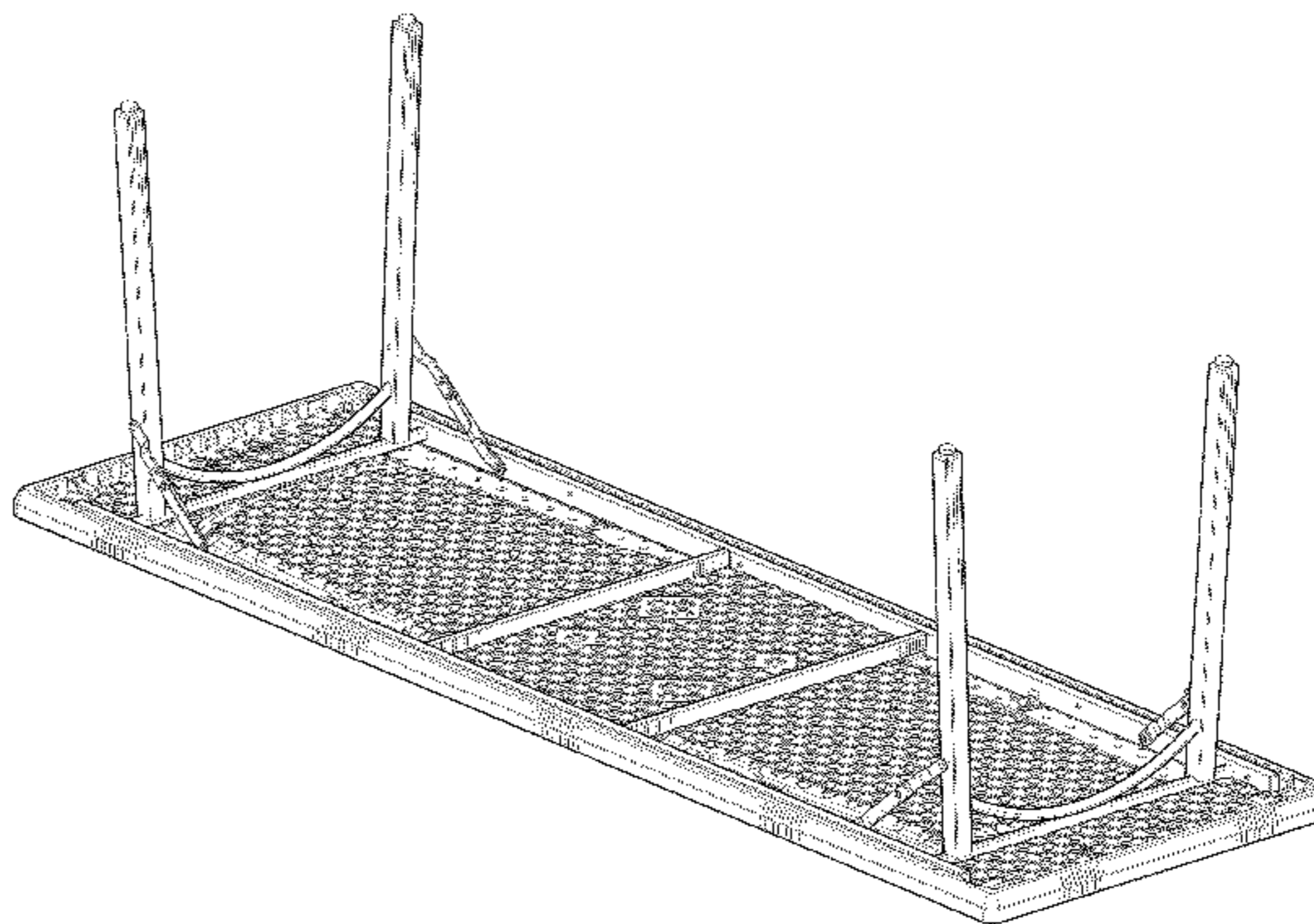
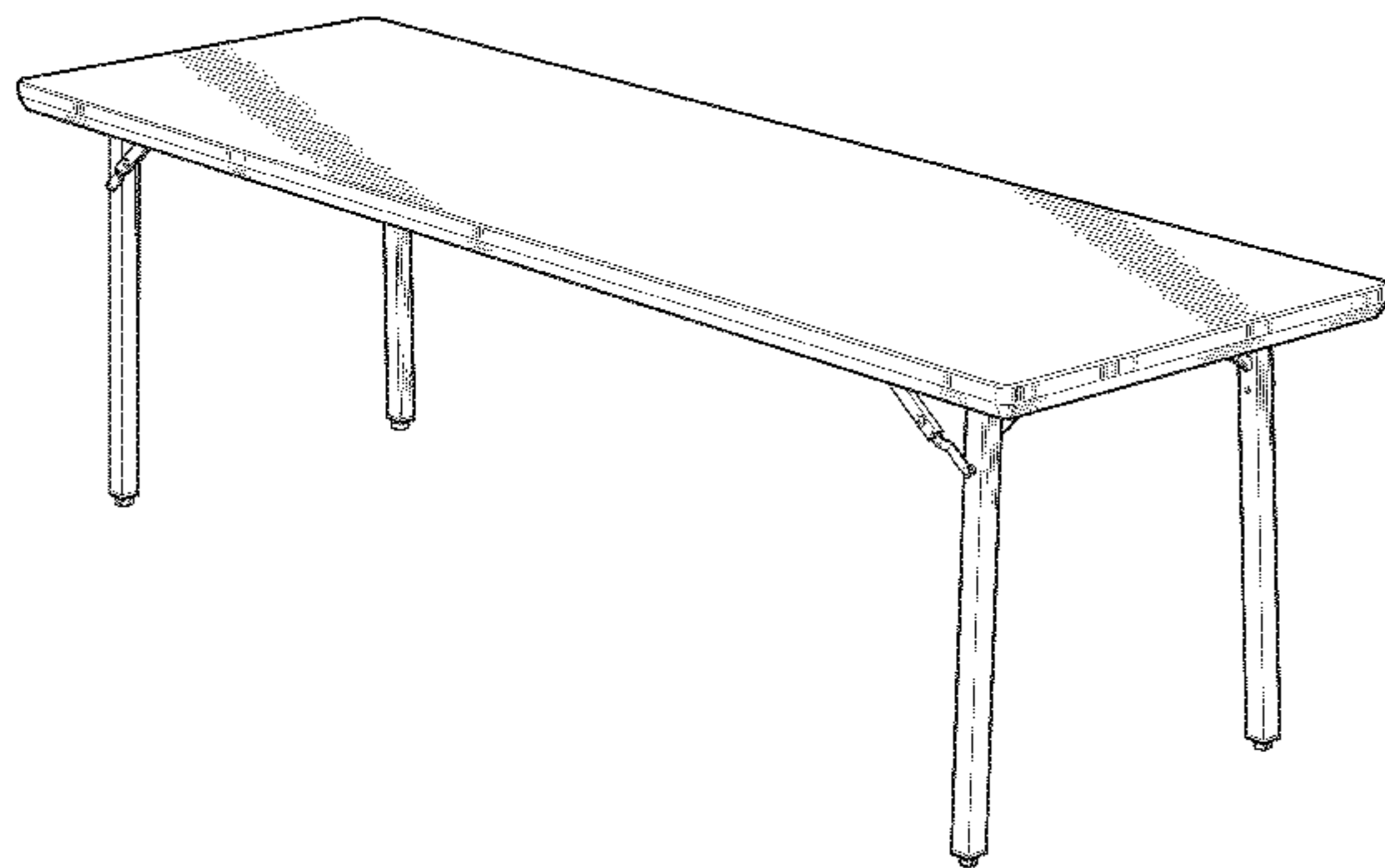
(57) **CLAIM**

The ornamental design for a rectangular table, as shown and described.

**DESCRIPTION**

FIG. 1 is a top perspective view of the rectangular table;  
FIG. 2 is a side plan view of the rectangular table, the opposite side being a mirror image;  
FIG. 3 is an end plan view of the rectangular table, the opposite end being a mirror image;  
FIG. 4 is a top plan view of the rectangular table;  
FIG. 5 is a bottom plan view of the rectangular table; and,  
FIG. 6 is a bottom perspective view of the rectangular table.

**1 Claim, 6 Drawing Sheets**



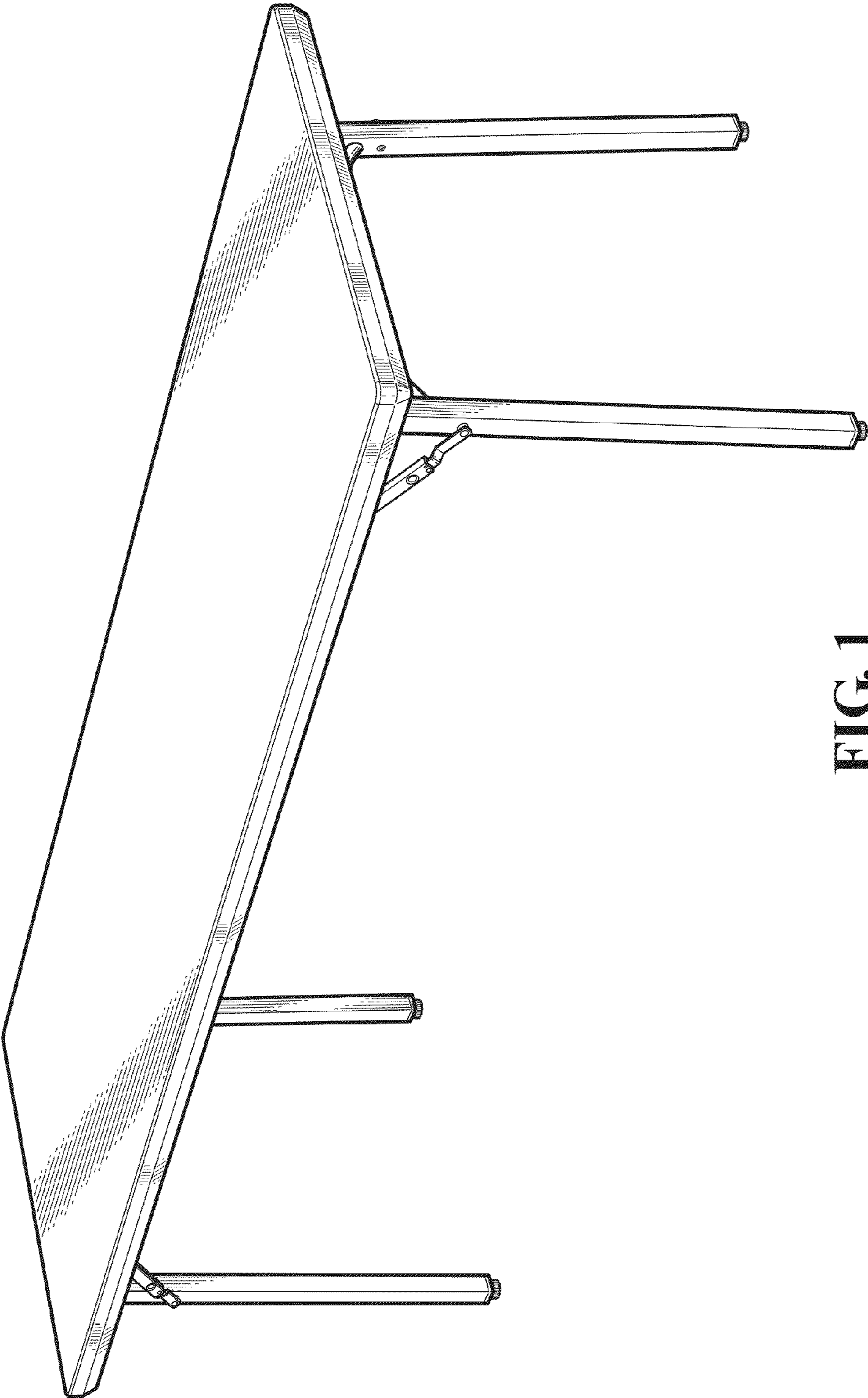


FIG. 1

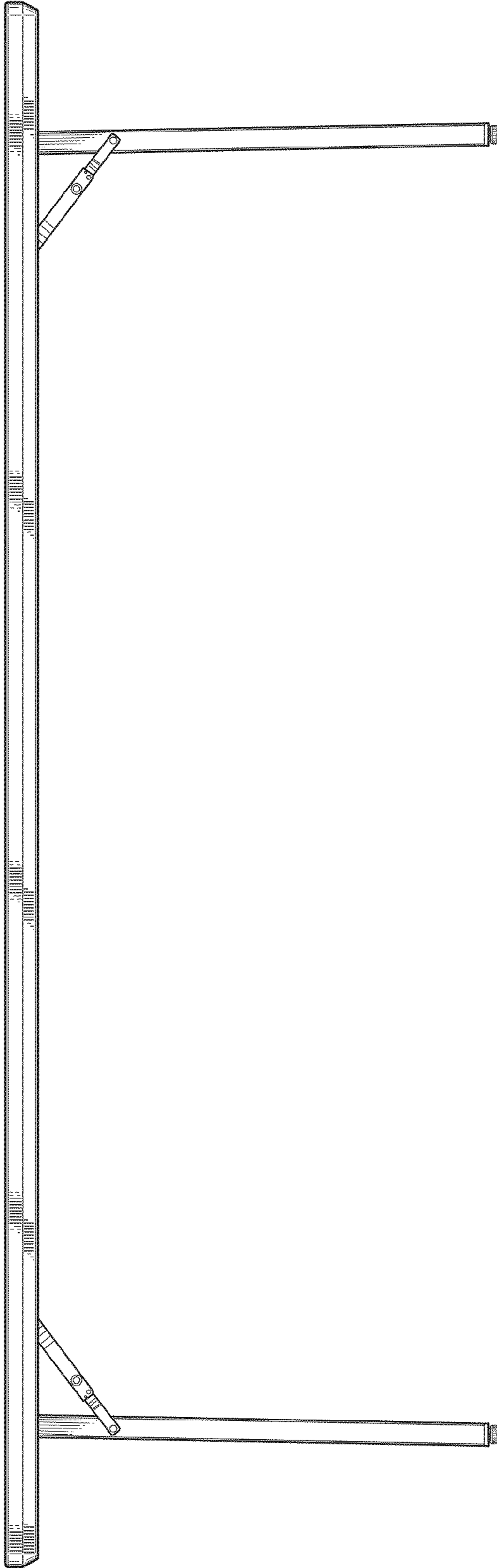


FIG. 2

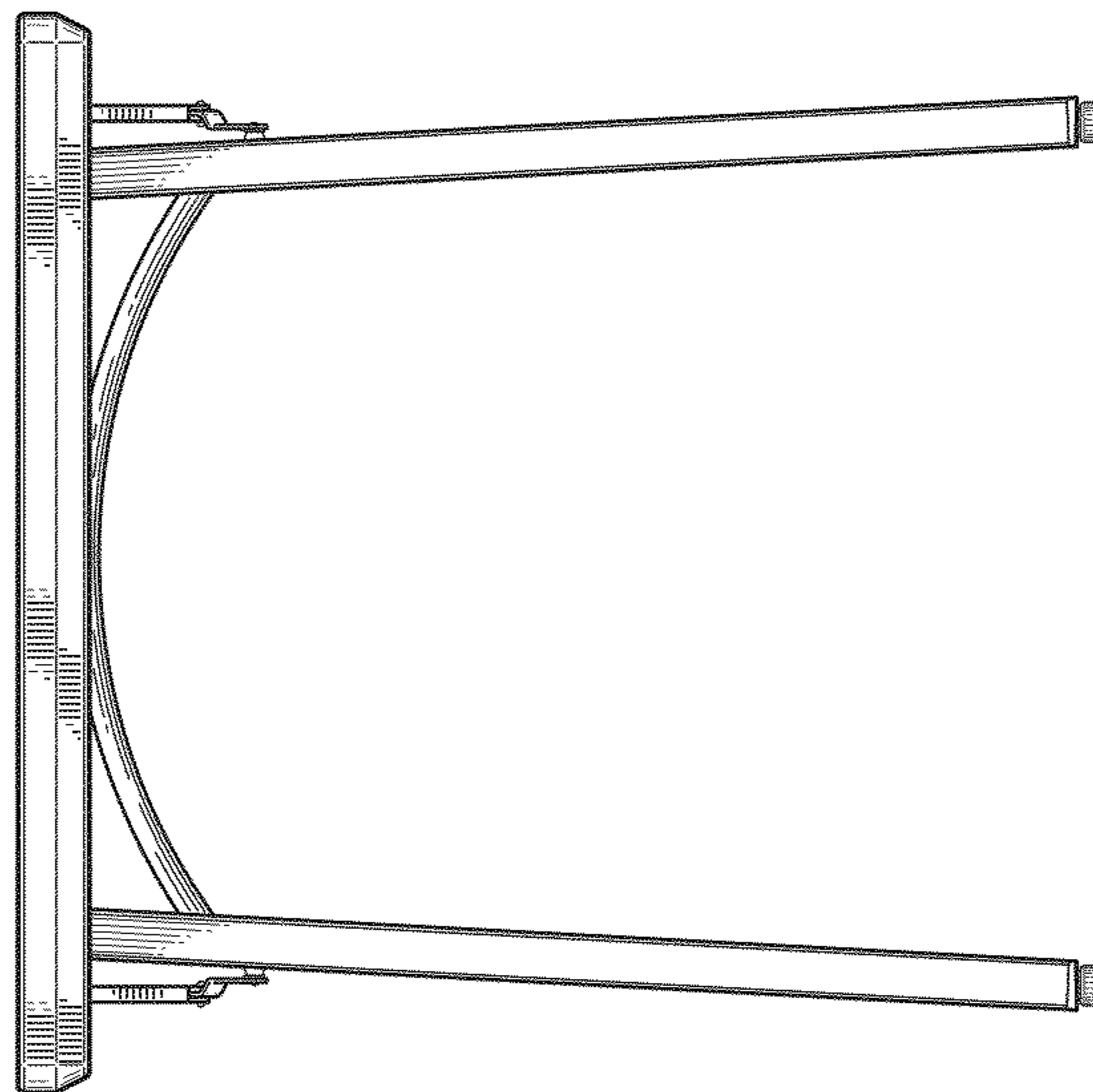
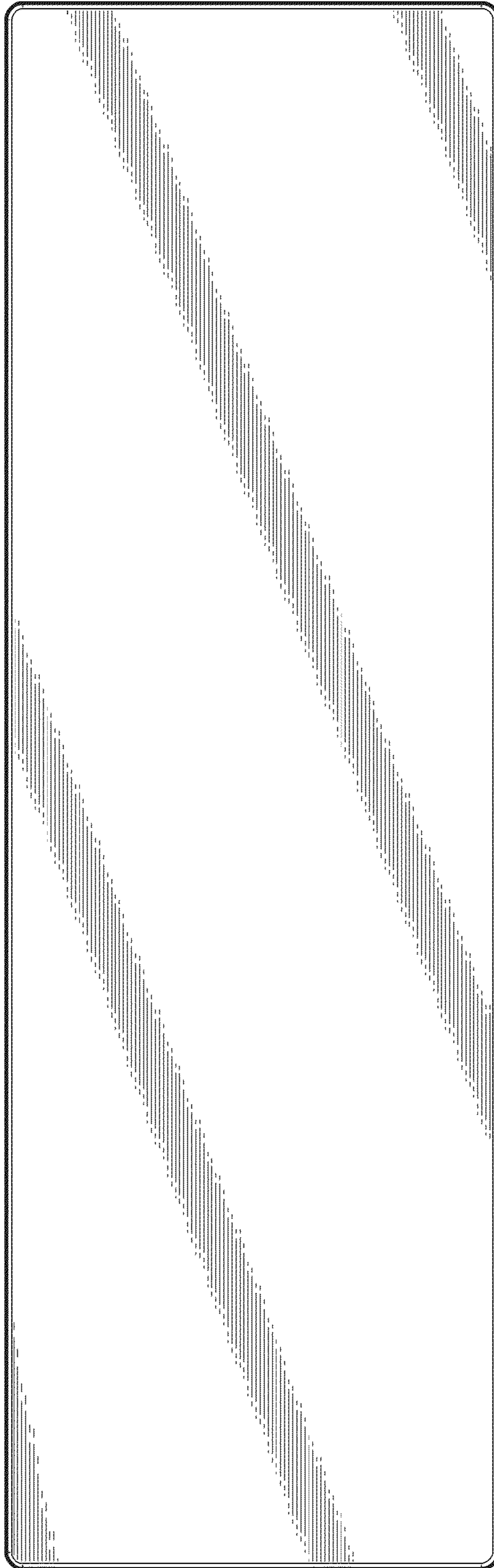


FIG. 3





**FIG. 4**



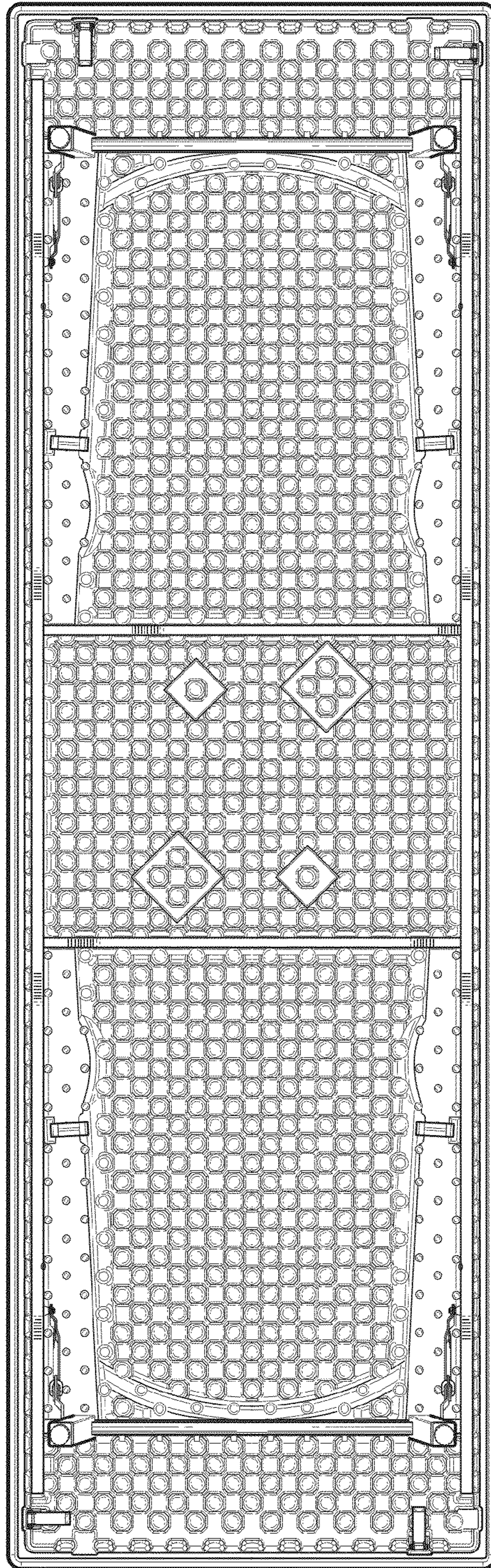


FIG. 5



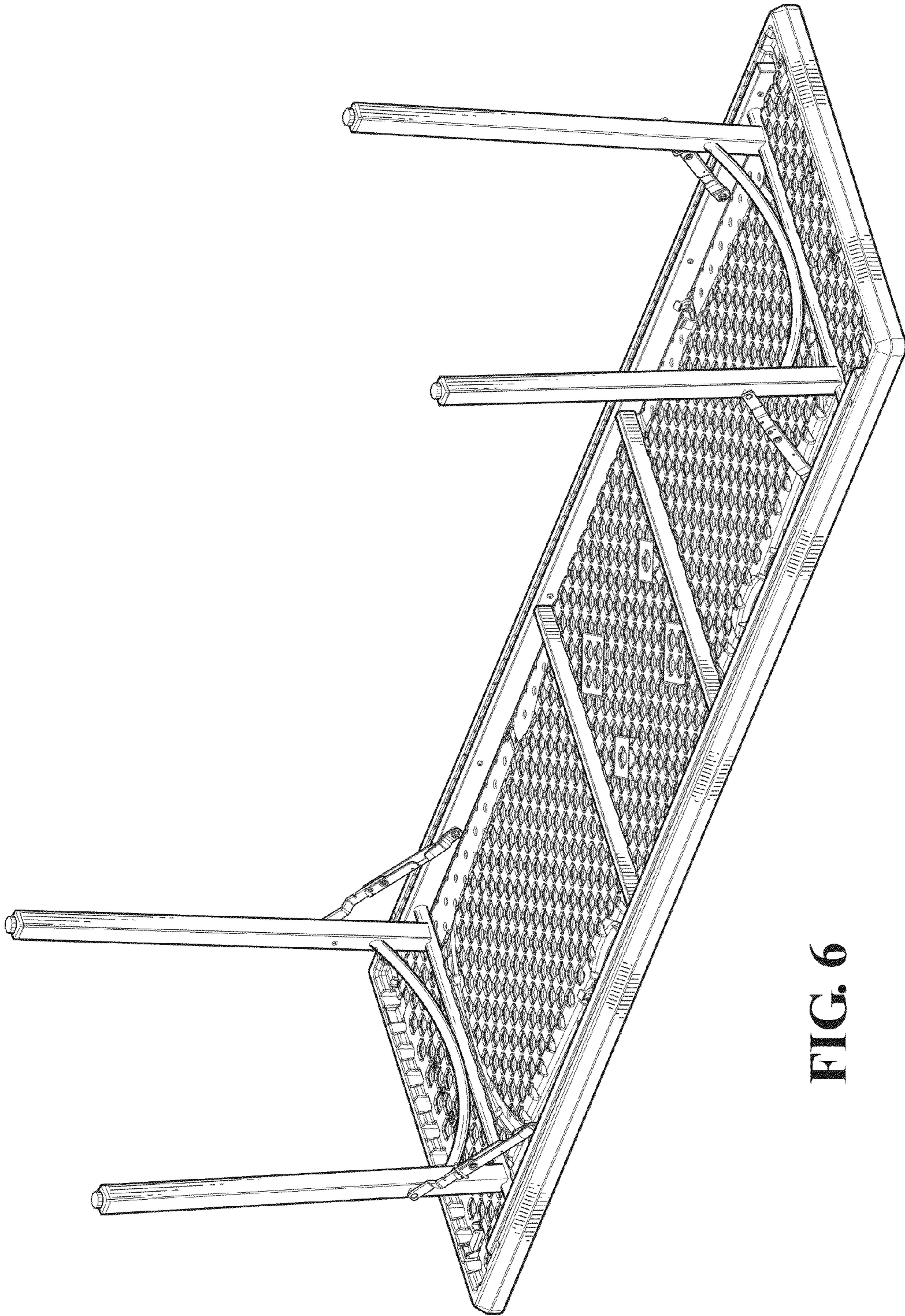


FIG. 6