



US00D742145S

(12) **United States Design Patent**
Hsu et al.

(10) **Patent No.:** **US D742,145 S**
(45) **Date of Patent:** **** Nov. 3, 2015**

(54) **ORGANIZER**

(71) Applicant: **SEVILLE CLASSICS, INC.**, Torrance, CA (US)

(72) Inventors: **Li-Han Hsu**, Torrance, CA (US);
Cynthia J. Luff, Redondo Beach, CA (US)

(73) Assignee: **Seville Classics, Inc.**, Torrance, CA (US)

(**) Term: **14 Years**

(21) Appl. No.: **29/487,891**

(22) Filed: **Apr. 14, 2014**

(51) **LOC (10) Cl.** **06-06**

(52) **U.S. Cl.**
USPC **D6/683.1**

(58) **Field of Classification Search**
USPC D6/408, 509–511, 566–567, 574, 672,
D6/675, 675.5, 682, 682.2, 682.4,
D6/683–683.1; 211/59.2–59.3, 90.03,
211/85.31, 85.26, 126.5, 126.9, 134, 153,
211/186–188, 181.1
CPC A47B 63/00; A47B 63/02; A47B 55/02;
A47F 7/0057; A47F 7/0064
See application file for complete search history.

(56) **References Cited**

U.S. PATENT DOCUMENTS

386,674	A *	7/1888	Wells	211/11
1,246,940	A *	11/1917	Safford	211/41.1
1,621,465	A *	3/1927	Hammes	211/44
D178,312	S *	7/1956	Schladermundt et al.	D6/476
D221,703	S *	8/1971	Fleming	D19/90
D231,178	S *	4/1974	Wright	D6/407
4,346,806	A *	8/1982	Bustos	211/59.4
D295,125	S *	4/1988	Chap	D7/601

D297,489	S *	9/1988	Chap et al.	D7/601
D311,837	S *	11/1990	Suttles	D6/571
D329,954	S *	10/1992	Sharon et al.	D6/675.5
D334,493	S *	4/1993	Penar	D6/678.4
D353,400	S *	12/1994	Goodman et al.	D19/90
D538,496	S *	3/2007	Plikuhn	D32/55
D567,540	S *	4/2008	Klein et al.	D6/678.4
D568,056	S *	5/2008	Yarborough	D6/317
D572,939	S *	7/2008	Murray	D6/678.4
D582,697	S *	12/2008	Goodman et al.	D6/678.4
D588,378	S *	3/2009	Goodman et al.	D7/704
D628,856	S *	12/2010	Wang et al.	D7/601
D639,613	S *	6/2011	Goodman et al.	D7/632
D670,339	S *	11/2012	Mitchell	D19/90
D677,077	S *	3/2013	Selby	D6/678.4
D707,474	S *	6/2014	Tsai	D6/678.4
D709,719	S *	7/2014	Hsu	D6/683.1
D723,344	S *	3/2015	Goodman et al.	D7/704
D729,021	S *	5/2015	Goodman et al.	D7/704
2003/0213759	A1 *	11/2003	Compagnucci	211/41.11
2014/0076921	A1 *	3/2014	Chen et al.	221/277
2014/0190917	A1 *	7/2014	Szpak et al.	211/134

* cited by examiner

Primary Examiner — Kelley Donnelly

(74) *Attorney, Agent, or Firm* — Raymond Sun

(57) **CLAIM**

The ornamental design for an organizer, as shown and described.

DESCRIPTION

FIG. 1 is a perspective view of an organizer showing our new design.

FIG. 2 is a front plan view thereof;

FIG. 3 is a right plan view thereof;

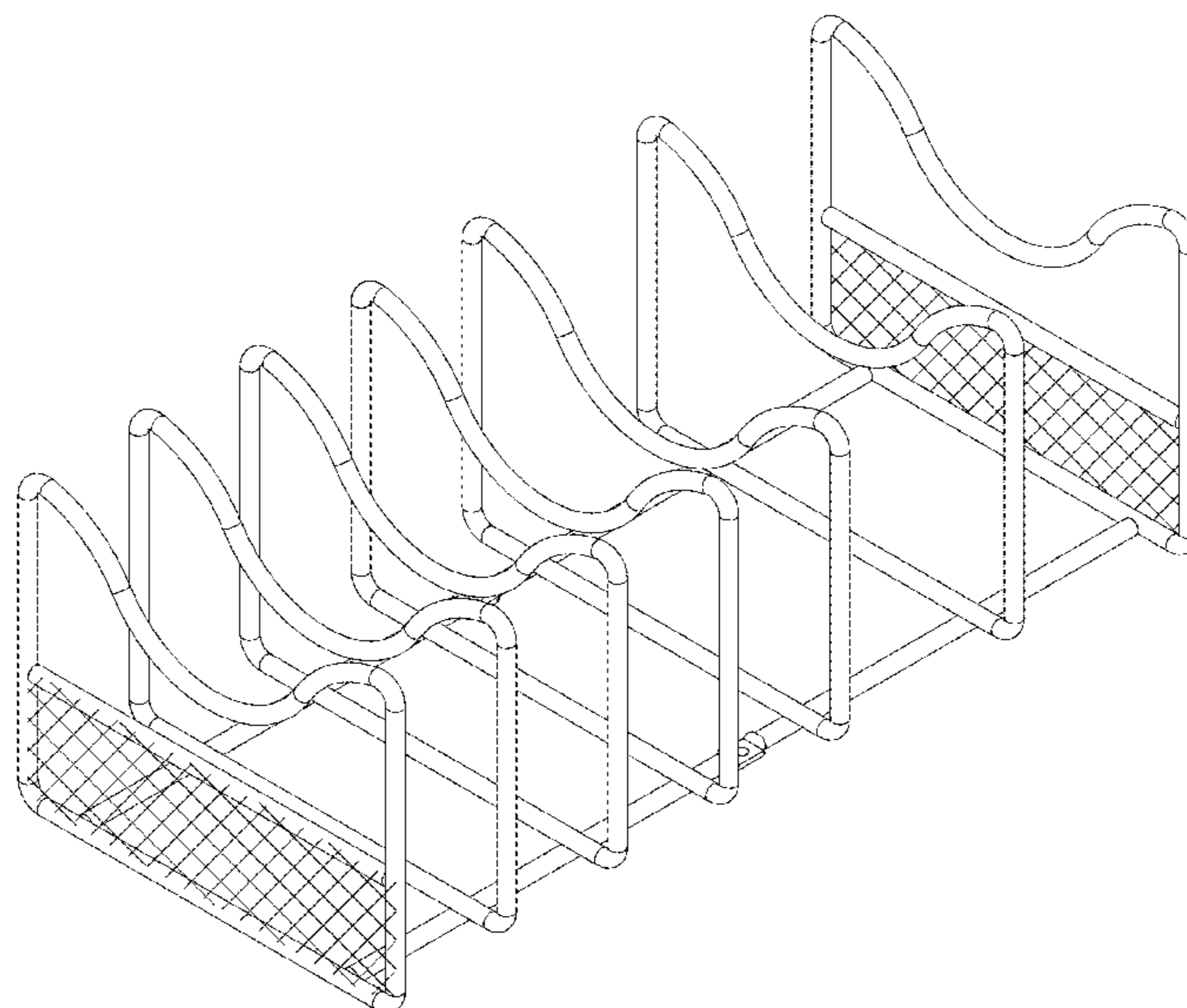
FIG. 4 is a left plan view thereof;

FIG. 5 is a top plan view thereof;

FIG. 6 is a bottom plan view thereof; and,

FIG. 7 is a rear plan view thereof.

1 Claim, 7 Drawing Sheets



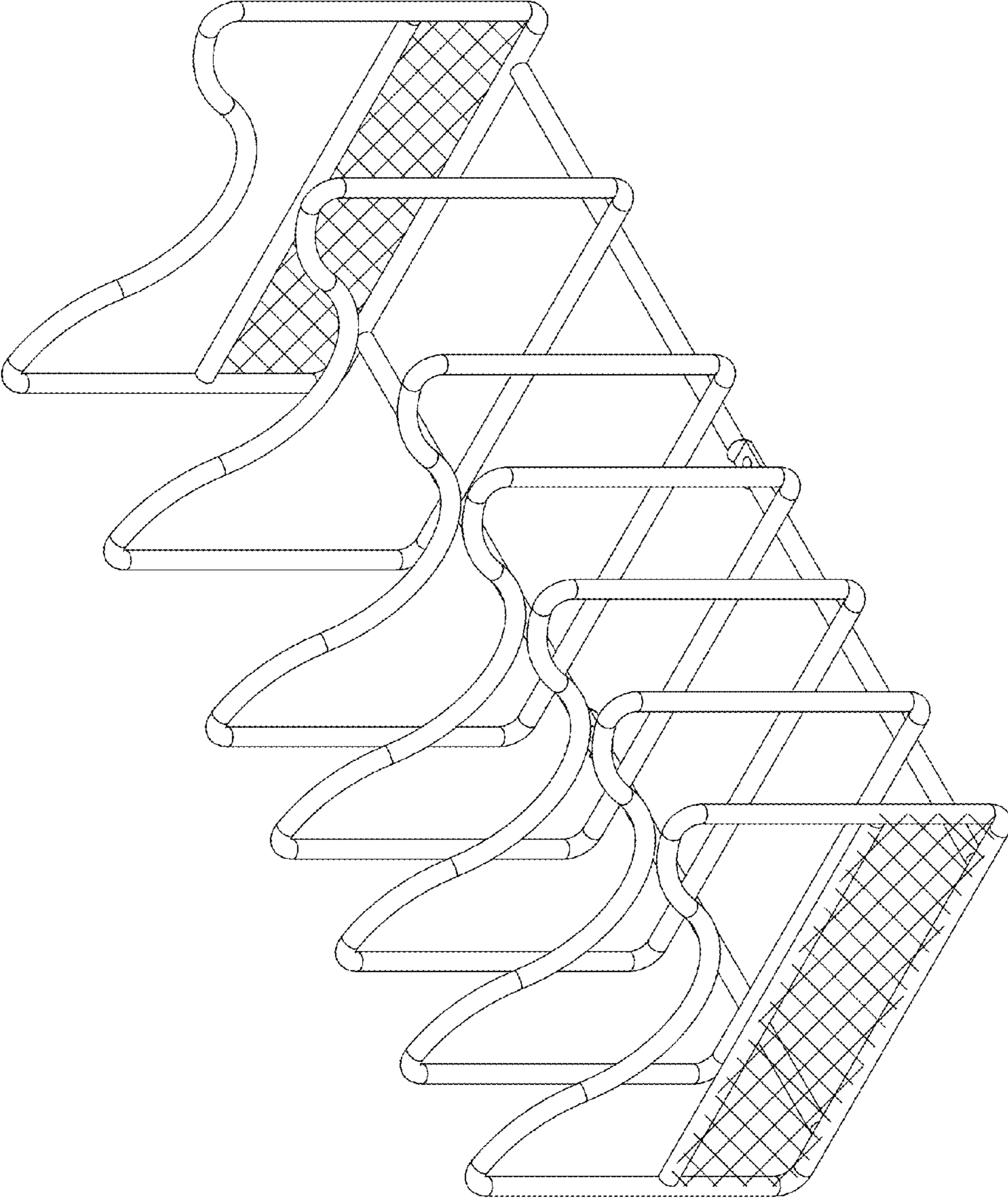


FIG. 1

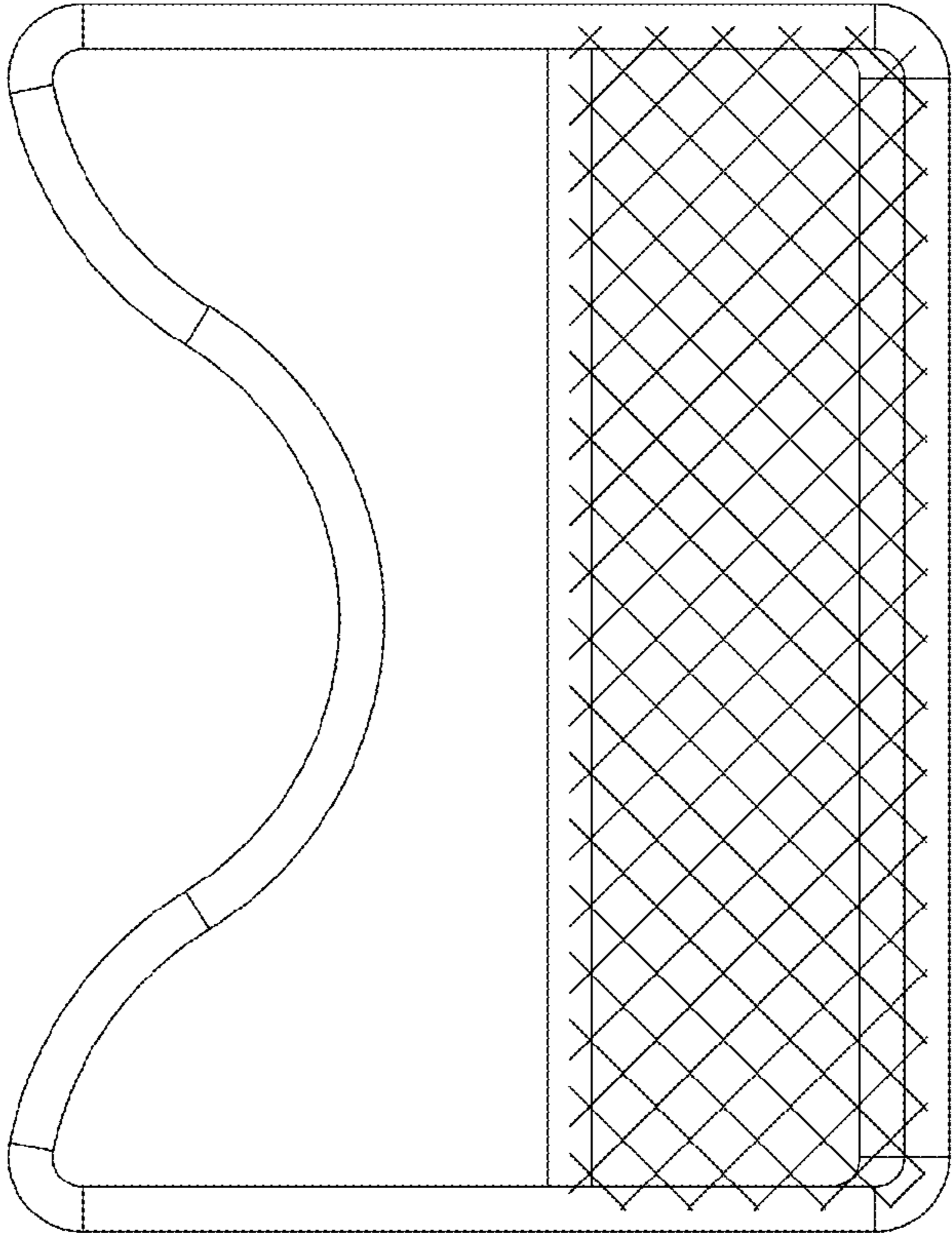


FIG. 2

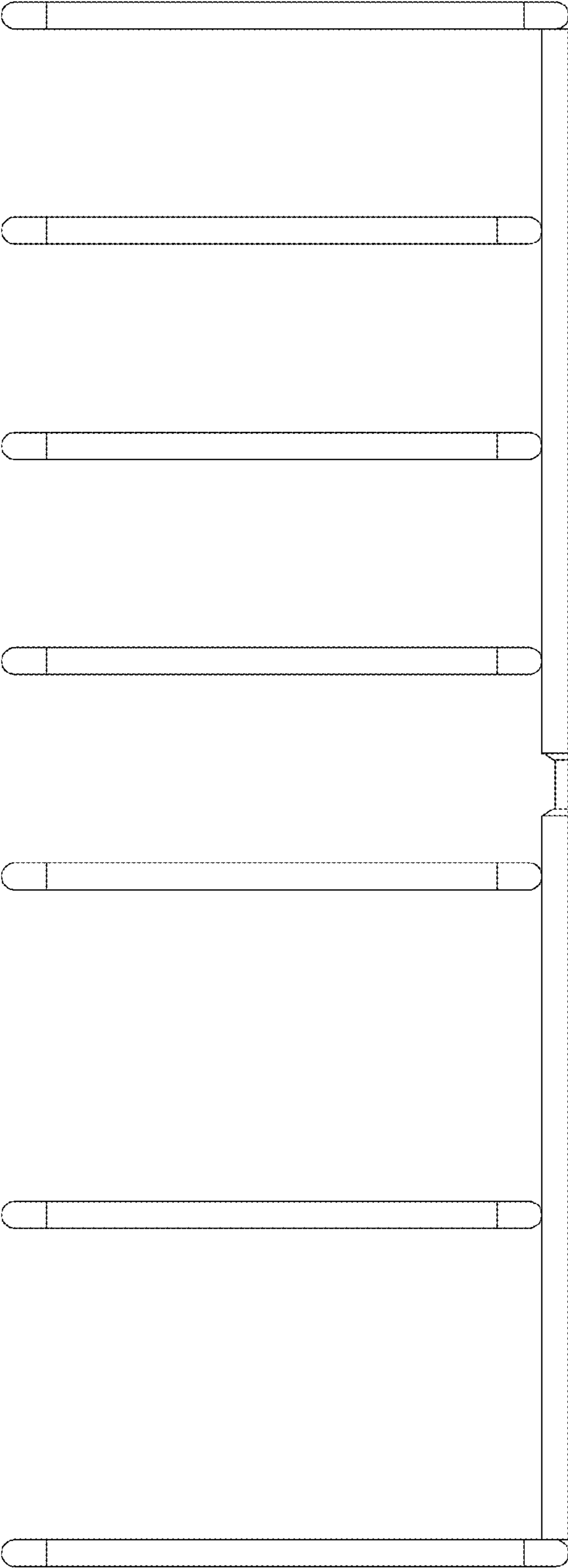


FIG. 3

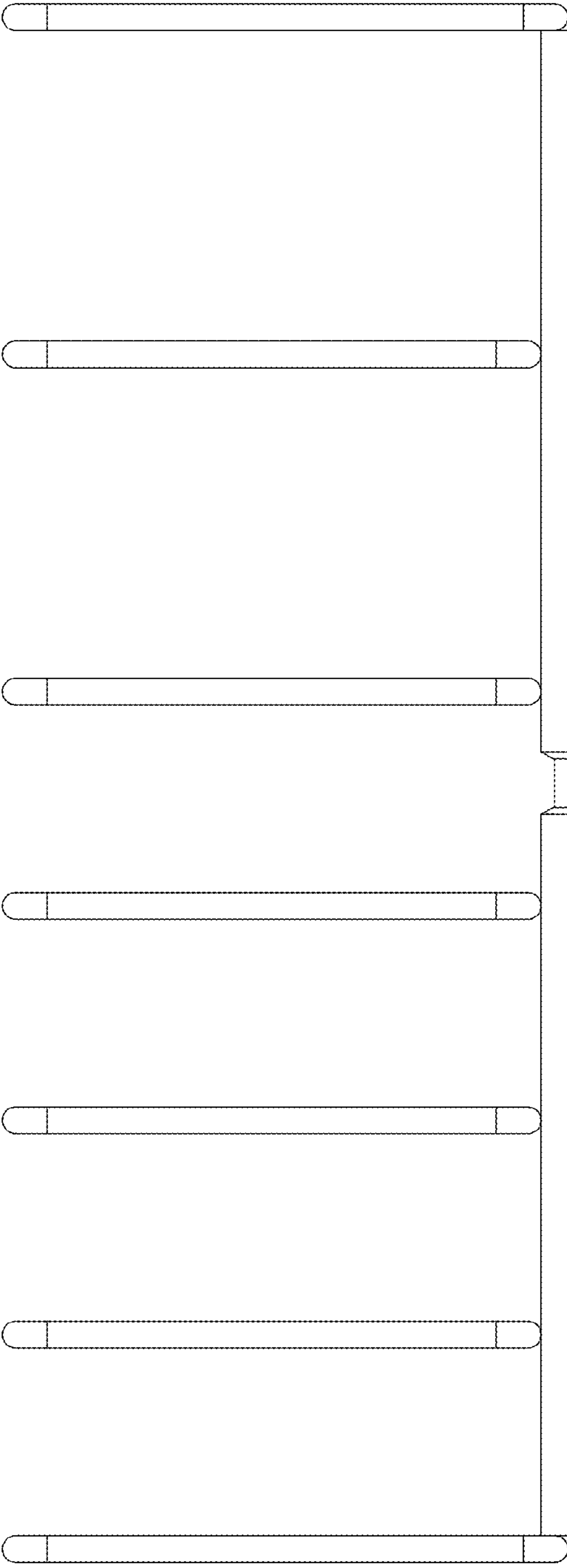


FIG. 4

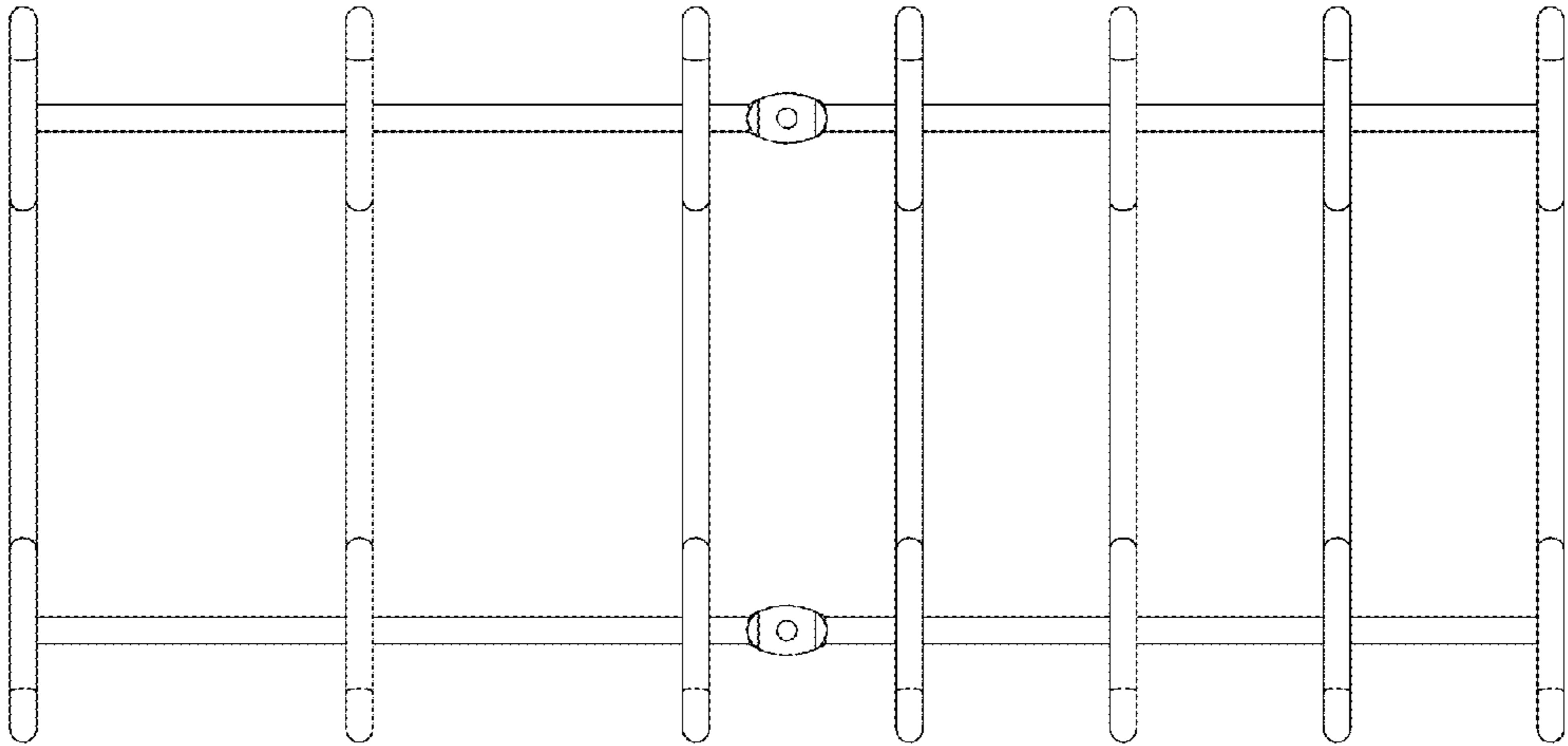


FIG. 5

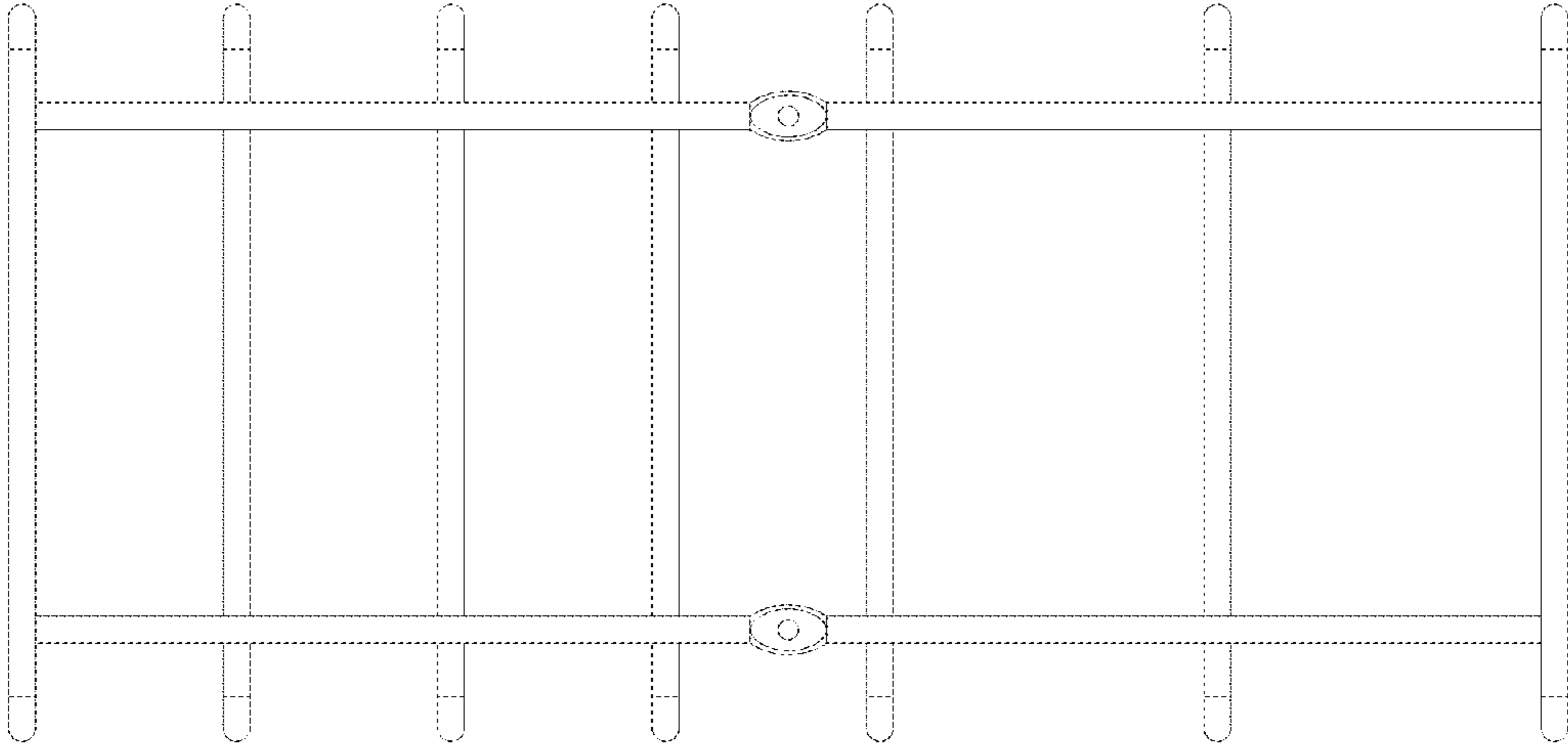


FIG. 6

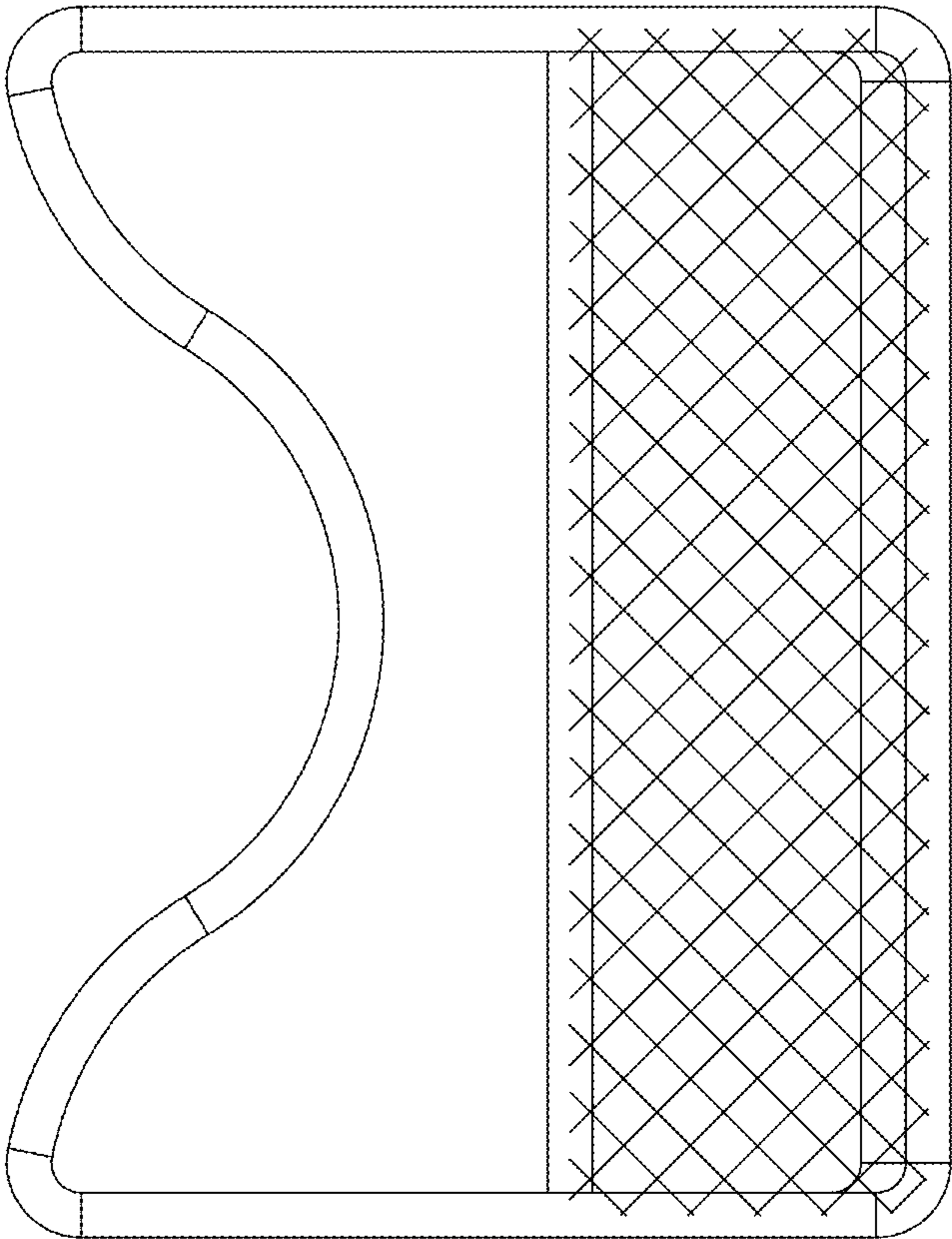


FIG. 7