



US00D742138S

(12) **United States Design Patent**
Chou

(10) **Patent No.:** **US D742,138 S**
(45) **Date of Patent:** **** Nov. 3, 2015**

(54) **RAINBOW BLIND STRUCTURE**
(71) Applicant: **Tser Wen Chou**, Taipei (TW)
(72) Inventor: **Tser Wen Chou**, Taipei (TW)
(**) Term: **14 Years**
(21) Appl. No.: **29/507,998**
(22) Filed: **Oct. 31, 2014**
(51) **LOC (10) Cl.** **06-10**
(52) **U.S. Cl.**
USPC **D6/580**
(58) **Field of Classification Search**
USPC D6/575, 576, 577, 578, 579, 580, 581;
D8/19, 349, 354, 363, 368, 369, 376,
D8/387, 395, 399; 160/84.01, 84.02,
160/84.03, 84.04, 84.05, 84.06, 84.07,
160/84.08, 107, 108, 111, 113, 130, 133,
160/166.1, 168.1 R, 330
CPC E06B 3/30; E06B 9/00; E06B 9/02;
E06B 9/24; E06B 9/262; A47H 1/00; A47H
1/02; A47H 21/00; A47H 23/00; A47H 23/02;
A47H 23/04; A47H 2001/0205; A47H
2023/025
See application file for complete search history.

6,527,034 B1 * 3/2003 Liu 160/177 R
6,582,794 B1 * 6/2003 Fransen 428/101
D486,340 S * 2/2004 Sudano D6/577
D491,055 S * 6/2004 Chou D8/382
D530,558 S * 10/2006 Damiano D6/580
7,174,940 B2 * 2/2007 Nien 160/120
7,438,115 B2 * 10/2008 Bohlen 160/238
D592,944 S * 5/2009 Kollman et al. D8/376
D600,401 S * 9/2009 Varrin D26/138
D639,098 S * 6/2011 Bosgoed D6/580
D692,685 S * 11/2013 Chou D6/580
8,646,509 B2 * 2/2014 Chu 160/123
2009/0205791 A1 * 8/2009 Sans Folch 160/368.1
2012/0097346 A1 * 4/2012 Ng 160/264
2014/0251558 A1 * 9/2014 Chou 160/323.1
2014/0367052 A1 * 12/2014 Cha 160/84.01
2015/0075726 A1 * 3/2015 Byun 160/84.04

* cited by examiner

Primary Examiner — Karen S Acker
Assistant Examiner — Wendy Arminio
(74) *Attorney, Agent, or Firm* — Guice Patents PLLC

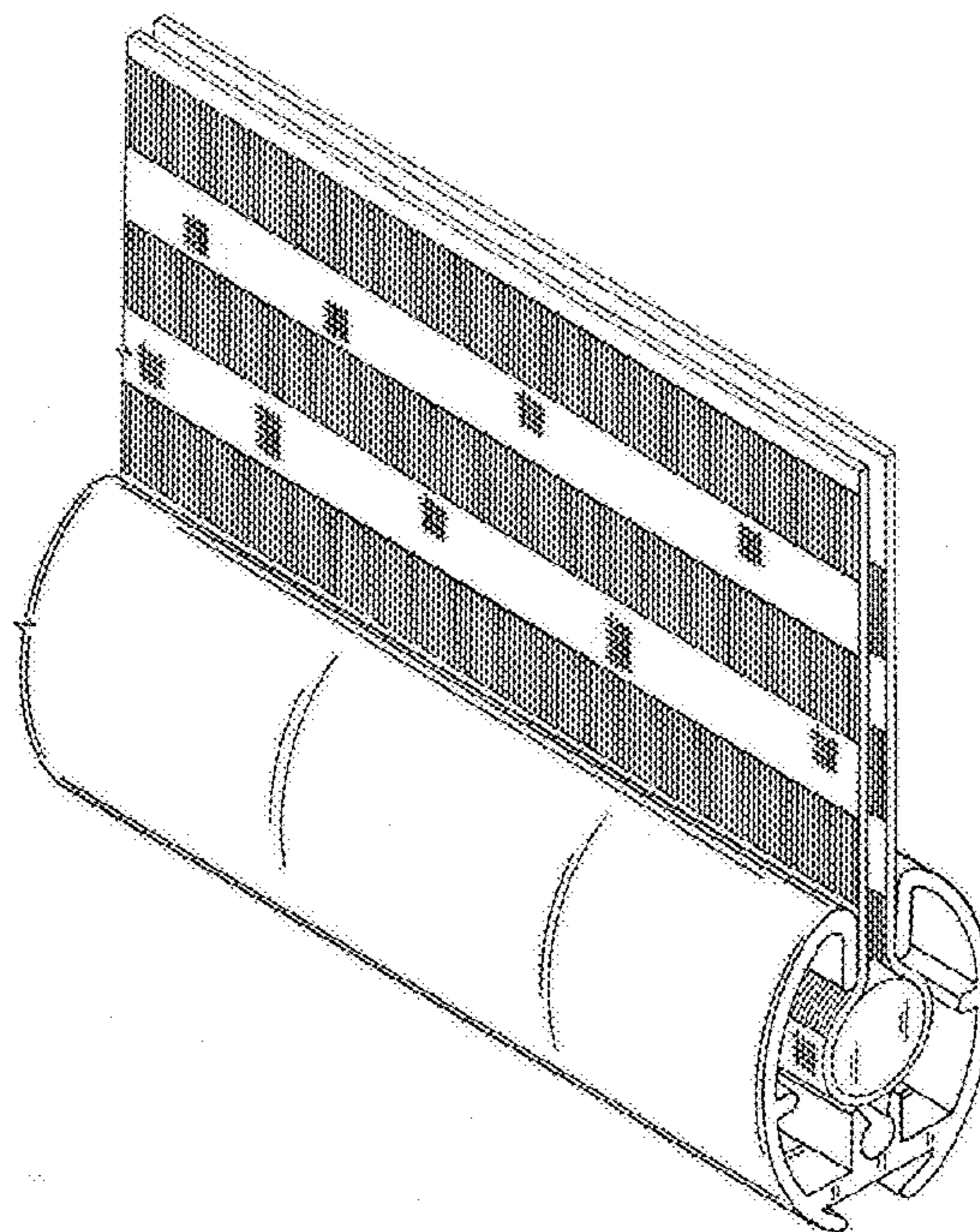
(57) **CLAIM**
The ornamental design for a rainbow blind structure, as shown and described.

DESCRIPTION

FIG. 1 is a perspective view of a rainbow blind structure;
FIG. 2 is a front view thereof;
FIG. 3 is a rear view thereof;
FIG. 4 is a left side view thereof;
FIG. 5 is a right side view thereof;
FIG. 6 is a top view thereof; and,
FIG. 7 is a bottom view thereof.

1 Claim, 4 Drawing Sheets

(56) **References Cited**
U.S. PATENT DOCUMENTS
2,029,675 A * 2/1936 Schlamp 160/121.1
5,573,052 A * 11/1996 Liu 160/177 R
6,095,222 A * 8/2000 Voss 160/84.05
6,189,592 B1 * 2/2001 Domel 160/85
6,279,642 B1 * 8/2001 Liu 160/177 R



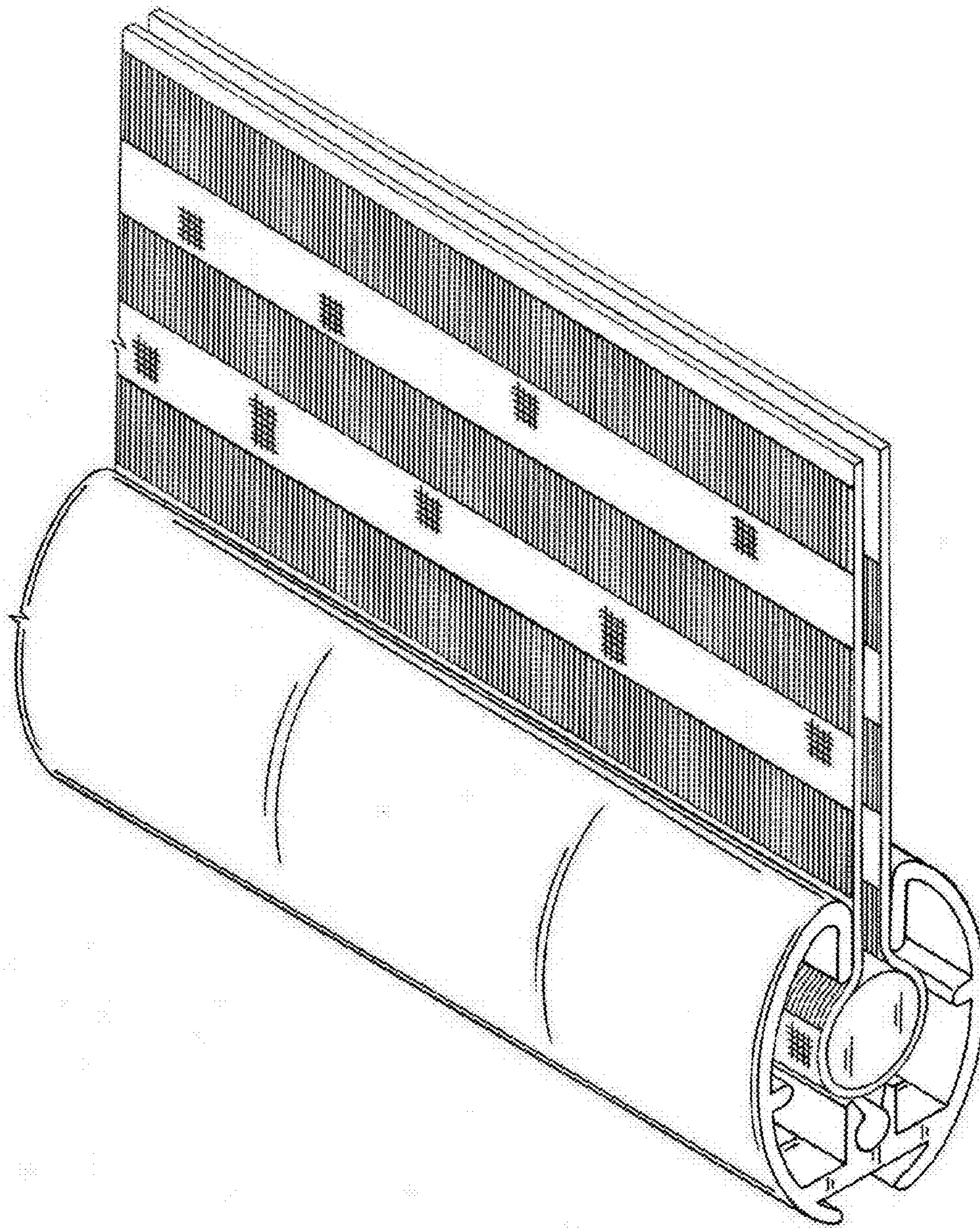


FIG. 1

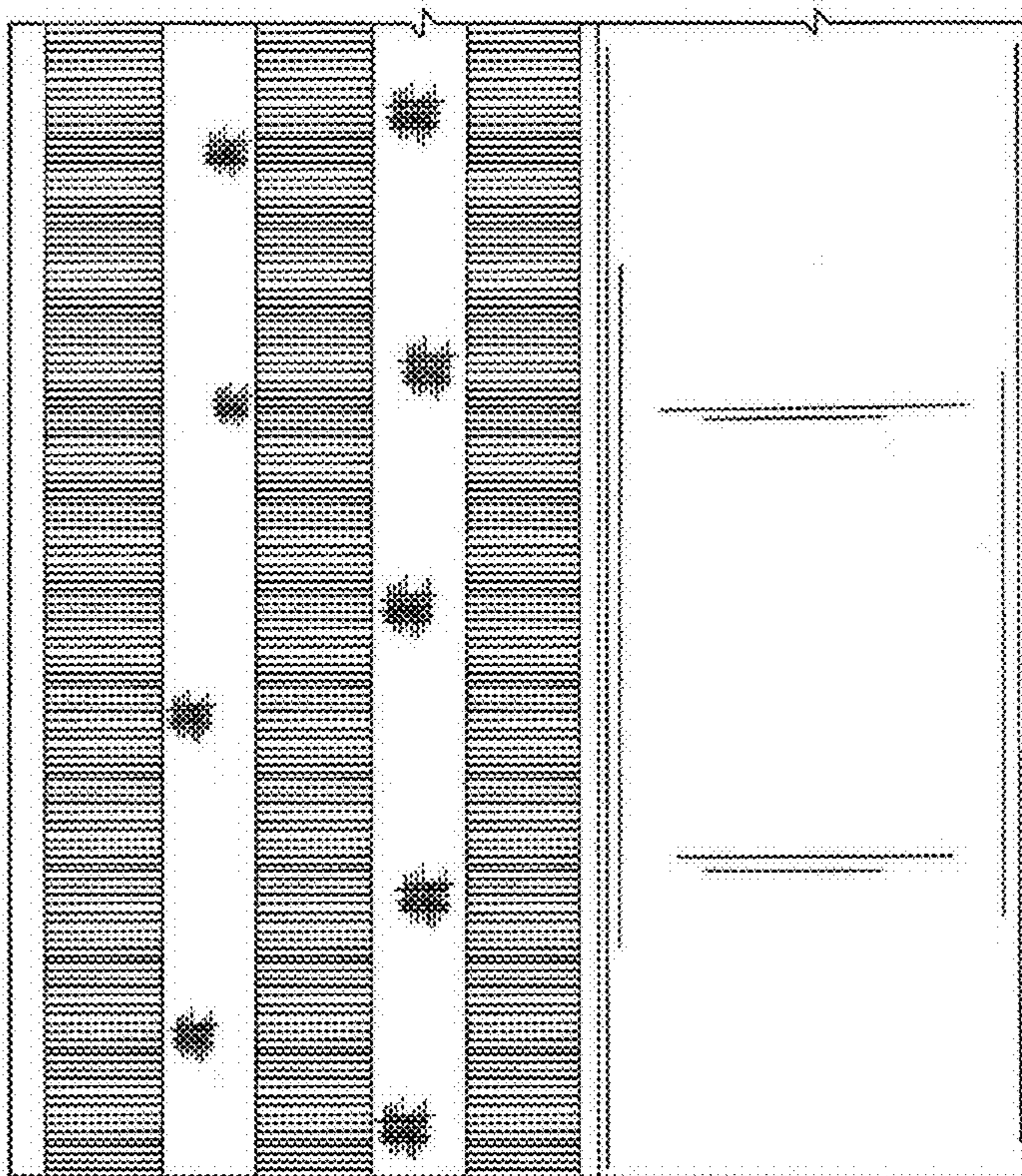


FIG.3

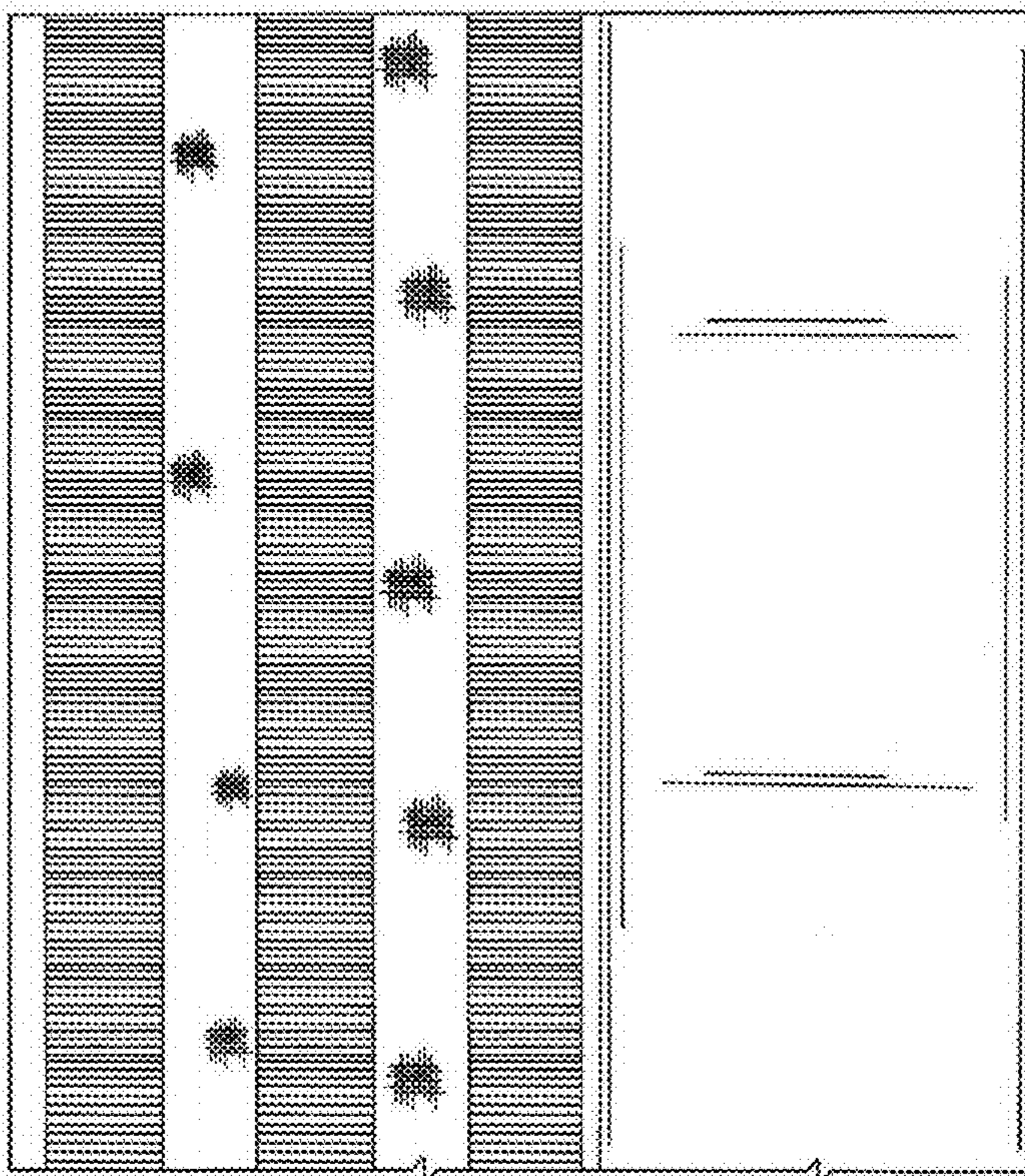


FIG.2

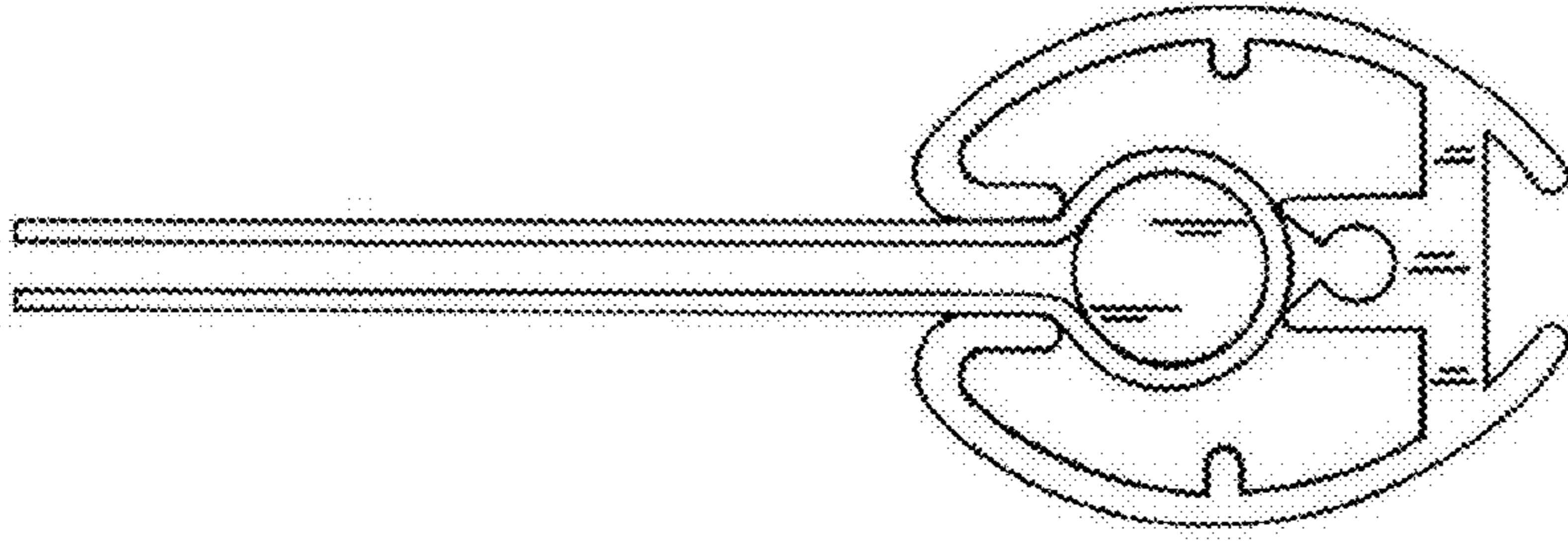


FIG.5

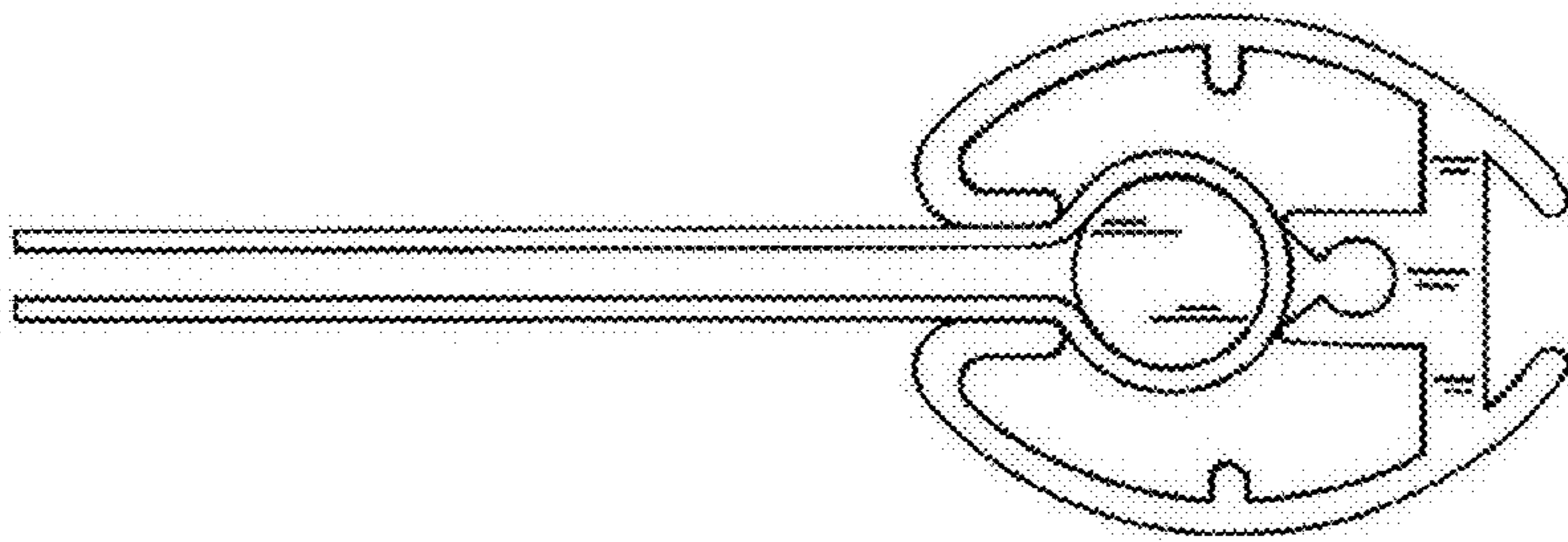


FIG.4

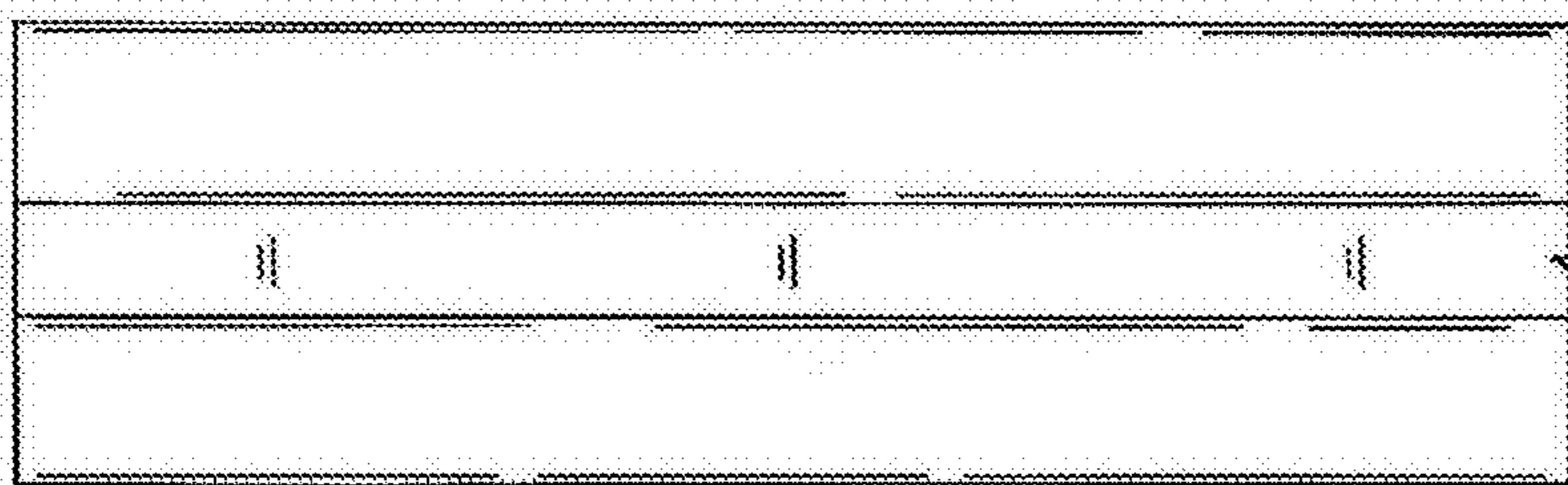


FIG. 7

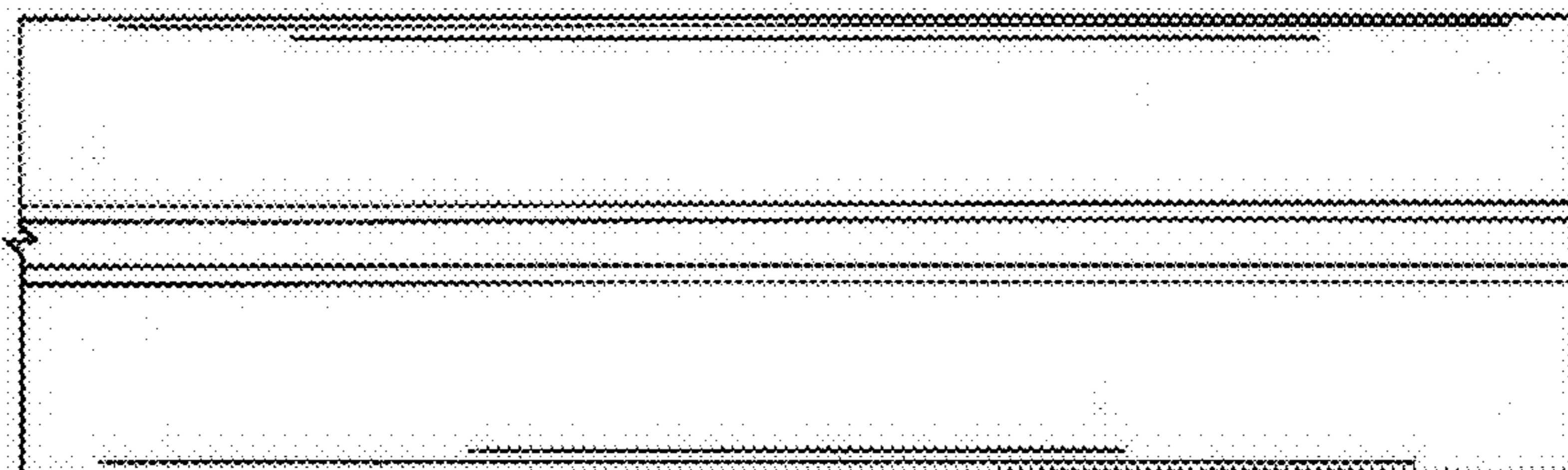


FIG. 6