



US00D742134S

(12) **United States Design Patent**
Miller et al.

(10) **Patent No.:** **US D742,134 S**
(45) **Date of Patent:** **** Nov. 3, 2015**

(54) **FURNITURE**

(71) Applicant: **Poppin, Inc.**, New York, NY (US)

(72) Inventors: **Jeffrey Frederick Miller**, New York, NY (US); **Matteo Bonacina**, New York, NY (US); **Jason Caleb Zipperer**, Brooklyn, NY (US)

(73) Assignee: **Poppin, Inc.**, New York, NY (US)

(**) Term: **14 Years**

(21) Appl. No.: **29/517,626**

(22) Filed: **Feb. 13, 2015**

(51) **LOC (10) Cl.** **06-01**

(52) **U.S. Cl.**
USPC **D6/381**

(58) **Field of Classification Search**
USPC D6/334–338, 349, 355, 361, 368–370, D6/376, 379–381, 716, 716.1, 716.2, 340, D6/354, 377; 297/16.1, 42, 94, 135, 175, 297/232, 233, 350, 351, 445.1, 448.1, 297/448.2, 451.9; 5/12.1, 12.2

CPC A47C 1/02; A47C 7/24; A47C 17/00; A47C 17/02; A47C 17/04; A47C 17/045; A47C 17/12; A47C 17/132; A47C 17/136

See application file for complete search history.

(56) **References Cited**

U.S. PATENT DOCUMENTS

D132,793 S *	6/1942	Reiss	D6/364
D148,242 S *	12/1947	Horsewood	D6/336
D239,671 S *	4/1976	Offredi	D6/371
D244,894 S *	7/1977	Tillberg	D6/381
D253,326 S *	11/1979	Brukoff	D6/377
D261,953 S *	11/1981	Aronowitz et al.	D6/364
D261,954 S *	11/1981	Aronowitz et al.	D6/364
D261,955 S *	11/1981	Aronowitz et al.	D6/364
D262,163 S *	12/1981	Aronowitz et al.	D6/364

D262,164 S *	12/1981	Aronowitz et al.	D6/364
D262,166 S *	12/1981	Aronowitz et al.	D6/378
D262,421 S *	12/1981	Aronowitz et al.	D6/364
D264,027 S *	4/1982	Aronowitz et al.	D6/364
D278,003 S *	3/1985	Gagliano	D6/336
D284,142 S *	6/1986	Rafferty	D6/334
D336,377 S *	6/1993	Gibson	D6/334
D384,827 S *	10/1997	Hutton	D6/334
D433,825 S *	11/2000	Piretti	D6/334
D469,968 S *	2/2003	Van Den Reek	D6/370
D488,315 S *	4/2004	Natuzzi	D6/381

(Continued)

OTHER PUBLICATIONS

Cezign, www.cezign.com/zig-creations.html, accessed Dec. 15, 2014, 1 page.

(Continued)

Primary Examiner — Sandra Snapp

(74) *Attorney, Agent, or Firm* — K&L Gates LLP

(57) **CLAIM**

The ornamental design for furniture, as shown and described.

DESCRIPTION

FIG. 1 illustrates a front perspective view of furniture in the form of a couch;

FIG. 2 illustrates a front elevation view thereof;

FIG. 3 illustrates a back elevation view thereof;

FIG. 4 illustrates a side elevation view thereof;

FIG. 5 illustrates a top plan view thereof;

FIG. 6 illustrates a bottom plan view thereof;

FIG. 7 illustrates a front perspective view of furniture in the form of a chair;

FIG. 8 illustrates a front elevation view thereof;

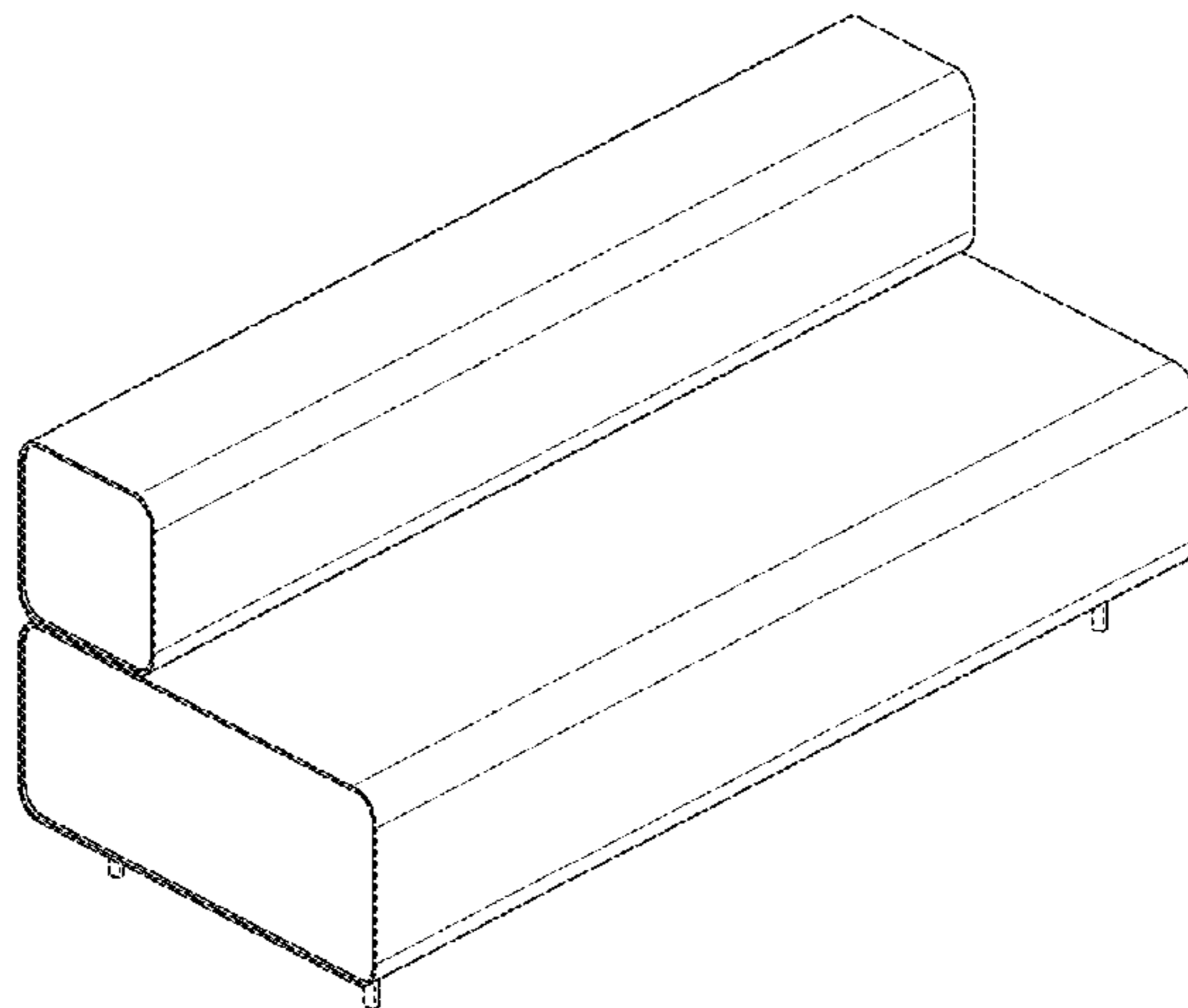
FIG. 9 illustrates a back elevation view thereof;

FIG. 10 illustrates a side elevation view thereof;

FIG. 11 illustrates a top plan view thereof; and,

FIG. 12 illustrates a bottom plan view thereof.

1 Claim, 12 Drawing Sheets



(56)

References Cited

U.S. PATENT DOCUMENTS

D497,496 S * 10/2004 Stewart D6/670
 D497,737 S * 11/2004 Stewart D6/670
 D519,296 S * 4/2006 Ghetti D6/381
 D526,803 S * 8/2006 Lee D6/381
 D537,264 S * 2/2007 Warren D6/381
 D542,555 S * 5/2007 Ghetti D6/381
 D545,070 S * 6/2007 Hutton et al. D6/334
 D549,482 S * 8/2007 Natuzzi D6/381
 7,287,816 B1 * 10/2007 Karl 297/452.17
 D567,527 S * 4/2008 Galardo D6/381
 D577,211 S * 9/2008 Natuzzi D6/334
 D586,590 S * 2/2009 Schweikarth et al. D6/716
 D600,467 S * 9/2009 Natuzzi D6/381
 D602,701 S * 10/2009 Martin et al. D6/334
 D609,034 S * 2/2010 Lissoni D6/716
 D624,328 S * 9/2010 Grandin et al. D6/381
 D639,083 S * 6/2011 Martin D6/381
 D657,155 S * 4/2012 Grandin et al. D6/381
 D657,964 S * 4/2012 Amini D6/334
 D662,733 S * 7/2012 Metcalf et al. D6/717
 D668,892 S * 10/2012 Metcalf et al. D6/717
 D675,453 S * 2/2013 Blet et al. D6/335

D677,477 S * 3/2013 Agati et al. D6/336
 D699,460 S * 2/2014 Bosman D6/371
 D699,461 S * 2/2014 Bosman D6/371
 D717,552 S * 11/2014 Baraldi et al. D6/334
 D717,553 S * 11/2014 Baraldi et al. D6/334
 D728,947 S * 5/2015 Schweikarth D6/336
 D731,192 S * 6/2015 Sorel D6/338
 2012/0248835 A1 10/2012 Williams
 2013/0341992 A1 12/2013 King et al.

OTHER PUBLICATIONS

Chess by brühl, www.architonic.com/pmsht/chess-bruhl/1246650,
 accessed Dec. 15, 2014, 19 pages.
 TAT-Tris Modular Furniture Inspired by Tetris Video Game, www.furniturefashion.com/tat-tris_modular_furniture_inspired_by_tetris_video_game,
 accessed Dec. 15, 2014, 3 pages.
 Teknion, www.teknion.com/products/product-details?productLineId=af6e336e-8e7a-673b-a6c8-ff00004460c4,
 accessed Dec. 15, 2014.
 ZIG: Modular Furniture Lets You Build to Suit Your Space, Eichholtz
 furniture, weburbanist.com/2013/07/05/zig-modular-furniture-lets-you-build-to-suit-your-space/,
 accessed Dec. 15, 2014, 5 pages.

* cited by examiner

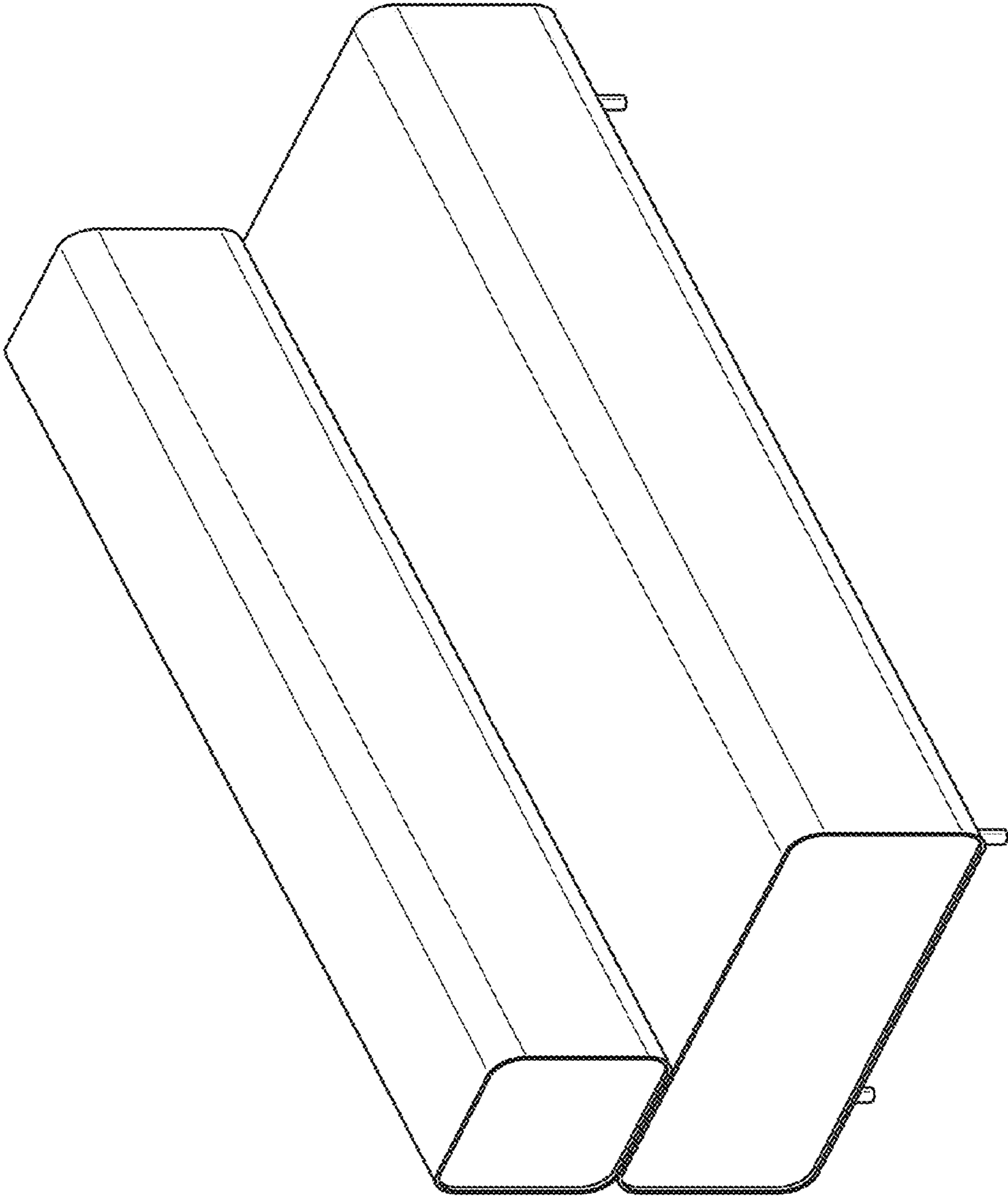


FIG. 1

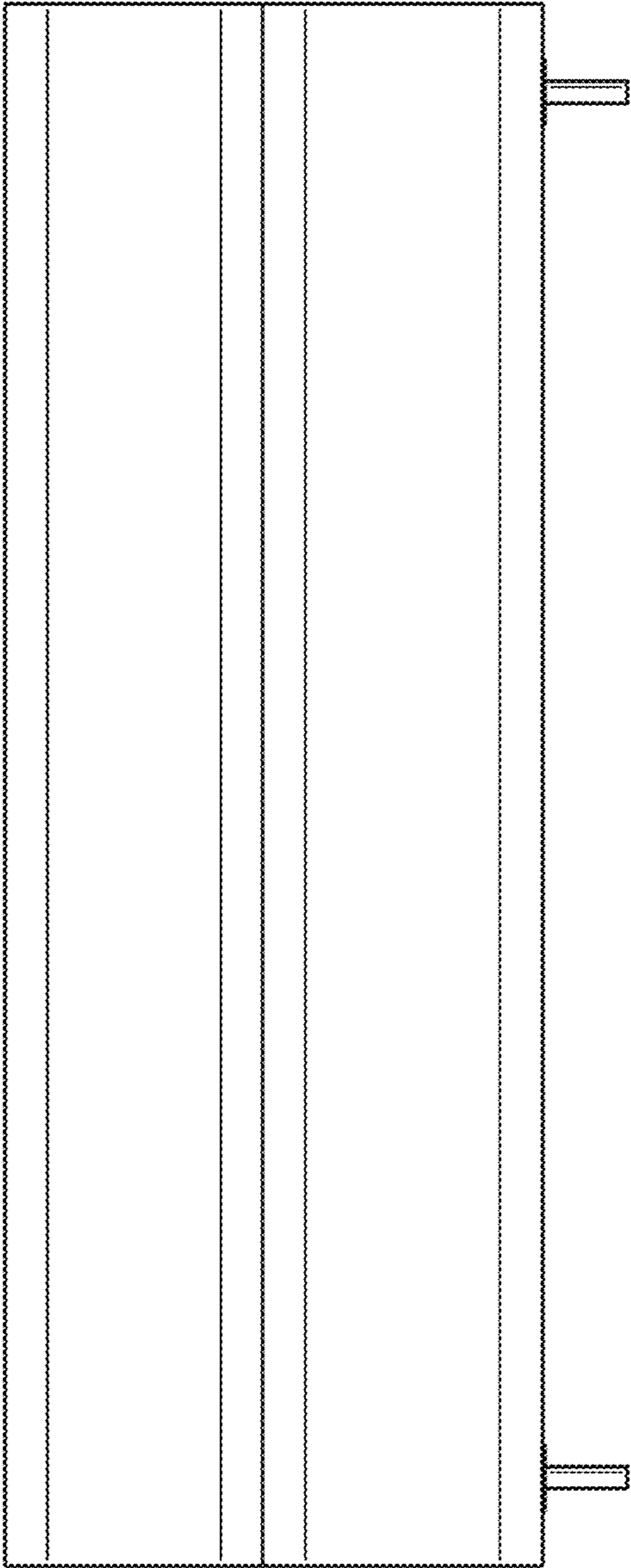


FIG. 2

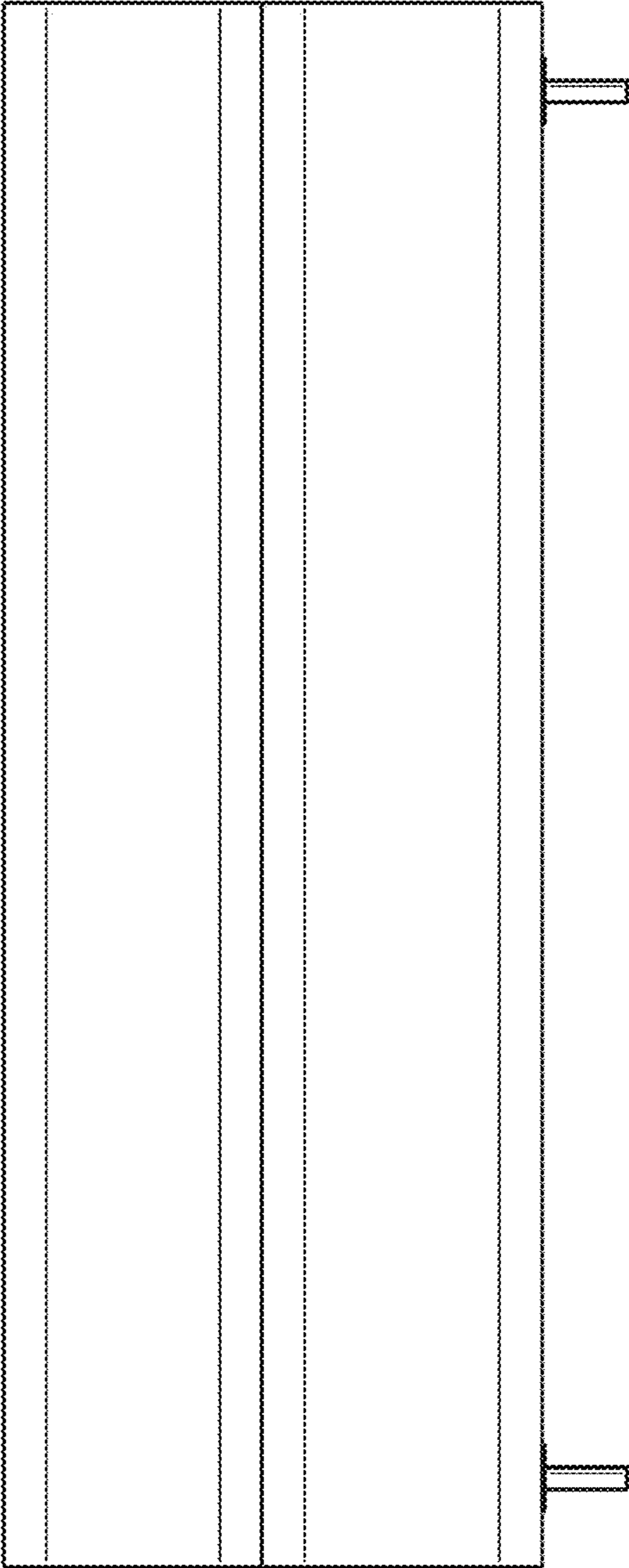


FIG. 3

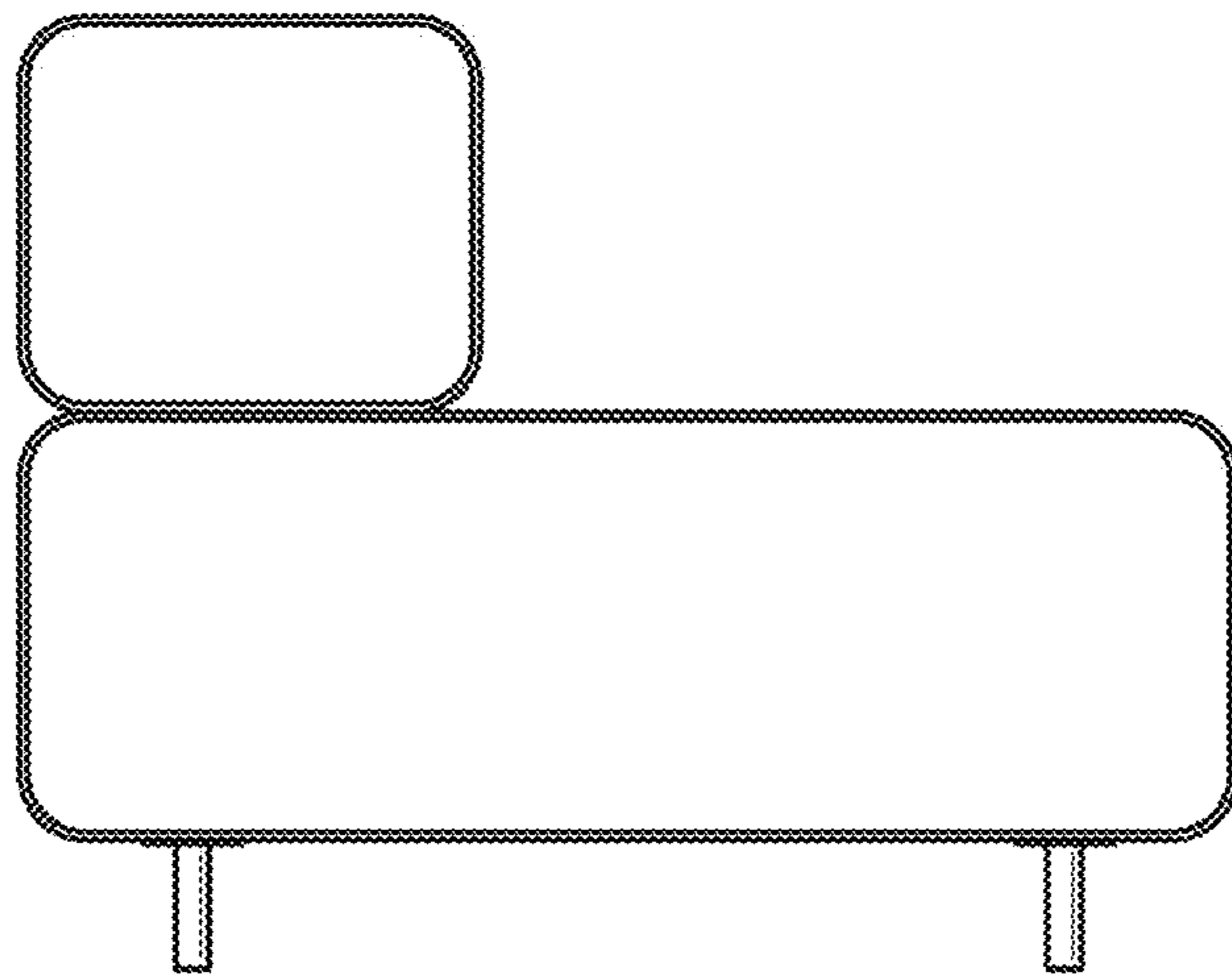


FIG. 4

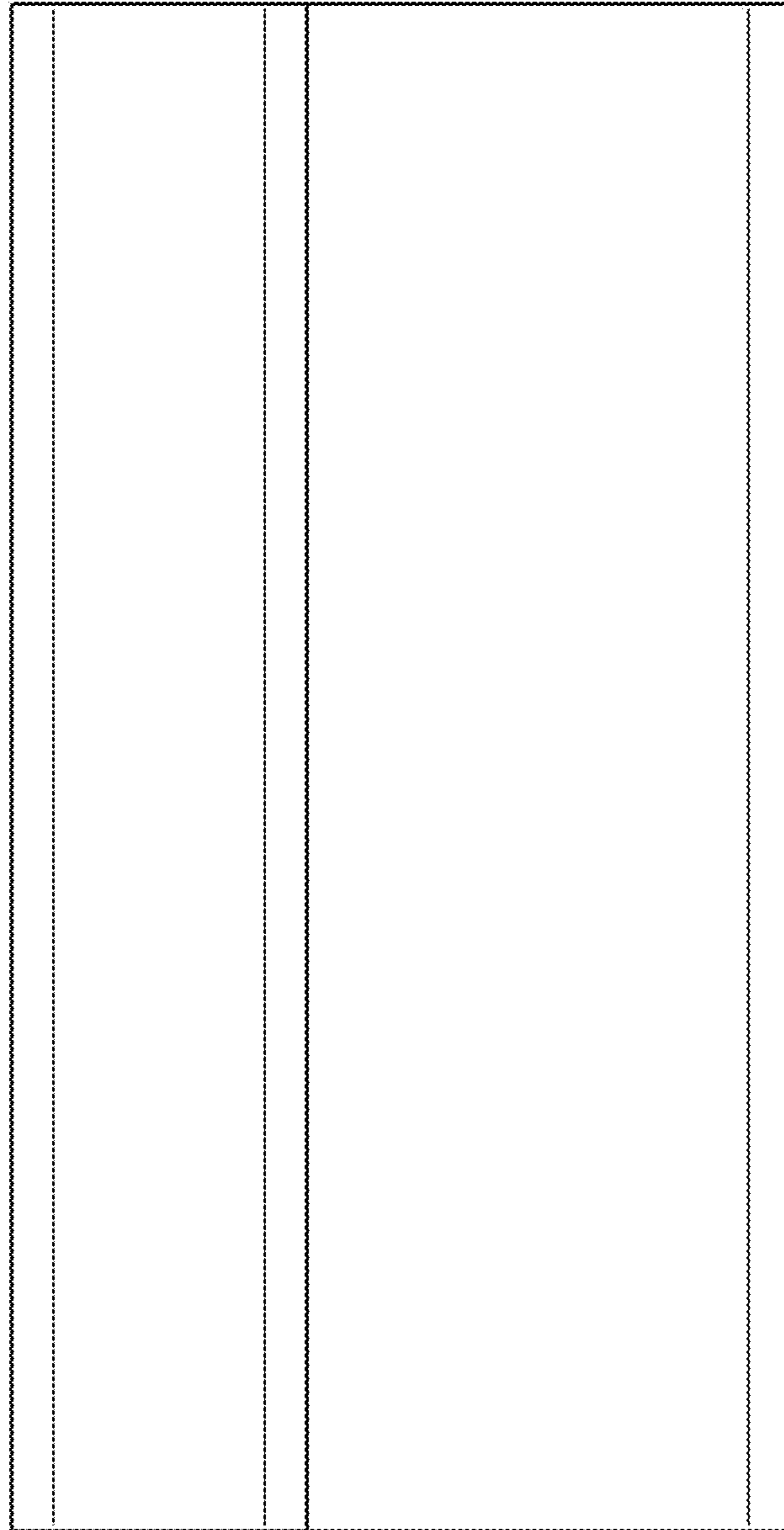


FIG. 5

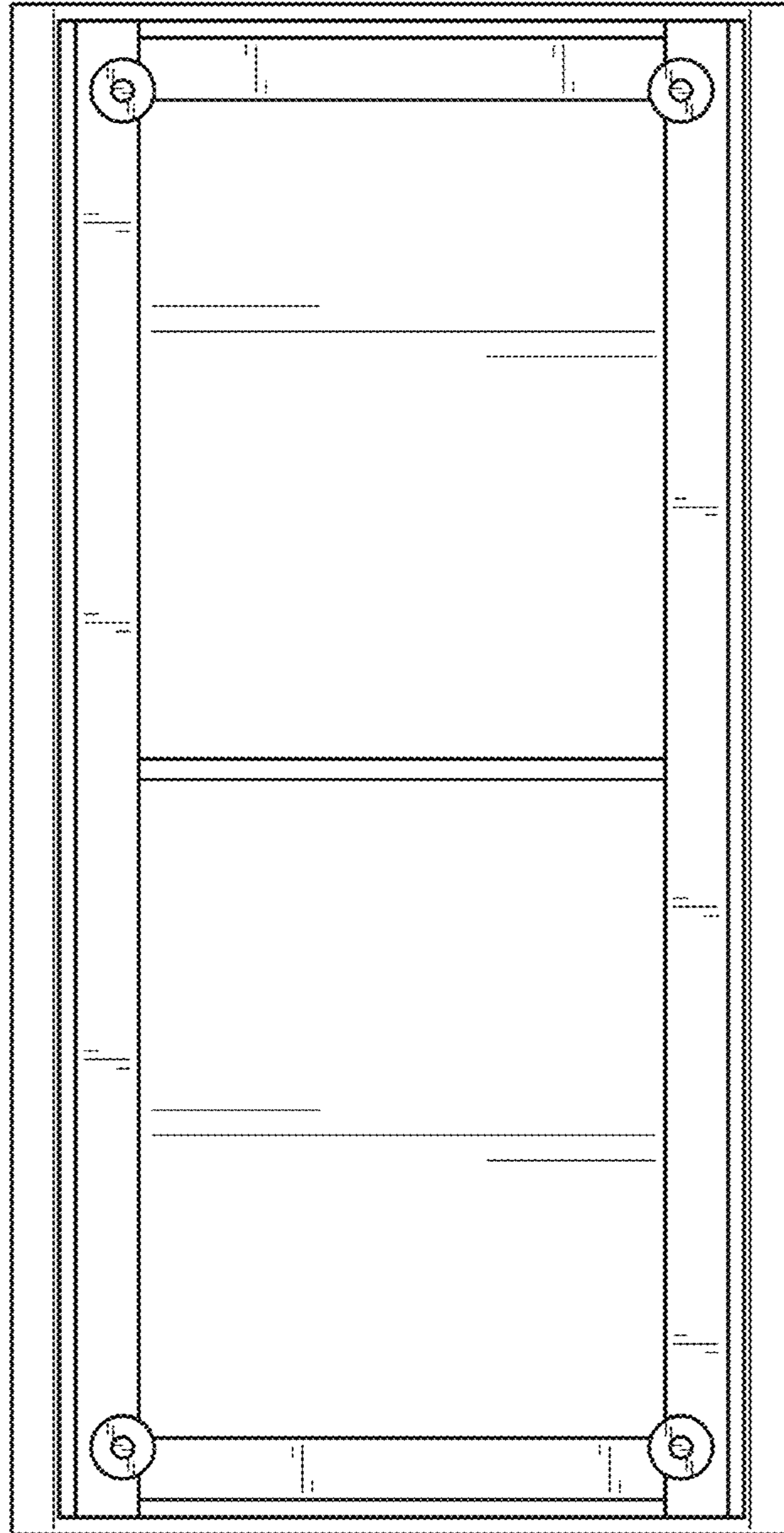


FIG. 6

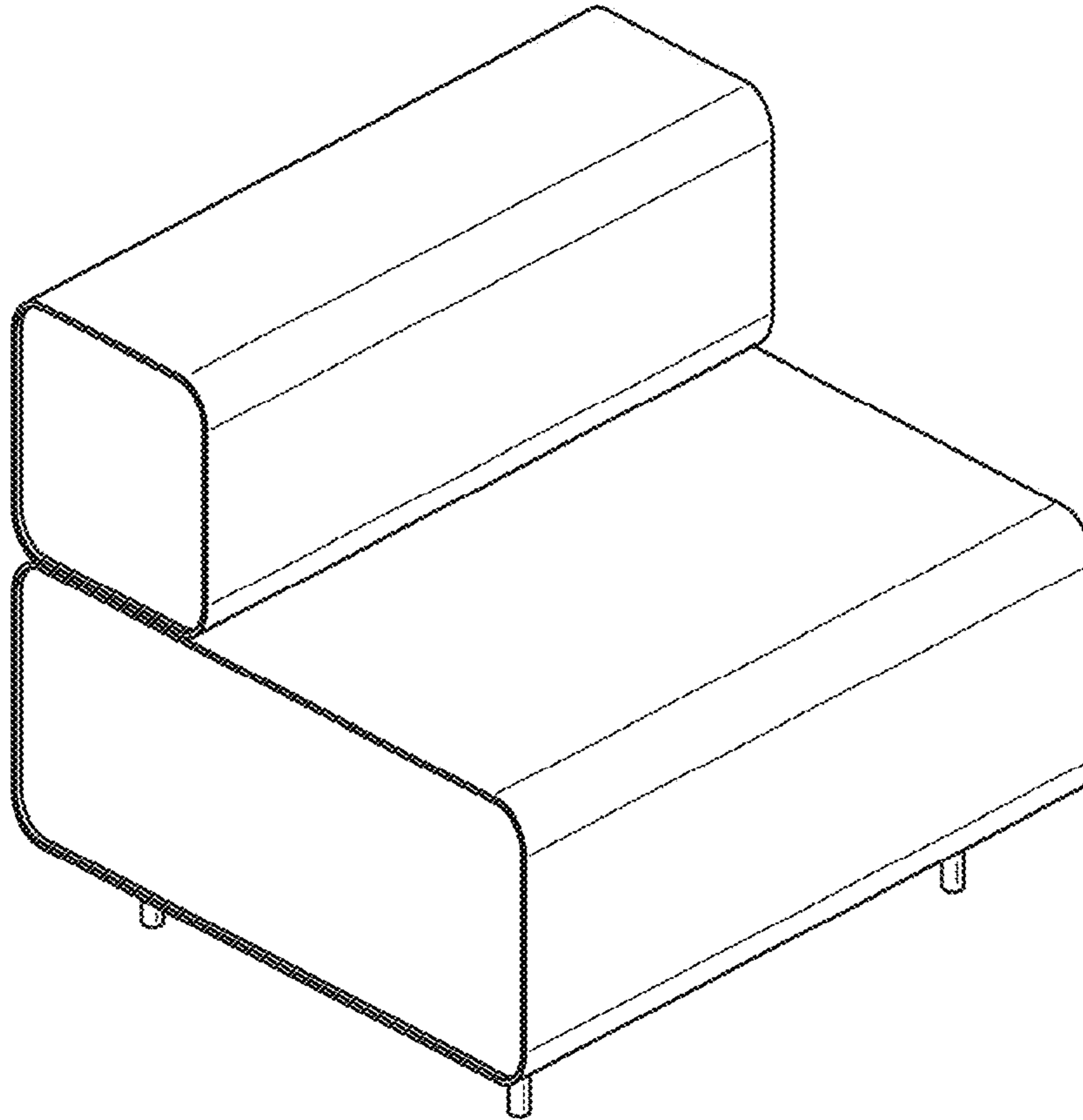


FIG. 7

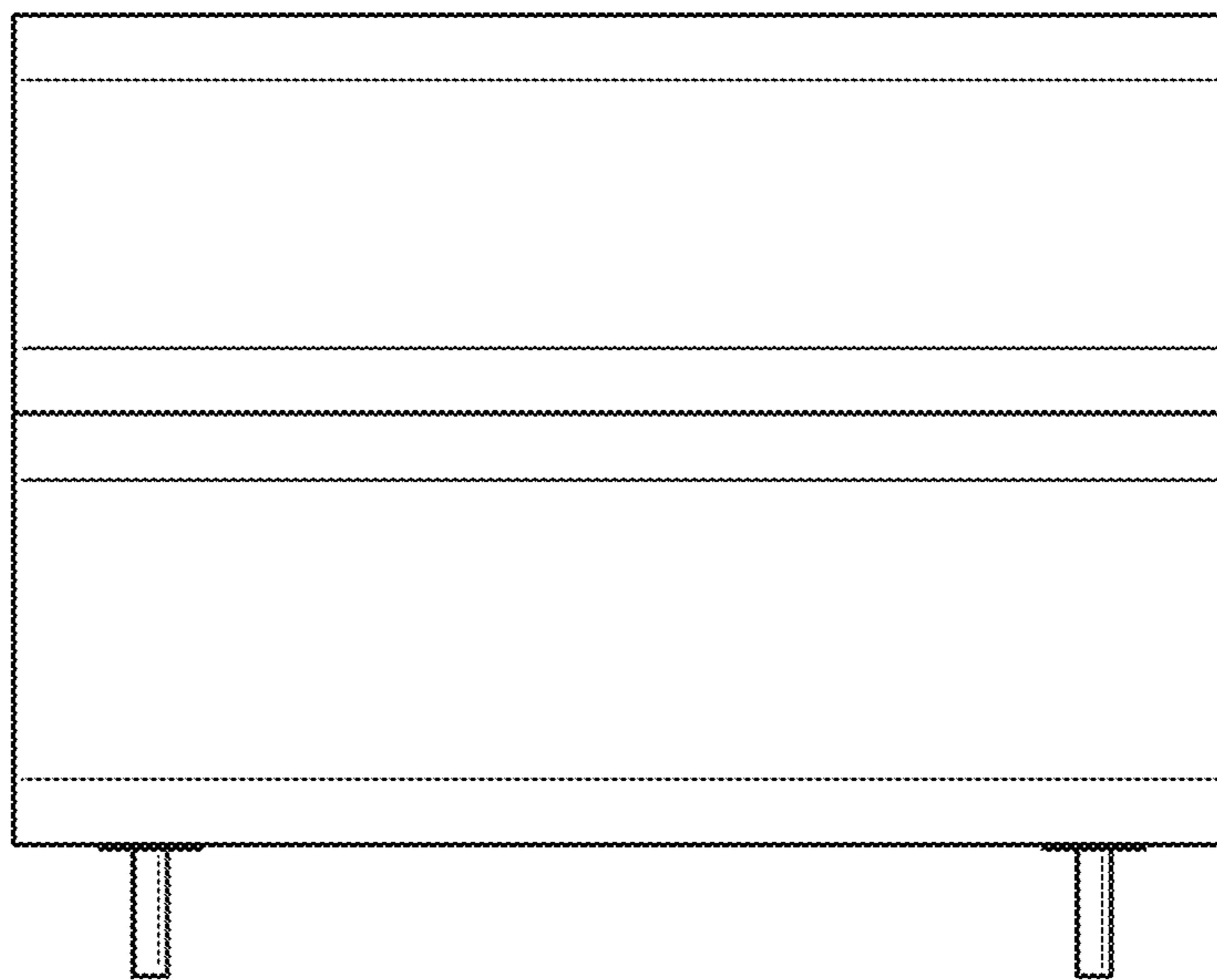


FIG. 8

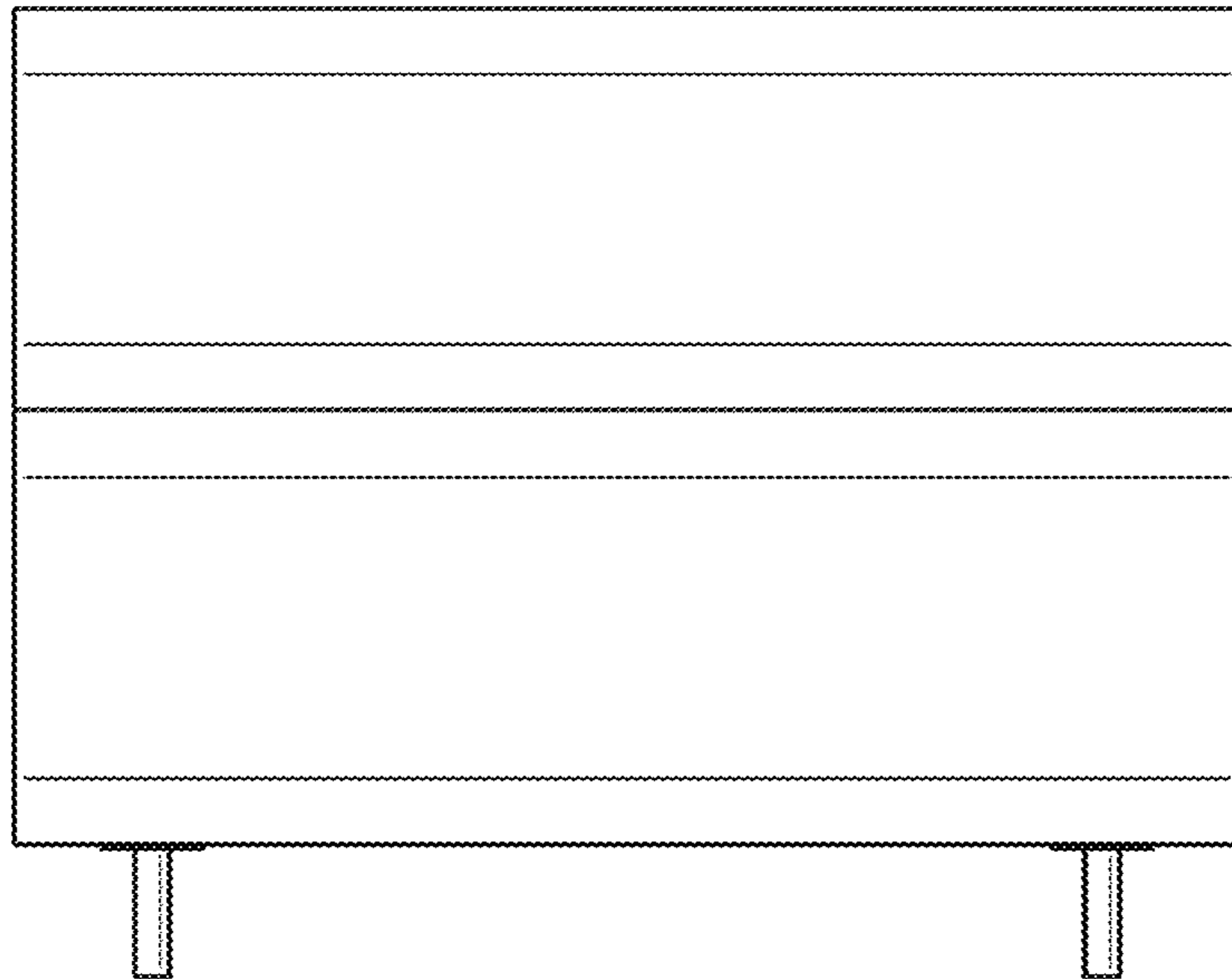


FIG. 9

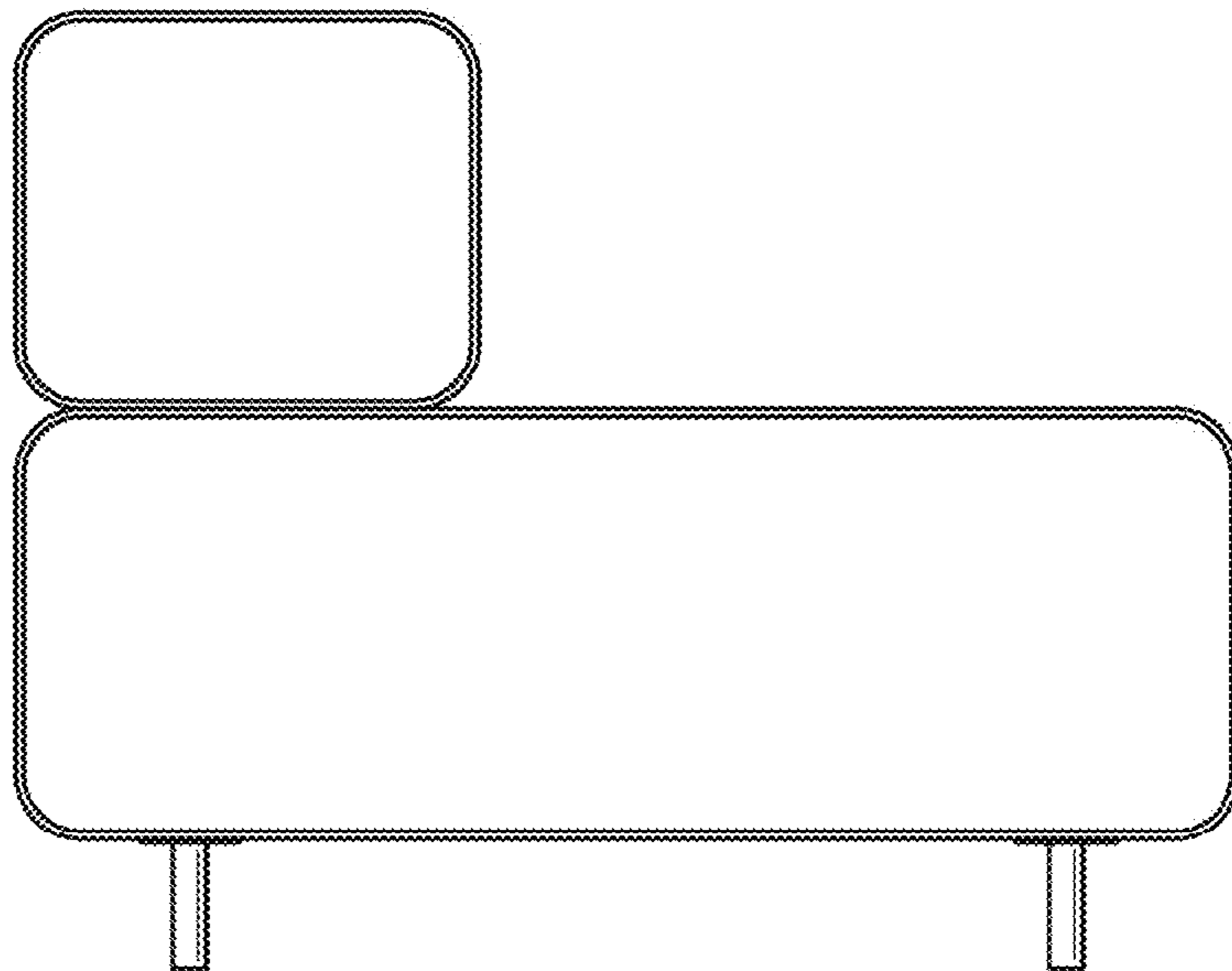


FIG. 10

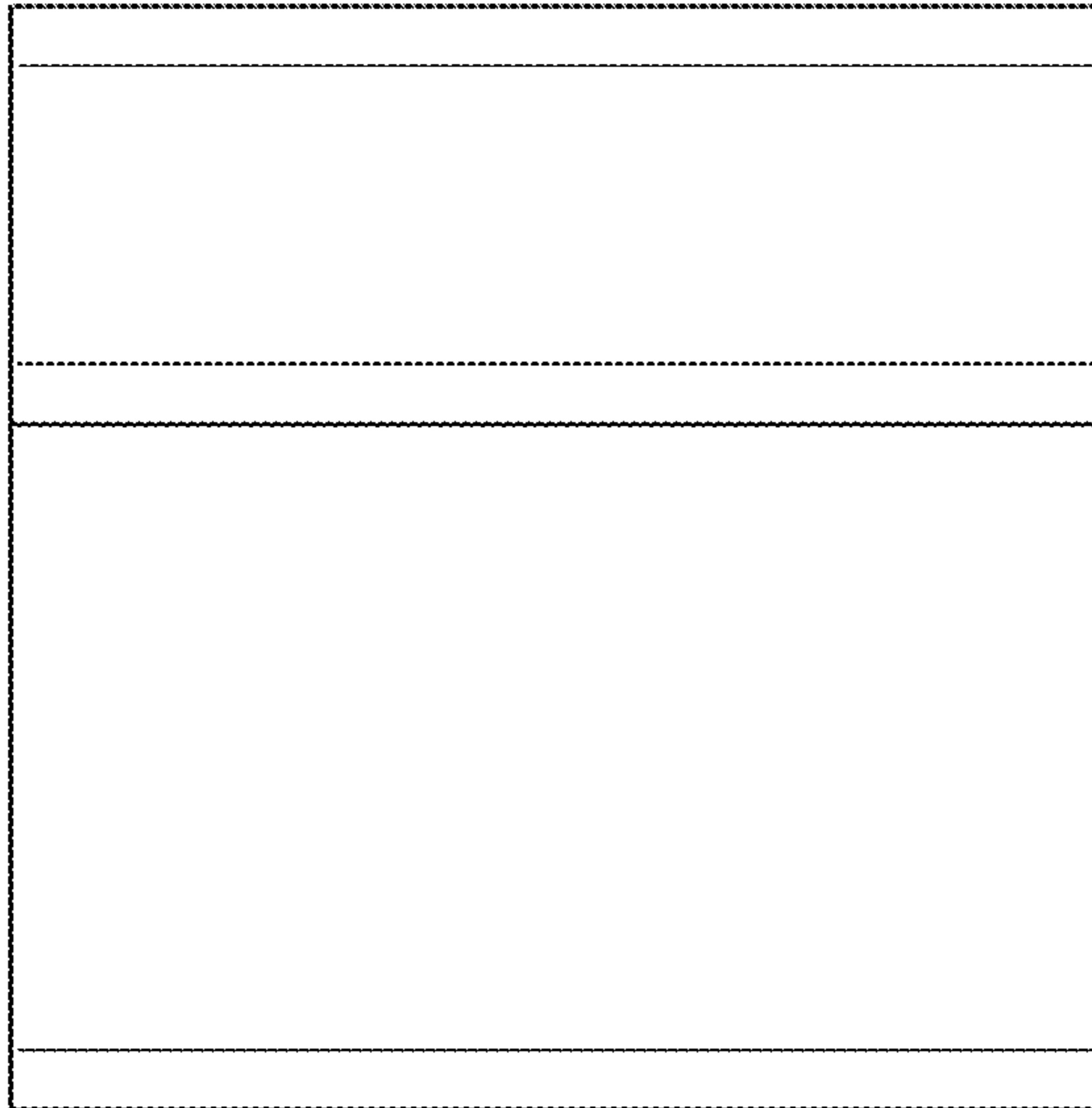


FIG. 11

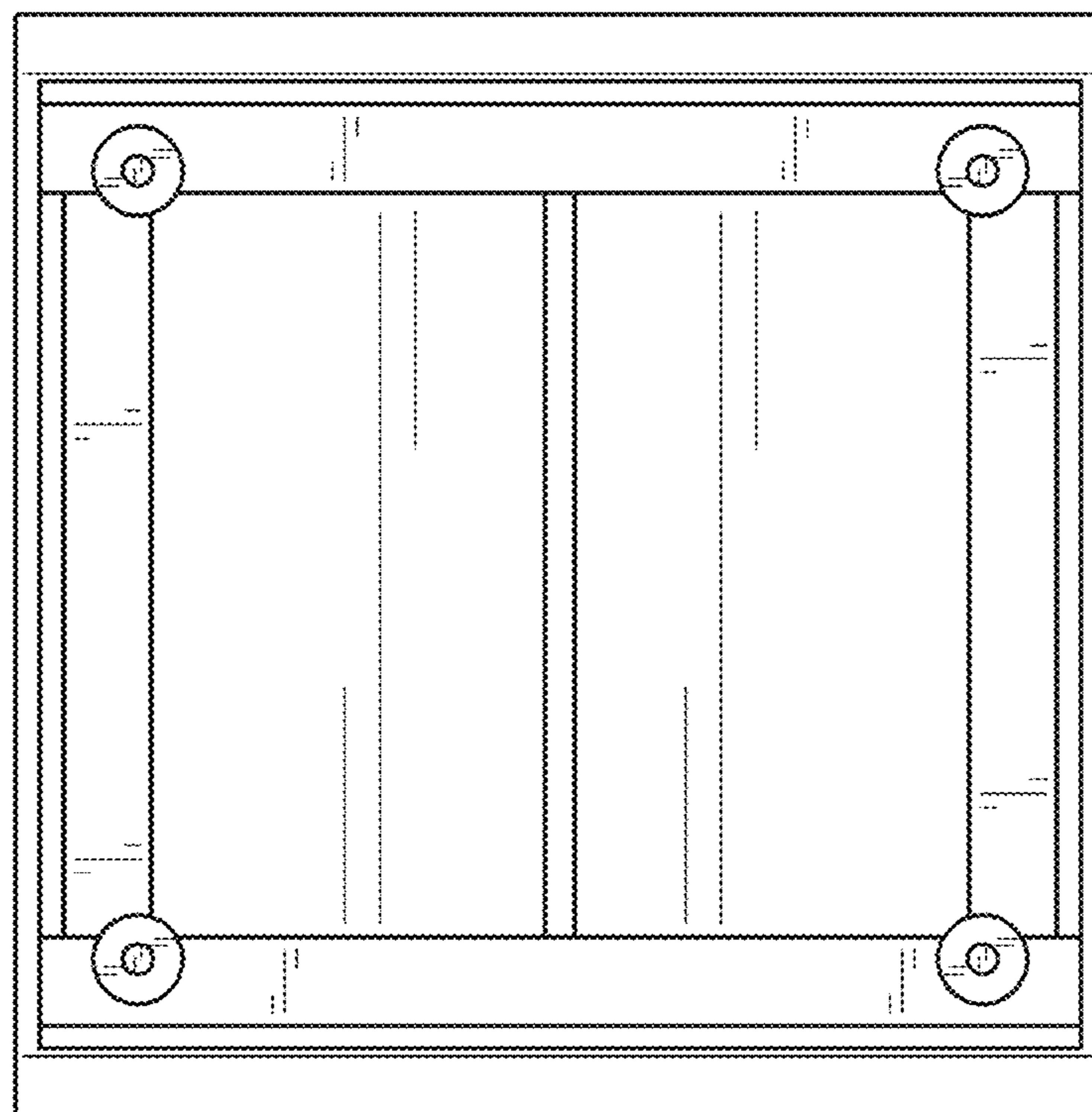


FIG. 12