



US00D742129S

(12) **United States Design Patent**
Mick

(10) **Patent No.:** **US D742,129 S**

(45) **Date of Patent:** **** Nov. 3, 2015**

(54) **CHAIR**

(71) Applicant: **Thomas Mick**, Paris (FR)

(72) Inventor: **Thomas Mick**, Paris (FR)

(73) Assignee: **Parfums Christian Dior, S.A.**, Paris (FR)

(**) Term: **14 Years**

(21) Appl. No.: **29/484,515**

(22) Filed: **Mar. 10, 2014**

(30) **Foreign Application Priority Data**

Oct. 3, 2013 (EM) 002319756-0002

(51) **LOC (10) Cl.** **06-01**

(52) **U.S. Cl.**
USPC **D6/360**

(58) **Field of Classification Search**

USPC D6/334-336, 360, 374, 379, 380, 716,
D6/716.1, 716.2, 716.3, 716.4

CPC A47C 4/028; A47C 7/022; A47C 7/18;
A47C 7/24; A47C 9/007; A47C 7/50

See application file for complete search history.

(56) **References Cited**

U.S. PATENT DOCUMENTS

D293,743 S *	1/1988	Hoyt	D6/360
D468,918 S *	1/2003	de Blois	D6/360
D645,267 S *	9/2011	Aubry et al.	D6/360
D689,292 S *	9/2013	Kittilsen et al.	D6/360
D706,545 S *	6/2014	Muller	D6/360
D719,365 S *	12/2014	Adams et al.	D6/360

* cited by examiner

Primary Examiner — Mimoso De

(74) *Attorney, Agent, or Firm* — Fross Zelnick Lehrman & Zissu, P.C.; Charles T. J. Weigell, Esq.

(57) **CLAIM**

The ornamental design for a chair, as shown and described.

DESCRIPTION

FIG. 1 is a front perspective view of a chair showing my new furniture design;

FIG. 2 is a front view of the chair shown in FIG. 1;

FIG. 3 is a back view of the chair shown in FIG. 1;

FIG. 4 is a side view of the chair shown in FIG. 1;

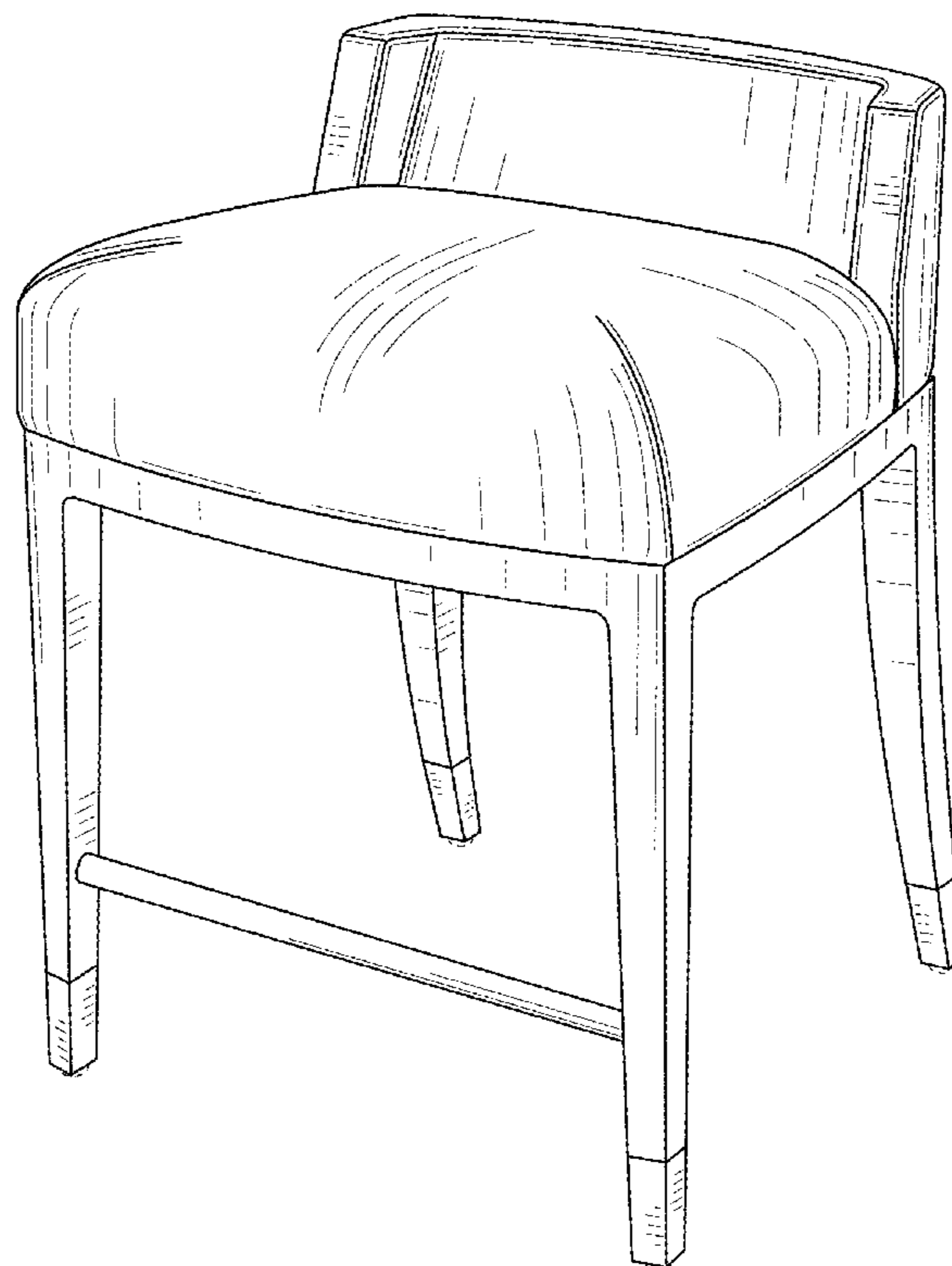
FIG. 5 is the other side view of the chair shown in FIG. 1

FIG. 6 is a top view of the chair shown in FIG. 1; and,

FIG. 7 is a bottom view of the chair shown in FIG. 1.

The broken line showing of the screws and anti-scratch pads shows unclaimed subject matter/is not part of the claimed design.

1 Claim, 4 Drawing Sheets



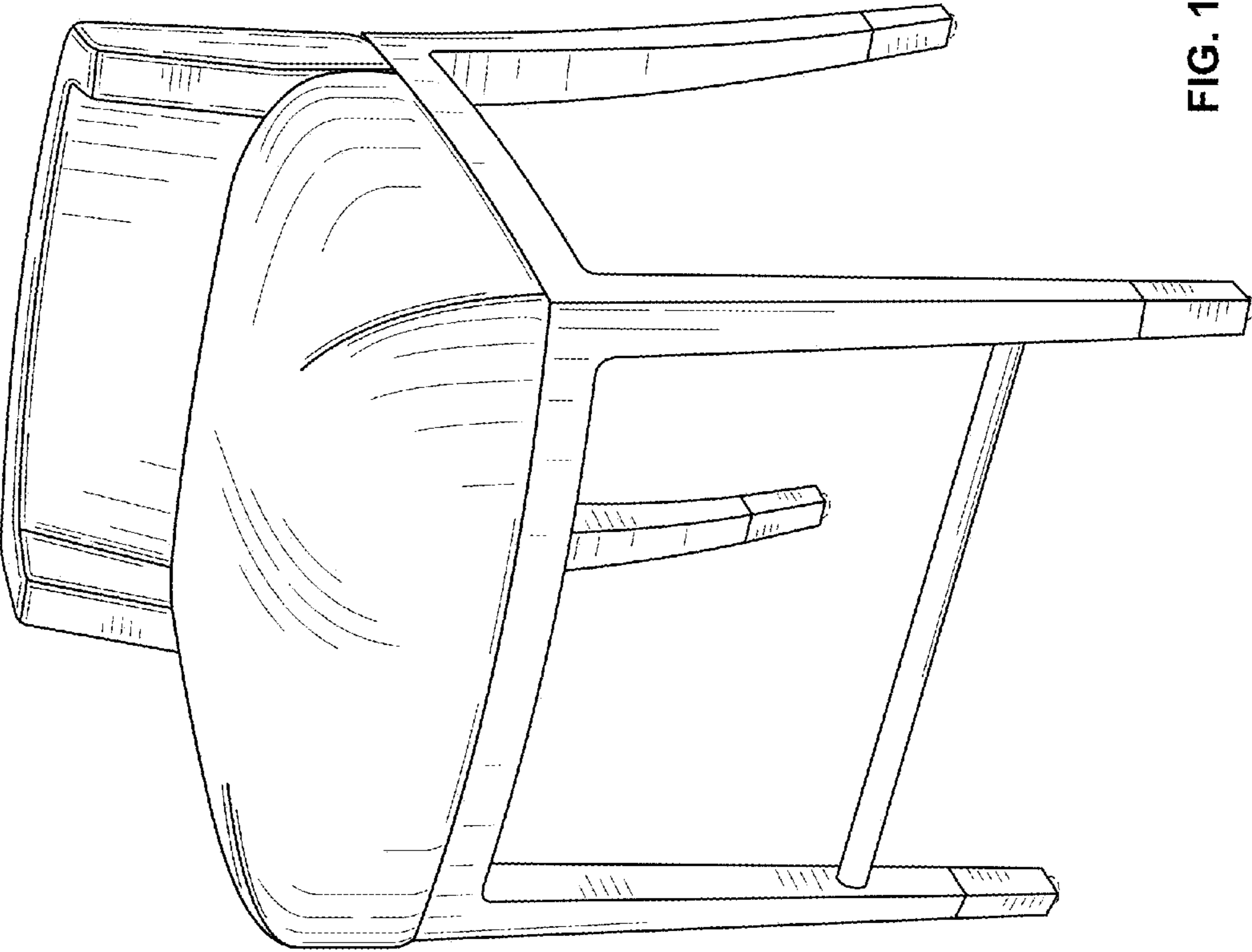


FIG. 1

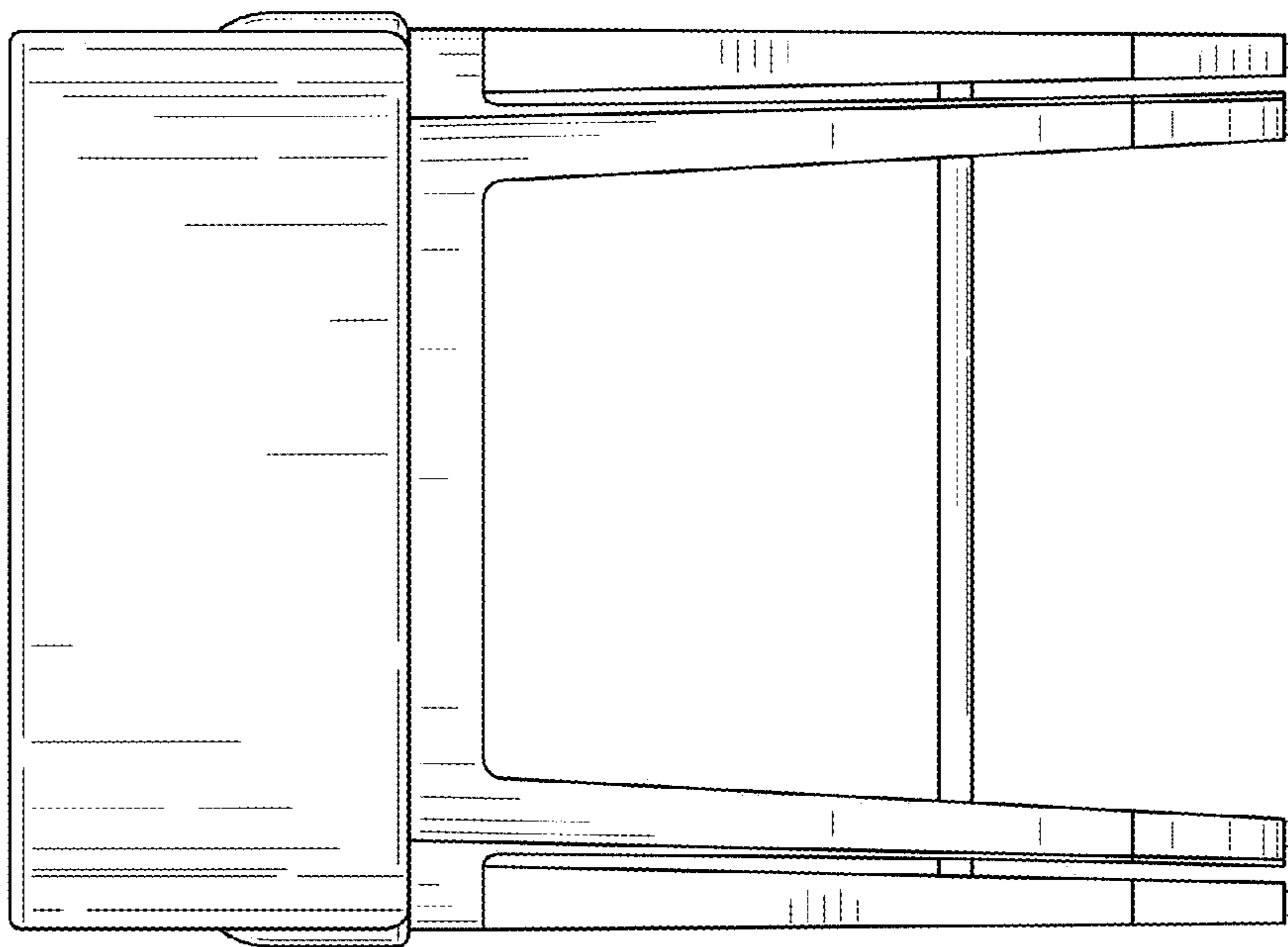


FIG. 3

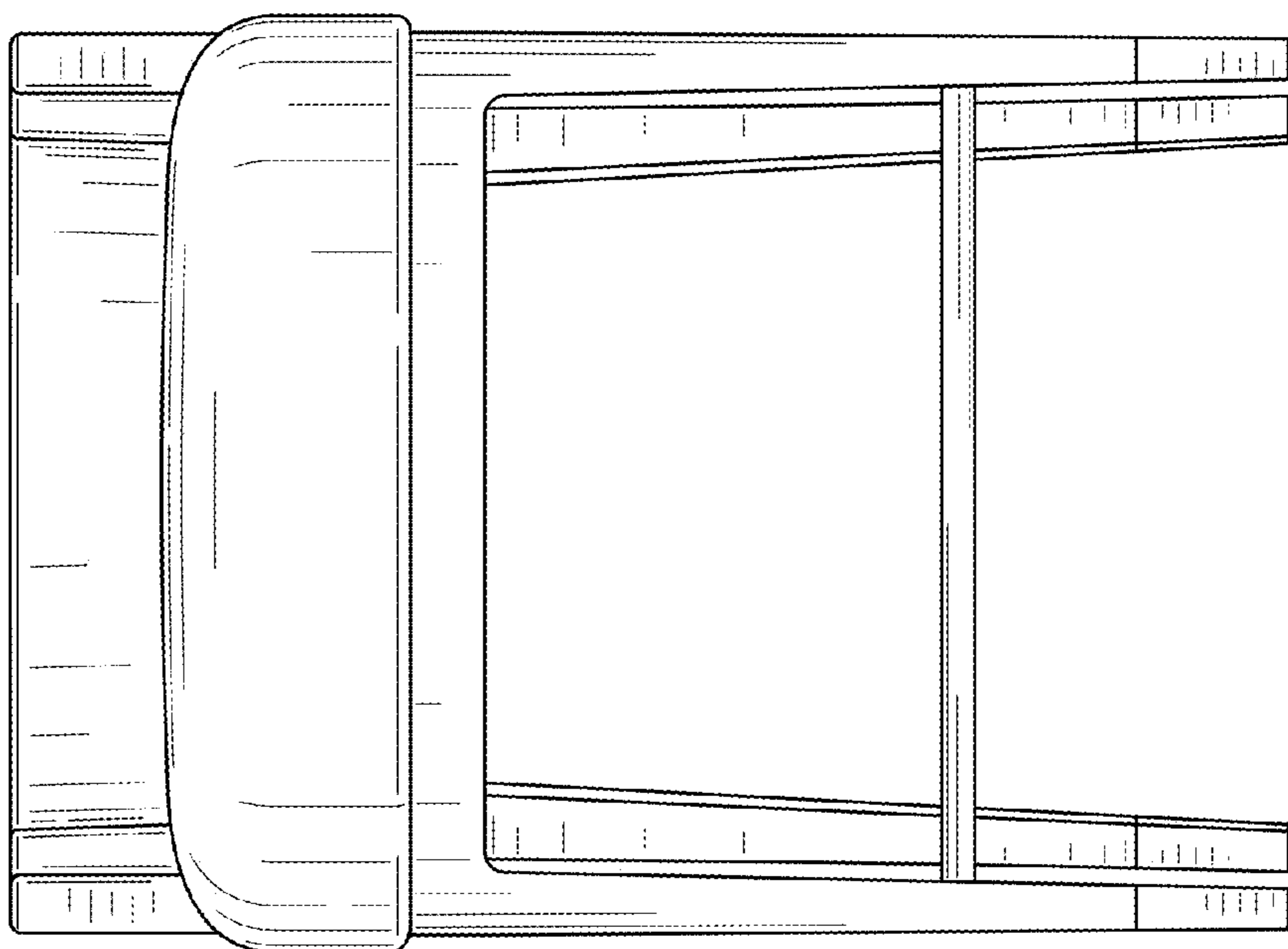


FIG. 2

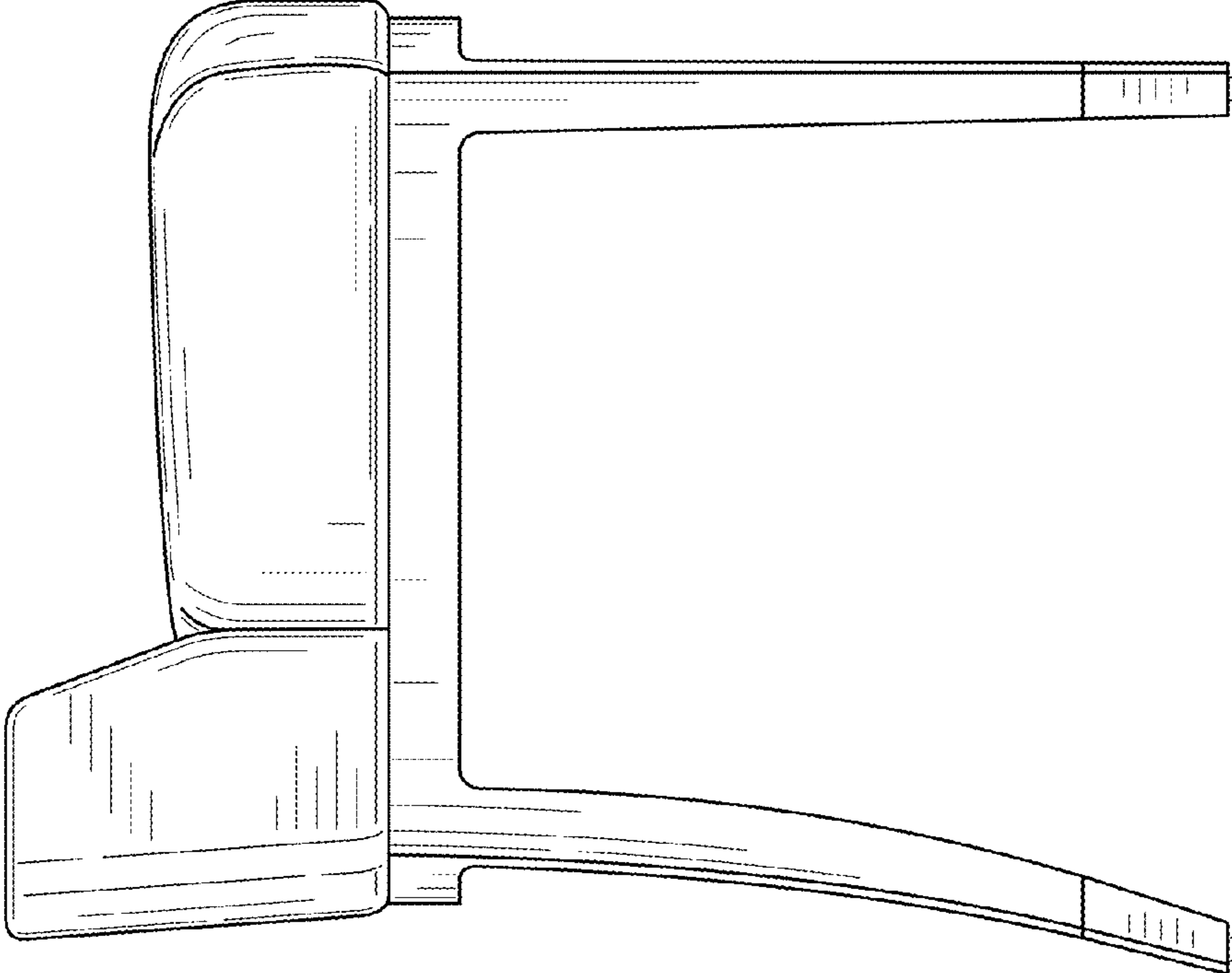


FIG. 4

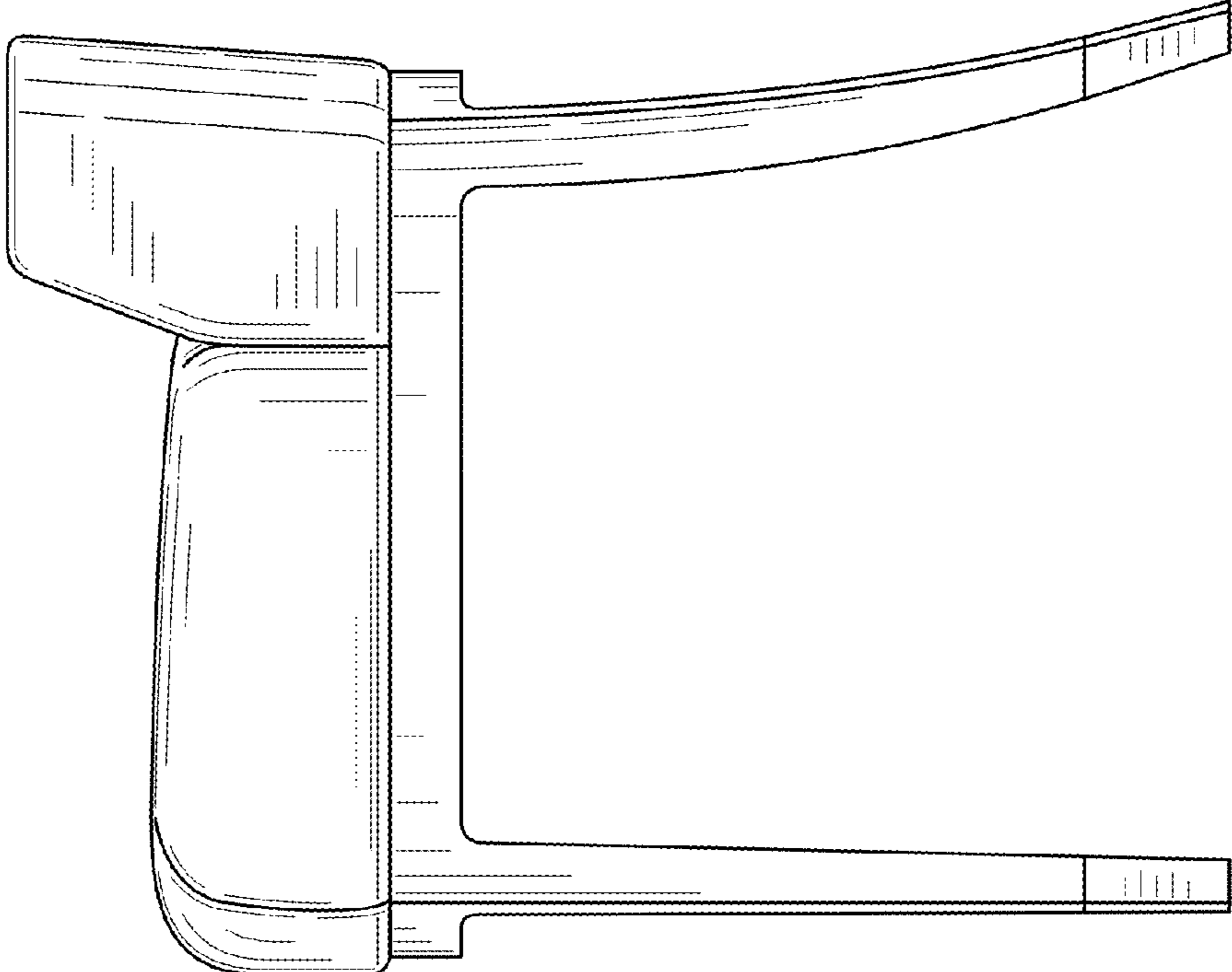


FIG. 5

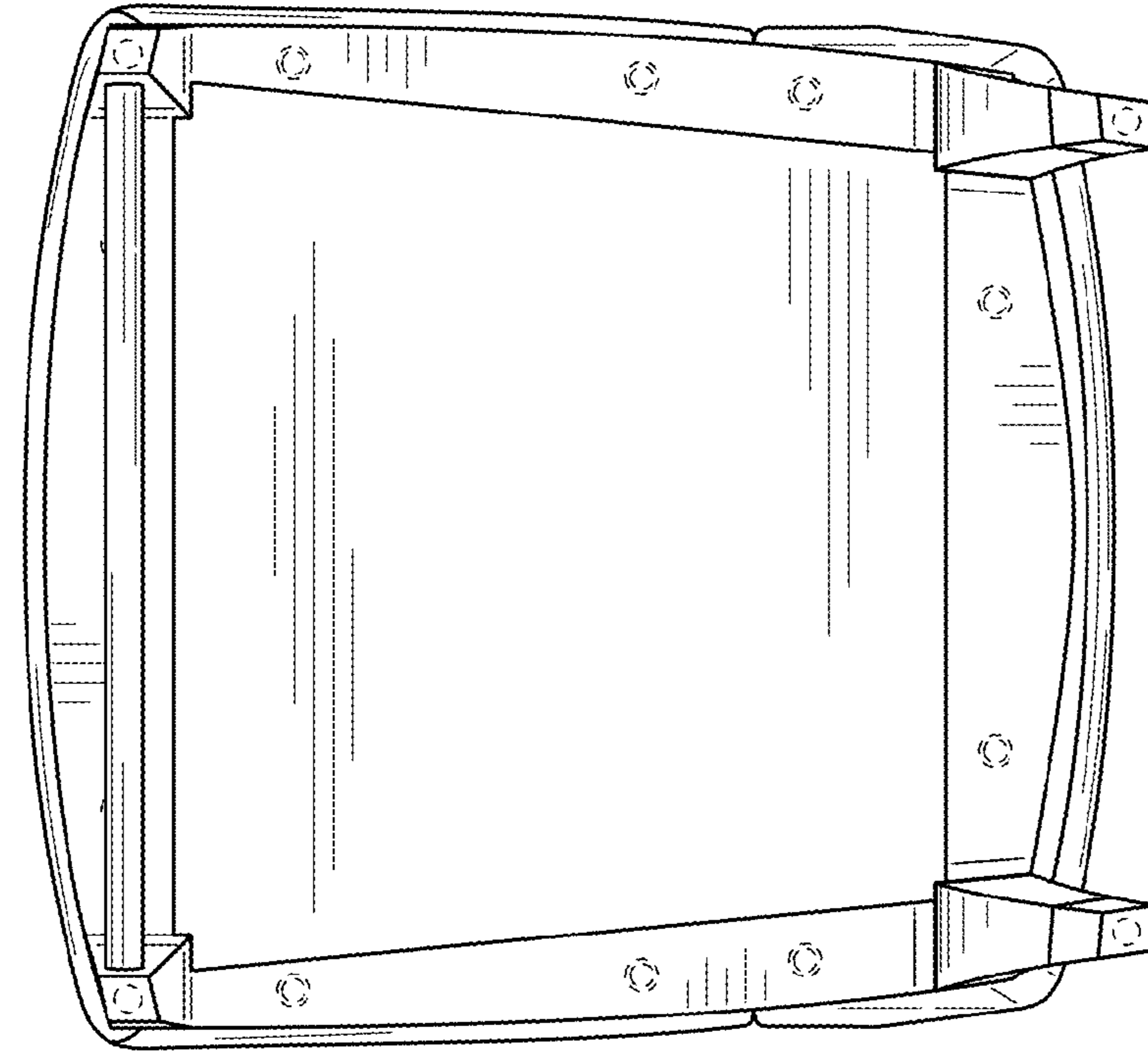


FIG. 7

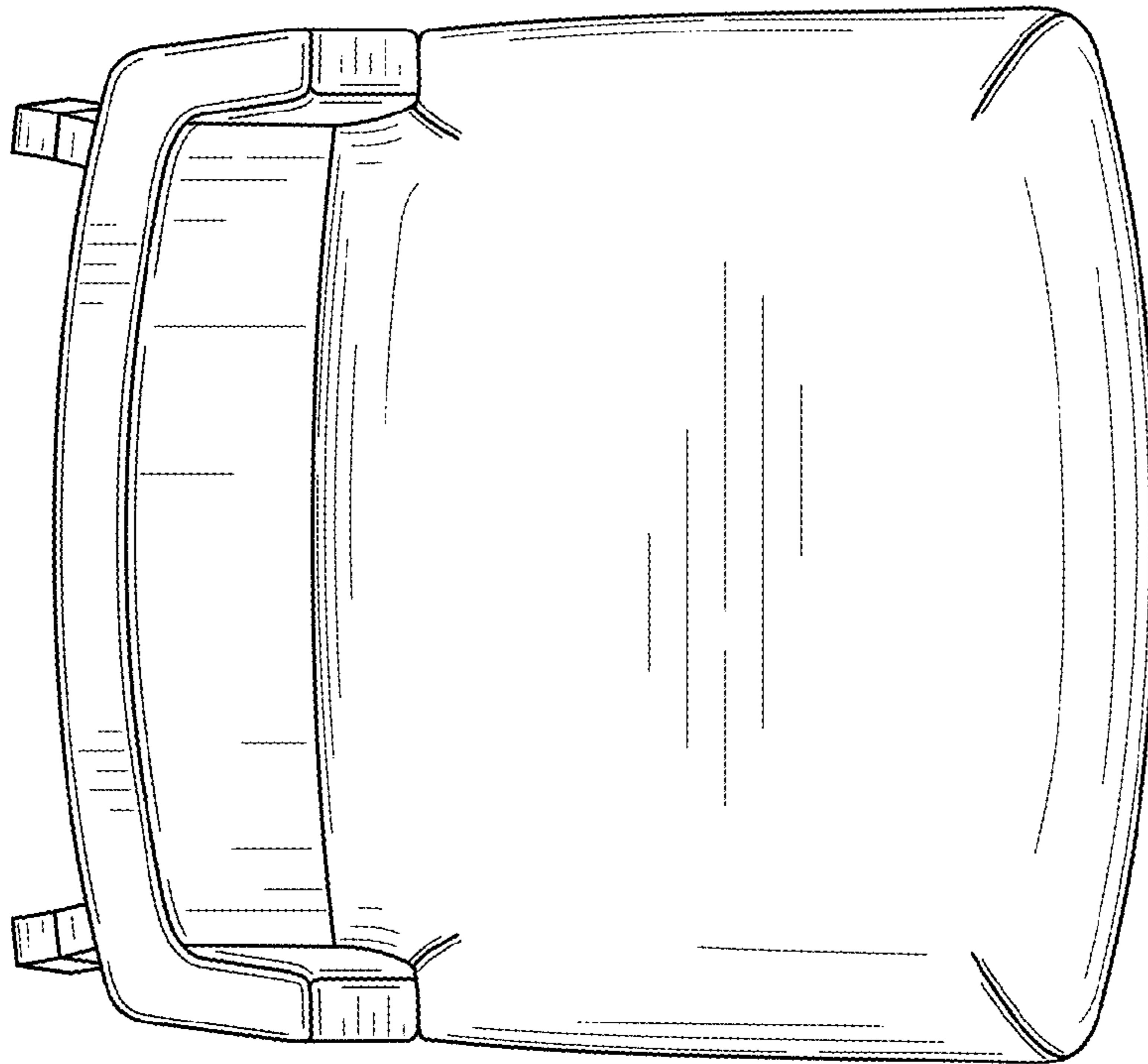


FIG. 6