



US00D742128S

(12) **United States Design Patent**  
**Mick**

(10) **Patent No.:** **US D742,128 S**  
(45) **Date of Patent:** **\*\* Nov. 3, 2015**

(54) **CHAIR**

(56) **References Cited**

(71) Applicant: **Thomas Mick**, Paris (FR)

U.S. PATENT DOCUMENTS

(72) Inventor: **Thomas Mick**, Paris (FR)

D232,879	S	*	9/1974	Samhammer	.....	D6/360
4,372,605	A	*	2/1983	Cervantes	.....	A47C 1/04
D485,447	S	*	1/2004	Stanton	.....	D6/360
D620,270	S	*	7/2010	Najarian	.....	D6/360
D654,279	S	*	2/2012	Barile	.....	D6/360
D660,028	S	*	5/2012	Rode	.....	D6/360
D665,183	S	*	8/2012	Welsh	.....	D6/360
D719,365	S	*	12/2014	Adams et al.	.....	D6/360

(73) Assignee: **Parfums Christian Dior, S.A.**, Paris (FR)

(\*\*) Term: **14 Years**

\* cited by examiner

(21) Appl. No.: **29/484,484**

*Primary Examiner* — Mimosa De

(22) Filed: **Mar. 10, 2014**

(74) *Attorney, Agent, or Firm* — Fross, Zelnick, Lehrman & Zissu, P.C.; Charles T. J. Weigell, Esq.

(30) **Foreign Application Priority Data**

(57) **CLAIM**

The ornamental design for a chair, as shown and described.

Oct. 3, 2013 (EM) ..... 002319756-0001

**DESCRIPTION**

(51) **LOC (10) Cl.** ..... **06-01**

FIG. 1 is a front perspective view of a chair showing my new furniture design;

(52) **U.S. Cl.**

FIG. 2 is a front view of the chair shown in FIG. 1;

USPC ..... **D6/360**

FIG. 3 is a back view of the chair shown in FIG. 1;

(58) **Field of Classification Search**

FIG. 4 is a side view of the chair shown in FIG. 1;

USPC ..... D6/334–336, 360, 364, 365, 366, 367,  
D6/374, 375, 716, 716.1, 716.2, 716.3,  
D6/716.4

FIG. 5 is the other side view of the chair shown in FIG. 1

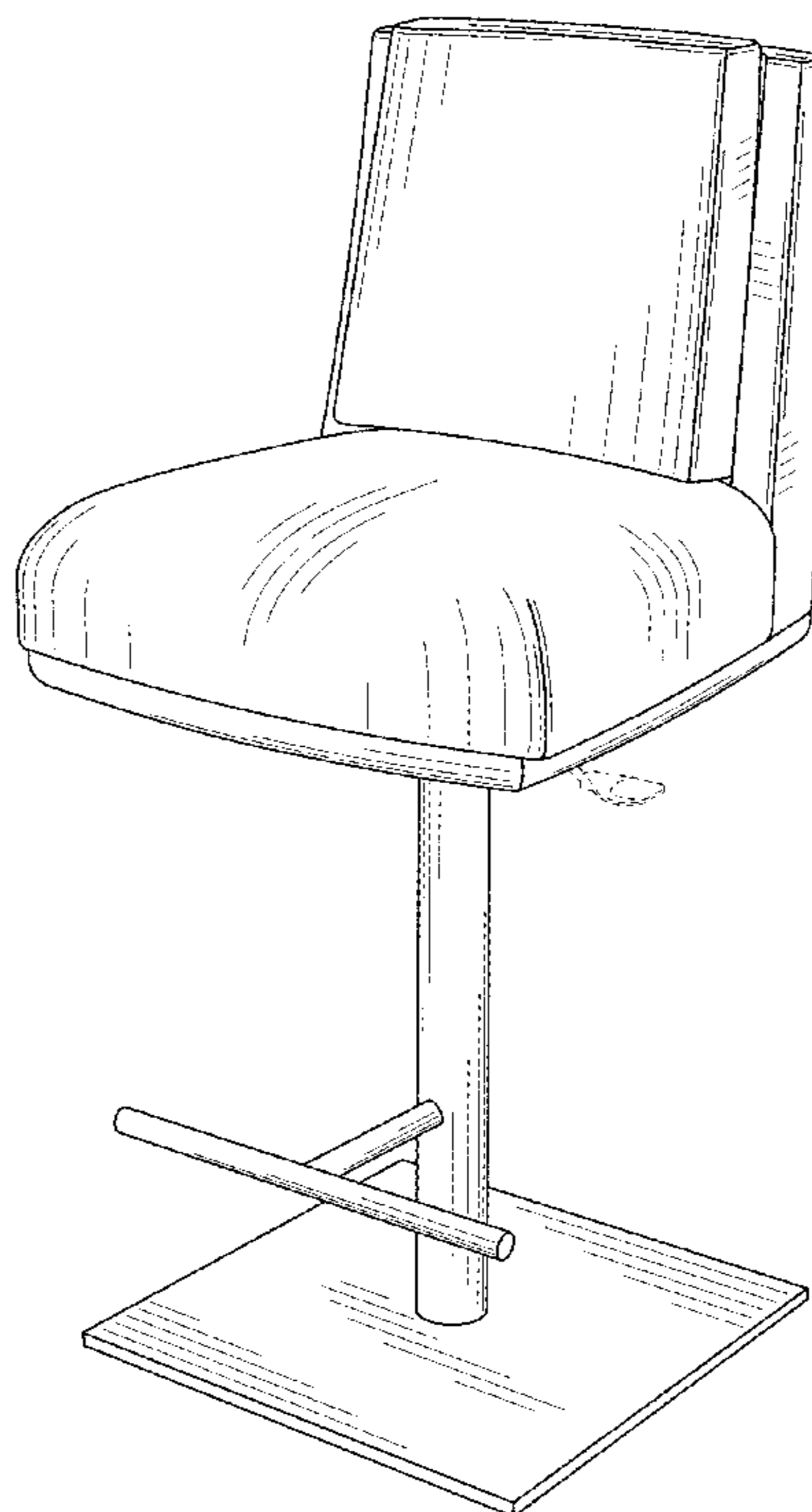
CPC ..... A47C 1/04; A47C 3/18; A47C 4/028;  
A47C 7/004; A47C 7/022; A47C 7/18;  
A47C 7/24; A47C 9/007; A47C 7/50

FIG. 6 is a top view of the chair shown in FIG. 1; and,

FIG. 7 is a bottom view of the chair shown in FIG. 1.  
The broken line showing of the screws, seat mechanism, and bottom pole aperture shows unclaimed subject matter/is not part of the claimed design.

See application file for complete search history.

**1 Claim, 6 Drawing Sheets**



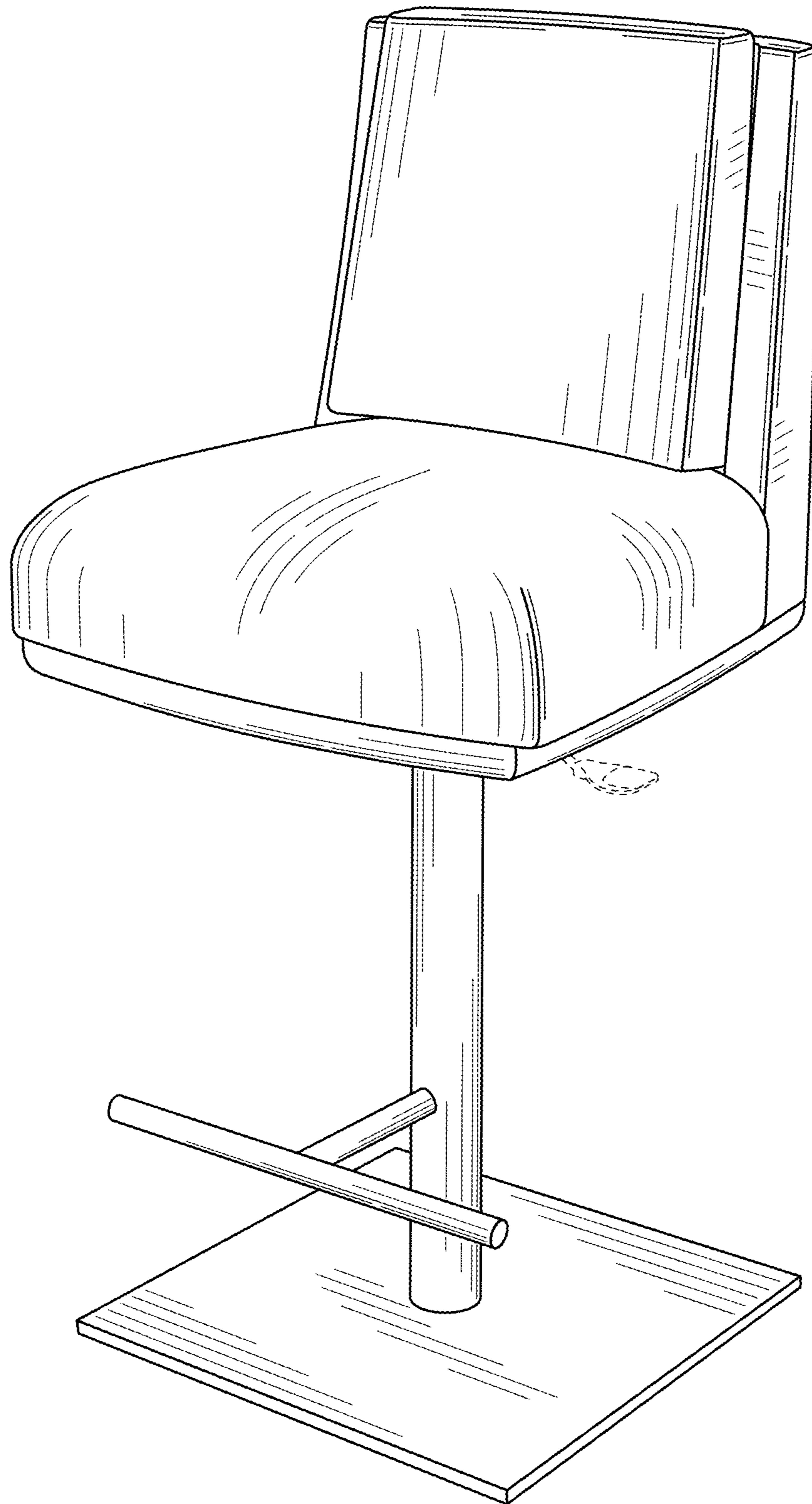


FIG. 1

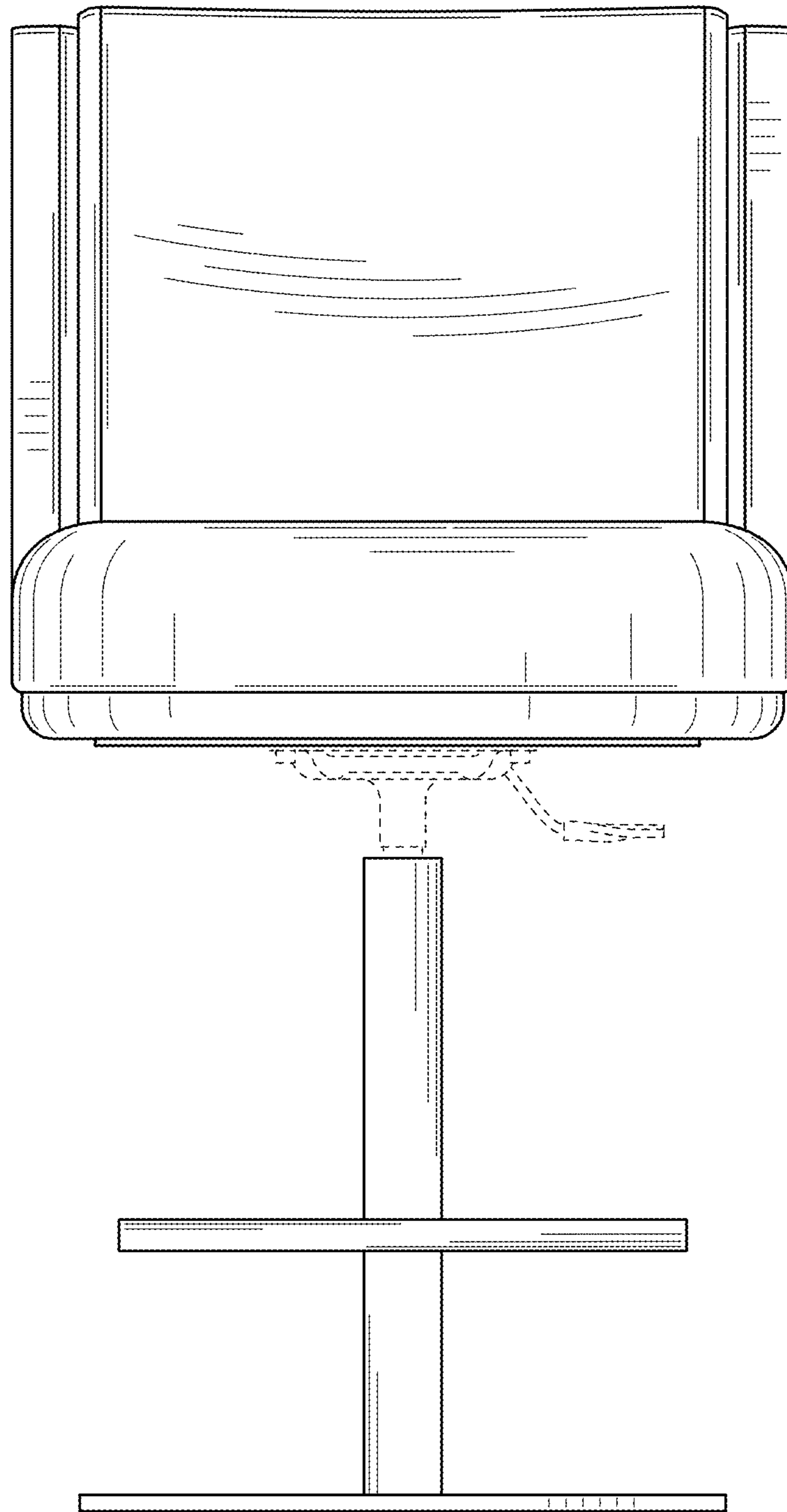


FIG. 2

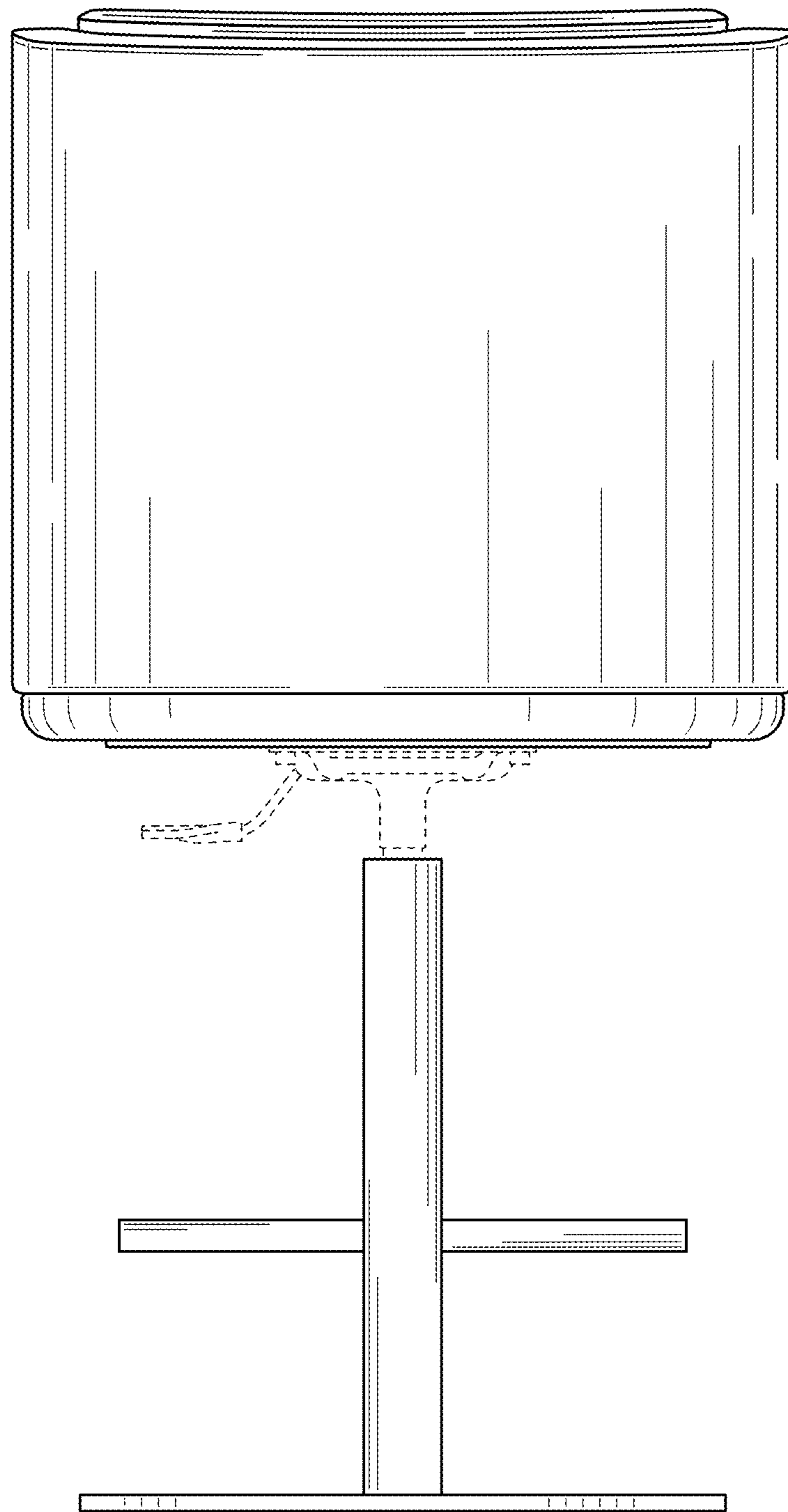


FIG. 3

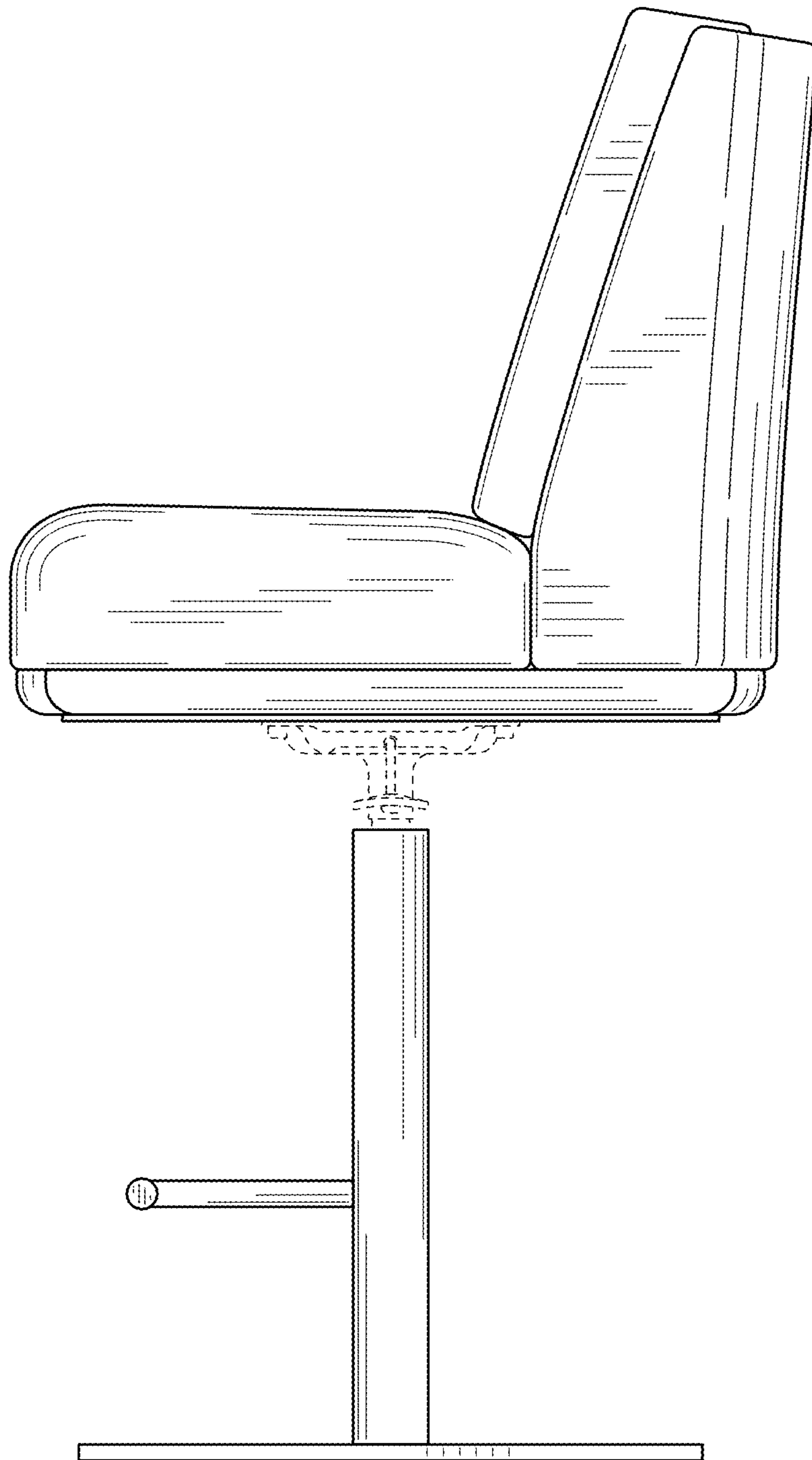


FIG. 4

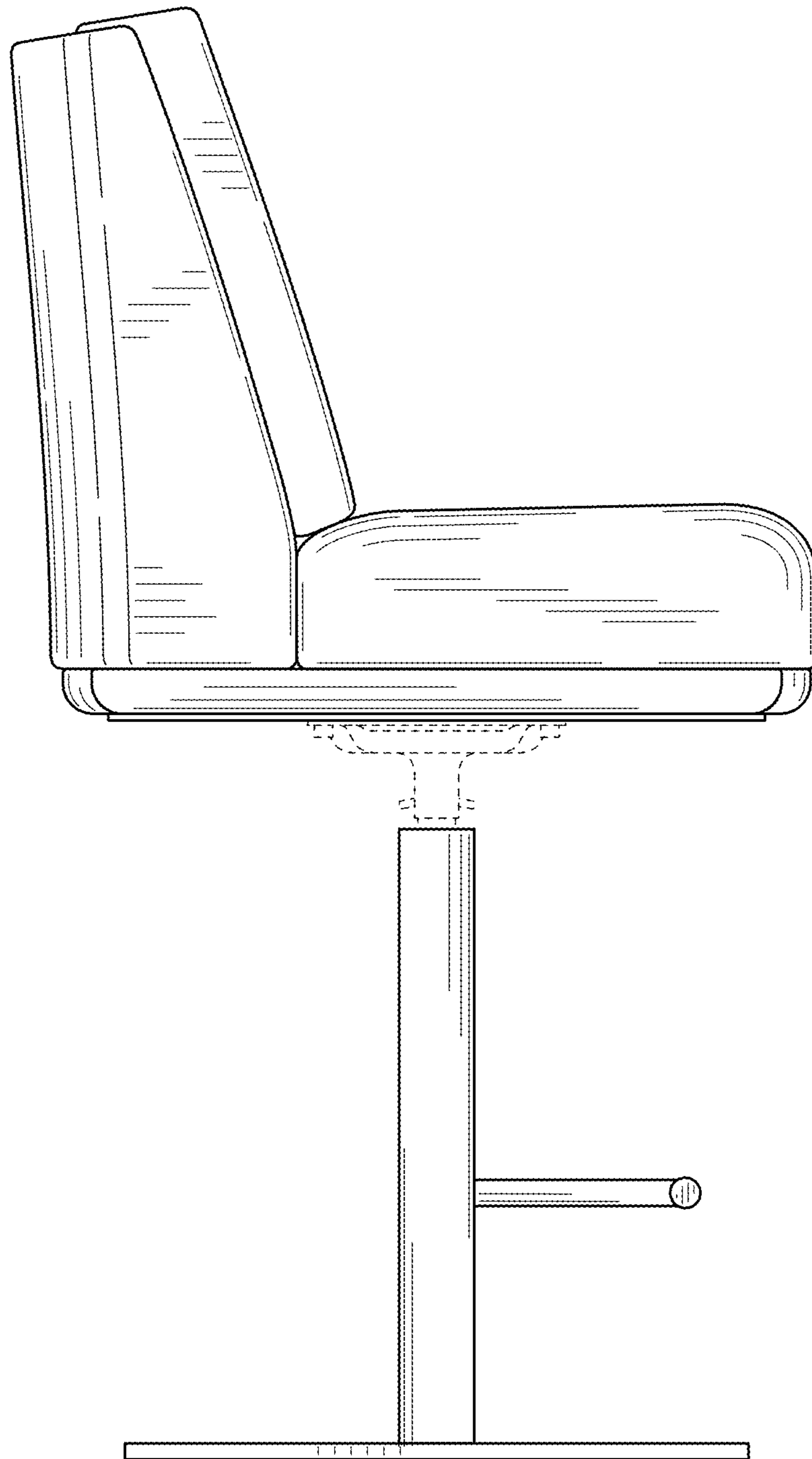


FIG. 5

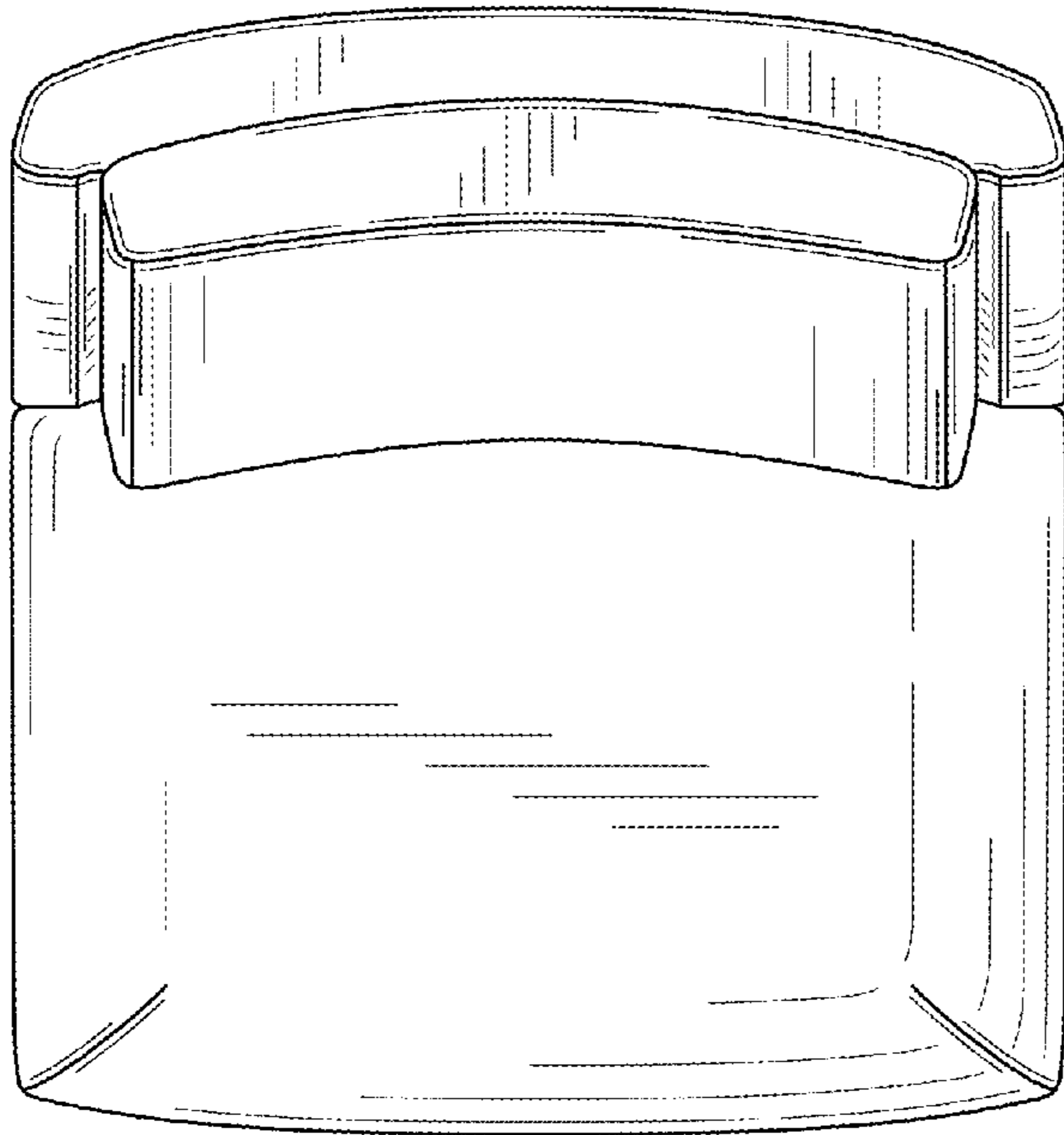


FIG. 6

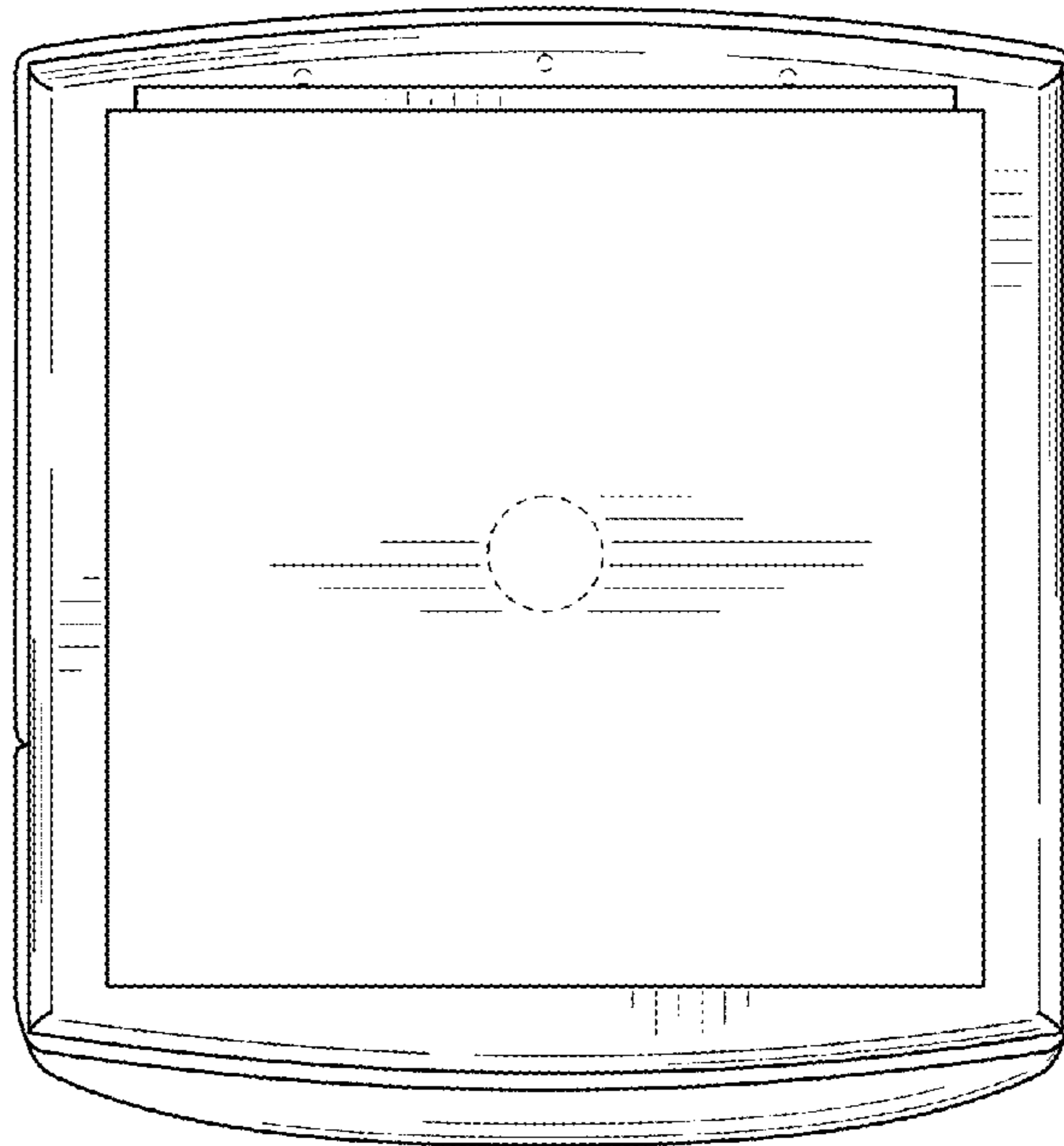


FIG. 7