



US00D742125S

(12) **United States Design Patent**
Mountz et al.

(10) **Patent No.:** **US D742,125 S**
(45) **Date of Patent:** **** Nov. 3, 2015**

(54) **INFANT ROCKING CHAIR**

(71) Applicant: **Wonderland Nurserygoods Company Limited**, Kwai Chung, N.T. (HK)

(72) Inventors: **Jonathan K. Mountz**, Birdsboro, PA (US); **William Bellows**, Wyomissing, PA (US)

(73) Assignee: **WONDERLAND NURSERYGOODS COMPANY LIMITED**, Kwai Chung, N.T. (HK)

(**) Term: **14 Years**

(21) Appl. No.: **29/499,046**

(22) Filed: **Aug. 11, 2014**

(51) **LOC (10) Cl.** **06-01**

(52) **U.S. Cl.**
USPC **D6/348**

(58) **Field of Classification Search**
USPC D6/333, 334, 335, 336, 344, 348, 375, D6/715; D21/412, 688
CPC A47D 13/00; A47D 13/10; A47D 13/102; A47D 13/105; A47D 13/107
See application file for complete search history.

(56) **References Cited**

U.S. PATENT DOCUMENTS

D282,791 S * 3/1986 Lockett et al. D6/333
5,411,315 A * 5/1995 Greenwood A47D 13/10
5,509,721 A * 4/1996 Huang A47D 13/107
D440,412 S * 4/2001 Huang D6/348
6,341,816 B1 * 1/2002 Chen et al. A47D 13/107

6,378,940 B1 * 4/2002 Longoria et al. A47D 13/00
6,574,806 B1 * 6/2003 Maher A47D 13/10
6,682,148 B1 * 1/2004 Chen A47D 13/102
D492,851 S * 7/2004 Kane D6/348
6,902,230 B2 * 6/2005 Chen A47D 13/107
D612,621 S * 3/2010 Ekstrom D6/333
8,382,203 B2 * 2/2013 Gilbert et al. A47D 13/00
D680,764 S * 4/2013 Chen D6/344
8,419,132 B2 * 4/2013 Jacobs A47D 13/10
8,491,401 B2 * 7/2013 Szymanski A47D 13/105
8,757,716 B2 * 6/2014 Ru et al. A47D 13/107

* cited by examiner

Primary Examiner — Mimoso De

(74) *Attorney, Agent, or Firm* — Bacon & Thomas, PLLC

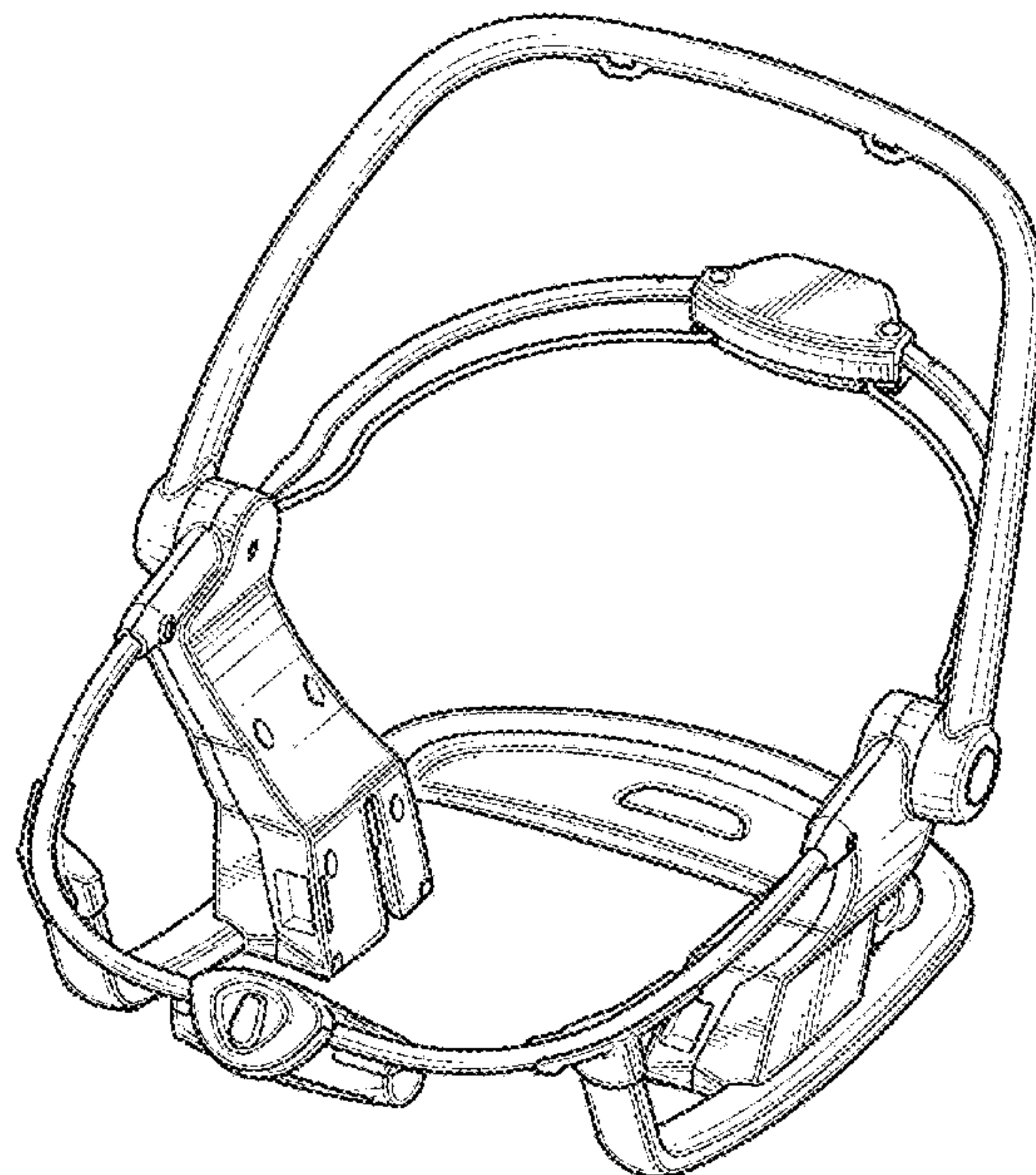
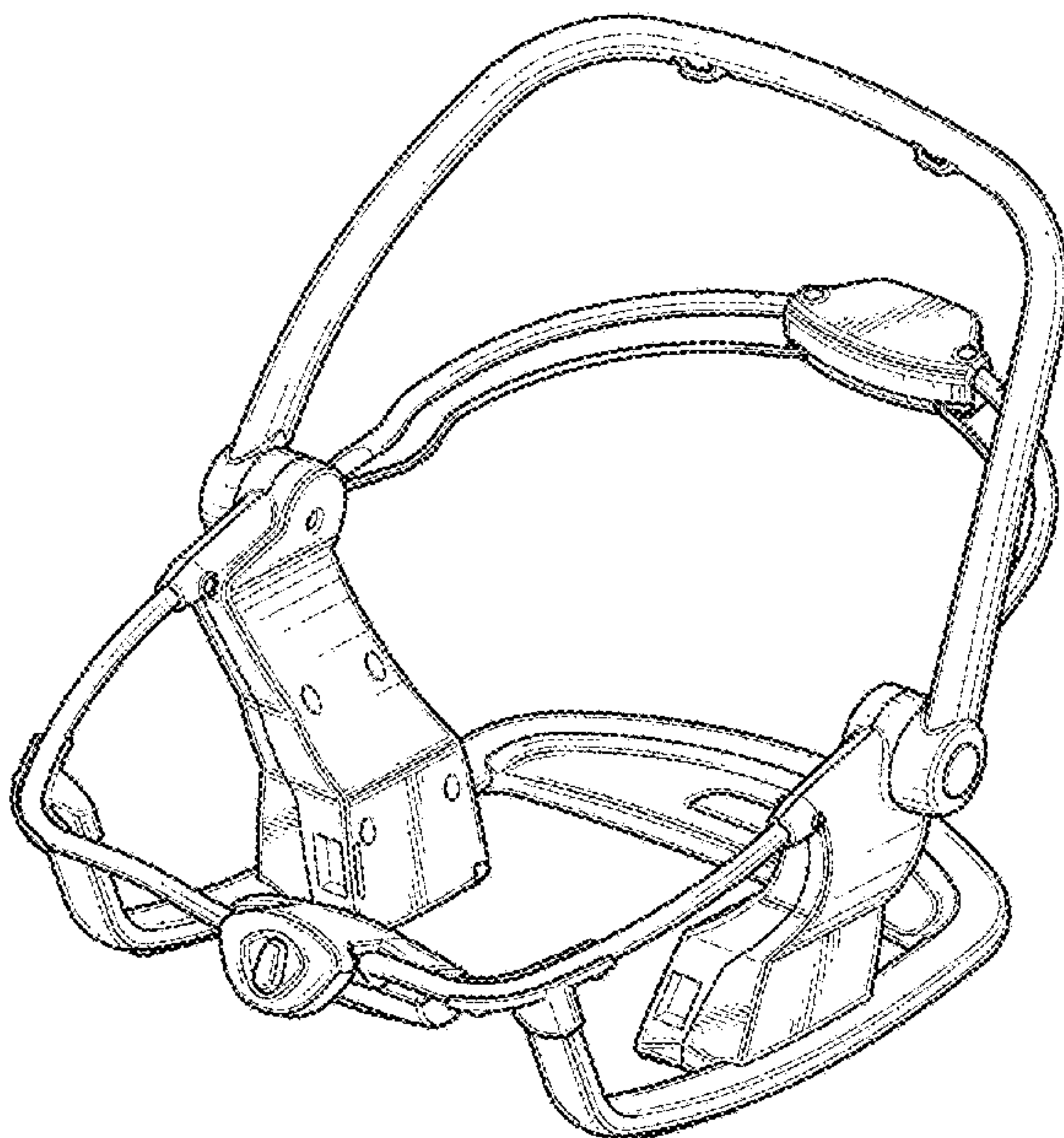
(57) **CLAIM**

The ornamental design for an infant rocking chair, as shown and described.

DESCRIPTION

FIG. 1 is a perspective view of an infant rocking chair in accordance with the first embodiment of our new design; FIG. 2 is a front view of FIG. 1; FIG. 3 is a rear view of FIG. 1; FIG. 4 is a top view of FIG. 1; FIG. 5 is a left side view of FIG. 1; FIG. 6 is a right side view of FIG. 1; FIG. 7 is a perspective view of an infant rocking chair in accordance with the second embodiment of our new design; FIG. 8 is a front view of FIG. 8; FIG. 9 is a rear view of FIG. 8; FIG. 10 is a top view of FIG. 8; FIG. 11 is a left side view of FIG. 8; and, FIG. 12 is a right side view of FIG. 8.

1 Claim, 8 Drawing Sheets



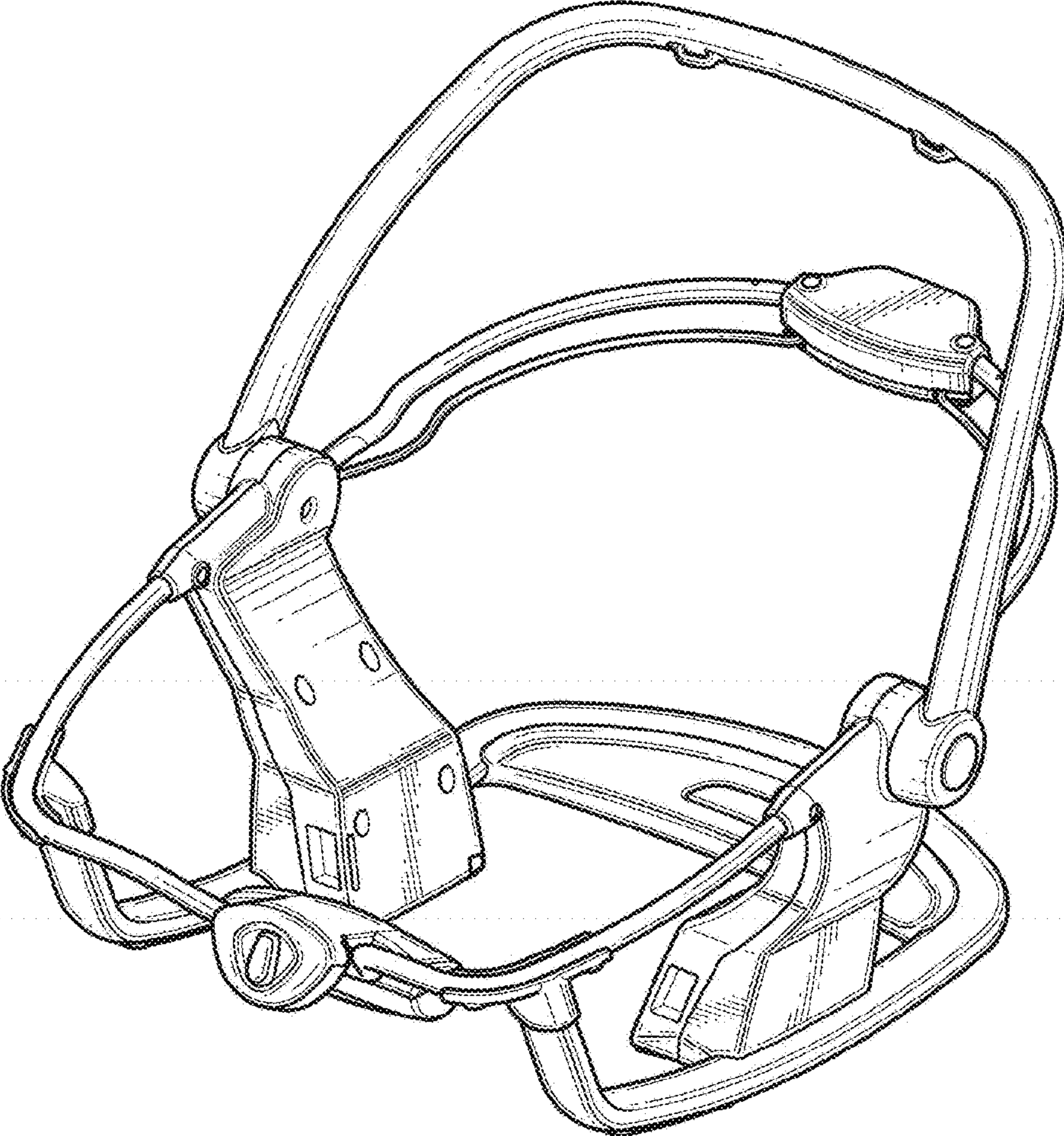


Fig. 1

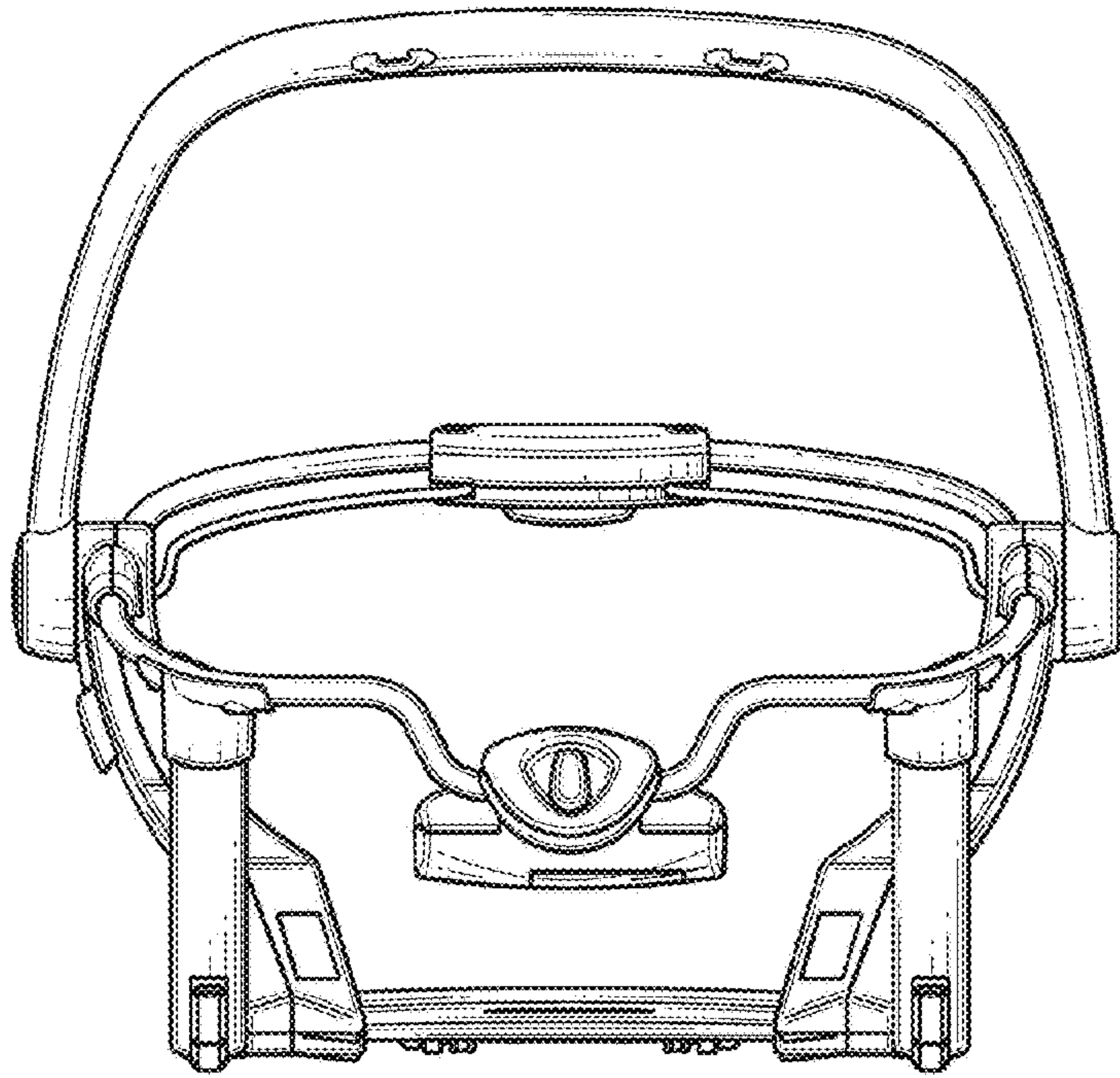


Fig.2

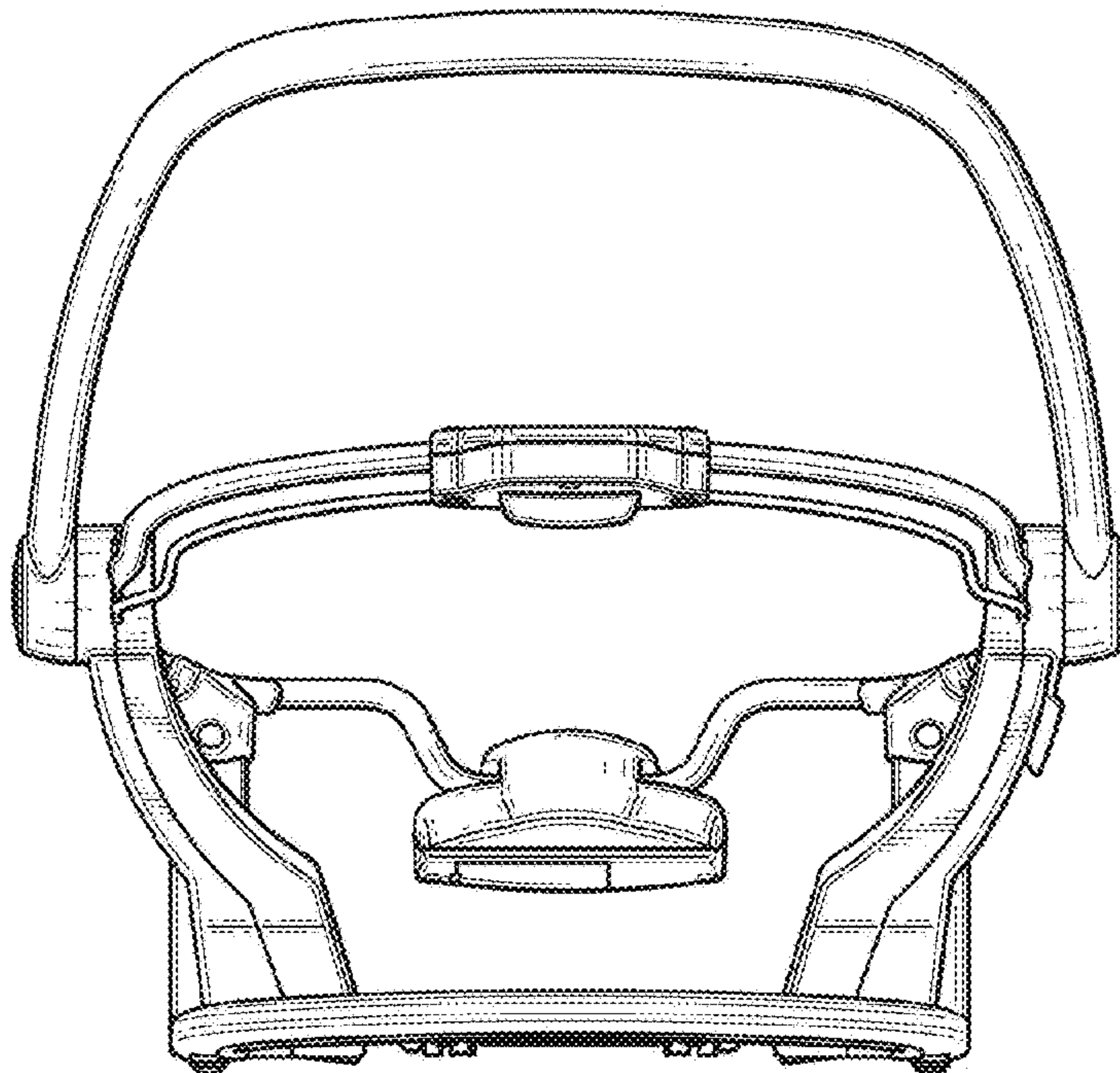


Fig.3

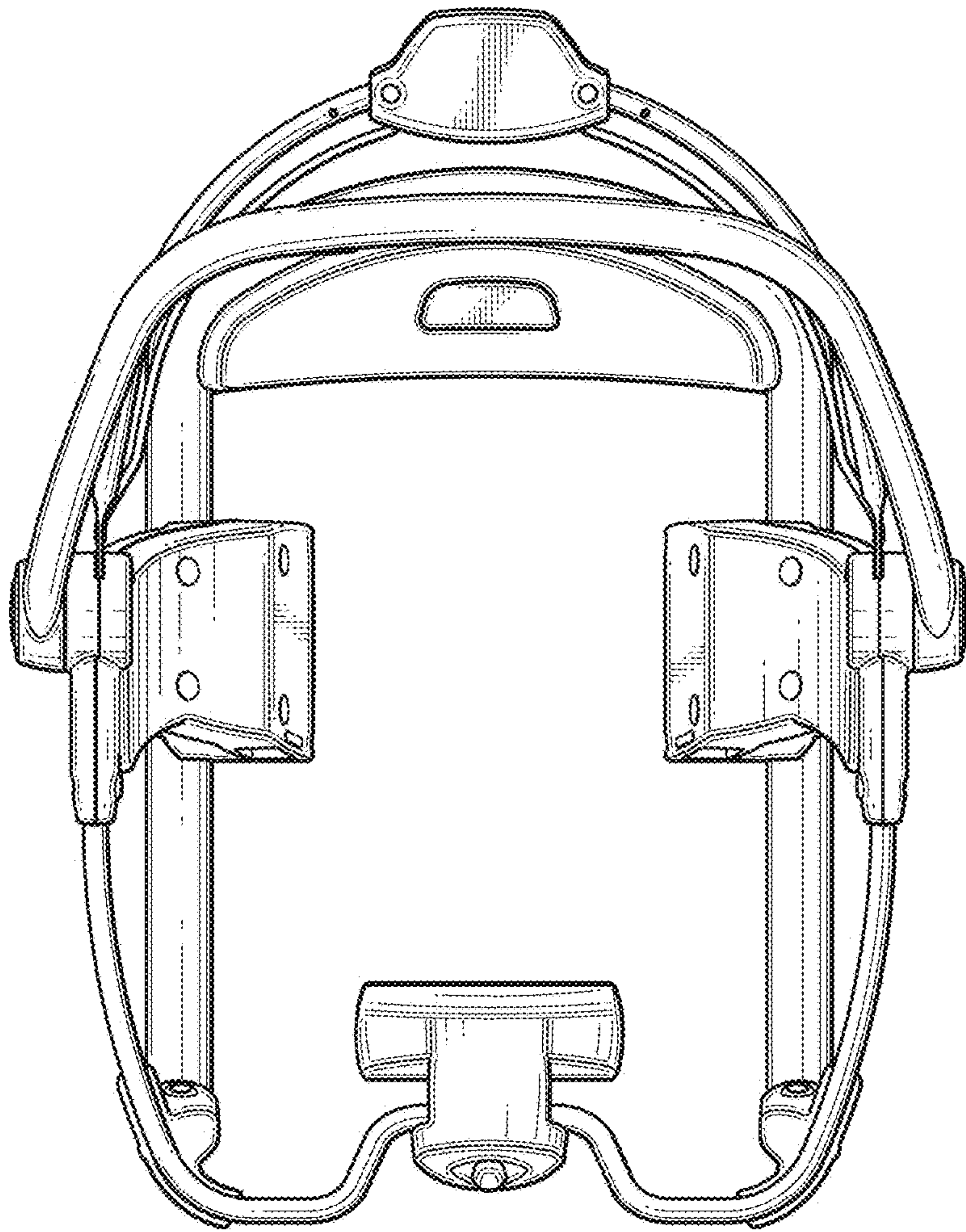


Fig.4

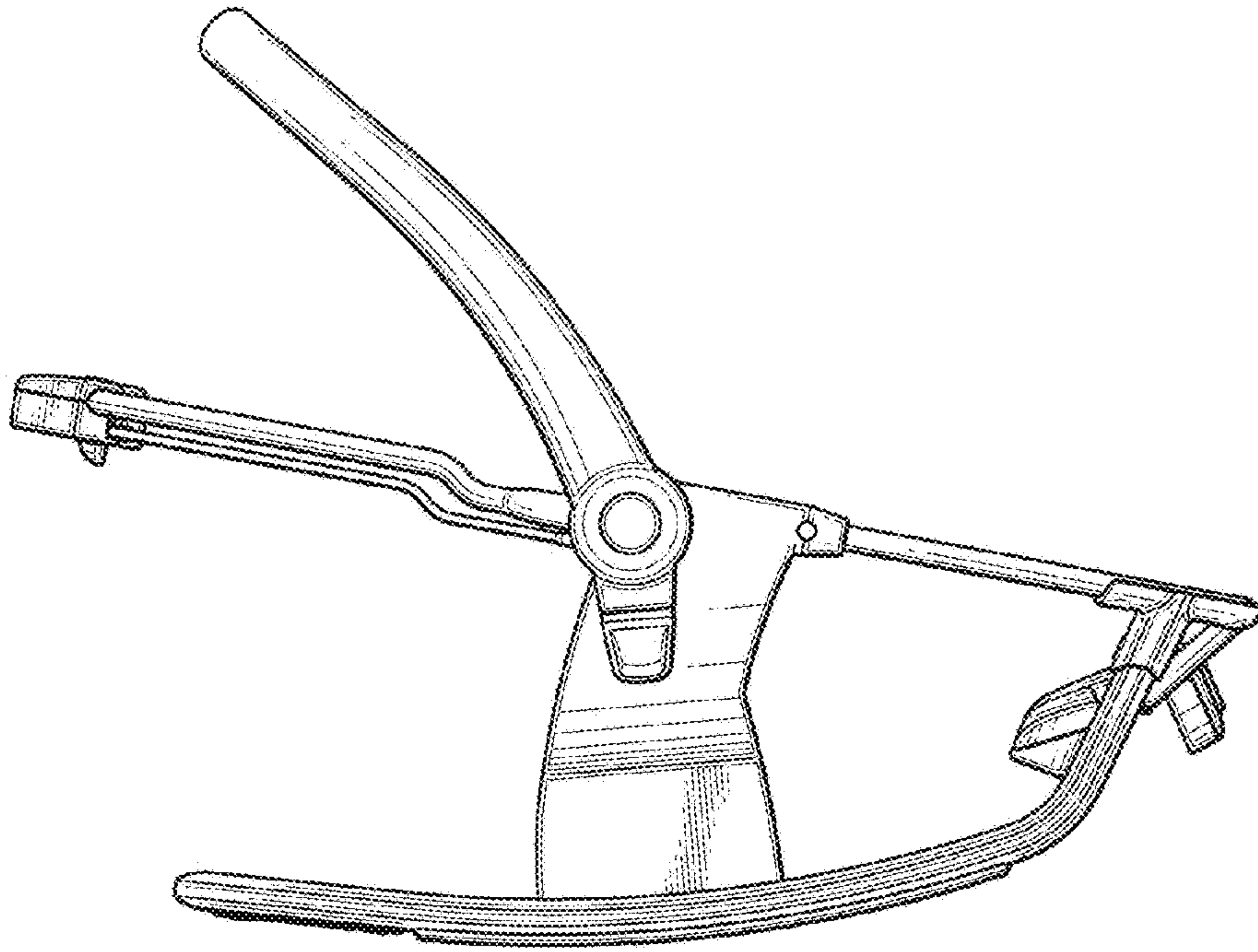


Fig. 5

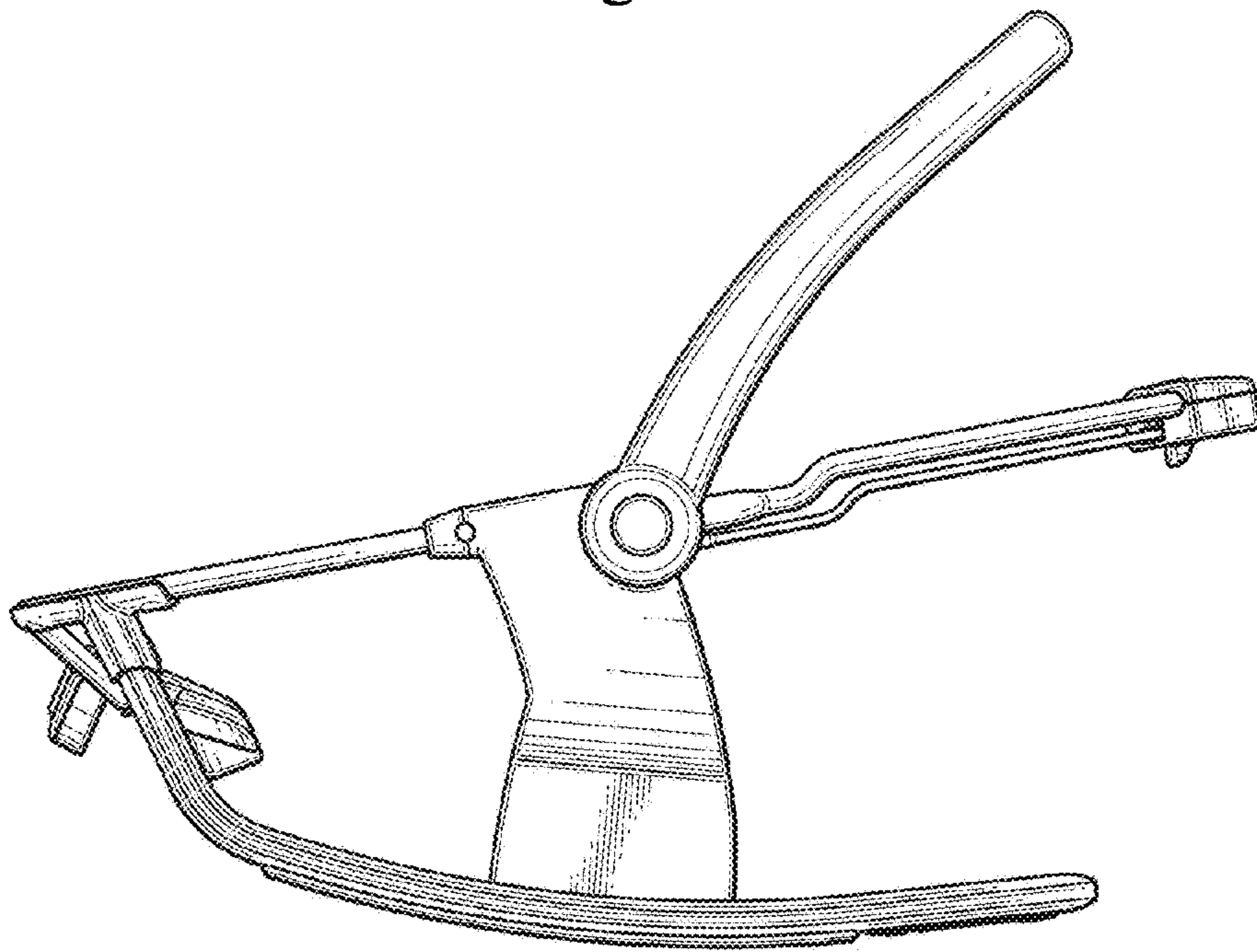


Fig. 6

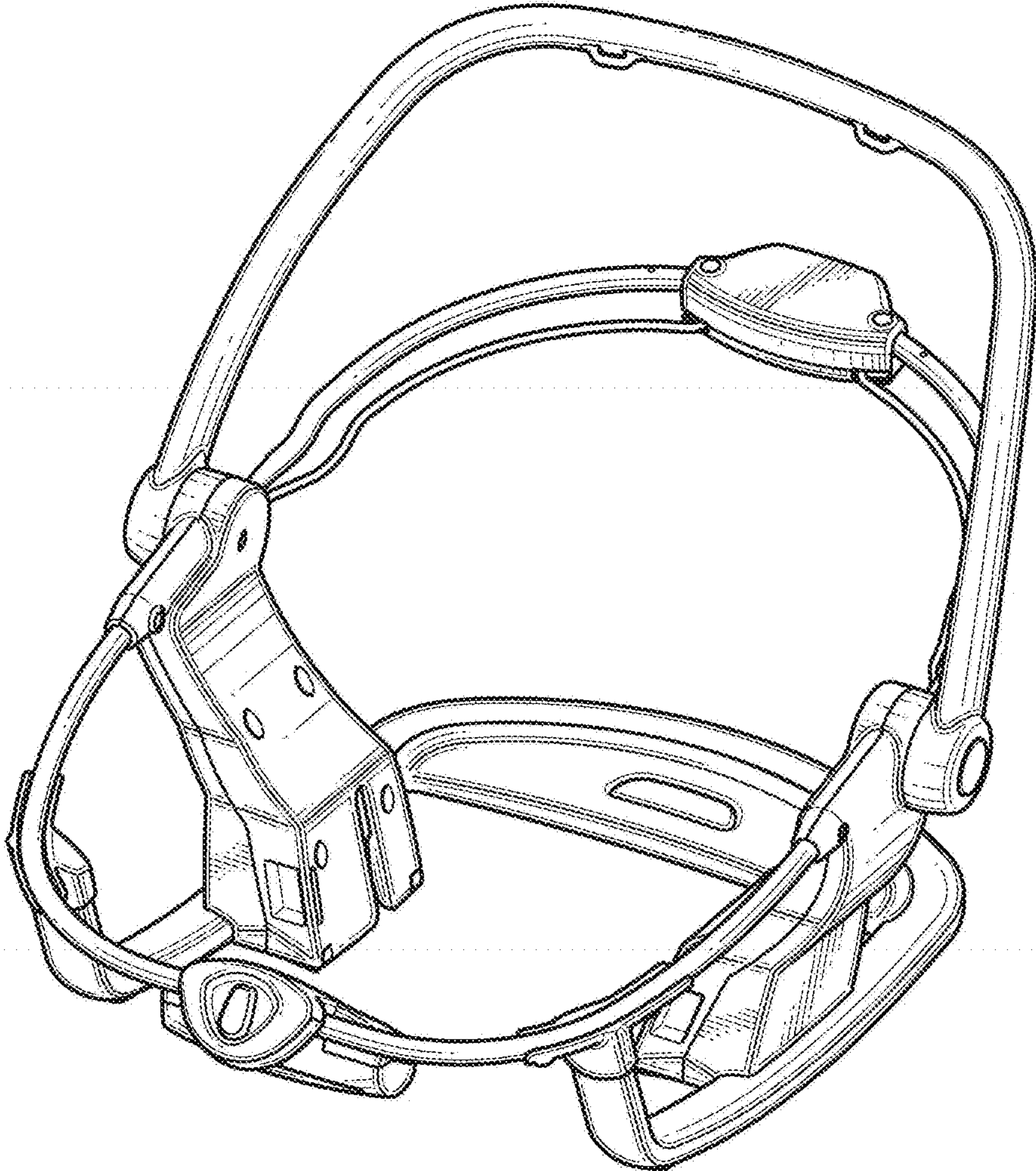


Fig. 7

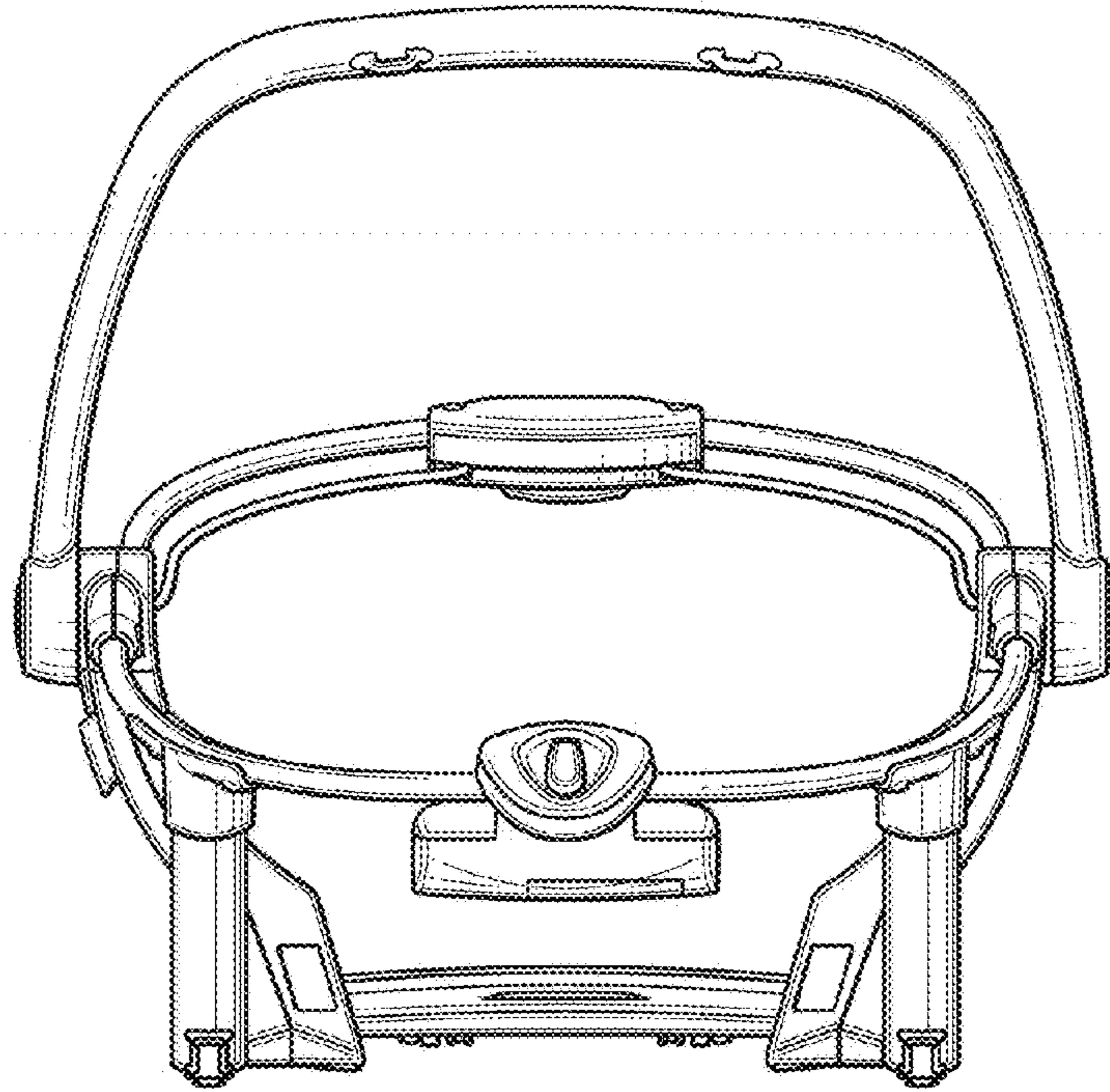


Fig. 8

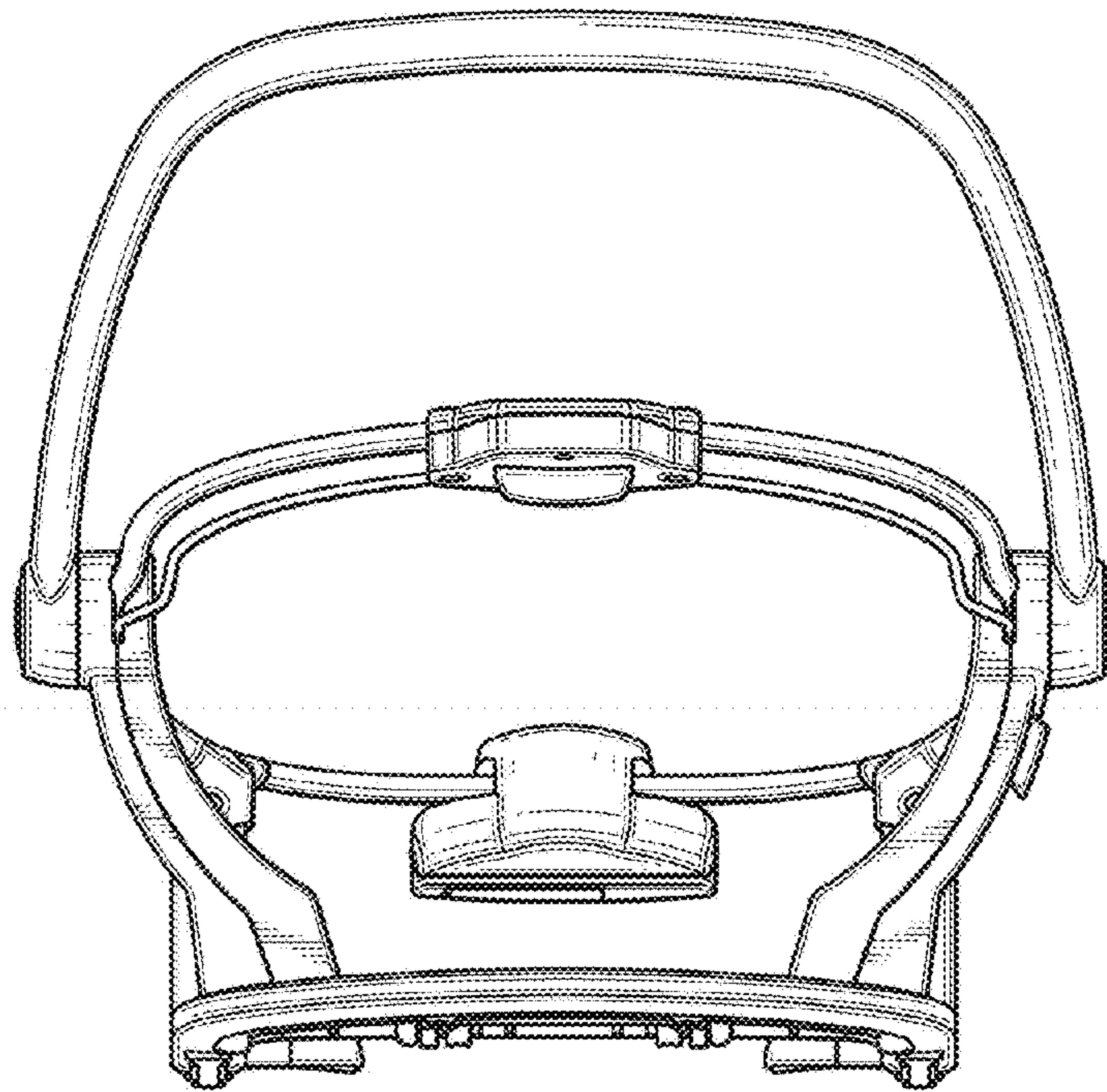


Fig. 9

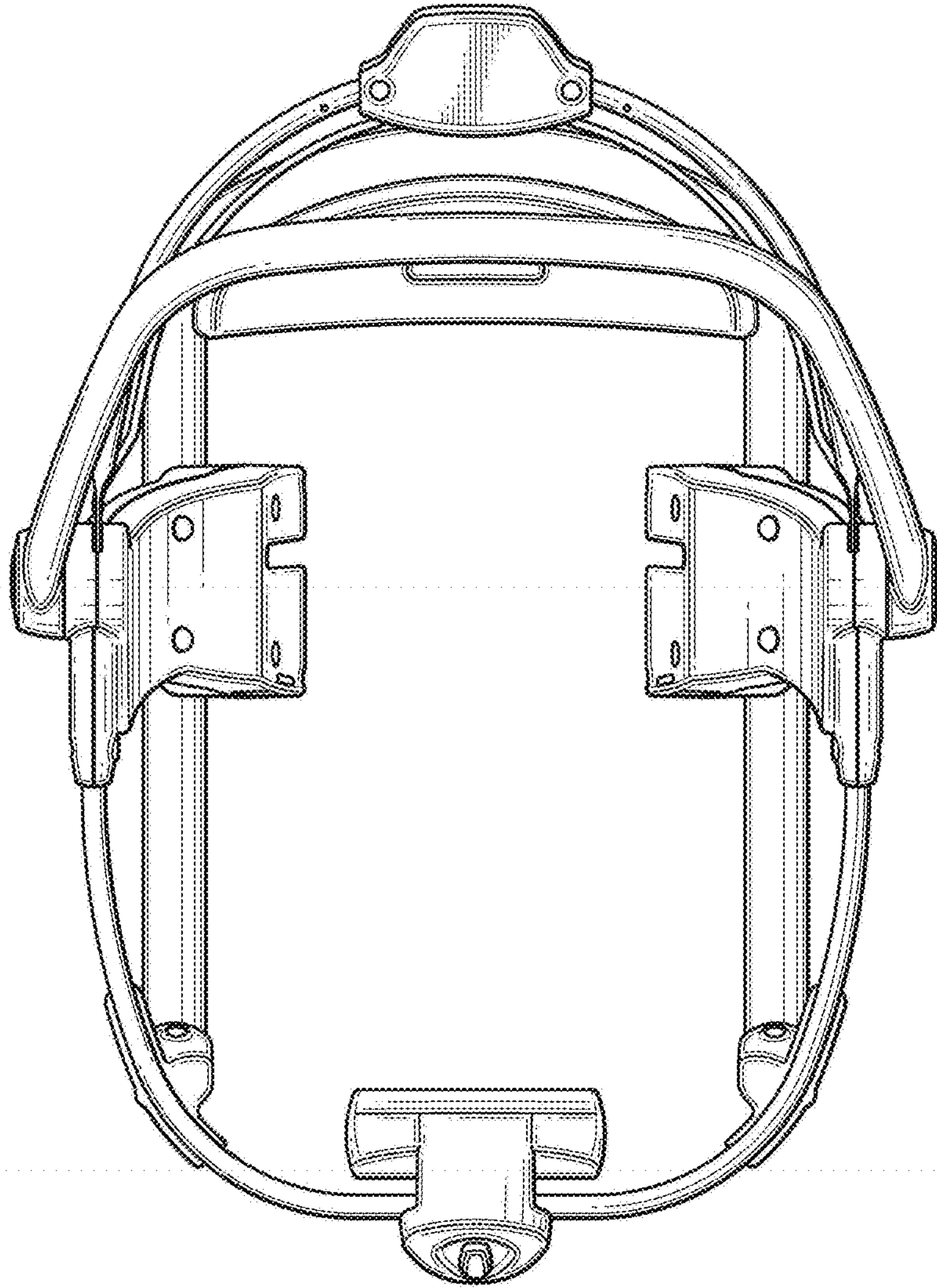


Fig. 10

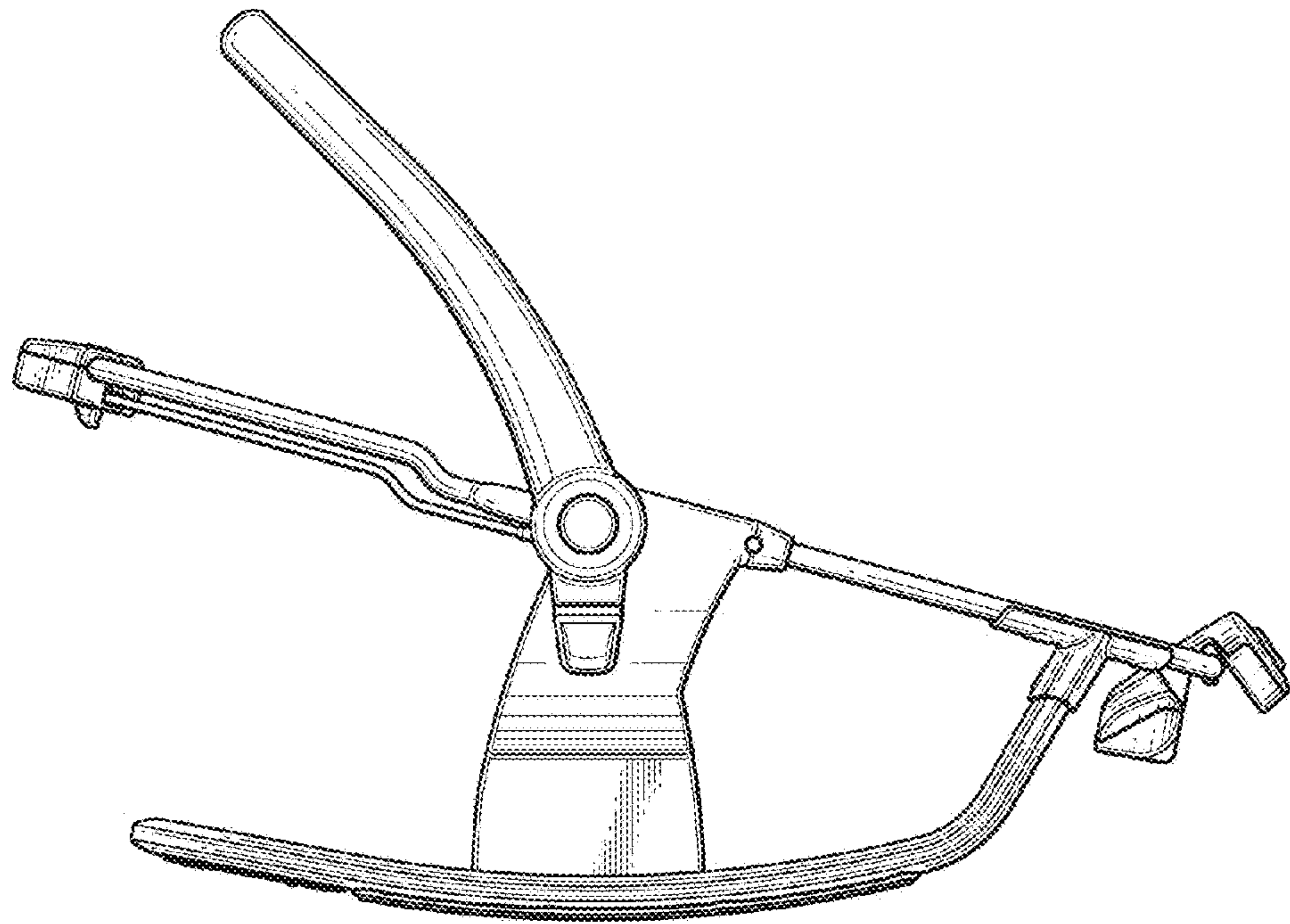


Fig. 11

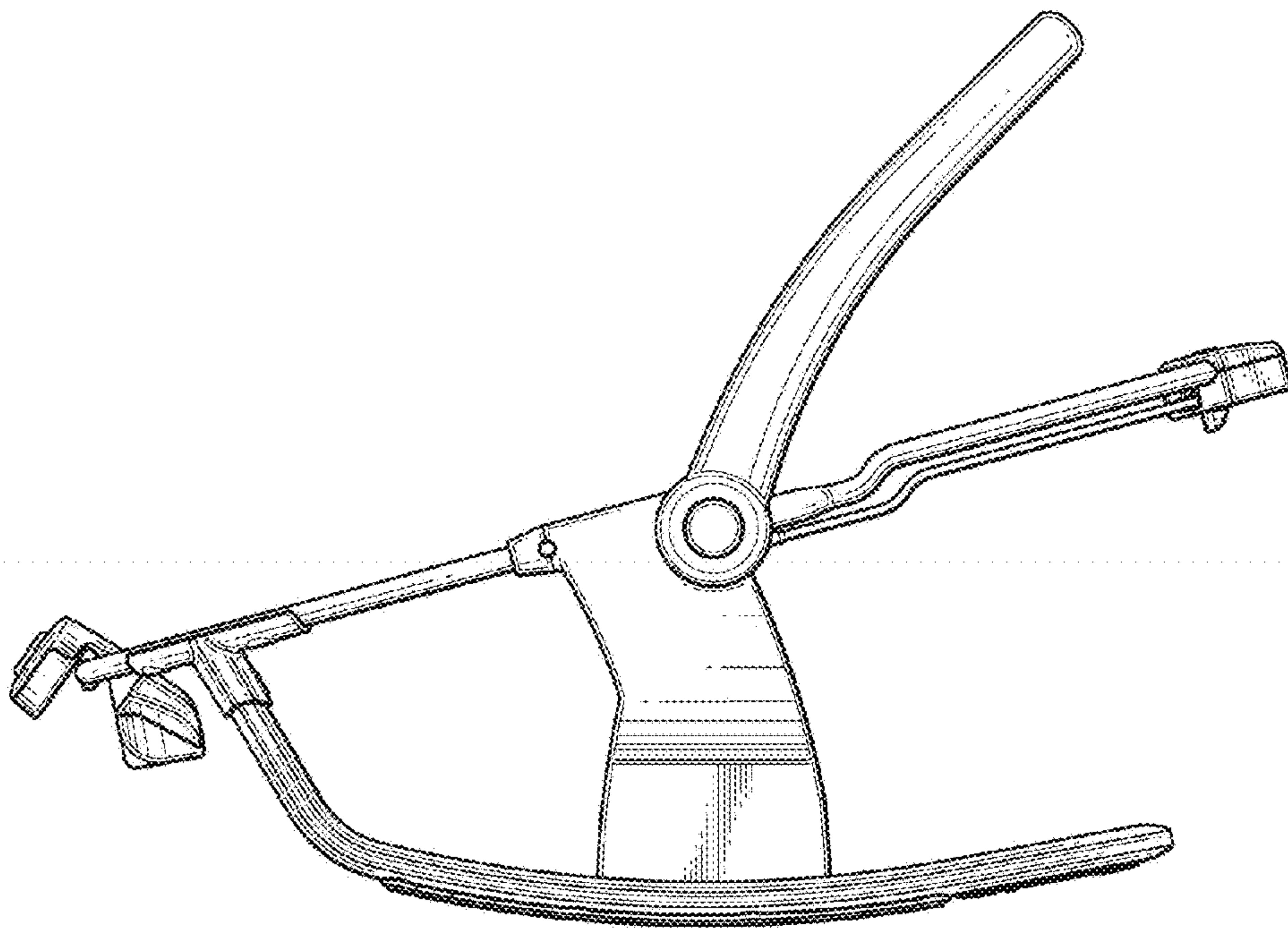


Fig. 12