

US00D742124S

(12) **United States Design Patent**  
**Vanderheyden et al.**

(10) **Patent No.:** **US D742,124 S**  
(45) **Date of Patent:** **\*\* Nov. 3, 2015**

(54) **DECORATIVE DISPLAY**

(71) Applicant: **3M INNOVATIVE PROPERTIES COMPANY**, St. Paul, MN (US)

(72) Inventors: **Jacob P. Vanderheyden**, St. Paul, MN (US); **Judd D. Olson**, Deephaven, MN (US); **Stephan A. Hawthorne**, Minneapolis, MN (US); **Thomas W. Floyd**, St. Paul, MN (US)

(73) Assignee: **3M INNOVATIVE PROPERTIES COMPANY**, St. Paul, MN (US)

(\*\*) Term: **14 Years**

(21) Appl. No.: **29/484,169**

(22) Filed: **Mar. 6, 2014**

(51) **LOC (10) Cl.** ..... **06-07**

(52) **U.S. Cl.**  
USPC ..... **D6/300; D6/563**

(58) **Field of Classification Search**  
USPC ..... D6/300–314, 553; D9/432, 433, 424, D9/430, 414, 415, 418, 737, 740, 743–745, D9/759, 700, 760; D7/354, 553.3, 553.2; 248/467; D10/21, 24, 25; D11/131, D11/132, 140; 428/900; 40/711, 730, 754, 40/746, 757, 761, 781, 597, 600  
CPC ..... A47G 1/06; A47G 1/142; A47G 1/065; A47G 1/16; A47G 1/1646; A47G 1/1686; A47G 2001/0666; B65D 75/22  
See application file for complete search history.

(56) **References Cited**

**U.S. PATENT DOCUMENTS**

1,610,423 A	12/1926	Cawley	
3,885,336 A *	5/1975	Olsen	40/711
3,952,435 A *	4/1976	Olsen	40/711
3,979,846 A	9/1976	Euzarraga	
4,040,593 A	8/1977	Wiley	
4,143,496 A	3/1979	Destito	

4,437,639 A	3/1984	Stein	
4,561,200 A	12/1985	Hehn	
D282,825 S *	3/1986	Kostios	D10/25
4,875,259 A	10/1989	Appeldorn	

(Continued)

**FOREIGN PATENT DOCUMENTS**

WO WO 96/16580 6/1996

**OTHER PUBLICATIONS**

Vanderheyden, U.S. Appl. No. 29/484,172, filed Mar. 6, 2014, entitled "Decorative Display".

(Continued)

*Primary Examiner* — Cathron Brooks

*Assistant Examiner* — Teddy Falloway

(74) *Attorney, Agent, or Firm* — Irina Haas

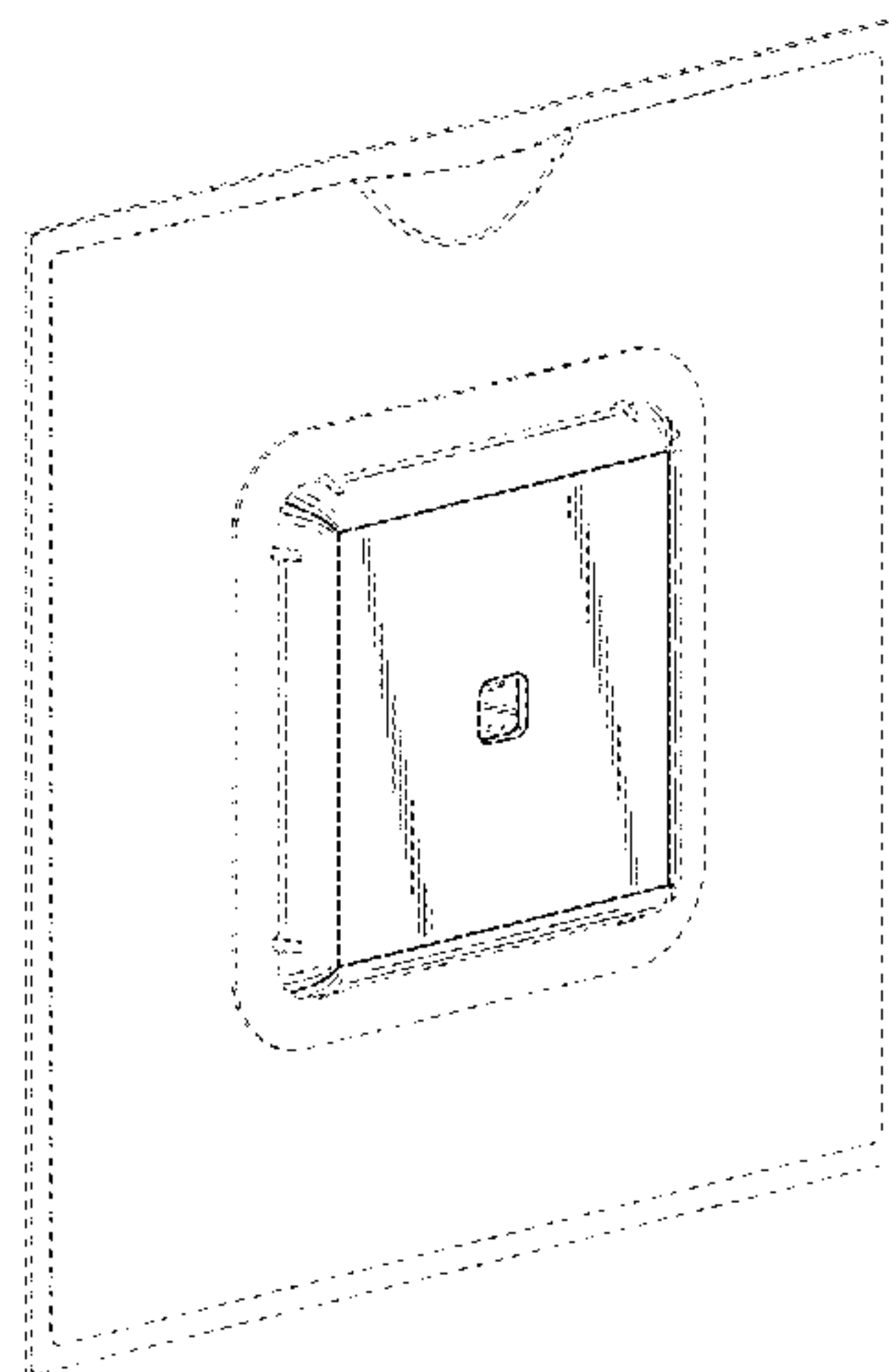
(57) **CLAIM**

The ornamental design for a decorative display, as shown and described.

**DESCRIPTION**

FIG. 1 is a perspective view showing the new design for a decorative display;  
FIG. 2 is a front view thereof;  
FIG. 3 is a rear view thereof;  
FIG. 4 is a left side view thereof, a right side view being a mirror image thereof;  
FIG. 5 is a top view thereof;  
FIG. 6 is a bottom view thereof;  
FIG. 7 is a cross-sectional view taken along line 7-7 of FIG. 2; and,  
FIG. 8 is a perspective view thereof showing the decorative display with a decorative display base.  
The portions of the decorative display in FIGS. 1-8 shown in broken lines are included to show features that form no part of the claimed design.

**1 Claim, 5 Drawing Sheets**



(56)

References Cited

U.S. PATENT DOCUMENTS

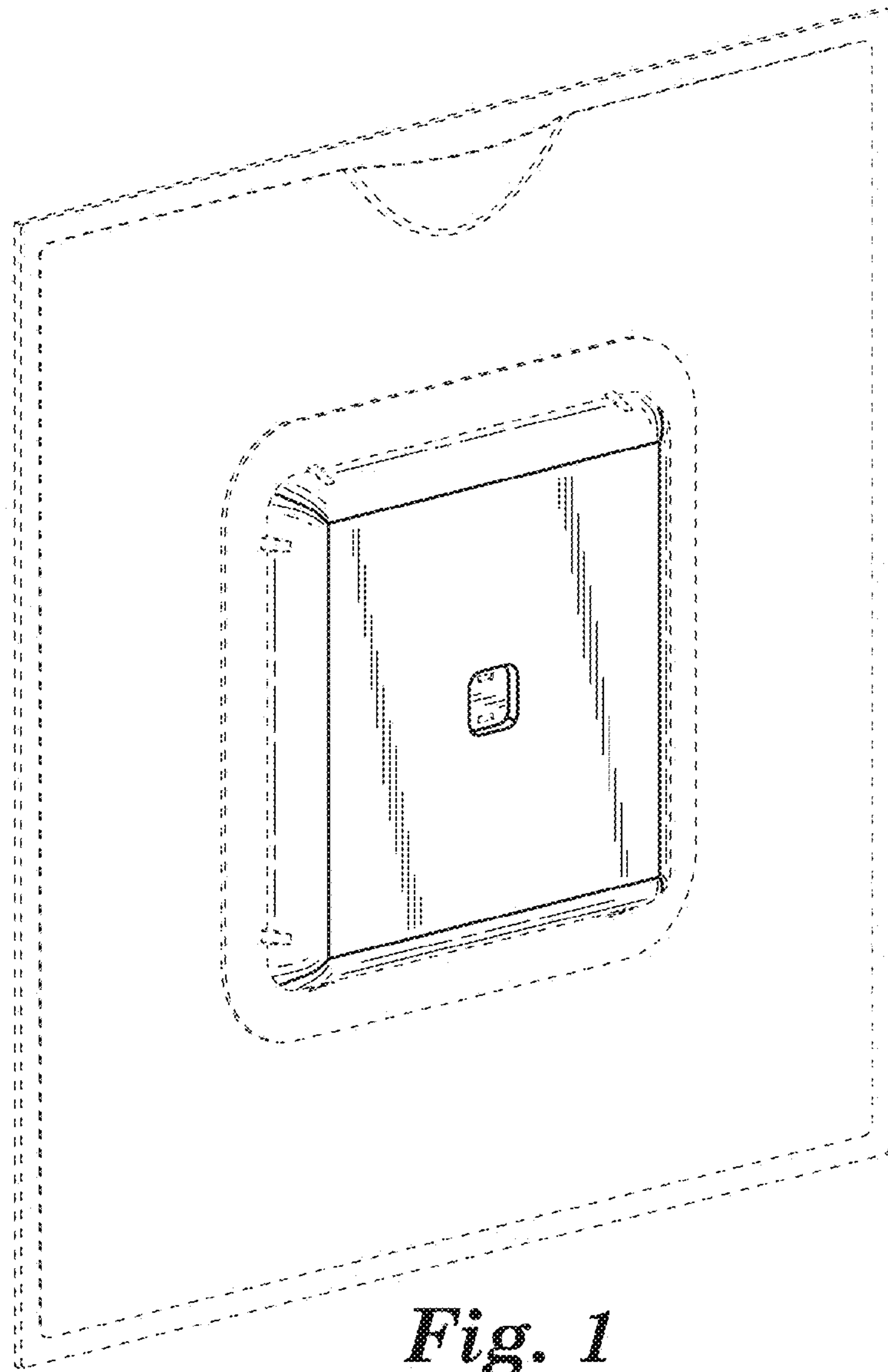
4,892,284 A 1/1990 Kelrick  
 4,900,604 A 2/1990 Martinez et al.  
 4,979,323 A \* 12/1990 Wenkman et al. .... 40/746  
 5,069,411 A 12/1991 Murphy  
 5,075,991 A \* 12/1991 Wenkman et al. .... 40/781  
 5,077,870 A 1/1992 Melbye  
 5,133,526 A 7/1992 Olmsted  
 5,201,110 A 4/1993 Bane  
 5,256,231 A 10/1993 Gorman  
 D340,810 S \* 11/1993 Wenkman ..... D6/309  
 5,342,014 A 8/1994 Wilson  
 5,360,270 A 11/1994 Appeldorn  
 5,523,129 A 6/1996 McGeehan-Hatch  
 D377,451 S \* 1/1997 Gumowitz et al. .... D9/432  
 5,616,394 A 4/1997 Gorman et al.  
 D380,962 S \* 7/1997 Trigger ..... D9/415  
 5,743,507 A 4/1998 Rushing  
 5,845,375 A 12/1998 Miller et al.  
 5,878,987 A 3/1999 Hayde  
 5,931,439 A 8/1999 Lemire  
 5,947,438 A 9/1999 Lemire  
 6,032,915 A 3/2000 Brindisi  
 6,086,973 A 7/2000 Hazes  
 6,241,210 B1 6/2001 Brindisi  
 6,408,795 B1 6/2002 Goodger  
 D463,741 S \* 10/2002 Green ..... D9/415  
 6,527,244 B1 3/2003 Kamenstein  
 D475,620 S \* 6/2003 Chen et al. .... D9/425  
 6,666,425 B1 12/2003 Ferguson  
 6,692,807 B2 2/2004 Bries  
 D489,599 S 5/2004 Lam  
 6,820,853 B1 11/2004 DuBarry  
 6,832,445 B2 12/2004 Pitzen  
 6,972,141 B1 12/2005 Bries et al.  
 D519,375 S \* 4/2006 Brooks ..... D9/456  
 7,303,805 B2 12/2007 Seth  
 D571,146 S \* 6/2008 Sanfilippo et al. .... D7/391

D584,141 S \* 1/2009 Smith et al. .... D9/425  
 D590,655 S \* 4/2009 Freeman ..... D7/360  
 7,516,524 B2 4/2009 Provost  
 D591,555 S \* 5/2009 Sanfilippo et al. .... D7/391  
 D600,111 S \* 9/2009 Gerulski et al. .... D9/424  
 7,762,517 B1 7/2010 Leseman  
 D632,955 S \* 2/2011 Smith et al. .... D9/415  
 7,913,967 B1 3/2011 Aleo  
 8,397,411 B2 3/2013 Russo  
 D679,179 S \* 4/2013 Ritter et al. .... D9/424  
 D685,654 S \* 7/2013 Akana et al. .... D9/737  
 D690,198 S \* 9/2013 Haracourt et al. .... D9/432  
 D694,101 S \* 11/2013 Radomyselski et al. .... D9/420  
 2002/0142155 A1 10/2002 Steinberg  
 2004/0221540 A1 11/2004 Simons  
 2005/0136214 A1 6/2005 Most  
 2005/0269232 A1 \* 12/2005 Eisenbraun ..... 206/461  
 2006/0214080 A1 9/2006 de Keratry  
 2007/0065618 A1 3/2007 Fischer et al.  
 2007/0075211 A1 4/2007 Potter  
 2009/0068632 A1 3/2009 Thompson  
 2010/0096532 A1 4/2010 Grevé  
 2010/0108837 A1 5/2010 Felton  
 2010/0116964 A1 5/2010 Aleo  
 2010/0325929 A1 \* 12/2010 Favron ..... 40/638  
 2011/0042542 A1 2/2011 Russo  
 2011/0049325 A1 3/2011 Johnson  
 2011/0159234 A1 6/2011 Pai  
 2011/0163215 A1 7/2011 Walters  
 2012/0233898 A1 9/2012 Horne  
 2013/0008013 A1 1/2013 Chang  
 2014/0065278 A1 \* 3/2014 Feriola et al. .... 426/523  
 2014/0353455 A1 \* 12/2014 Floyd et al. .... 248/467

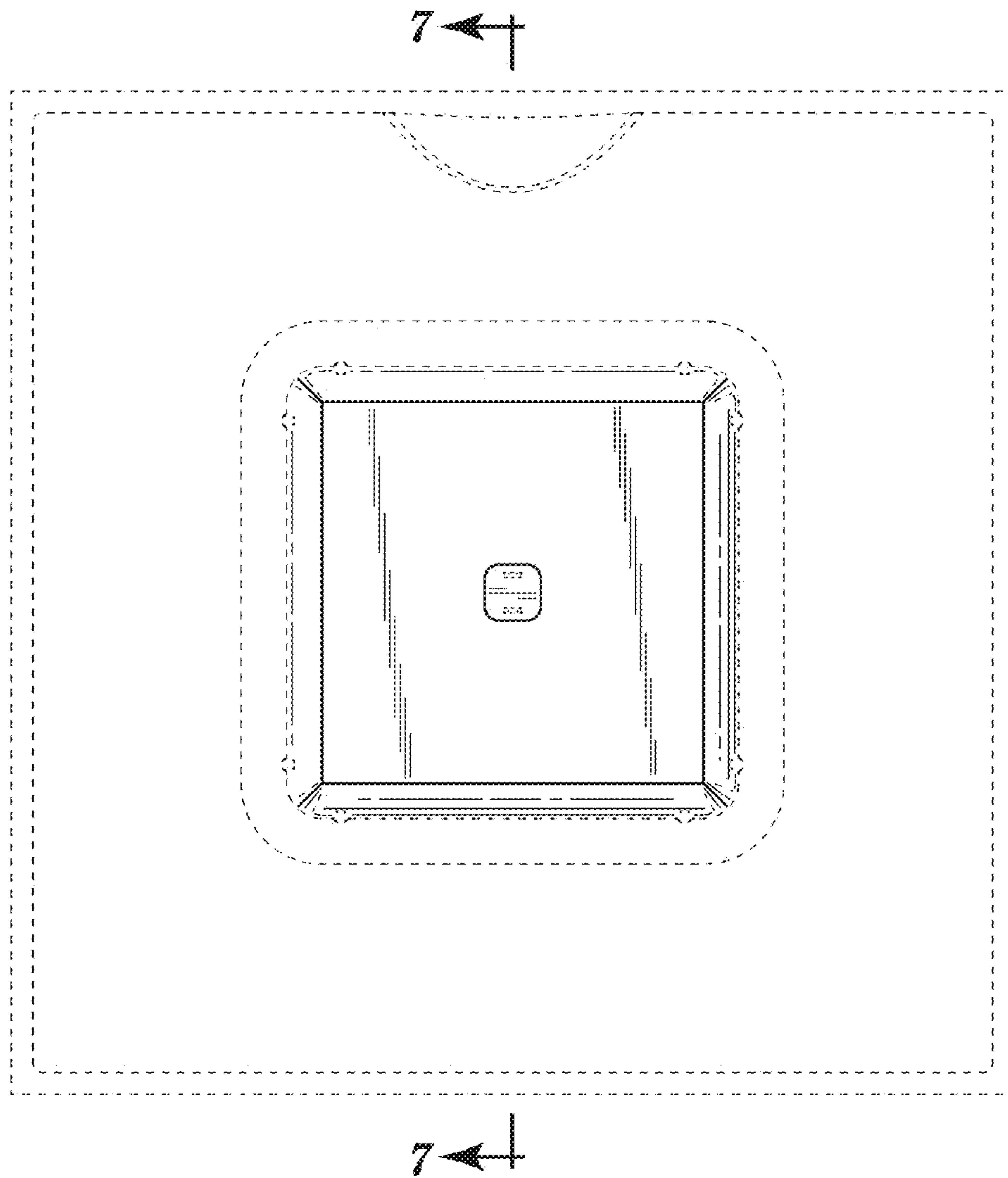
OTHER PUBLICATIONS

Vanderheyden, U.S. Appl. No. 29/484,184, filed Mar. 6, 2014, entitled "Decorative Display Base".

\* cited by examiner



*Fig. 1*

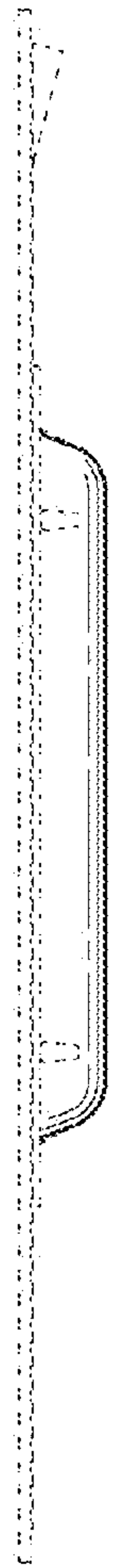


*Fig. 2*

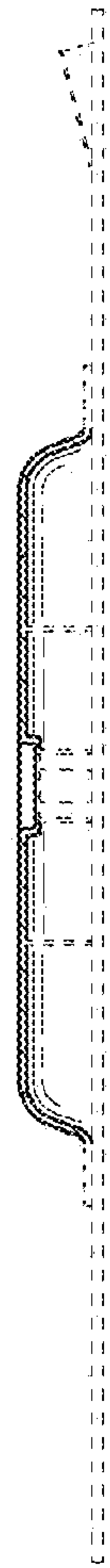


***Fig. 3***

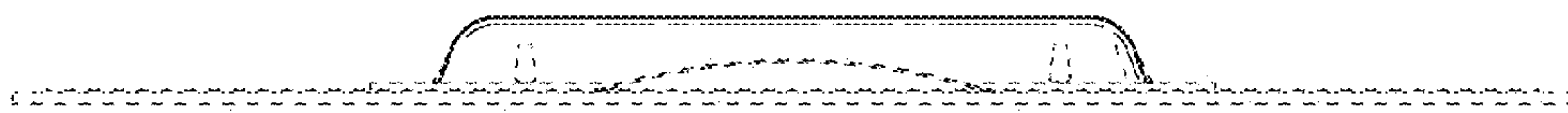




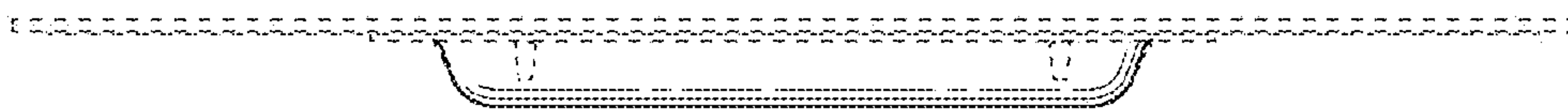
*Fig. 4*



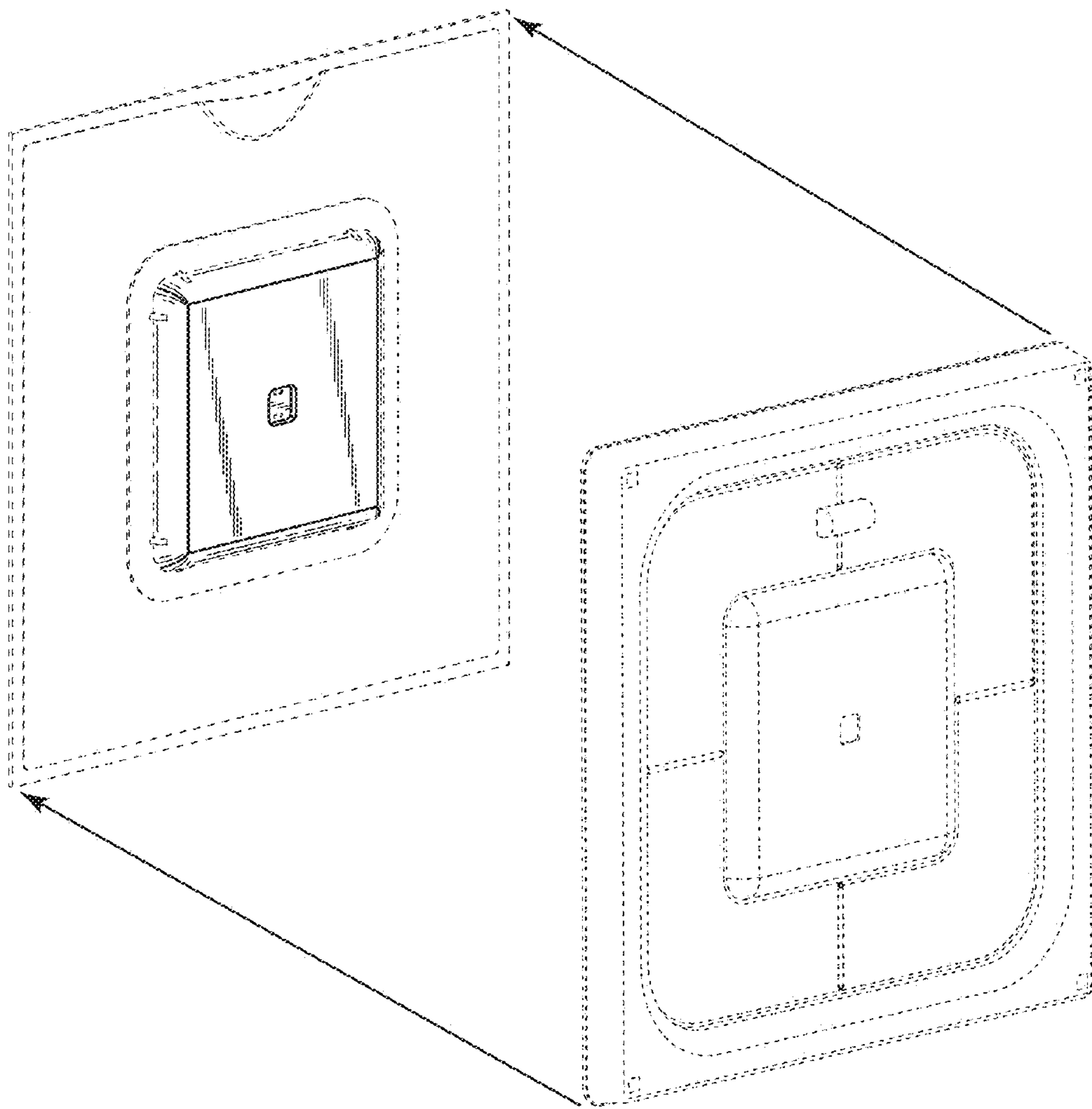
*Fig. 7*



*Fig. 5*



*Fig. 6*



*Fig. 8*

UNITED STATES PATENT AND TRADEMARK OFFICE  
**CERTIFICATE OF CORRECTION**

PATENT NO. : D742,124 S  
APPLICATION NO. : 29/484169  
DATED : November 3, 2015  
INVENTOR(S) : Vanderheyden

Page 1 of 1

It is certified that error appears in the above-identified patent and that said Letters Patent is hereby corrected as shown below:

On the title page item [74]

Line 1, delete "Irina Haas" and insert -- Irina Hass --, therefor.

Signed and Sealed this  
First Day of November, 2016



Michelle K. Lee  
*Director of the United States Patent and Trademark Office*