



US00D742120S

(12) **United States Design Patent**  
**Dalton**

(10) **Patent No.:** **US D742,120 S**

(45) **Date of Patent:** **\*\* Nov. 3, 2015**

(54) **FOLDABLE TOOTHBRUSH**

FOREIGN PATENT DOCUMENTS

(71) Applicant: **Raymond Dalton**, Knoxville, TN (US)

JP 07298924 A \* 11/1995  
KR 30-0432953 S \* 12/2006

(72) Inventor: **Raymond Dalton**, Knoxville, TN (US)

\* cited by examiner

(\*\*) Term: **14 Years**

*Primary Examiner* — Melanie H Tung  
*Assistant Examiner* — Lavone D Tabor

(21) Appl. No.: **29/450,545**

(74) *Attorney, Agent, or Firm* — Luedeka Neely Group, P.C.

(22) Filed: **Mar. 19, 2013**

(57) **CLAIM**  
The ornamental design of a foldable toothbrush, as shown and described.

(51) **LOC (10) Cl.** ..... **04-02**

(52) **U.S. Cl.**  
USPC ..... **D4/108; D4/121**

**DESCRIPTION**

(58) **Field of Classification Search**  
USPC ..... D4/104–112, 121; 15/167.1, 167.2,  
15/184, 185; 132/308, 309, 311  
CPC .... A46B 5/002; A46B 5/0033; A46B 5/0075;  
A46B 5/0079; A46B 5/0083; A46B 9/00;  
A46B 9/02; A46B 9/04; A46B 9/045; A46B  
15/0095; A46B 17/04; A46B 2200/10; A46B  
2200/1066; A46B 2200/1073; A46B  
2200/1086  
See application file for complete search history.

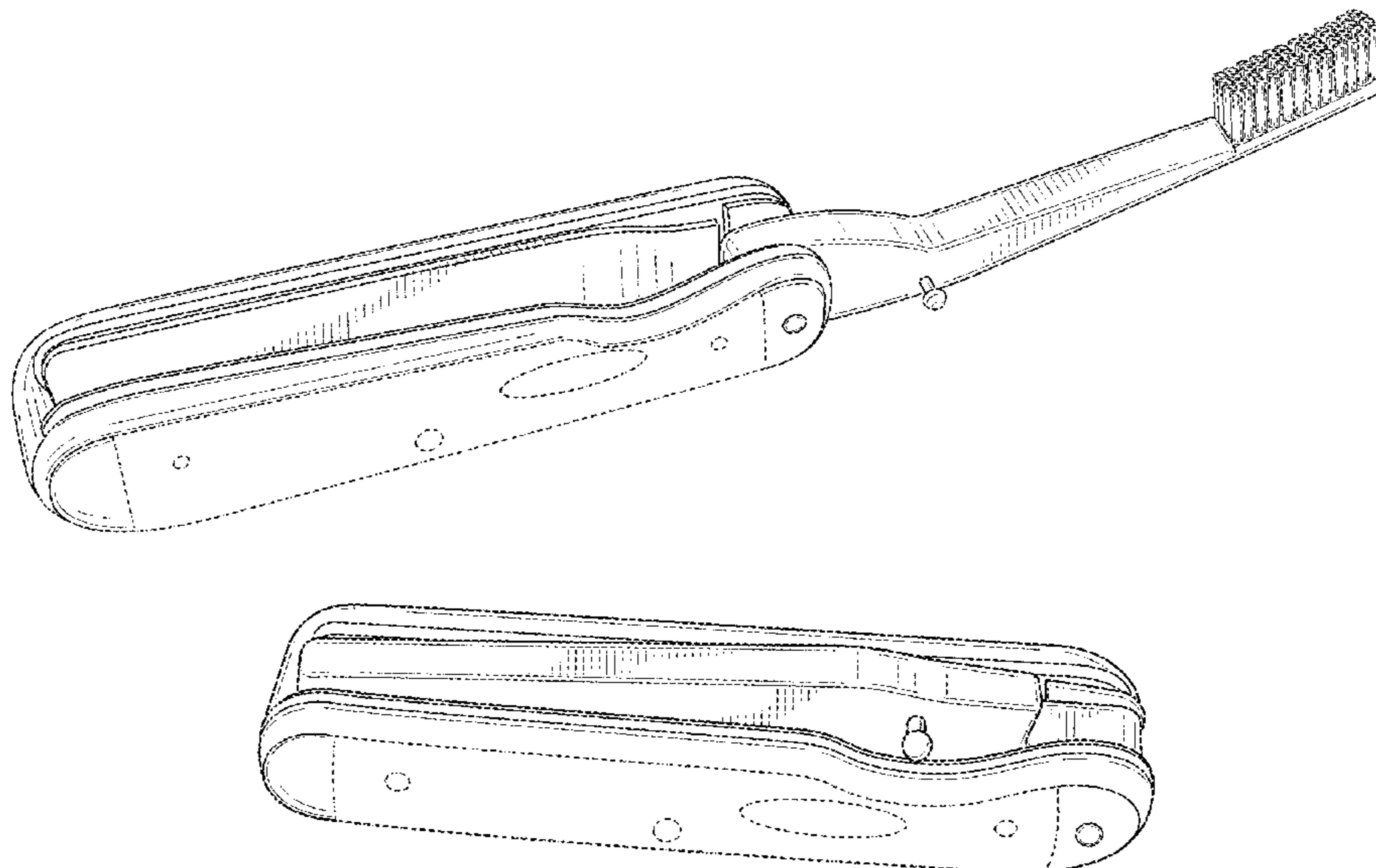
FIG. 1 is a perspective view of the foldable toothbrush in an opened configuration;  
FIG. 2 is a side view of the foldable toothbrush in an opened configuration, the opposite side being a mirror image;  
FIG. 3 is a front view of the foldable toothbrush in an opened configuration;  
FIG. 4 is a rear view of the foldable toothbrush in an opened configuration;  
FIG. 5 is a top view of the foldable toothbrush in an opened configuration;  
FIG. 6 is a bottom view of the foldable toothbrush in an opened configuration;  
FIG. 7 is a perspective view of the foldable toothbrush in a closed configuration;  
FIG. 8 is a side view of the foldable toothbrush in a closed configuration, the opposite side being a mirror image;  
FIG. 9 is a top view of the foldable toothbrush in a closed configuration; and,  
FIG. 10 is a bottom view of the foldable toothbrush in a close configuration.

(56) **References Cited**

U.S. PATENT DOCUMENTS

1,304,769	A *	5/1919	Hendrickson	.....	15/185
2,744,278	A *	5/1956	Roth	.....	15/185
D310,915	S *	10/1990	Ambasz	.....	D4/108
D381,809	S *	8/1997	Chee et al.	.....	D4/108
D506,068	S *	6/2005	Senyuva	.....	D4/108
D516,317	S *	3/2006	Wong	.....	D4/108
2005/0039284	A1	2/2005	Paustell		
2008/0276398	A1	11/2008	Nanda		

**1 Claim, 7 Drawing Sheets**



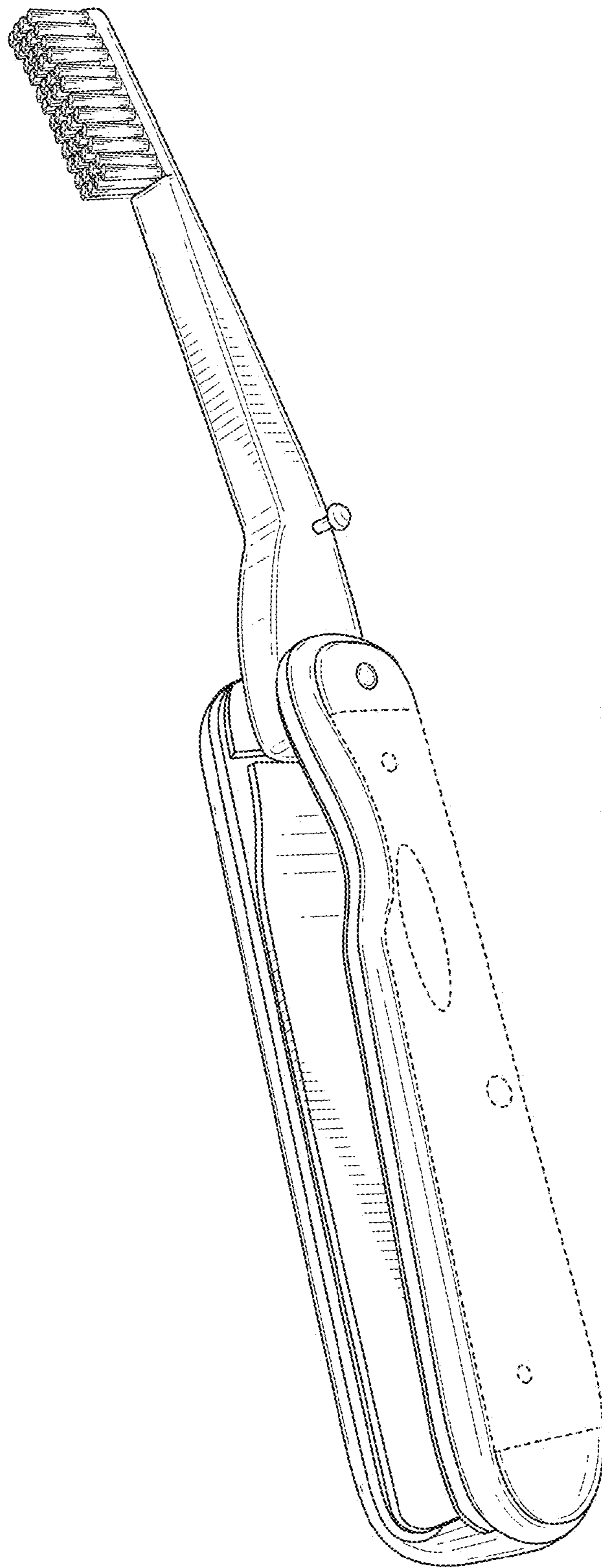


FIG. 1

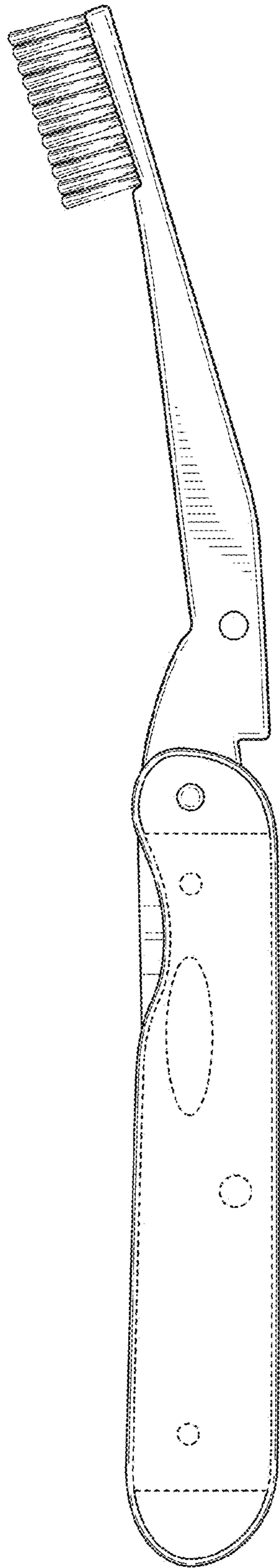


FIG. 2

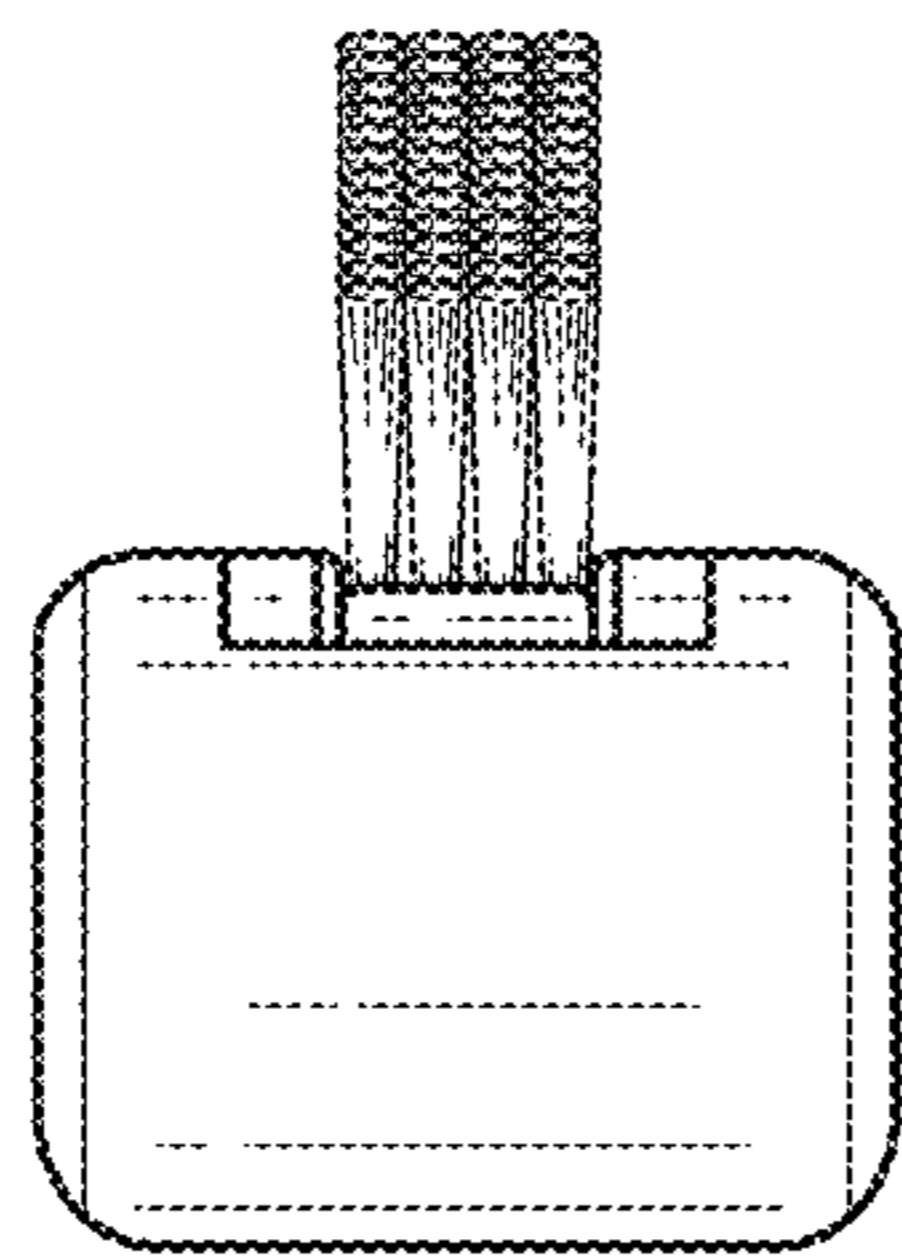


FIG. 3

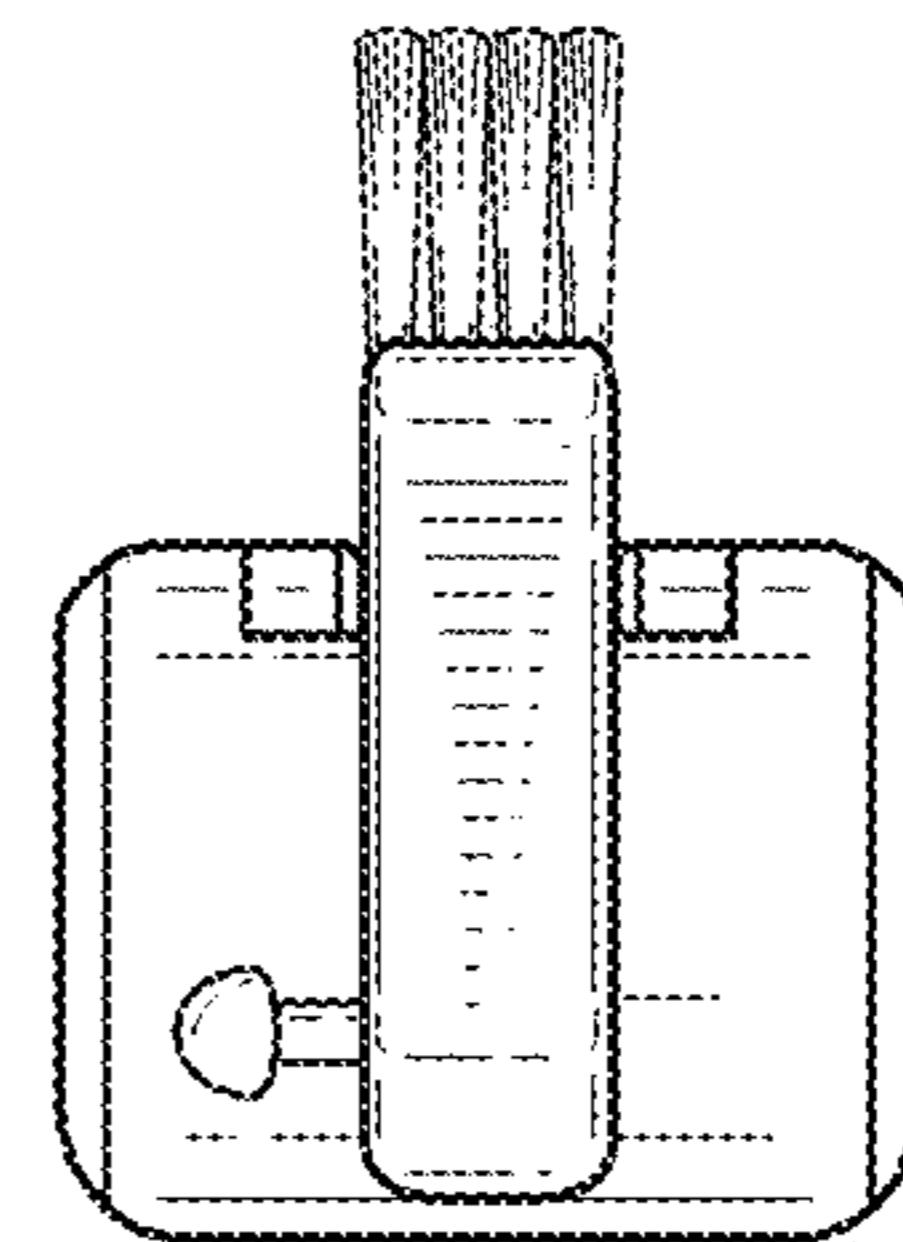


FIG. 4

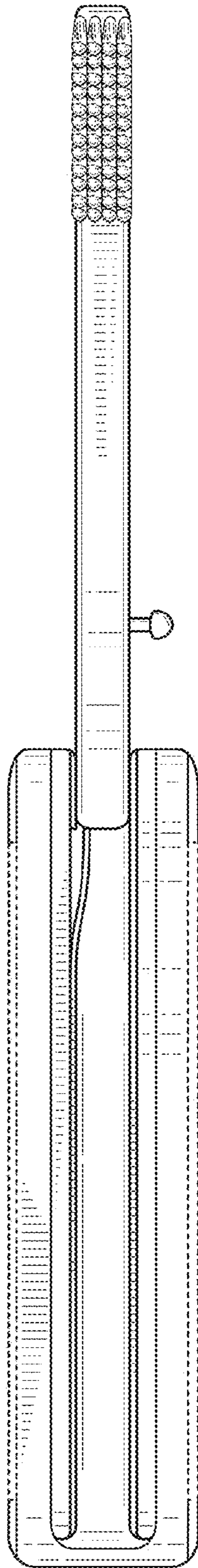


FIG. 5

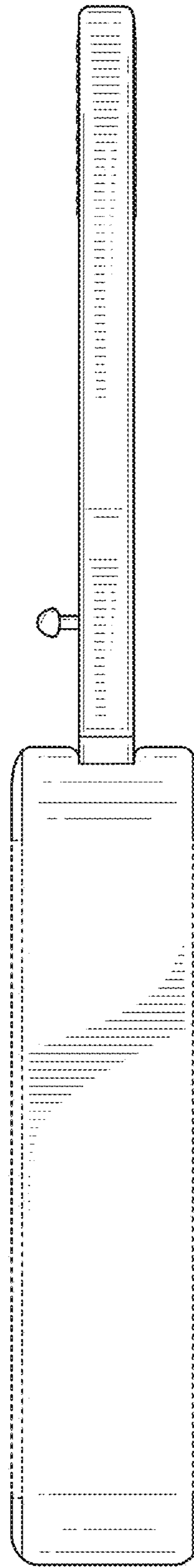


FIG. 6

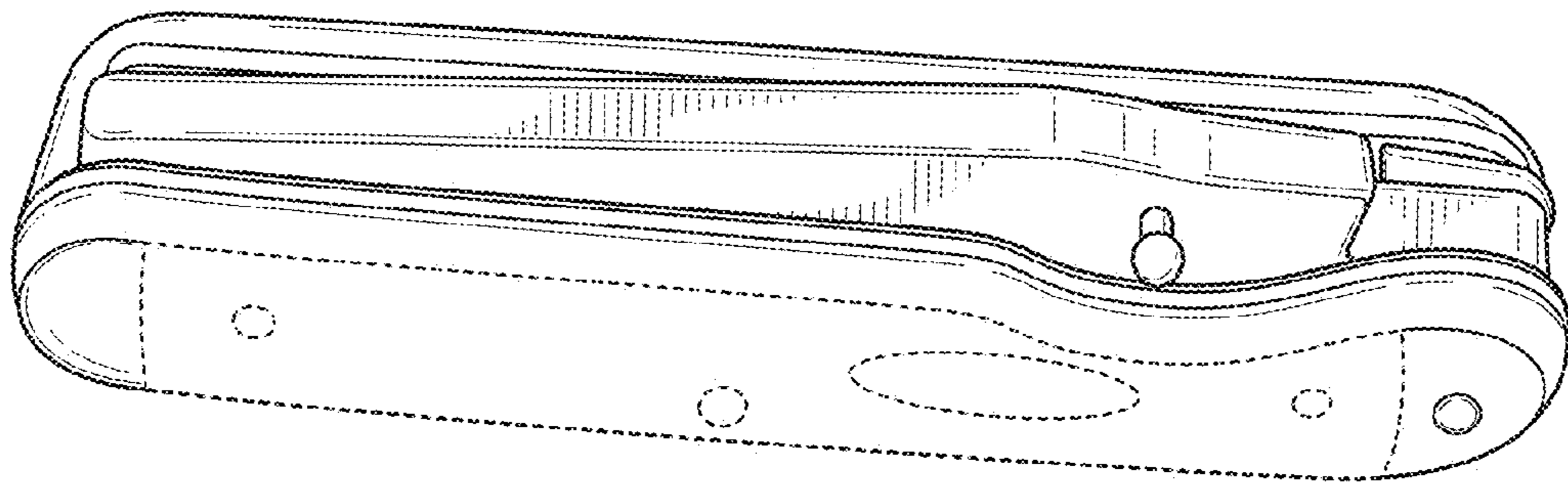
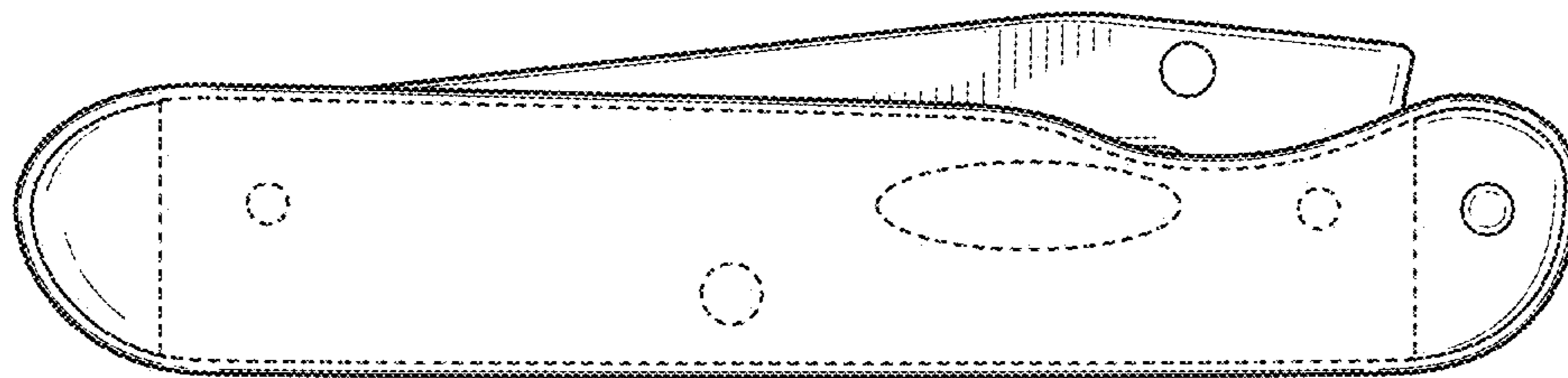


FIG. 7



**FIG. 8**

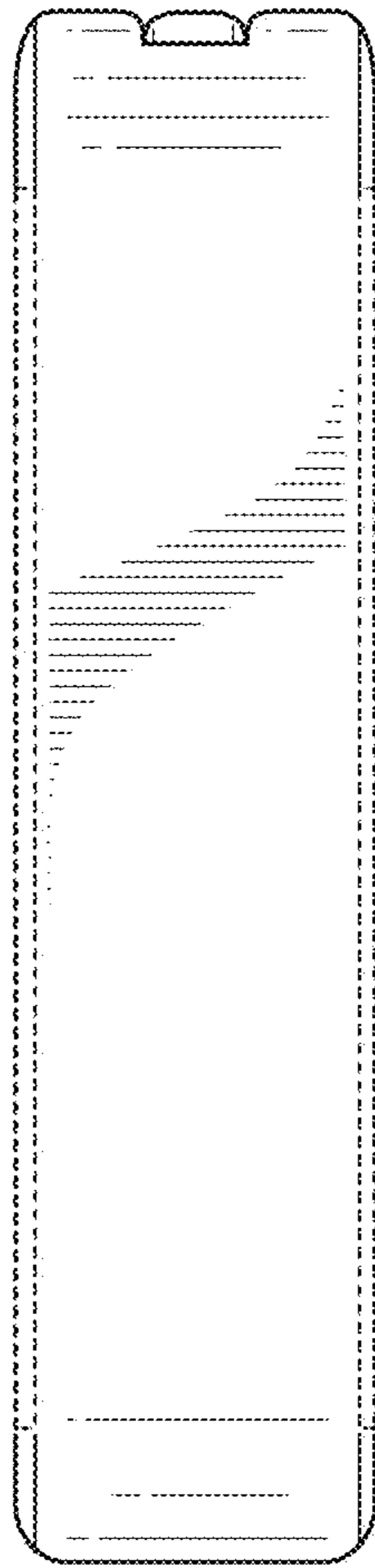


FIG. 9

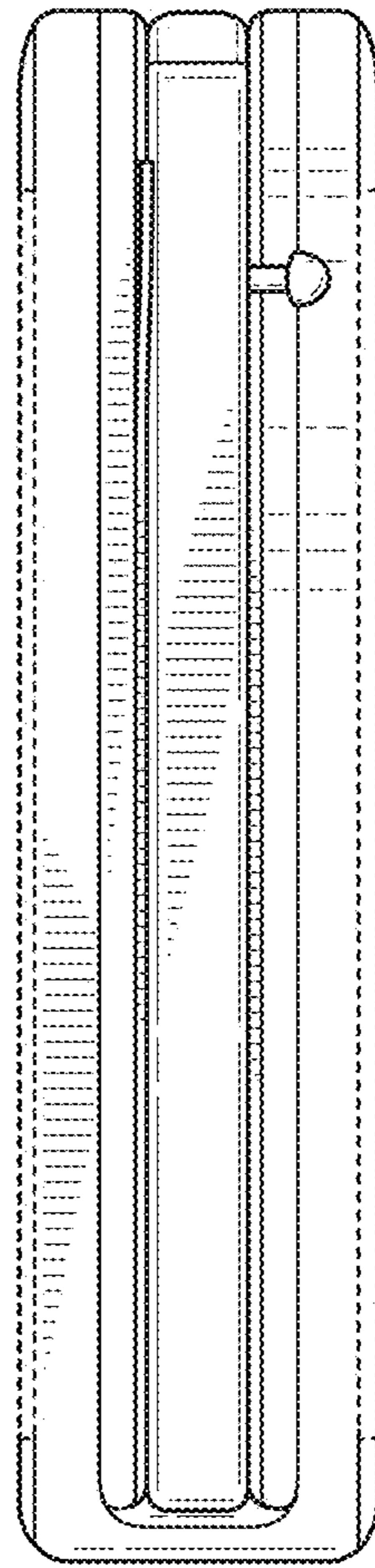


FIG. 10