



US00D742118S

(12) **United States Design Patent**  
**Morin**

(10) **Patent No.:** **US D742,118 S**

(45) **Date of Patent:** **\*\* Nov. 3, 2015**

- (54) **BAG**
- (71) Applicant: **Hunter Boot Limited**, Edinburgh (GB)
- (72) Inventor: **Manuela Morin**, London (GB)
- (73) Assignee: **Hunter Boot Limited**, Edinburgh (GB)
- (\*\*) Term: **14 Years**

D184,689 S *	3/1959	Schoenfeld .....	D3/232
D460,622 S *	7/2002	Wong .....	D3/318
D472,709 S *	4/2003	Vazquez .....	D3/303
D489,178 S *	5/2004	McMahan et al. ....	D3/303
D493,959 S *	8/2004	Kirkwood .....	D3/303
D508,320 S *	8/2005	Holland et al. ....	D3/303
D537,632 S *	3/2007	Quansah .....	D3/303
D562,555 S *	2/2008	Shapiro et al. ....	D3/303
D672,962 S *	12/2012	Wang et al. ....	D3/318

\* cited by examiner

- (21) Appl. No.: **29/492,998**
- (22) Filed: **Jun. 4, 2014**
- (51) **LOC (10) Cl.** ..... **03-01**
- (52) **U.S. Cl.**  
USPC ..... **D3/318**
- (58) **Field of Classification Search**  
USPC ..... D3/218, 227, 232–233, 239, 240–243,  
D3/249, 303, 318, 323, 327, 328, 900  
CPC ..... A45C 3/06; A45C 15/00; A45C 3/08;  
A45C 3/00; A45C 9/00; A45C 13/08; A45C  
13/24; A45C 13/30; A45C 1/02; A45C 11/00;  
A45C 11/24; A45C 13/02; A45C 13/06;  
A45C 13/103; A45C 13/26; A45C 1/00;  
A45C 2003/007; A45C 3/001  
See application file for complete search history.

*Primary Examiner* — Robert M Spear  
*Assistant Examiner* — Eliza Bennett-Hattan  
 (74) *Attorney, Agent, or Firm* — Venable LLP; Robert Kinberg

(57) **CLAIM**  
 The ornamental design for a bag, as shown and described.

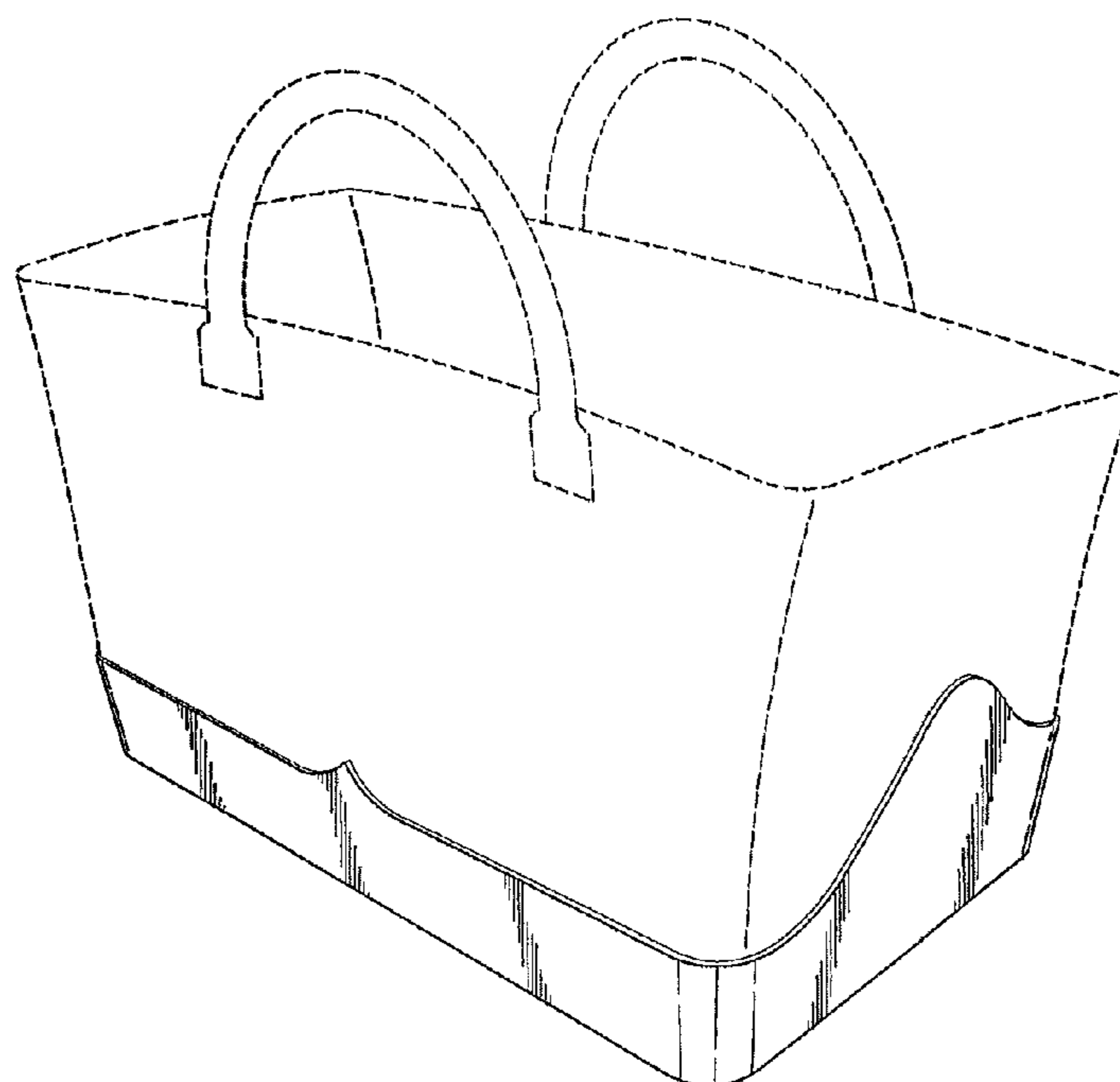
**DESCRIPTION**

FIG. 1 is a front view of a bag, containing the design according to an embodiment of the invention;  
 FIG. 2 is a rear view of the bag, according to FIG. 1;  
 FIG. 3 is a bottom view of the bag, according to FIG. 1;  
 FIG. 4 is a top view of the bag, according to FIG. 1;  
 FIG. 5 is a right side view of the bag, according to FIG. 1;  
 FIG. 6 is a left side view of the bag, according to FIG. 1; and,  
 FIG. 7 is a front-right-top view of the bag, according to FIG. 1.

The broken lines in the figures show the remainder of the bag in which the claimed design is embodied and forms no part of the claimed design.

- (56) **References Cited**  
 U.S. PATENT DOCUMENTS  
 D24,543 S \* 8/1895 Bruning ..... D3/241  
 D123,215 S \* 10/1940 Pichel ..... D3/240  
 D180,516 S \* 6/1957 Hoffmann et al. .... D3/242

**1 Claim, 4 Drawing Sheets**



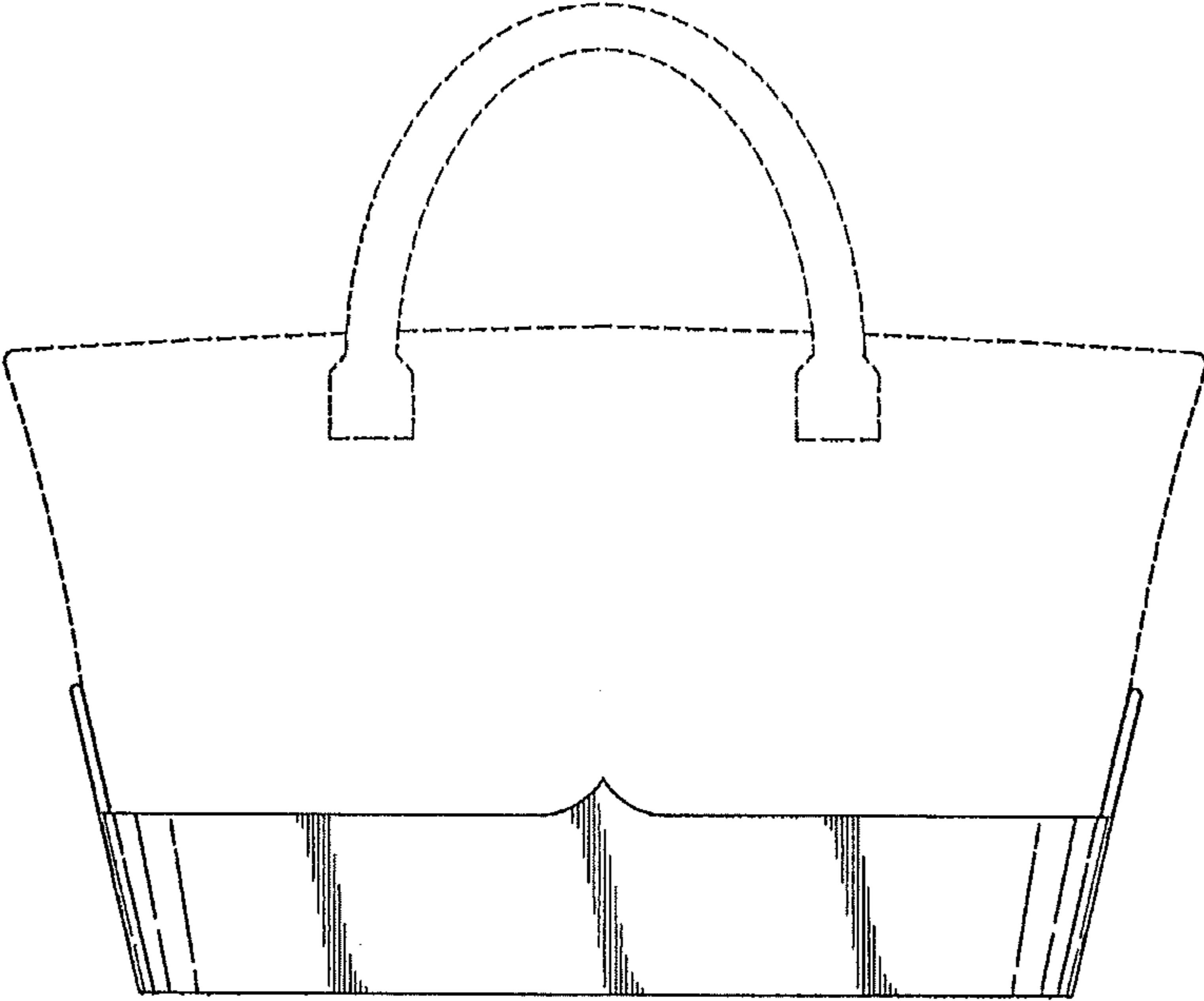


Fig.1

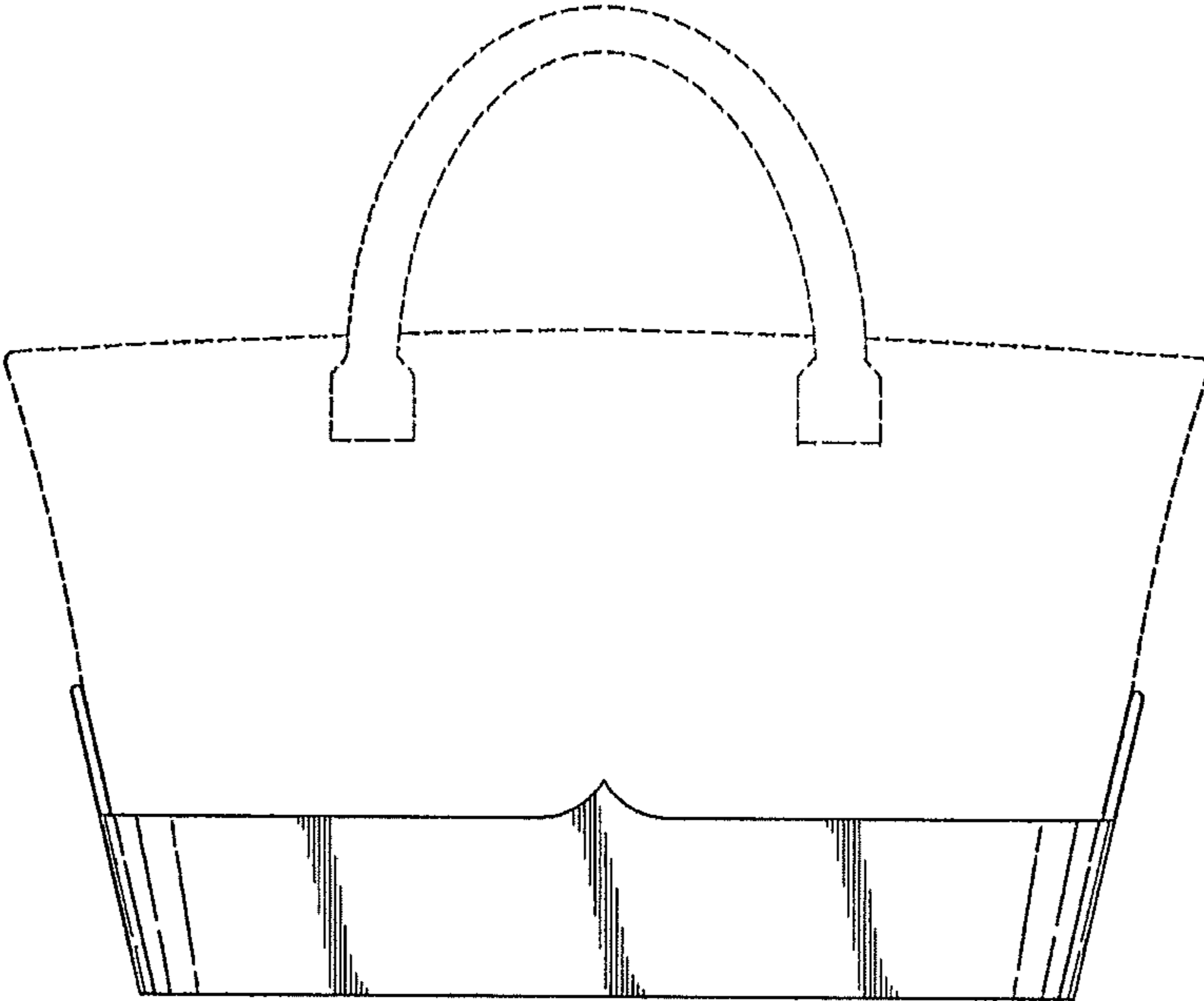


Fig.2

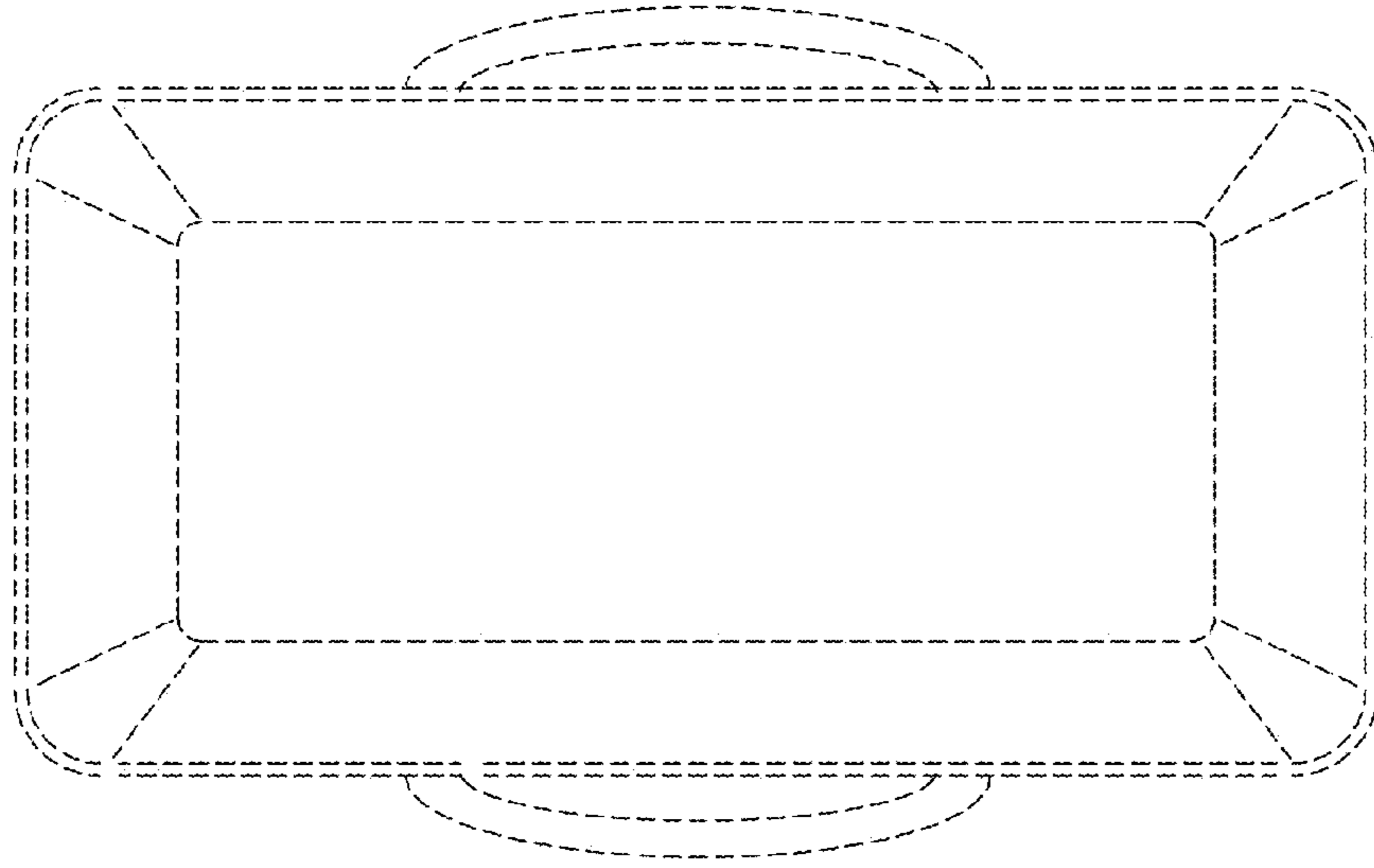


Fig.3

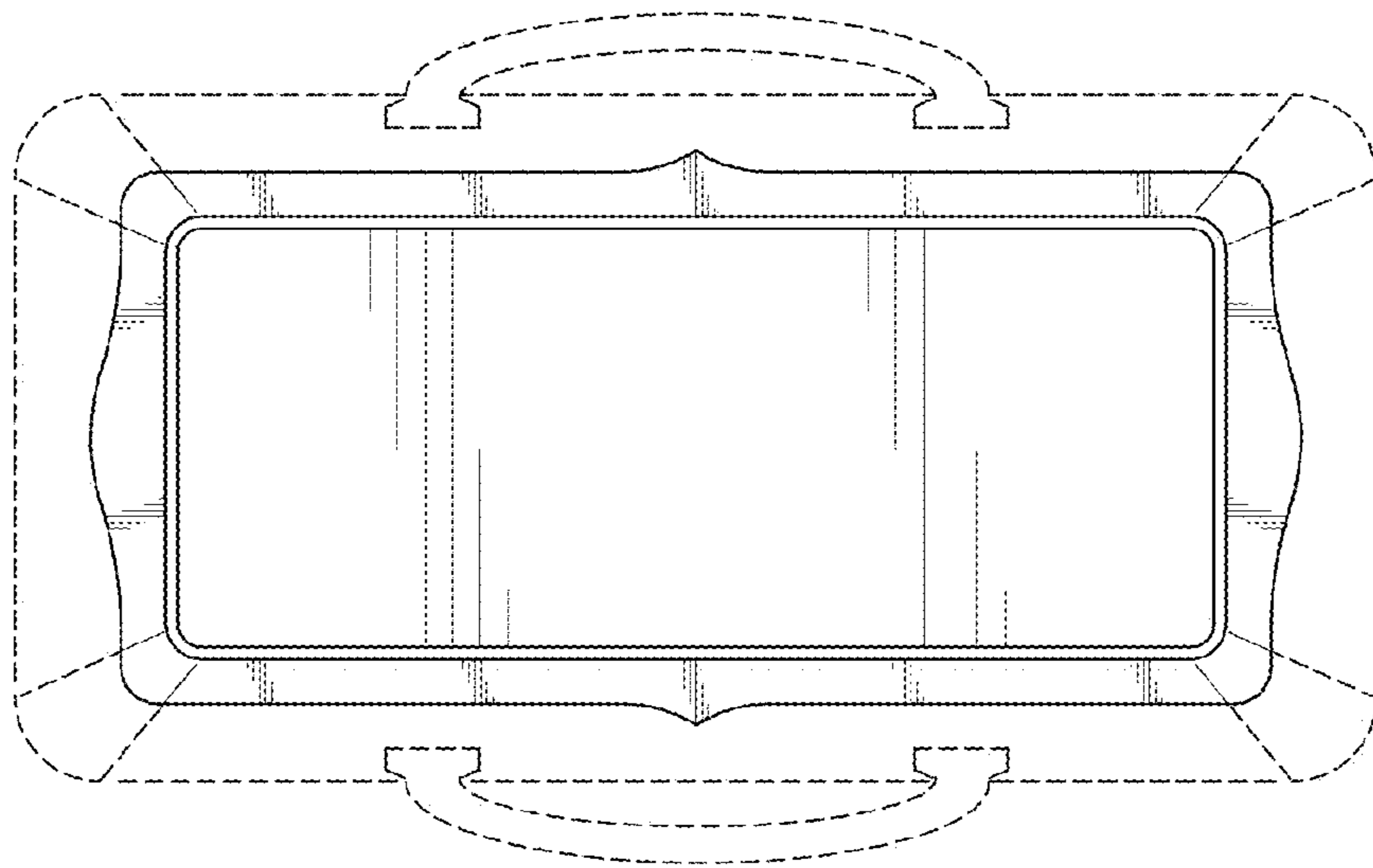


Fig.4

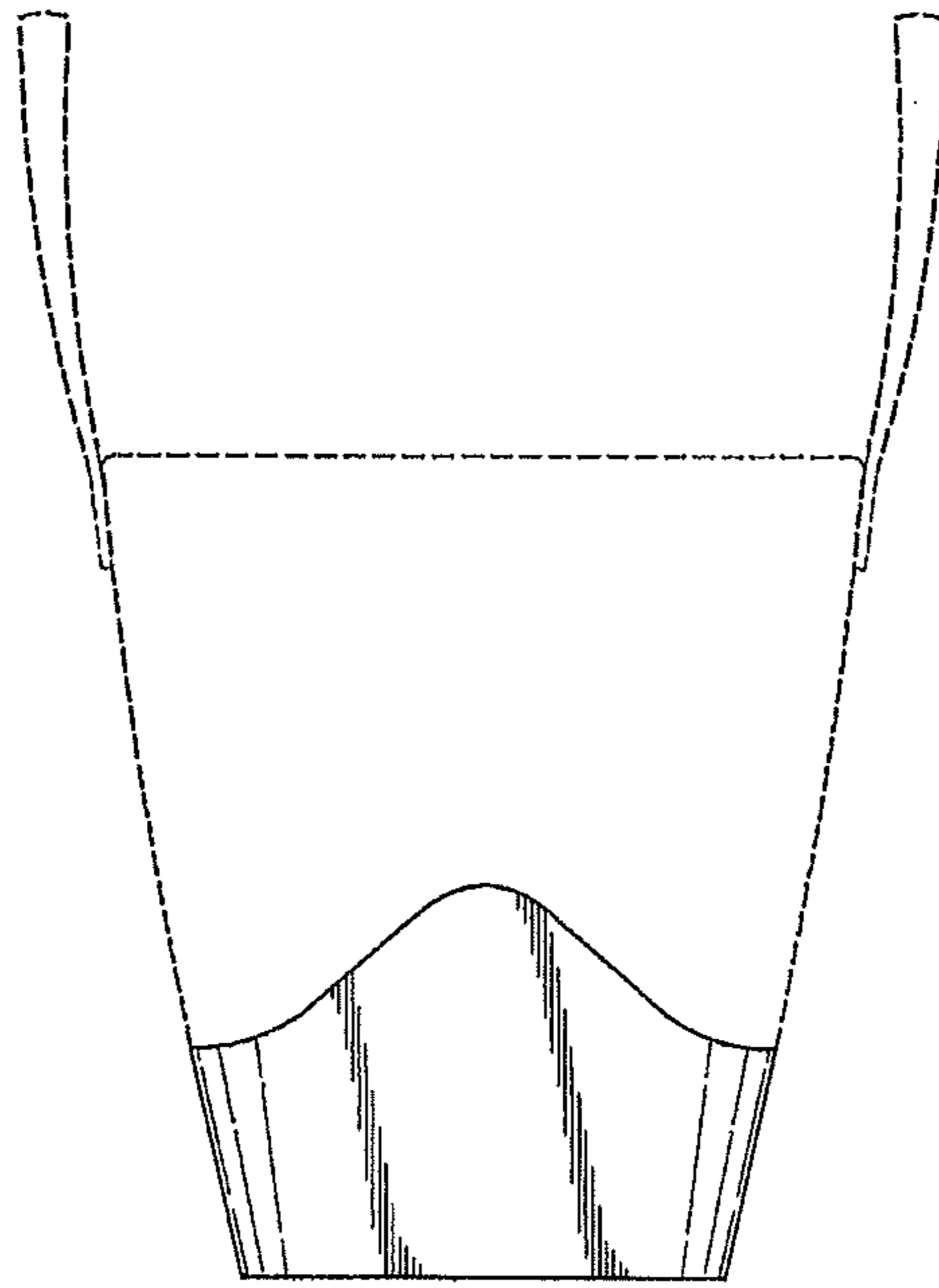


Fig.5

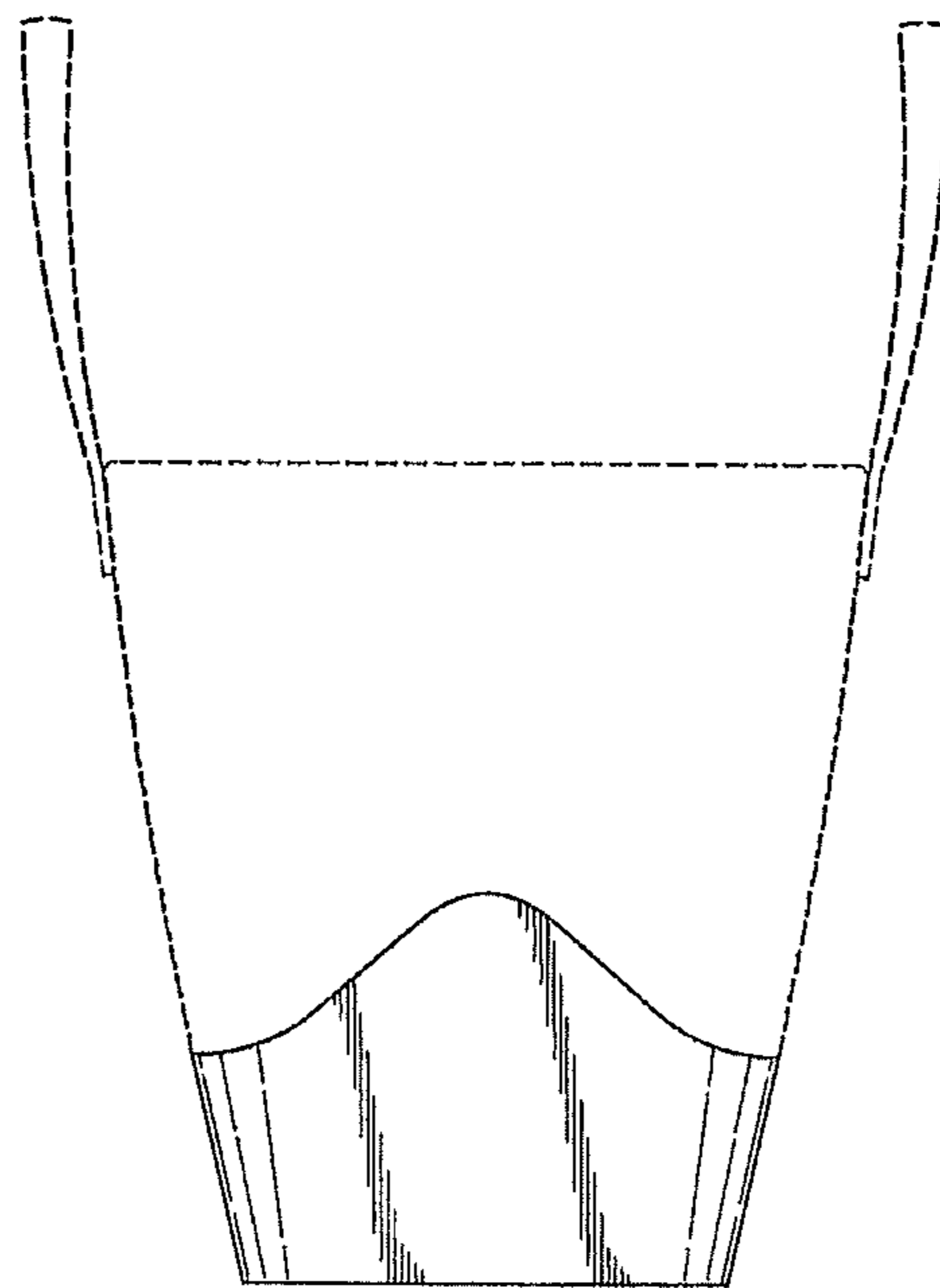


Fig.6

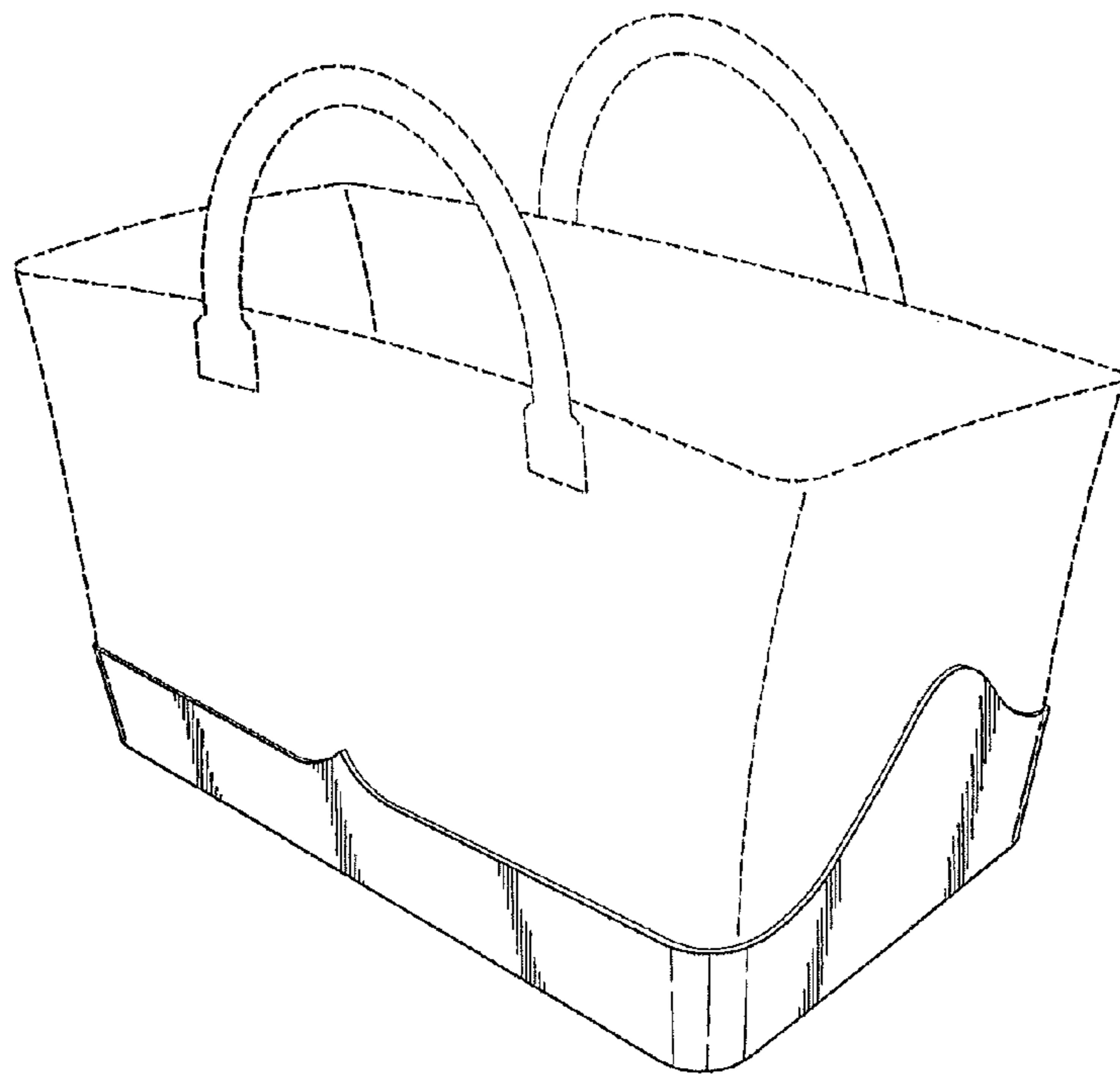


Fig.7