



US00D742116S

(12) **United States Design Patent**
Serell

(10) **Patent No.:** **US D742,116 S**
(45) **Date of Patent:** **** Nov. 3, 2015**

(54) **RECTANGULAR LOCKING CONTAINER**

(56) **References Cited**

(71) Applicant: **Sean Serell**, Fort Collins, CO (US)

U.S. PATENT DOCUMENTS

(72) Inventor: **Sean Serell**, Fort Collins, CO (US)

3,421,347	A	1/1969	Sotory	
3,684,117	A	8/1972	Leopoldi et al.	
3,782,577	A	1/1974	Levey	
3,828,519	A	8/1974	Levey	
3,837,692	A *	9/1974	Ayers et al.	292/152
3,843,007	A	10/1974	Meyer	
4,354,365	A	10/1982	Mayer et al.	
4,445,348	A	5/1984	Saitoh	
4,615,191	A	10/1986	Grandy	
5,213,223	A	5/1993	Minnette	
5,277,325	A *	1/1994	Yan	215/206
5,284,262	A	2/1994	O'Nan	
D376,691	S *	12/1996	Naas et al.	D3/294
D412,786	S *	8/1999	Killinger	D3/273
6,059,132	A	5/2000	Benjamin	
D516,309	S *	3/2006	Richardson et al.	D3/273
D527,182	S *	8/2006	Ham	D3/294
7,252,204	B1 *	8/2007	Small	215/206
7,891,220	B2 *	2/2011	Yen et al.	70/63
7,931,143	B1 *	4/2011	Lin	206/373
8,020,415	B2 *	9/2011	Corbin et al.	70/63
8,113,366	B2 *	2/2012	House et al.	215/208

(73) Assignee: **Secure Medication Systems, LLC**, Fort Collins, CO (US)

(**) Term: **14 Years**

(21) Appl. No.: **29/512,699**

(22) Filed: **Dec. 22, 2014**

Related U.S. Application Data

(63) Continuation of application No. 29/497,883, filed on Jul. 29, 2014.

(51) **LOC (10) Cl.** **03-01**

(52) **U.S. Cl.**

USPC **D3/274**; D3/294

(58) **Field of Classification Search**

USPC D3/273, 276, 280, 282, 283, 284, 286,
D3/288, 292, 294, 295, 901, 903, 905, 302,
D3/306, 304, 272, 232, 247, 425,
D3/203.1-203.4; 206/503, 207, 419, 505,
206/507, 511, 518, 559, 509, 506, 373, 501,
206/823, 515, 520, 528, 540, 536;
220/23.86, 373, 553, 759, 506, 802,
220/822, 4.25, 23.6, 354, 355, 306, 307;
D9/423, 424, 425, 715, 719; 70/267,
70/63, 312, 323, 319, 168, 318, 329, 317,
70/163, 165, 158; 215/206, 208; 292/152,
292/148

CPC A61J 1/1437; B65D 55/145; E05B 37/02

See application file for complete search history.

(Continued)

Primary Examiner — Jennifer Rivard

Assistant Examiner — April Rivas

(74) *Attorney, Agent, or Firm* — William W. Cochran;
Cochran Freund & Young LLC

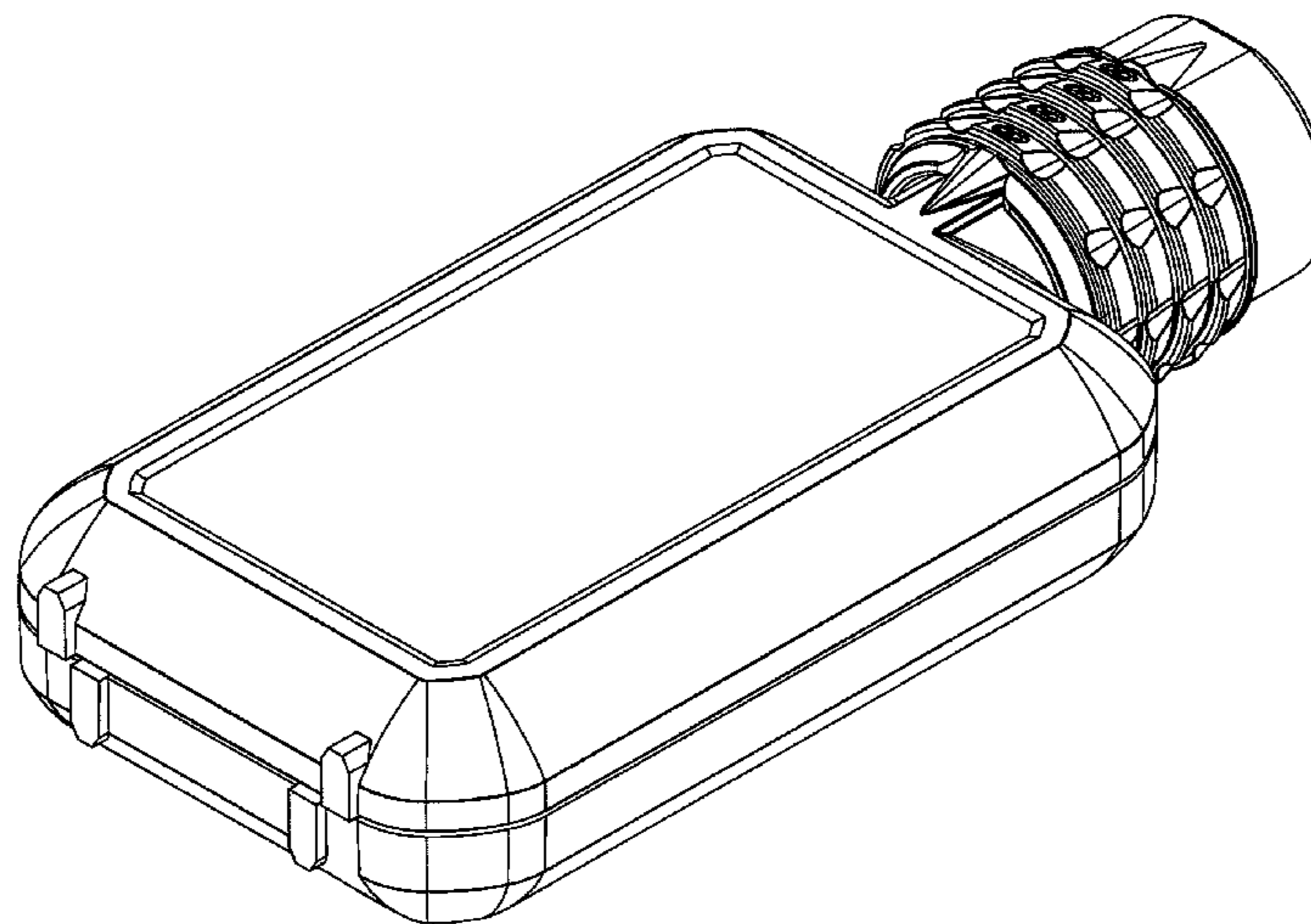
(57) **CLAIM**

The ornamental design for a rectangular locking container, as shown and described.

DESCRIPTION

FIG. 1 is a top isometric view of a rectangular locking container showing my new design.
FIG. 2 is a front view thereof.
FIG. 3 is a back view thereof.
FIG. 4 is a top view thereof.
FIG. 5 is a bottom view thereof.
FIG. 6 is a left side view thereof; and,
FIG. 7 is a right side view thereof.

1 Claim, 5 Drawing Sheets



(56)

References Cited

U.S. PATENT DOCUMENTS

8,292,101	B1 *	10/2012	Bragg et al.	215/237	8,939,301	B1 *	1/2015	Small	215/206
8,678,230	B2 *	3/2014	Smyers	220/784	2008/0302794	A1 *	12/2008	Wagner et al.	220/210
8,875,915	B2 *	11/2014	Serell	215/206	2009/0084801	A1 *	4/2009	Coe	220/740
8,938,999	B2 *	1/2015	Dahl	70/165	2010/0281930	A1 *	11/2010	Hacker	70/14
						2011/0079058	A1 *	4/2011	Nielsen et al.	70/158

* cited by examiner

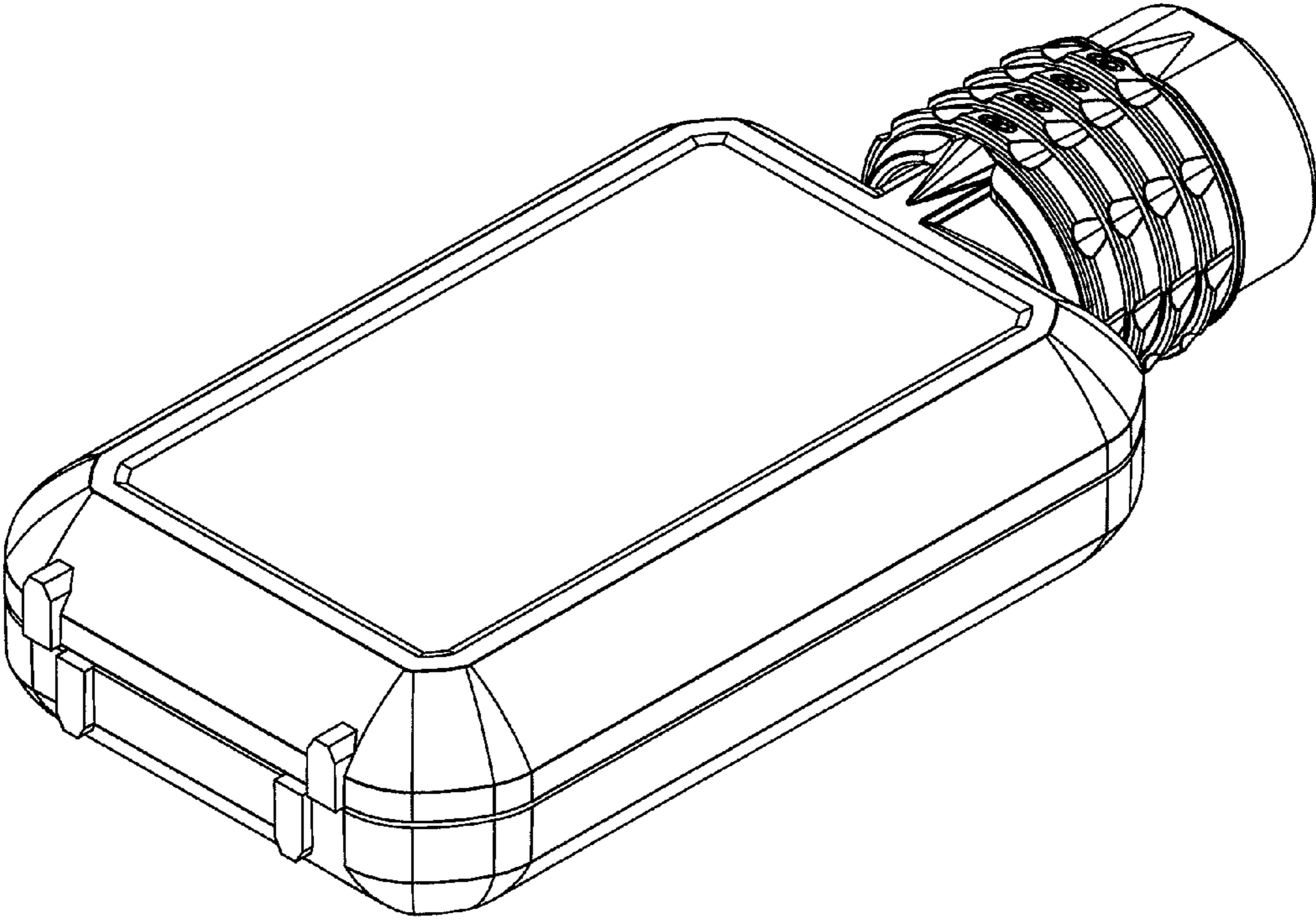


Fig. 1

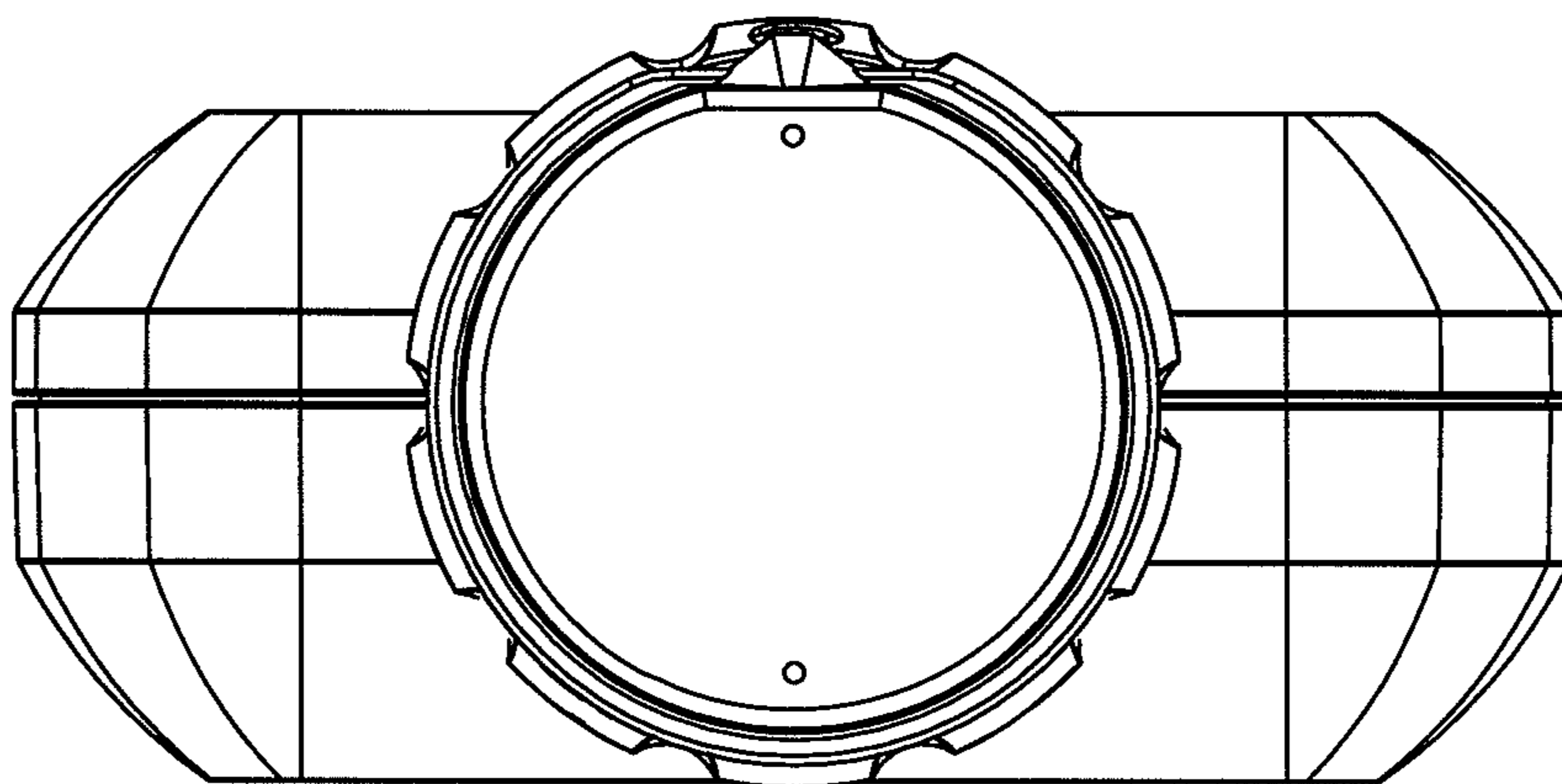


Fig. 2

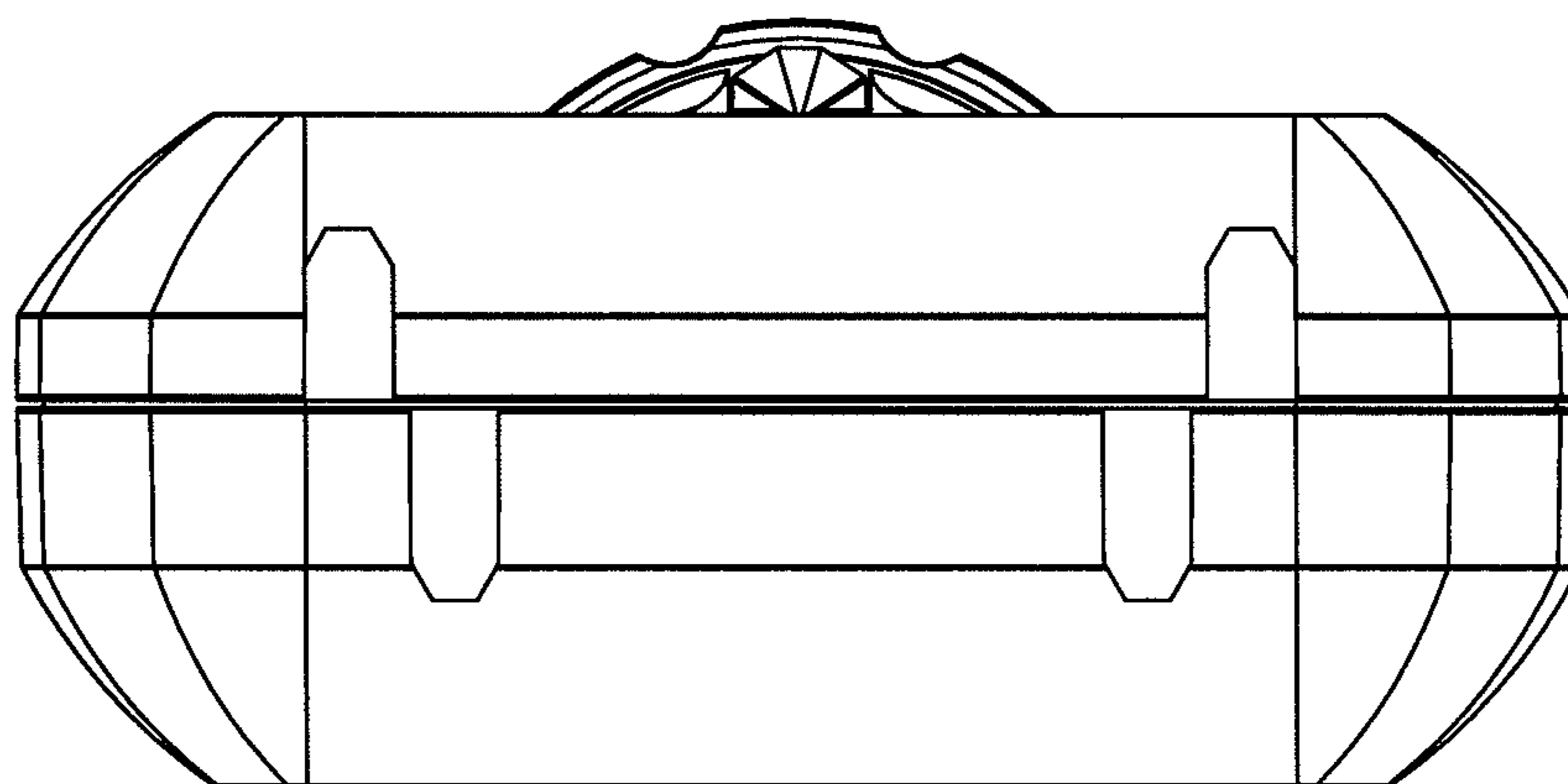


Fig. 3

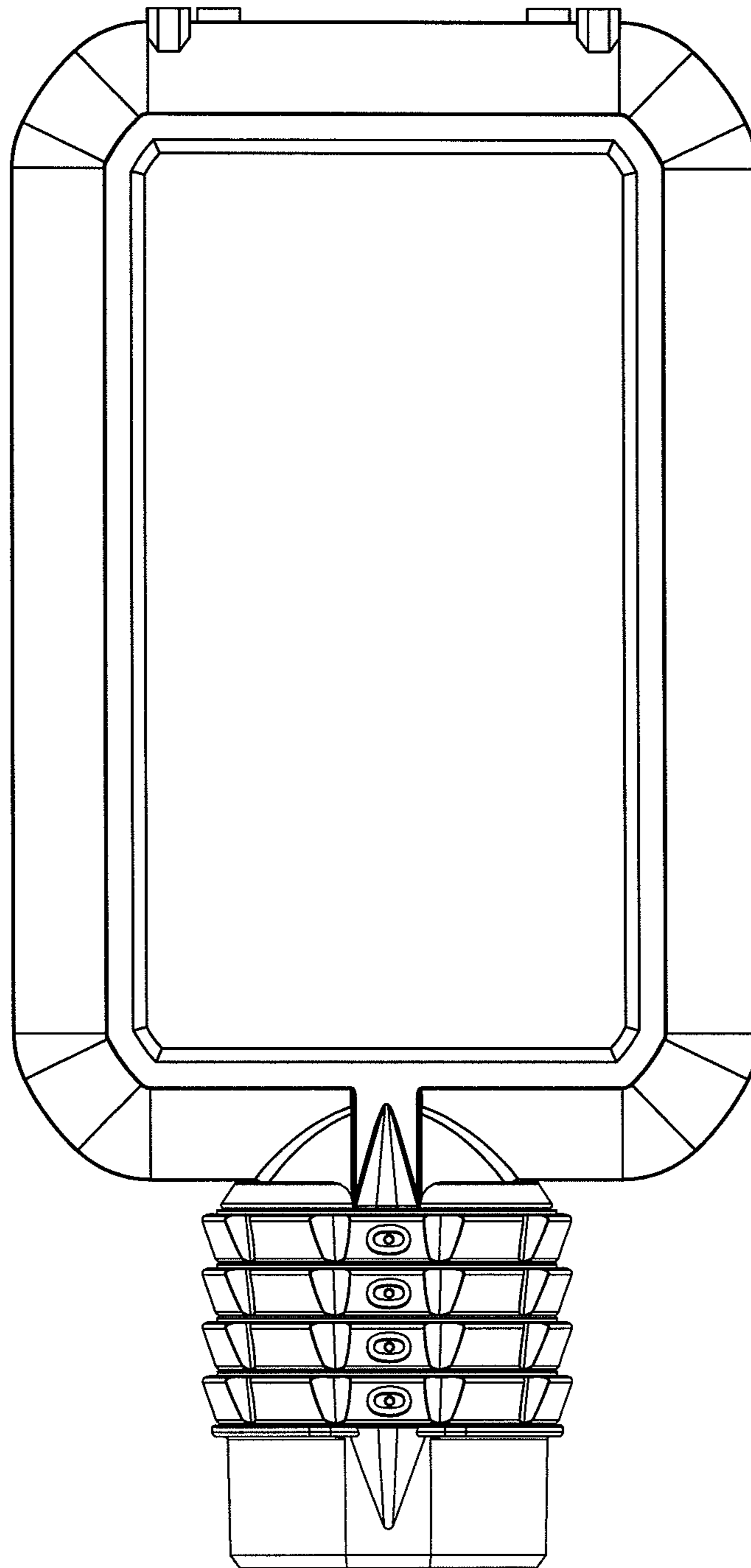


Fig. 4

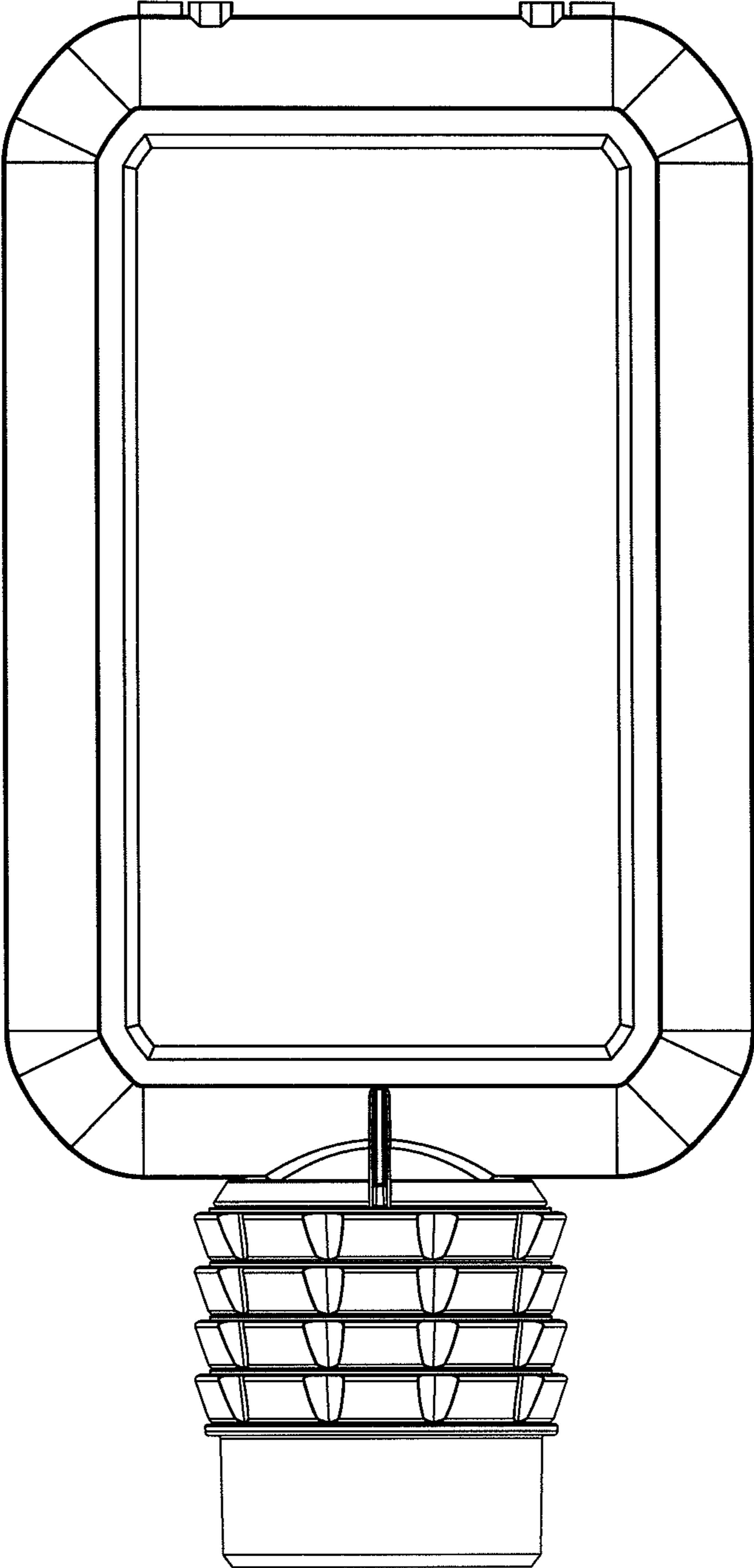


Fig. 5

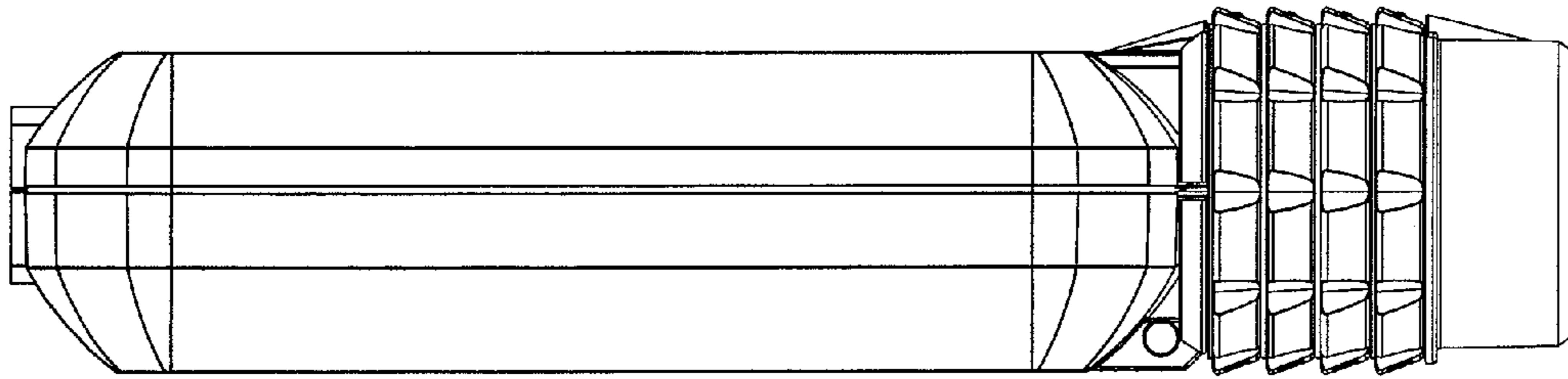


Fig. 6

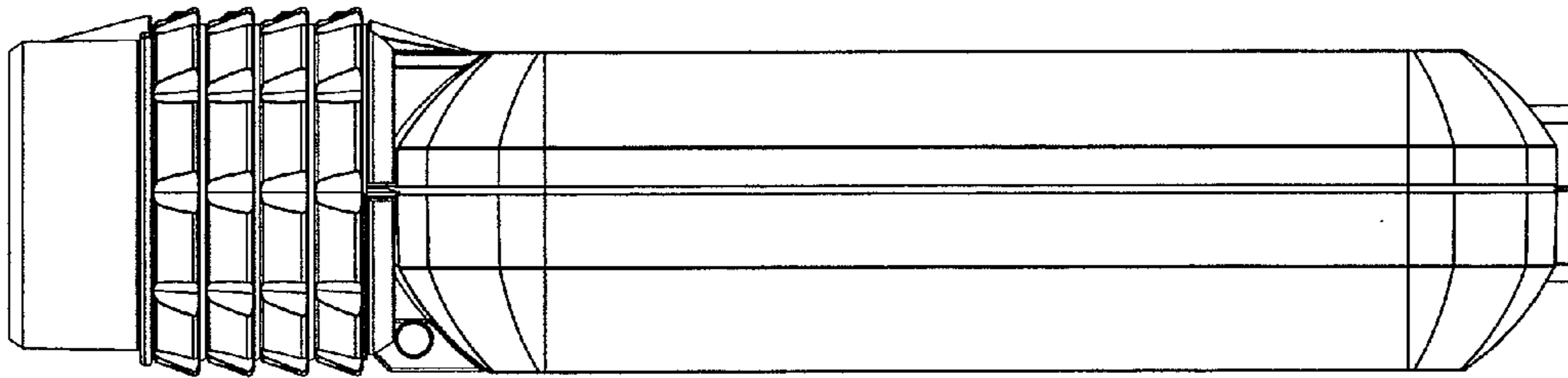


Fig. 7