



US00D742115S

(12) **United States Design Patent**
Besner

(10) **Patent No.:** **US D742,115 S**

(45) **Date of Patent:** **** Nov. 3, 2015**

(54) **HANDBAG**

(71) Applicant: **Leslie H. Besner**, Short Hills, NJ (US)

(72) Inventor: **Leslie H. Besner**, Short Hills, NJ (US)

(73) Assignee: **Leslie H. Besner**, Short Hills, NJ (US)

(**) Term: **14 Years**

(21) Appl. No.: **29/483,105**

(22) Filed: **Feb. 25, 2014**

(51) **LOC (10) Cl.** **03-01**

(52) **U.S. Cl.**

USPC **D3/249**

(58) **Field of Classification Search**

USPC D3/247, 249–253

CPC A45C 1/06; A45C 3/08

See application file for complete search history.

(56) **References Cited**

U.S. PATENT DOCUMENTS

D446,930 S *	8/2001	Bodony et al.	D3/233
D467,071 S *	12/2002	Bodony et al.	D3/233
D471,009 S *	3/2003	Wilburn	D3/247

D497,051 S *	10/2004	Nieves	D3/301
D556,452 S *	12/2007	Hydon	D3/301
D603,167 S *	11/2009	Becker	D3/301
D639,064 S *	6/2011	Raible	D3/301

* cited by examiner

Primary Examiner — Holly Baynham

(74) *Attorney, Agent, or Firm* — Barnes & Thornburg LLP

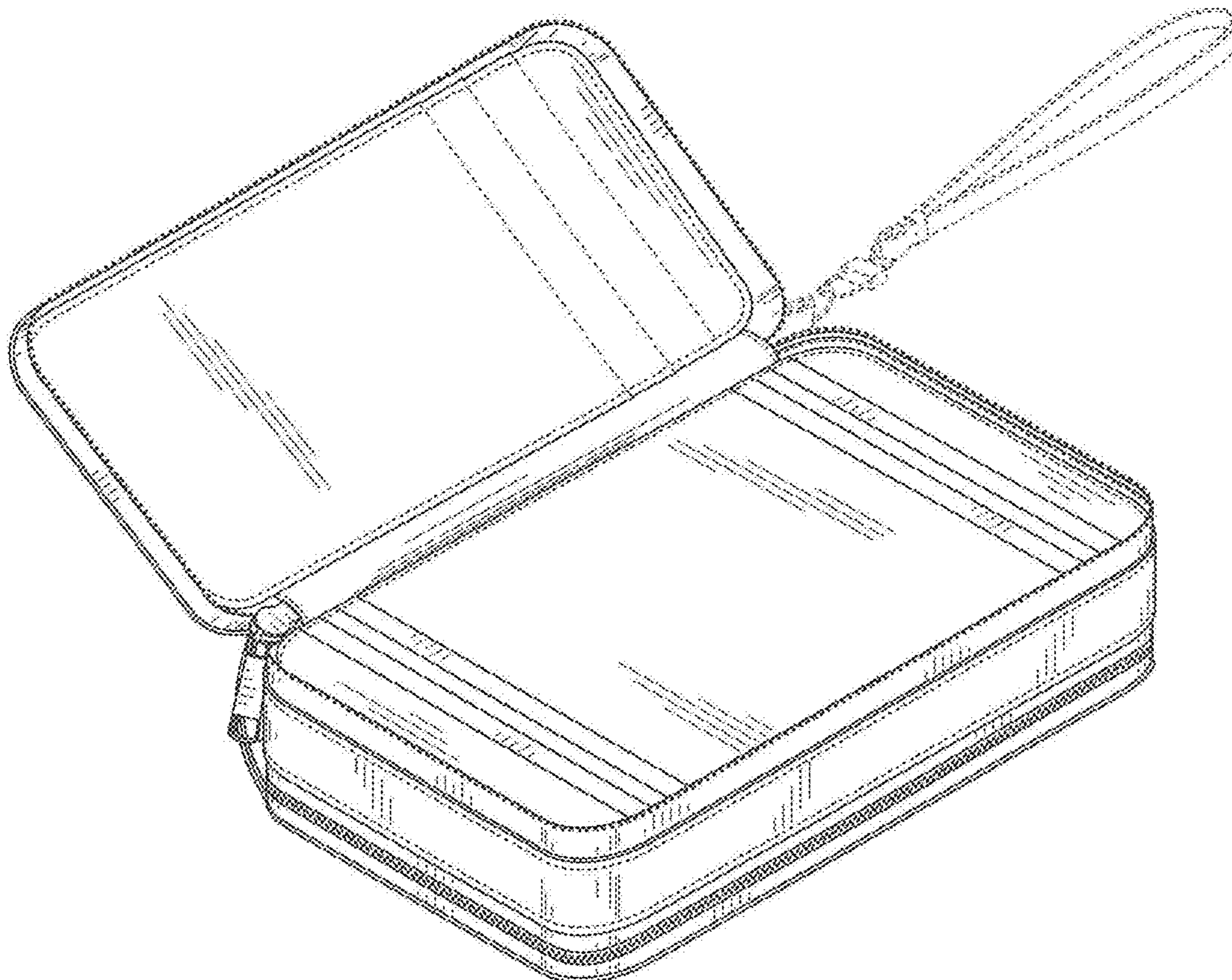
(57) **CLAIM**

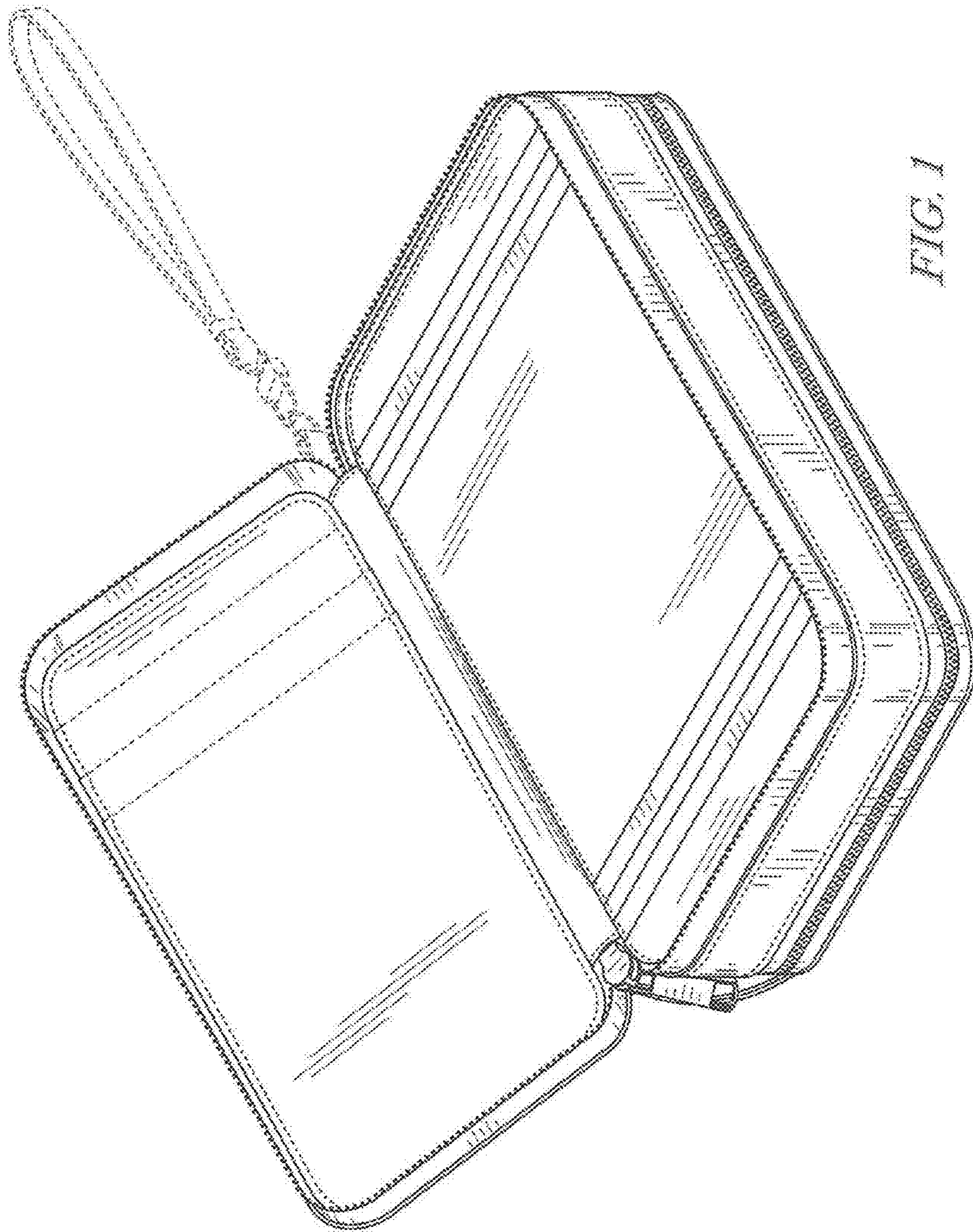
The ornamental design for a handbag, as shown and described.

DESCRIPTION

FIG. 1 is a front perspective view of a design of a handbag; FIG. 2 is a front elevation view of the handbag of FIG. 1; FIG. 3 is a rear elevation view of the handbag of FIG. 1; FIG. 4 is a first side elevation view of the handbag of FIG. 1; FIG. 5 is a second side elevation view of the handbag of FIG. 1; FIG. 6 is a top plan view of the handbag of FIG. 1; and, FIG. 7 is a bottom view of the handbag of FIG. 1. The broken lines shown in the figures depict environmental subject matter and form no part at the claimed design.

1 Claim, 6 Drawing Sheets





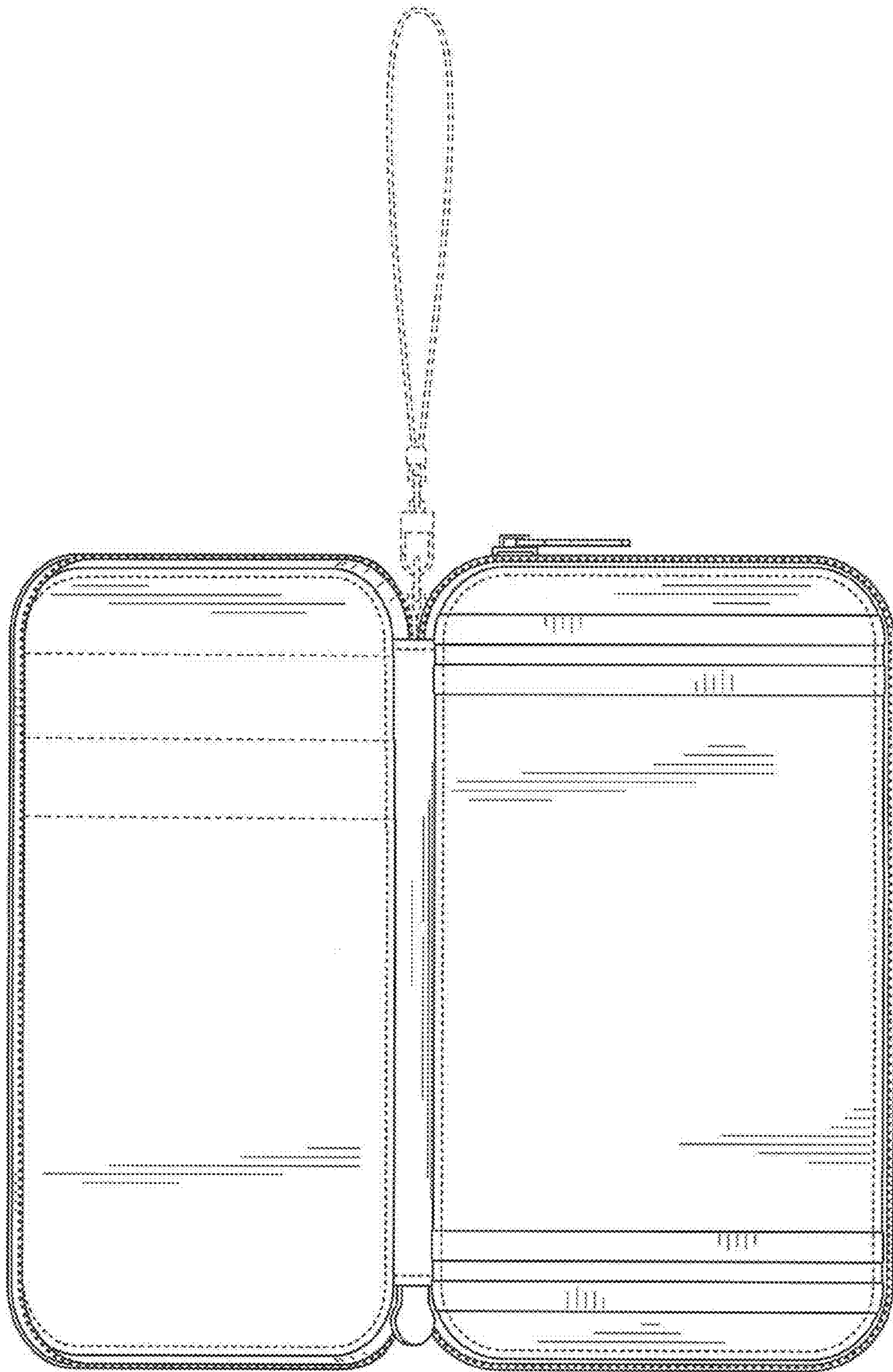


FIG. 2

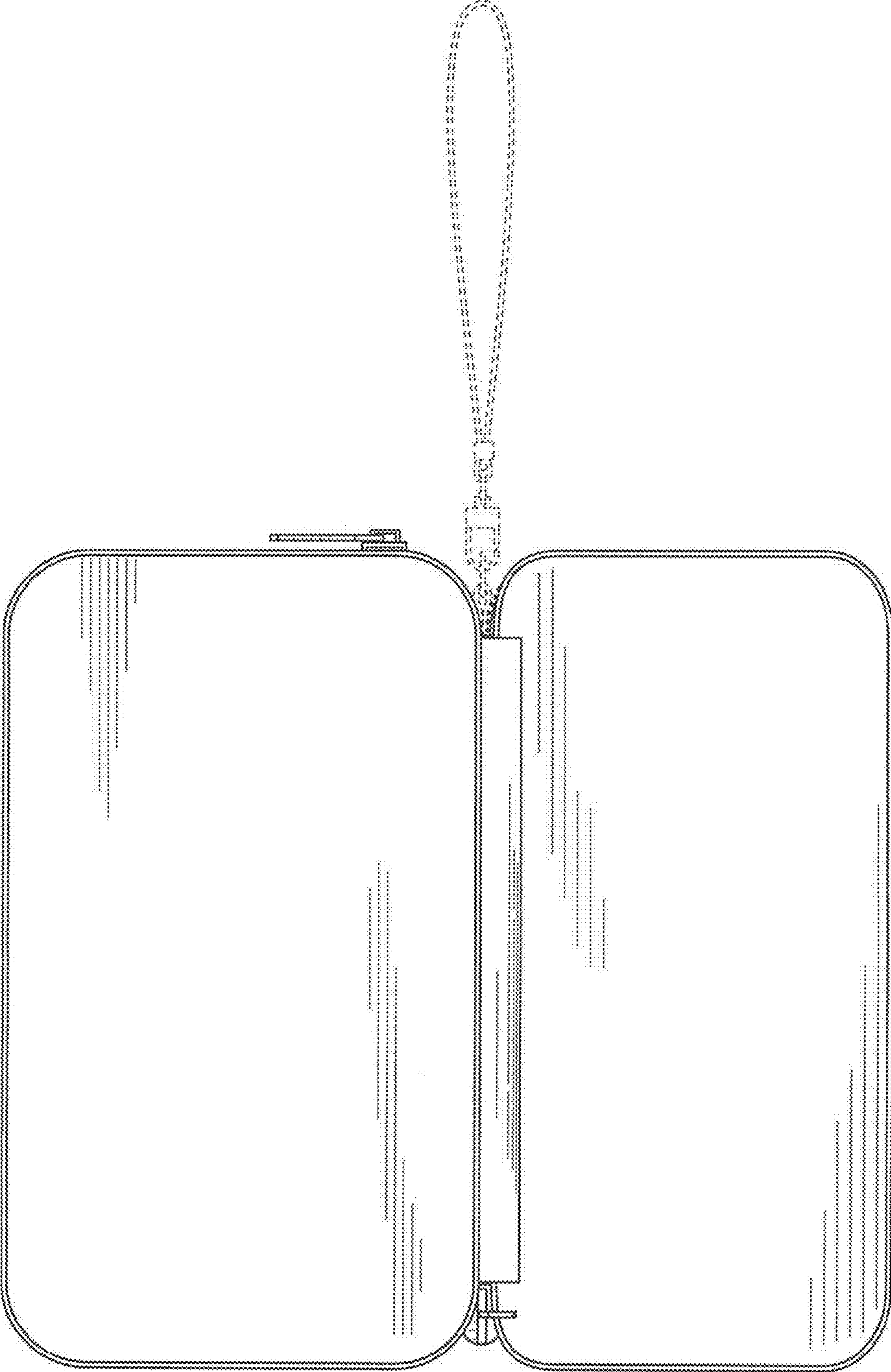


FIG. 3

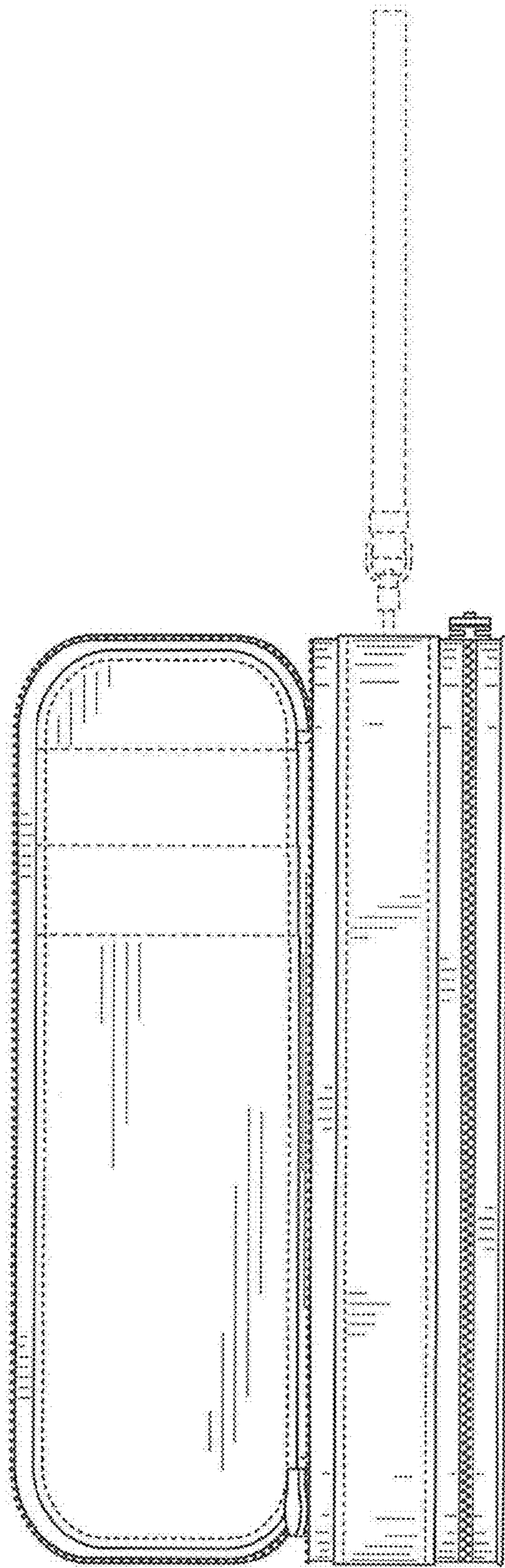


FIG. 4

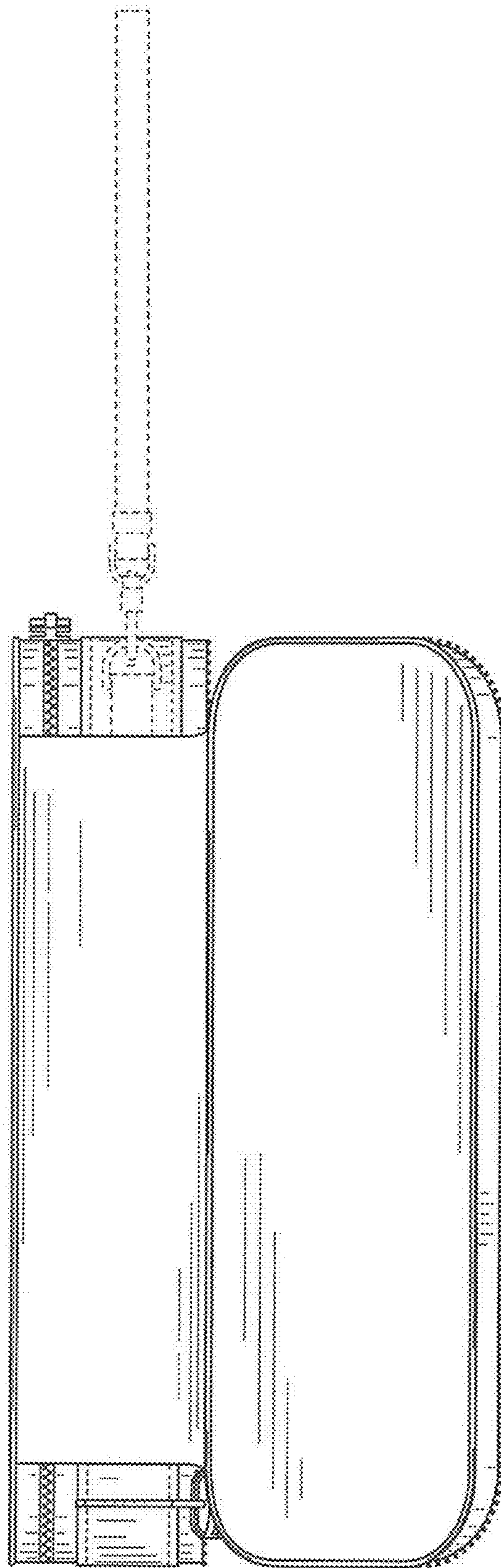


FIG. 5

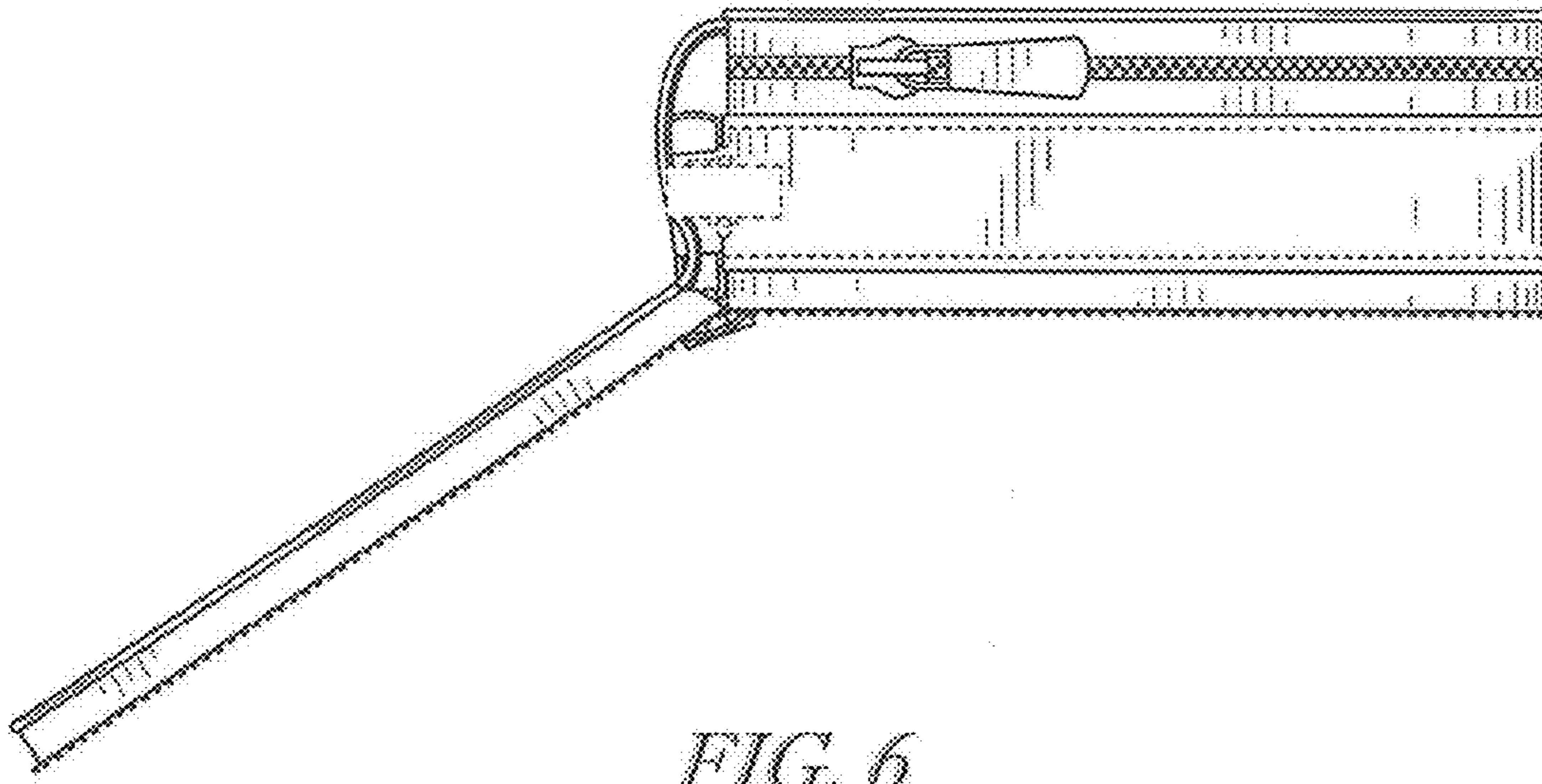


FIG. 6

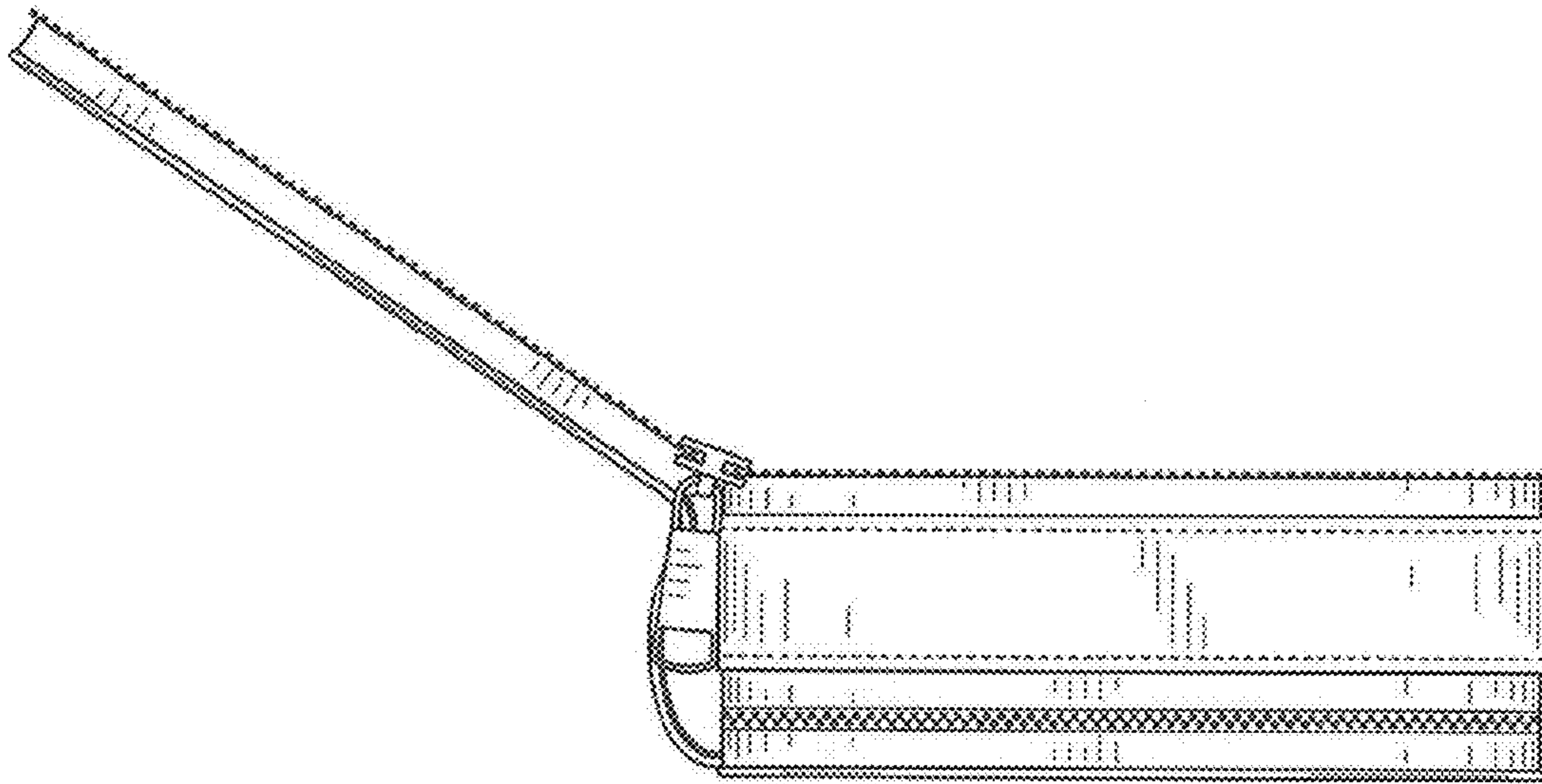


FIG. 7