

US00D742114S

(12) **United States Design Patent**
Pearce

(10) **Patent No.:** **US D742,114 S**
(45) **Date of Patent:** **** Nov. 3, 2015**

(54) **RADIO-HOLDER MEMBER FOR USE WITH
A BELT-MOUNTED, TWO-WAY RADIO
HOLDER UNIT ASSEMBLY**

8,141,210 B2 3/2012 Colorado
8,177,107 B2 5/2012 Kecskes
D675,014 S 1/2013 Adelman et al.
D685,991 S 7/2013 Pearce
D686,409 S 7/2013 Pearce

(71) Applicant: **Creative Law Enforcement Resources,
Inc.**, South Pasadena, CA (US)

* cited by examiner

(72) Inventor: **Timothy A Pearce**, Torrance, CA (US)

Primary Examiner — Catheri Oliver-Garcia

(73) Assignee: **Creative Law Enforcement Resources,
Inc.**, South Pasadena, CA (US)

(74) *Attorney, Agent, or Firm* — BL Speer & Associates;
Brenda L. Speer

(**) Term: **15 Years**

(57) **CLAIM**

The ornamental design for a radio-holder member for use with a belt-mounted, two-way radio holder unit assembly, as shown and described.

(21) Appl. No.: **29/533,870**

(22) Filed: **Jul. 22, 2015**

DESCRIPTION

(51) **LOC (10) Cl.** **03-01**

(52) **U.S. Cl.**
USPC **D3/218**

(58) **Field of Classification Search**
USPC D3/218, 215; 24/573.11, 580.11, 663,
24/667, 669, 682.1, DIG. 60; 224/197,
224/272; 248/221.11; D14/240, 253
See application file for complete search history.

FIG. 1 is a left, bottom and rear perspective view of a radio-holder member for use with a belt-mounted, two-way radio holder unit assembly;

FIG. 2 is a right rear perspective view of the radio-holder member for use with a belt-mounted, two-way radio holder unit assembly.

FIG. 3 is a rear elevation view of the radio-holder member for use with a belt-mounted, two-way radio holder unit assembly.

FIG. 4 is a left side view of the radio-holder member for use with a belt-mounted, two-way radio holder unit assembly.

FIG. 5 is a right side view of the radio-holder member for use with a belt-mounted, two-way radio holder unit assembly.

FIG. 6 is a right, bottom and front perspective view of the radio-holder member for use with a belt-mounted, two-way radio holder unit assembly;

FIG. 7 is a left front perspective view of the radio-holder member for use with a belt-mounted, two-way radio holder unit assembly.

FIG. 8 is a front elevation view of the radio-holder member for use with a belt-mounted, two-way radio holder unit assembly; and,

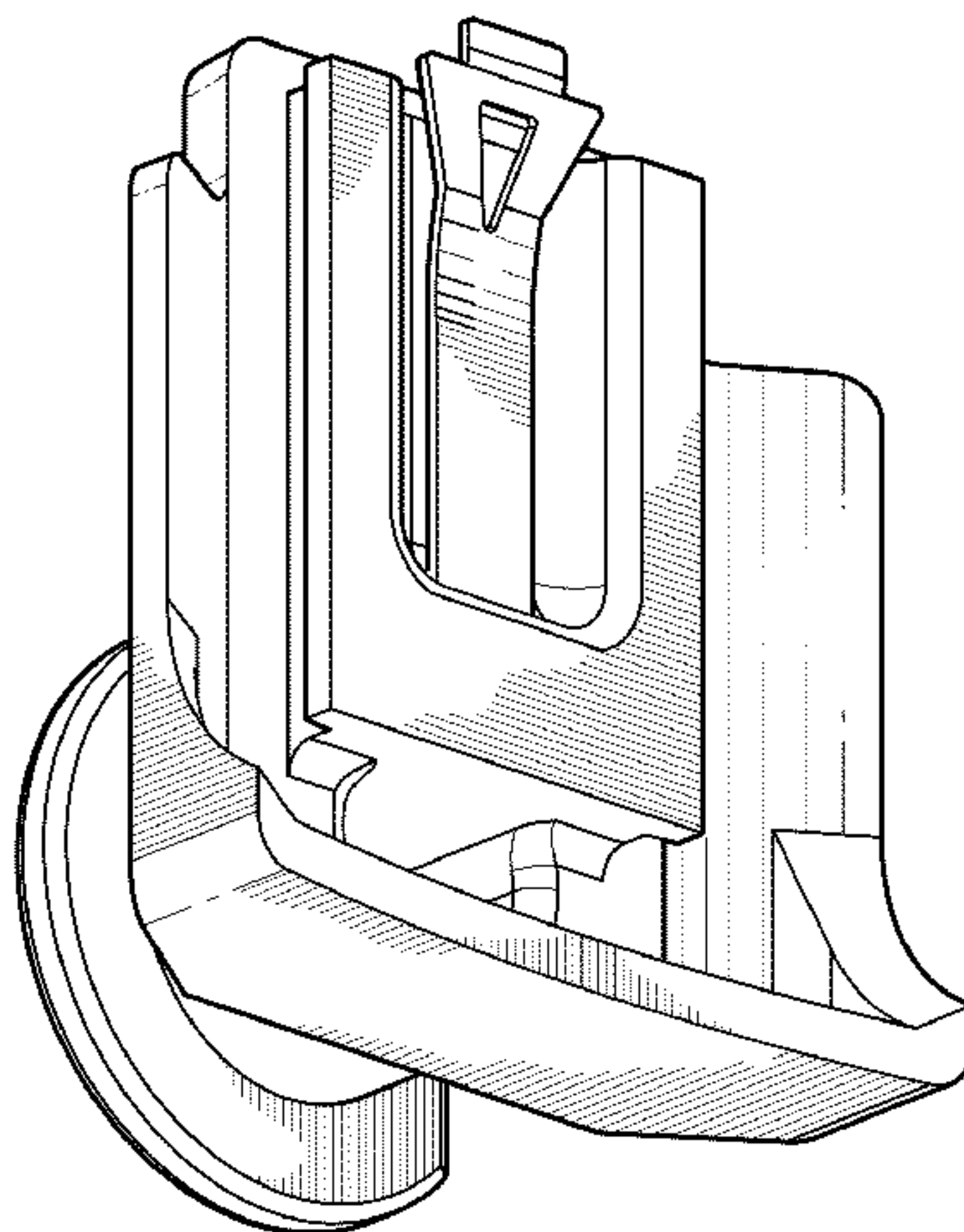
FIG. 9 is a top plan view of the radio-holder member for use with a belt-mounted, two-way radio holder unit assembly.

(56) **References Cited**

U.S. PATENT DOCUMENTS

3,743,147	A	7/1973	Wilczynski	
4,419,794	A	12/1983	Horton, Jr. et al.	
5,054,170	A	10/1991	Otrusina	
5,347,693	A	9/1994	Otrusina	
5,584,423	A	12/1996	Wang	
5,597,102	A	1/1997	Saarikko et al.	
5,850,996	A	12/1998	Liang	
5,906,031	A	5/1999	Jensen	
D436,948	S *	1/2001	Carlson	D14/240
6,233,788	B1	5/2001	Choy et al.	
D478,418	S *	8/2003	Badillo	D3/218
D548,960	S	8/2007	Tages et al.	
D550,450	S *	9/2007	Dong	D3/218
D609,460	S	2/2010	Riccardi	
7,832,606	B2	11/2010	Sin	

1 Claim, 9 Drawing Sheets



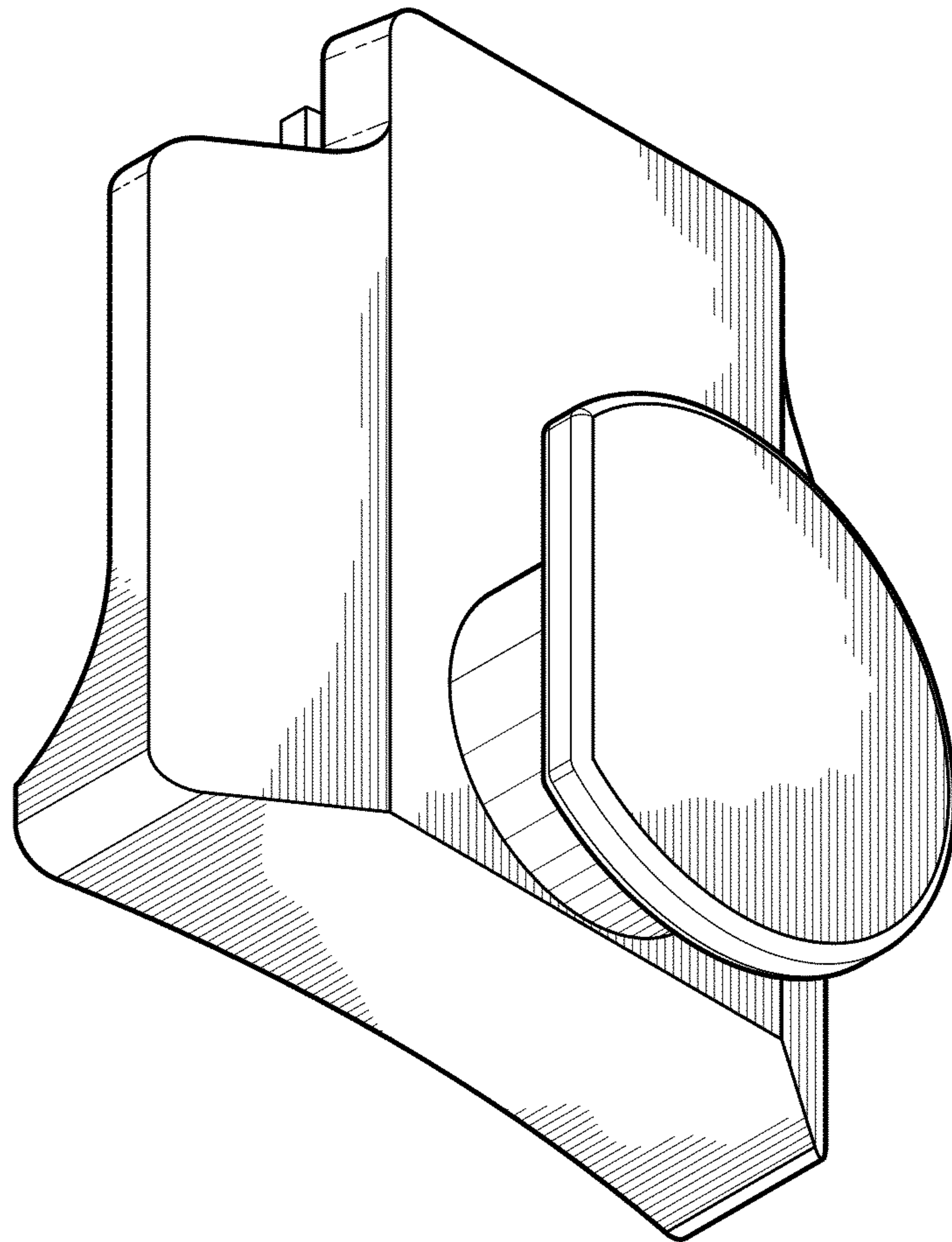


FIG. 1

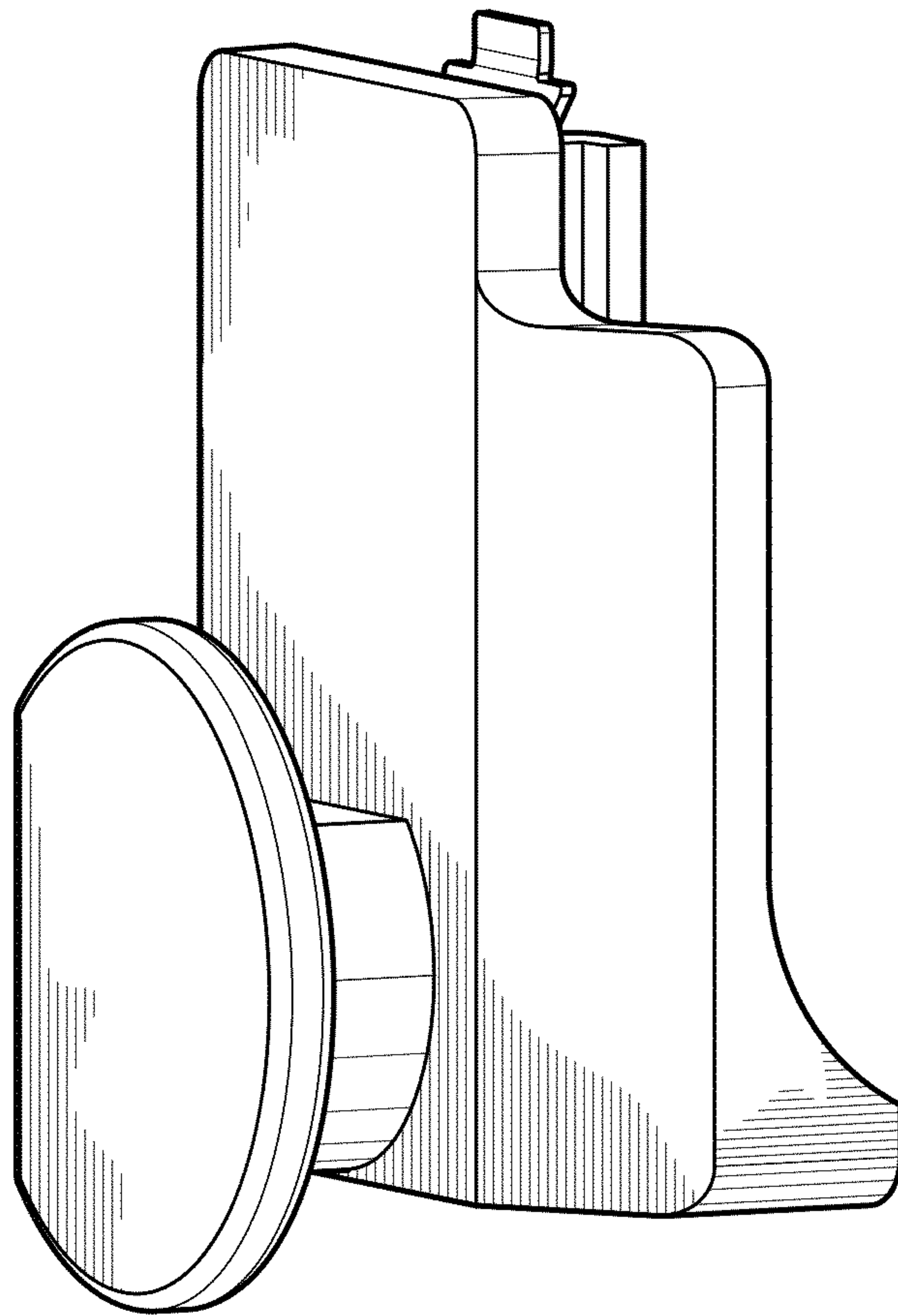


FIG. 2

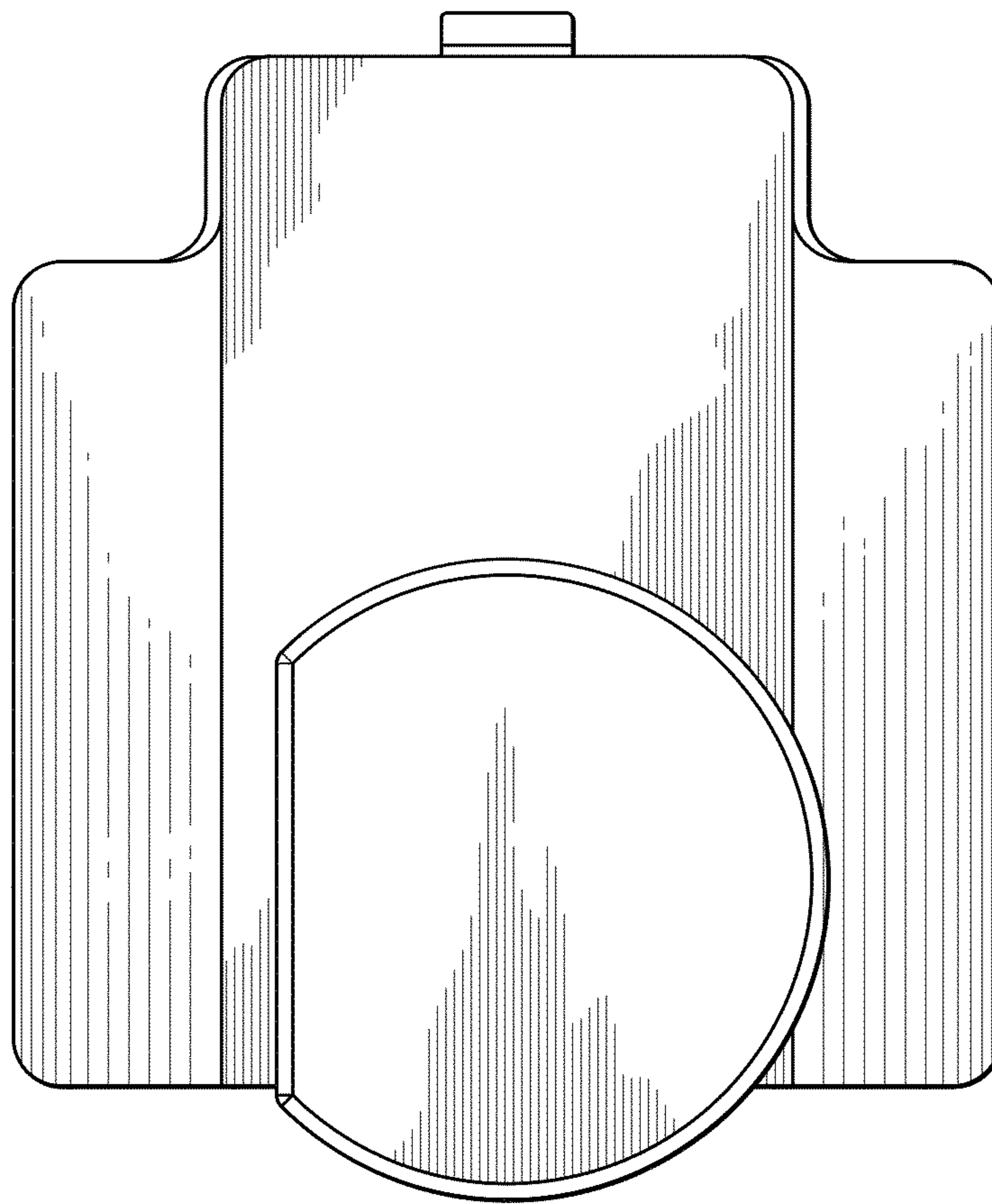


FIG. 3

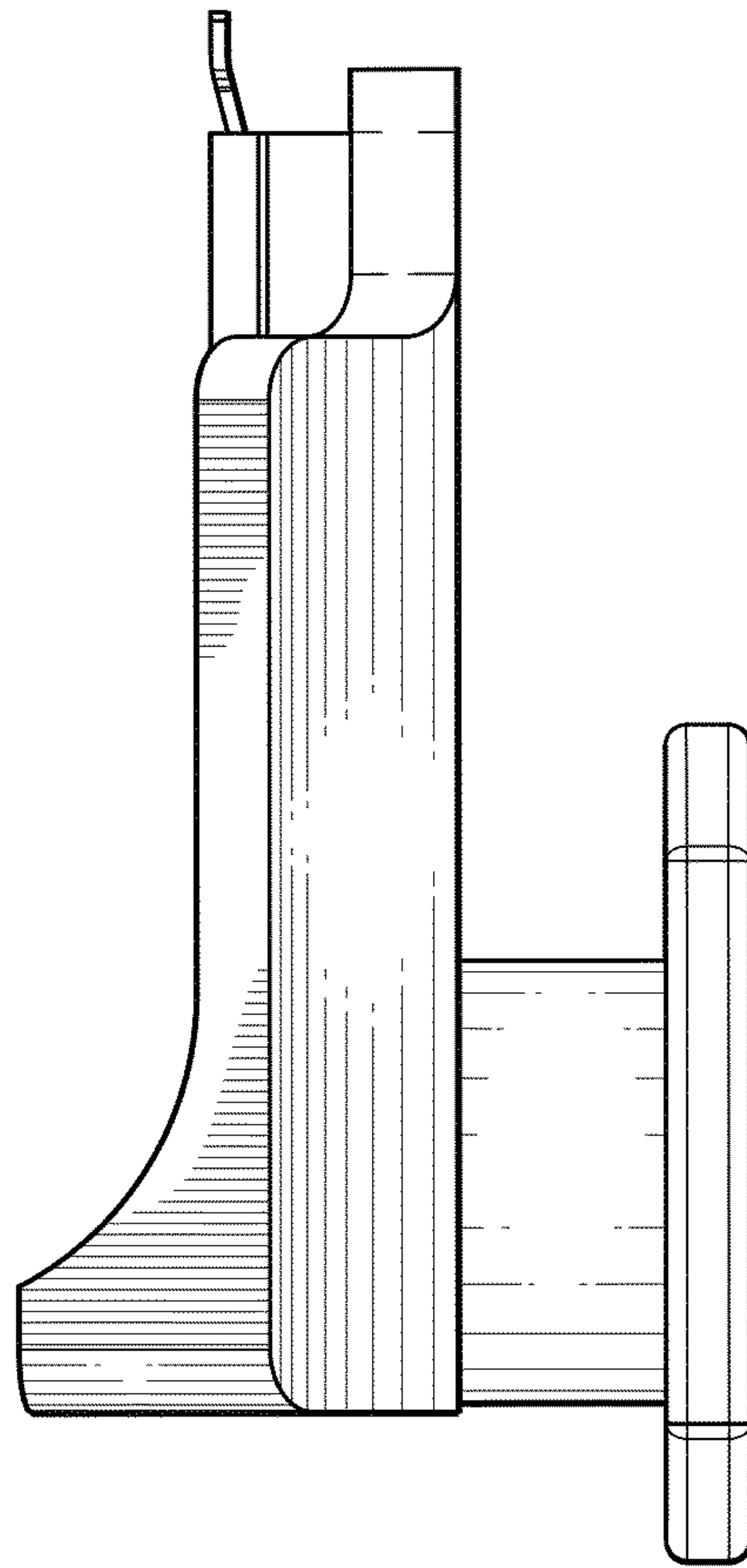


FIG. 4

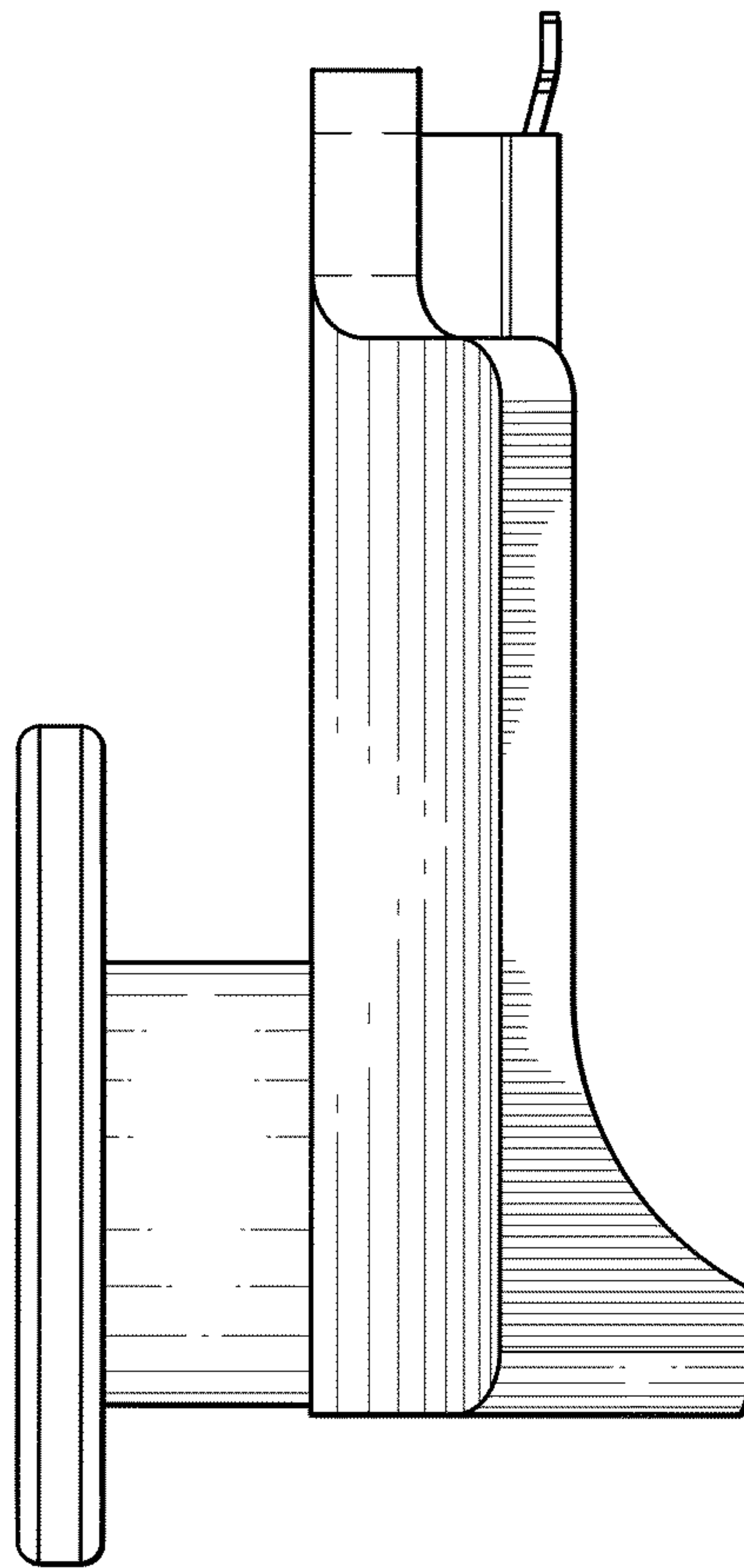


FIG. 5

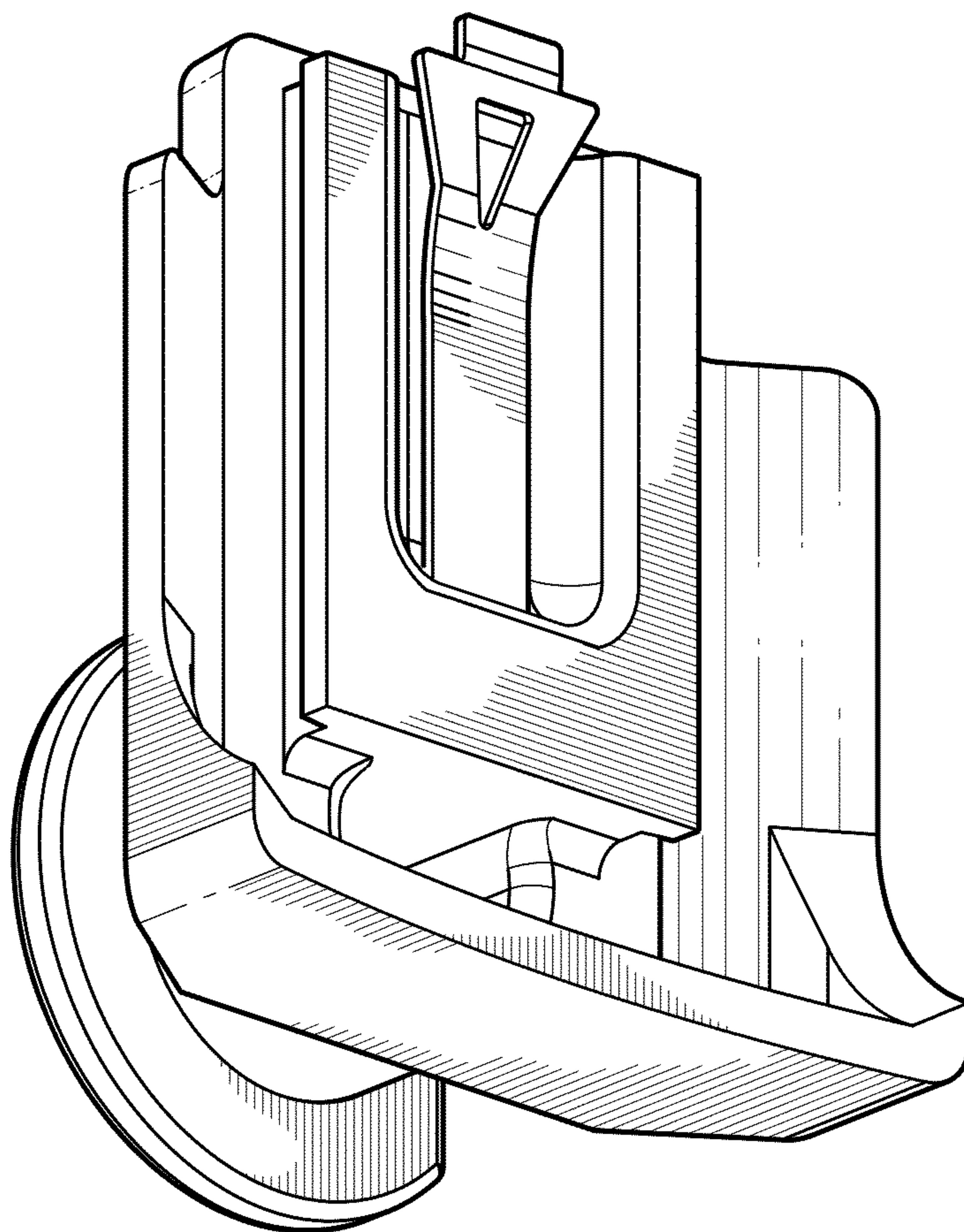


FIG. 6

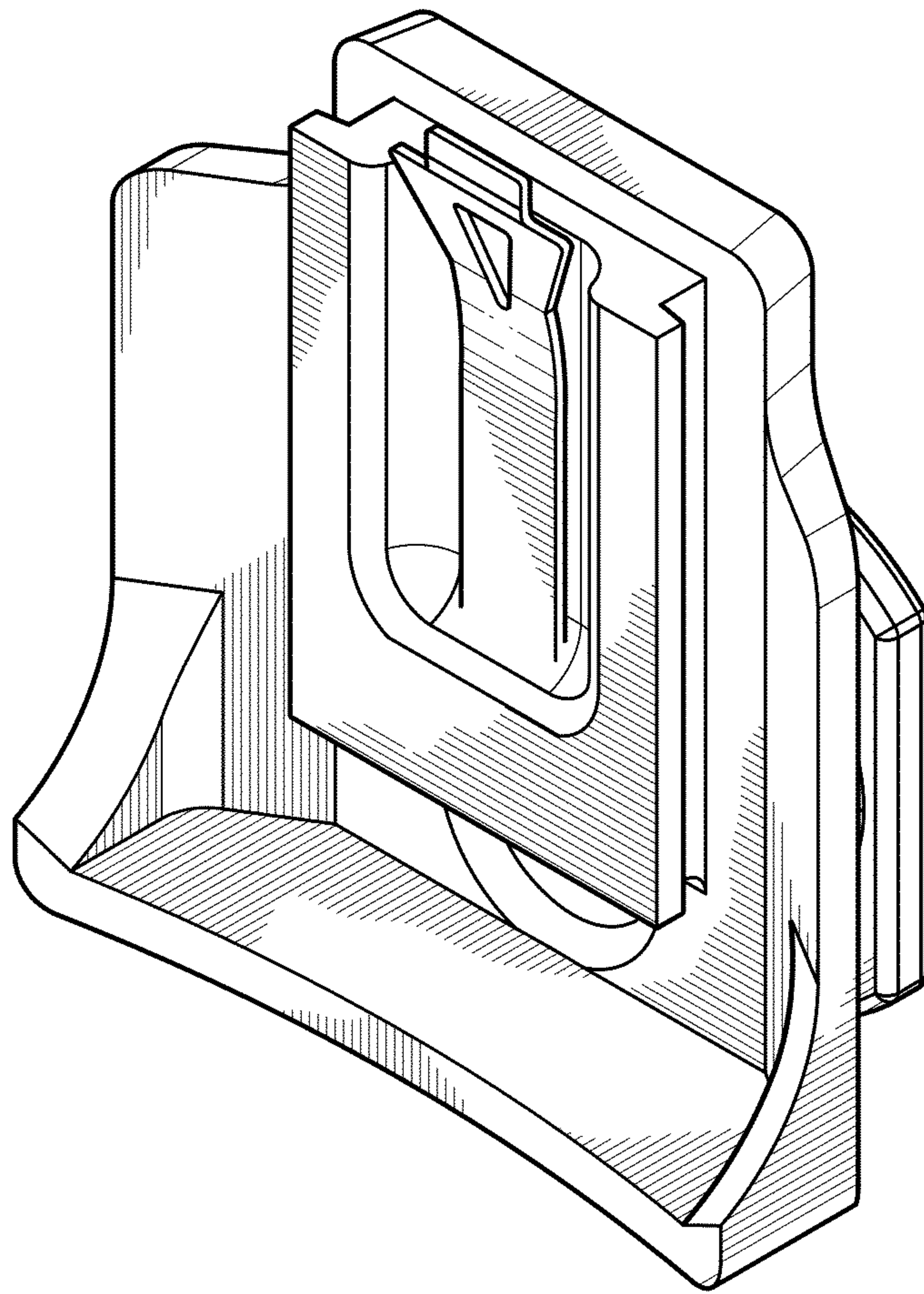


FIG. 7

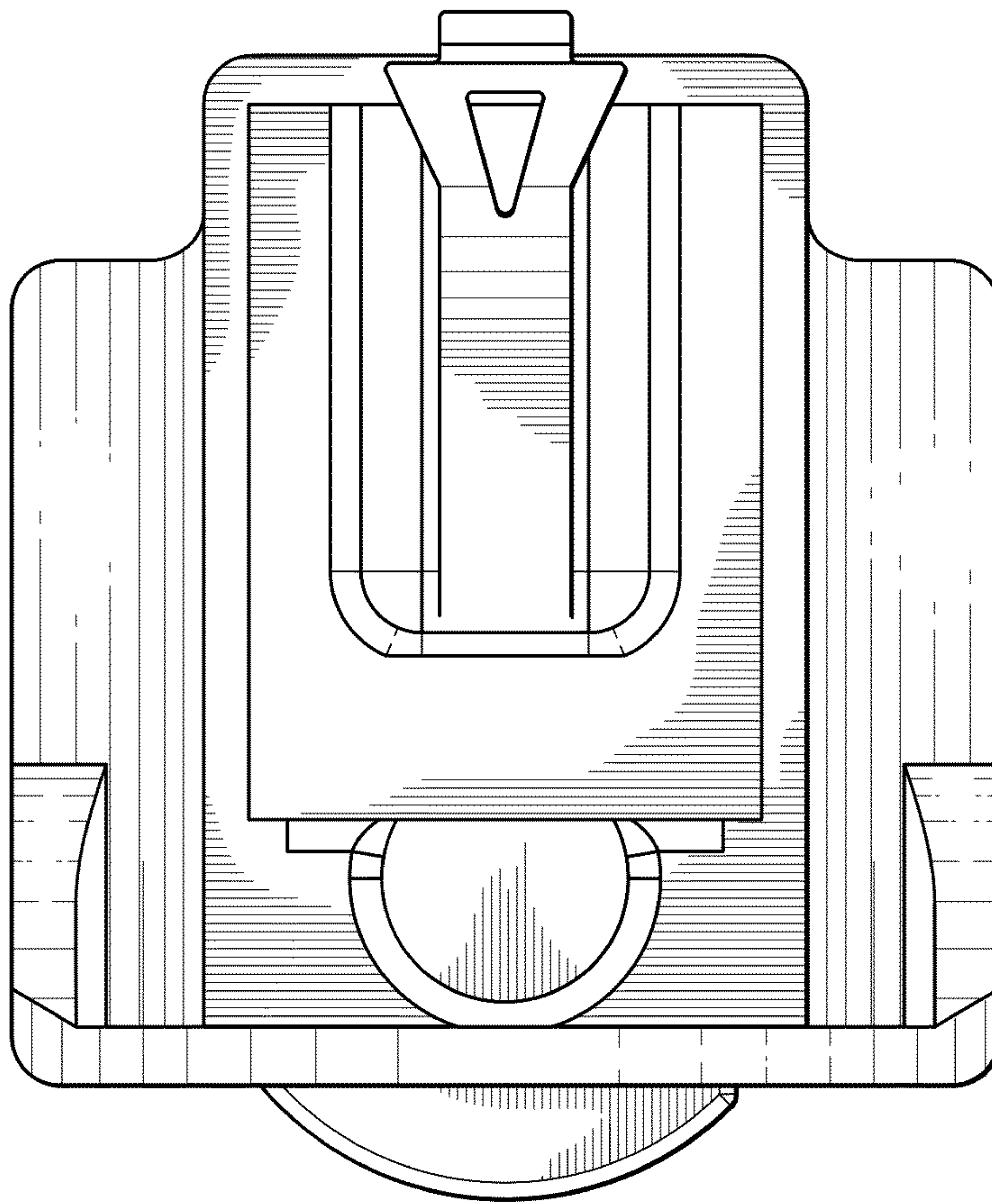


FIG. 8

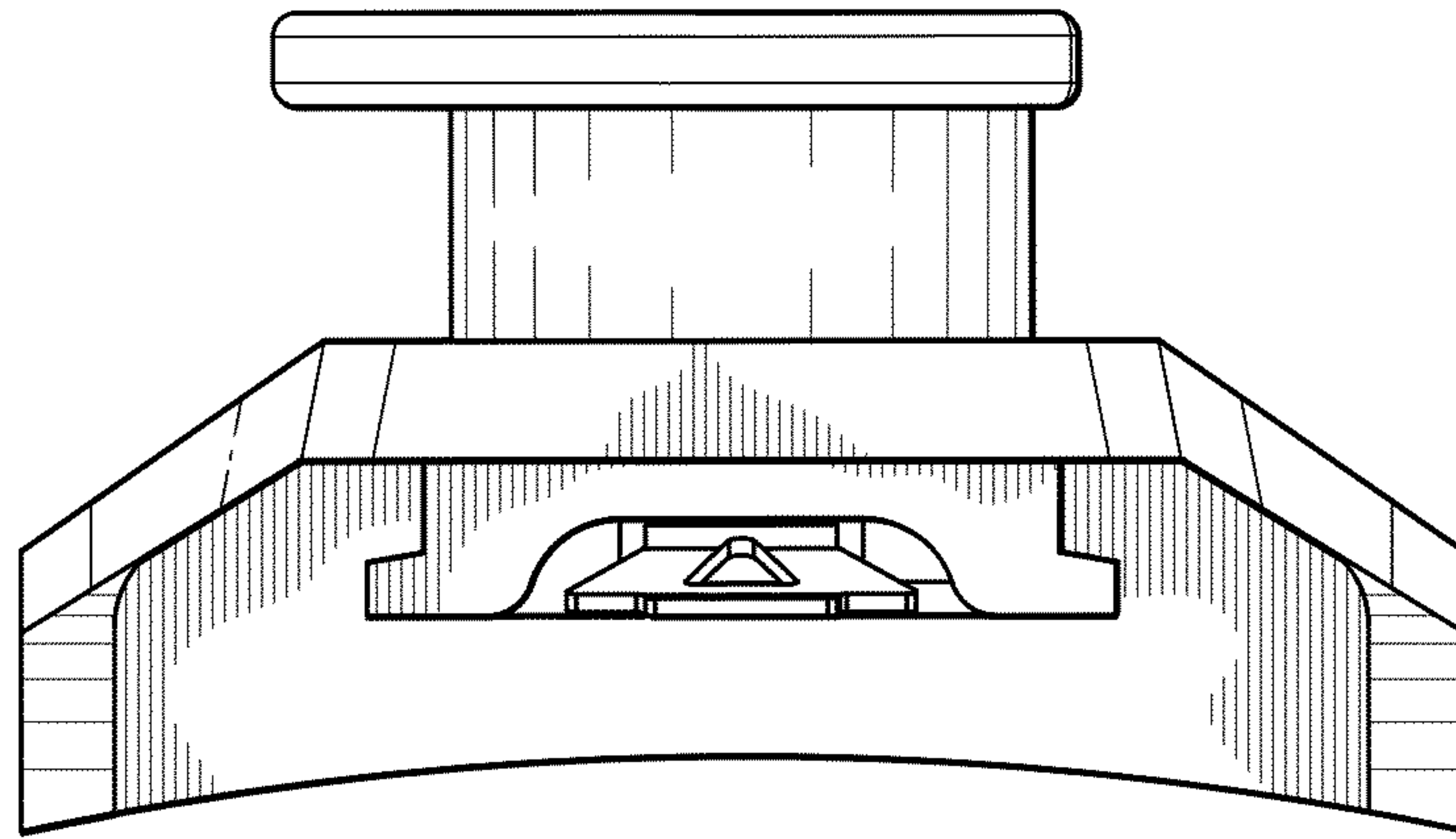


FIG. 9