



US00D742112S

(12) **United States Design Patent**
Heck et al.

(10) **Patent No.:** **US D742,112 S**
(45) **Date of Patent:** **** Nov. 3, 2015**

(54) **DAMP CLOTH FOR ROBOT CLEANER**

FOREIGN PATENT DOCUMENTS

(71) Applicant: **Samsung Electronics Co., Ltd.**,
Suwon-si (KR)

CN 302268711 * 1/2013
CN 302305959 * 1/2013

(72) Inventors: **Felix Heck**, Munich (DE); **YuNa Oh**,
Munich (DE); **JuSuek Lee**, Munich
(DE); **Youna Kim**, Yongin-Si (KR);
YeonYoung Nam, Goyang-si (KR);
Jaeho Jang, Seoul (KR)

OTHER PUBLICATIONS

Modify a Pledge Sweeper So You Can Empty It, Announced Mar. 8,
2009, [Site Visited Jun. 24, 2015] <http://www.instructables.com/id/Modify-a-Pledge-Fabric-Sweeper-so-you-can-empty-it/>.*

(Continued)

(73) Assignee: **Samsung Electronics Co., Ltd.**,
Suwon-si (KR)

Primary Examiner — Eric Goodman

Assistant Examiner — Luqman McNeil

(**) Term: **14 Years**

(74) *Attorney, Agent, or Firm* — NSIP Law

(21) Appl. No.: **29/485,501**

(22) Filed: **Mar. 19, 2014**

(30) **Foreign Application Priority Data**

Sep. 26, 2013 (KR) 30-2013-0049113

(51) **LOC (10) Cl.** **02-07**

(52) **U.S. Cl.**
USPC **D3/25**

(58) **Field of Classification Search**

USPC D3/25; D23/238, 365; D32/21, 32, 35,
D32/16; D15/128, 72; D8/380, 1; D34/35;
210/749, 169; 242/571.4; 83/859;
15/1.7; 271/15

CPC C02F 1/50; B65H 2701/31; B65H 3/0833;
B27B 5/201; E04H 4/1654

See application file for complete search history.

(56) **References Cited**

U.S. PATENT DOCUMENTS

464,623 A * 12/1891 Lewy 242/129.6
470,328 A * 3/1892 Harlow 242/139
1,505,623 A * 8/1924 Burton 242/141
D244,408 S * 5/1977 Jennings D3/25
D289,096 S * 3/1987 Larsen D32/21
D304,513 S * 11/1989 Loffredo D32/40

(Continued)

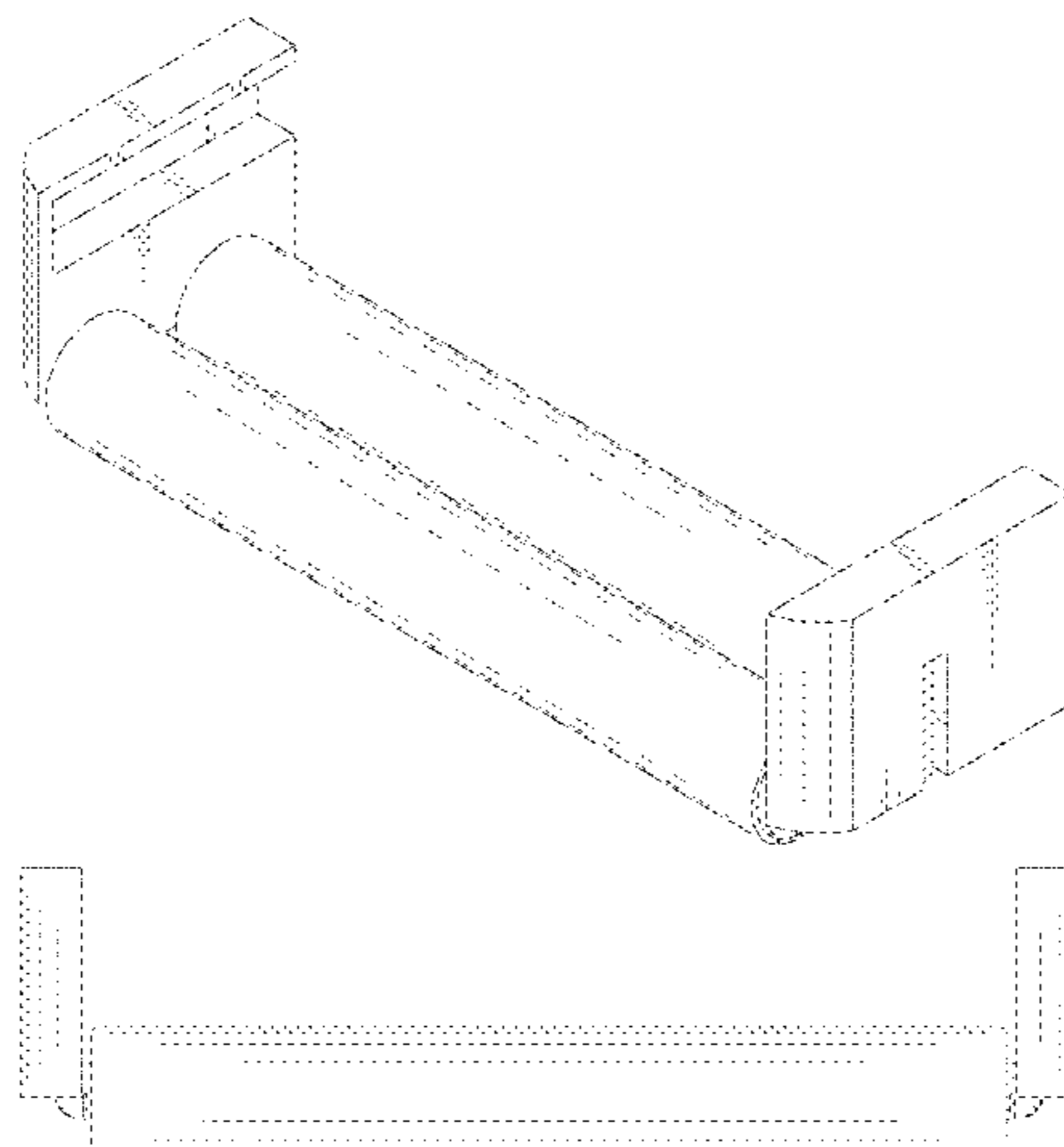
(57) **CLAIM**

We claim the ornamental design for a damp cloth for robot cleaner, as shown and described.

DESCRIPTION

FIG. 1 is a front perspective view of a damp cloth for robot cleaner showing our new design;
FIG. 2 is a front view thereof;
FIG. 3 is a rear view thereof;
FIG. 4 is a left-side view thereof;
FIG. 5 is a right-side view thereof;
FIG. 6 is a top view thereof;
FIG. 7 is a bottom view thereof;
FIG. 8 is an exploded front view thereof, in which a robot cleaner in broken lines is provided to illustrate an example environment; and,
FIG. 9 is an exploded front perspective view thereof, in which a robot cleaner in broken lines is provided to illustrate another example environment.
The broken line showing of the robot cleaner in FIGS. 8 and 9 is for environmental purposes only and forms no part of the claimed design.

1 Claim, 9 Drawing Sheets



(56)

References Cited

U.S. PATENT DOCUMENTS

D306,795 S * 3/1990 Akin D3/23
 D359,466 S * 6/1995 Eggers et al. D12/115
 D393,116 S * 3/1998 Kajimoto et al. D32/40
 D410,539 S * 6/1999 Gutmann D23/364
 5,913,485 A * 6/1999 Bruffett 242/139
 6,212,725 B1 * 4/2001 Porat 15/1.7
 6,254,383 B1 * 7/2001 White 433/18
 D447,755 S * 9/2001 Howard D15/72
 D471,623 S * 3/2003 Gieseke et al. D23/365
 D477,659 S * 7/2003 Gieseke et al. D23/365
 D482,508 S * 11/2003 DeVries D34/35
 D492,105 S * 6/2004 Sauber D3/25
 D505,256 S * 5/2005 Nepp D3/25
 6,954,960 B2 * 10/2005 Pichon 15/1.7
 D518,610 S * 4/2006 Cheng D32/21
 D526,101 S * 8/2006 Blanc-Tailleur D32/16
 D541,606 S * 5/2007 Griffin et al. D8/1
 D559,359 S * 1/2008 Heck et al. D23/238
 D575,915 S * 8/2008 Dreyer D32/15

D586,959 S * 2/2009 Geringer et al. D32/21
 D593,265 S * 5/2009 Carr et al. D32/21
 D594,612 S * 6/2009 Umeda D32/32
 D598,168 S * 8/2009 Sumonthee D32/21
 D599,967 S * 9/2009 Blanc-Tailleur D32/1
 7,736,523 B2 * 6/2010 King 210/749
 7,992,819 B2 * 8/2011 King 242/571.4
 D655,730 S * 3/2012 Block et al. D15/128
 D663,611 S * 7/2012 Nunez Farfan D8/380
 D672,517 S * 12/2012 Slugher D32/35
 2002/0104790 A1 * 8/2002 Lincke 210/169
 2004/0025268 A1 * 2/2004 Porat et al. 15/1.7
 2005/0253324 A1 * 11/2005 Corcoran et al. 271/15
 2011/0252939 A1 * 10/2011 Nabity et al. 83/859

OTHER PUBLICATIONS

Rolling Machine With Three Rollers—W11 Series Symmetric Rolling Machine With Three Rollers, Announced Dec. 5, 2009, [Site Visited Jun. 24, 2015] http://www.zhongrui.net.cn/en/product_class_25.htm.*

* cited by examiner

FIG. 1

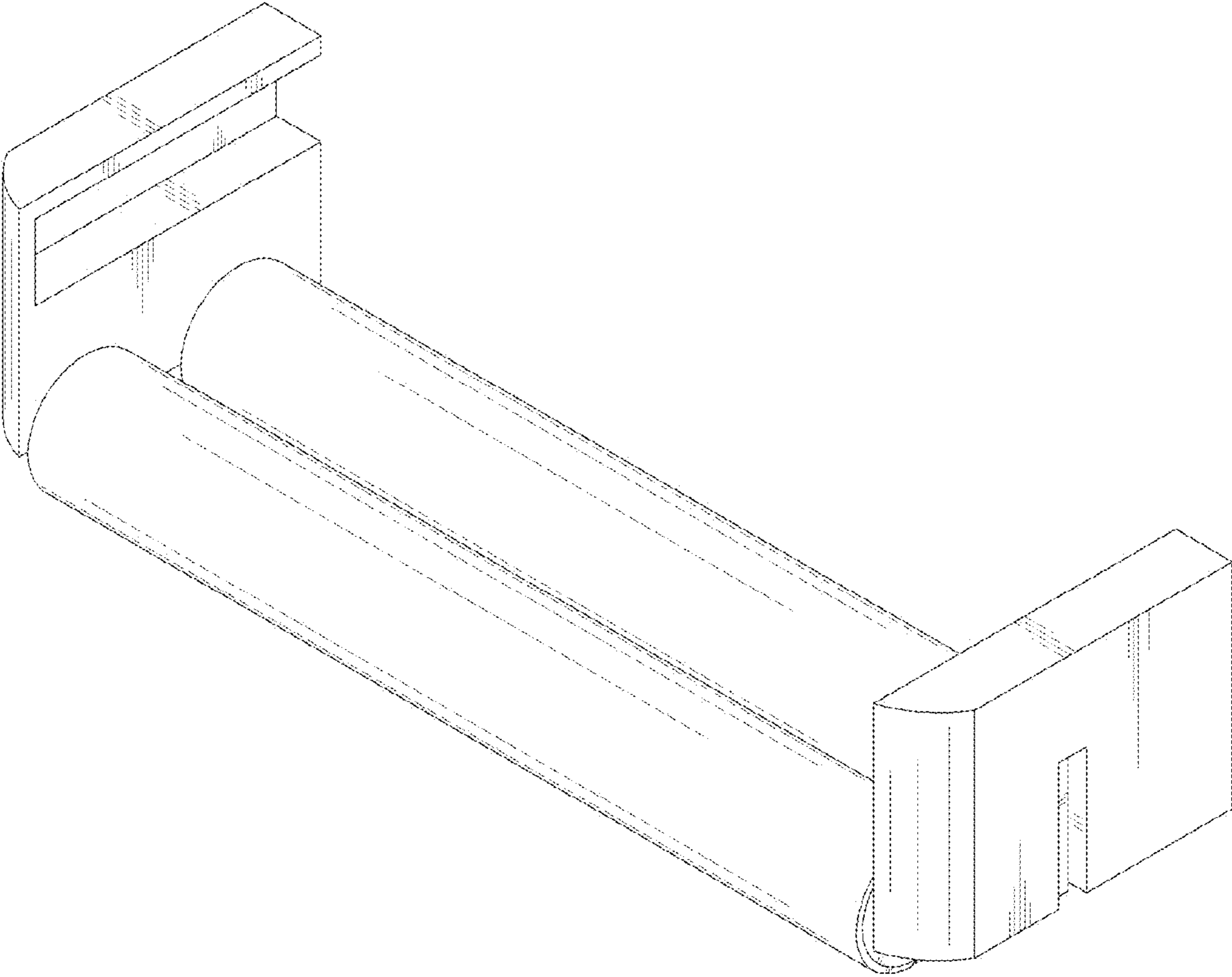


FIG. 2

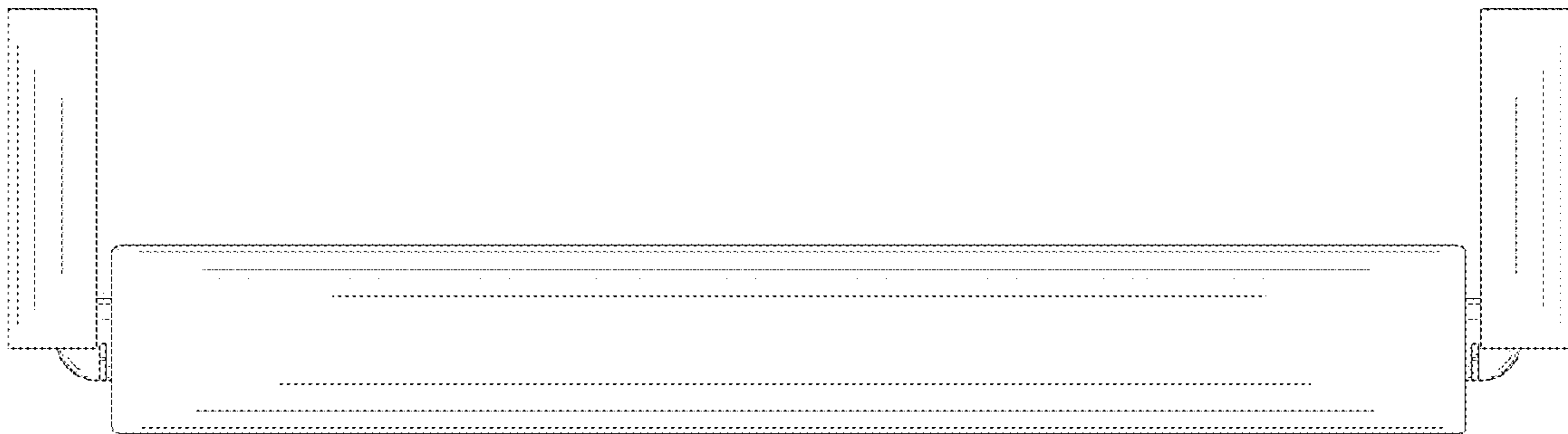


FIG. 3

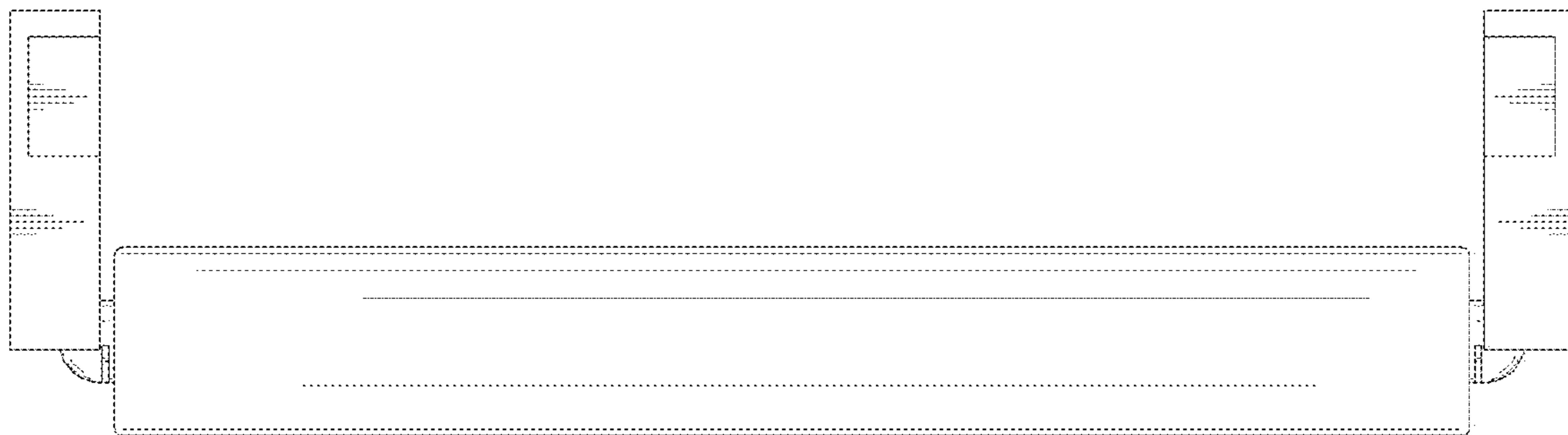


FIG. 4

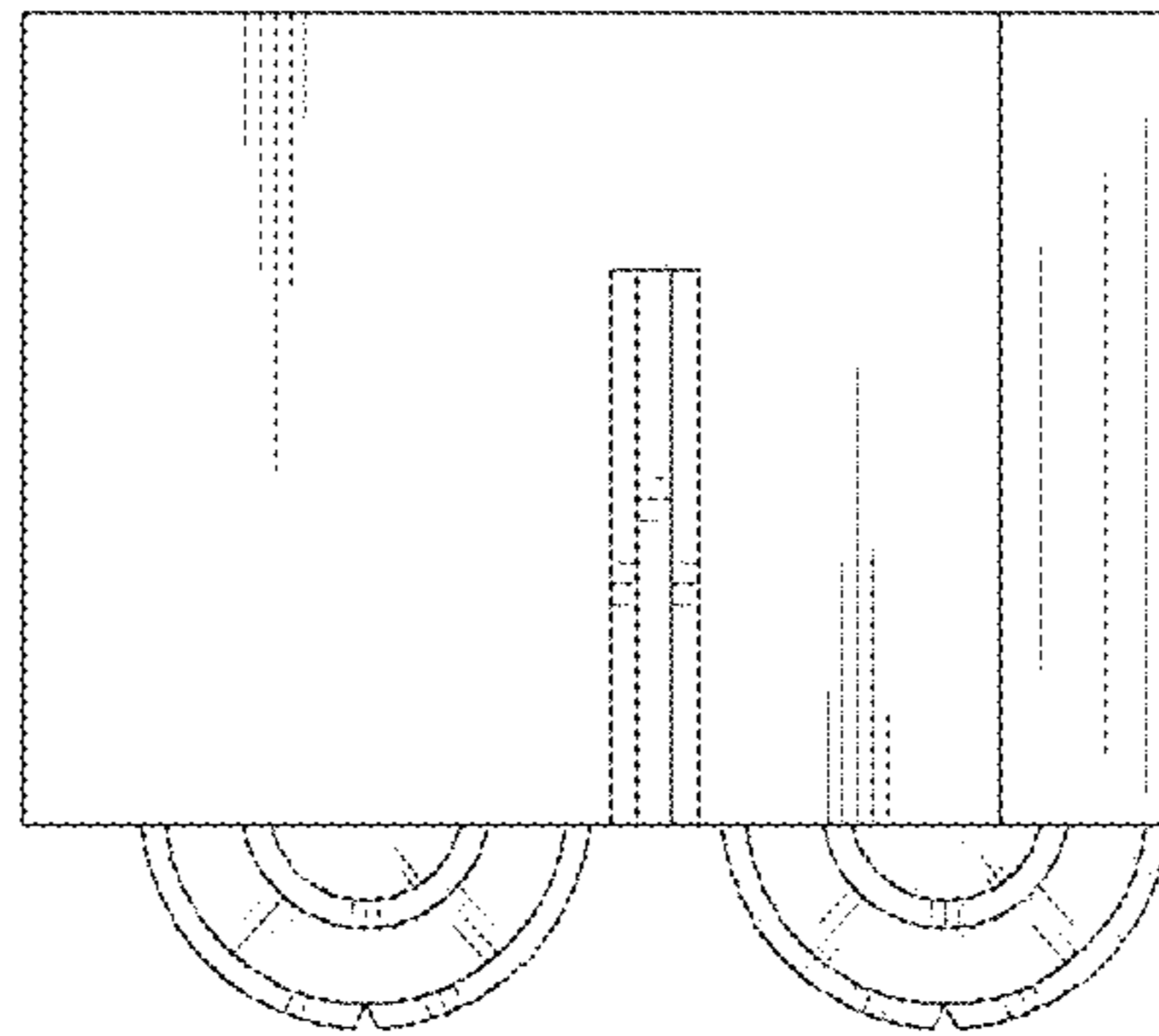


FIG. 5

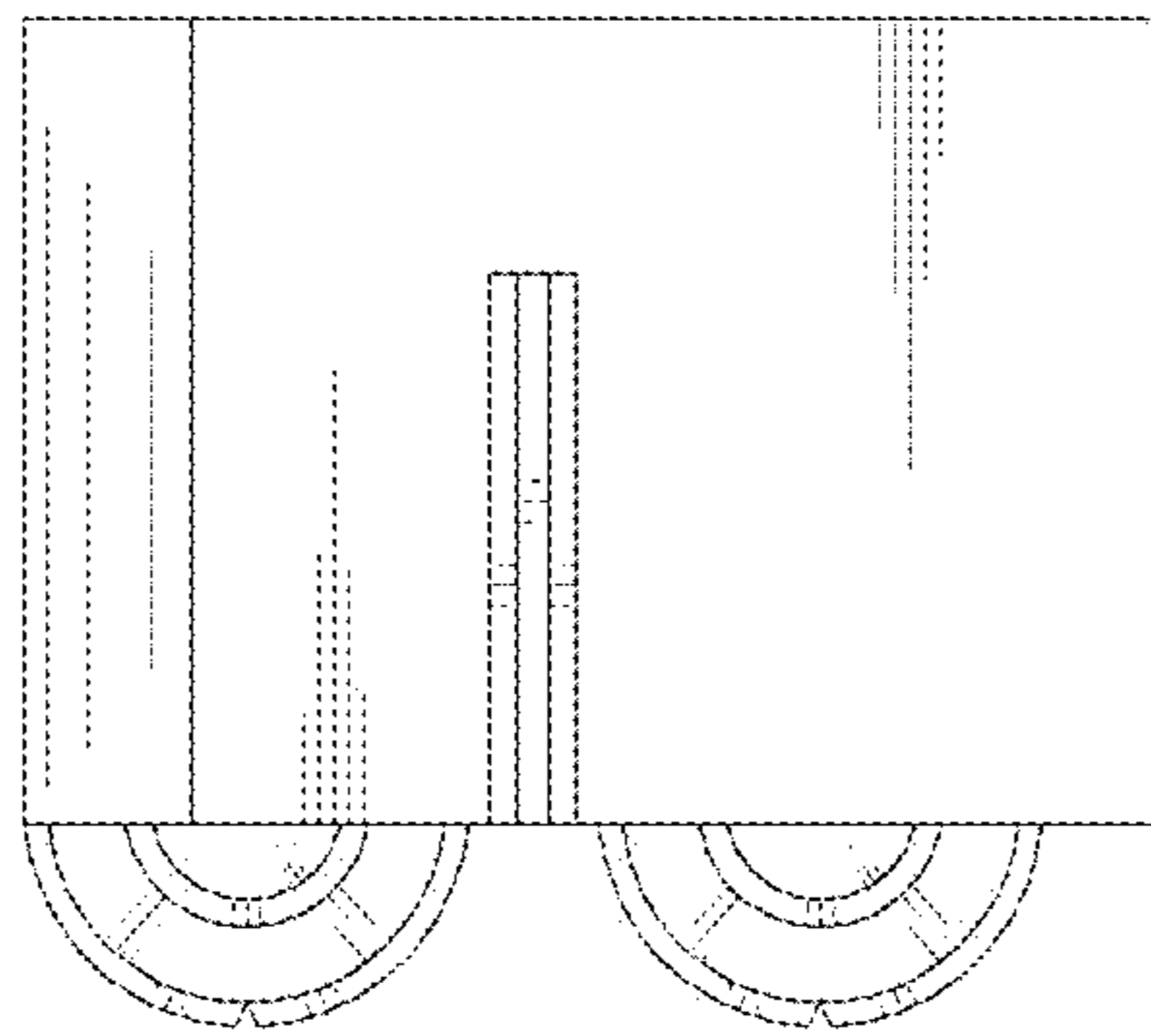


FIG. 6

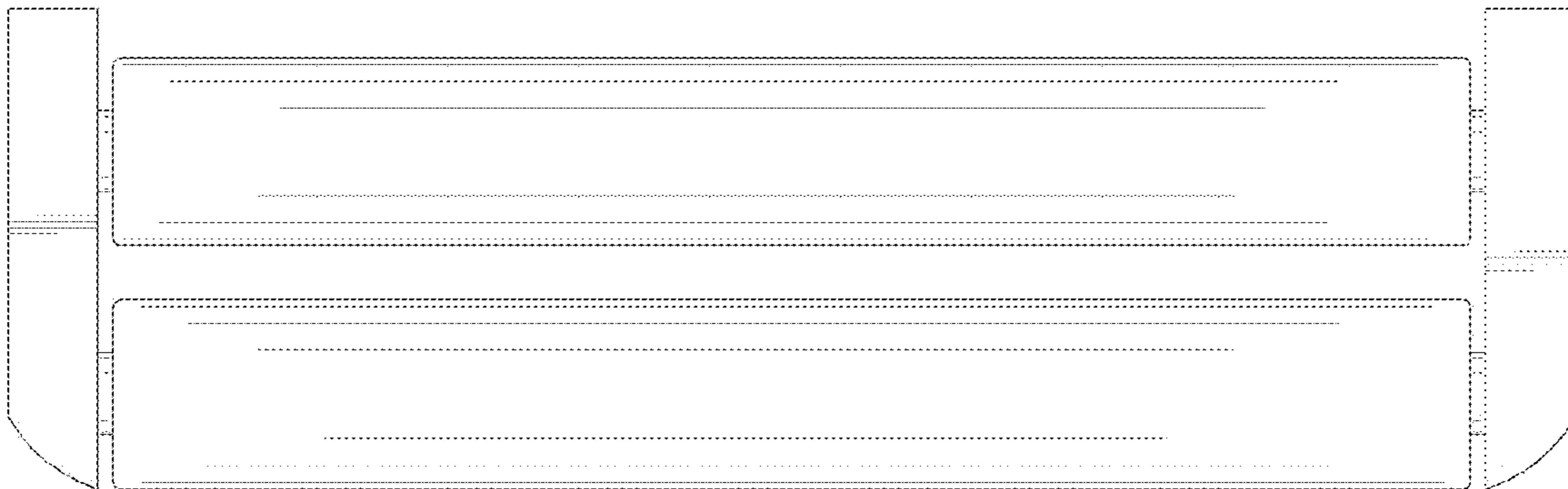


FIG. 7

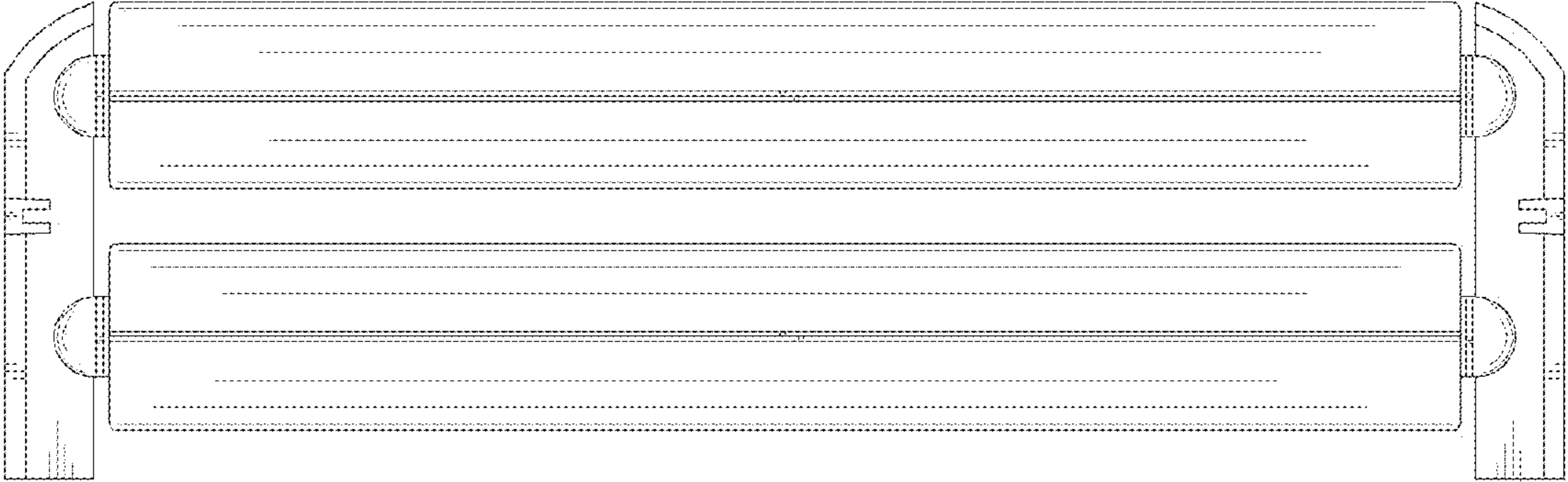


FIG. 8

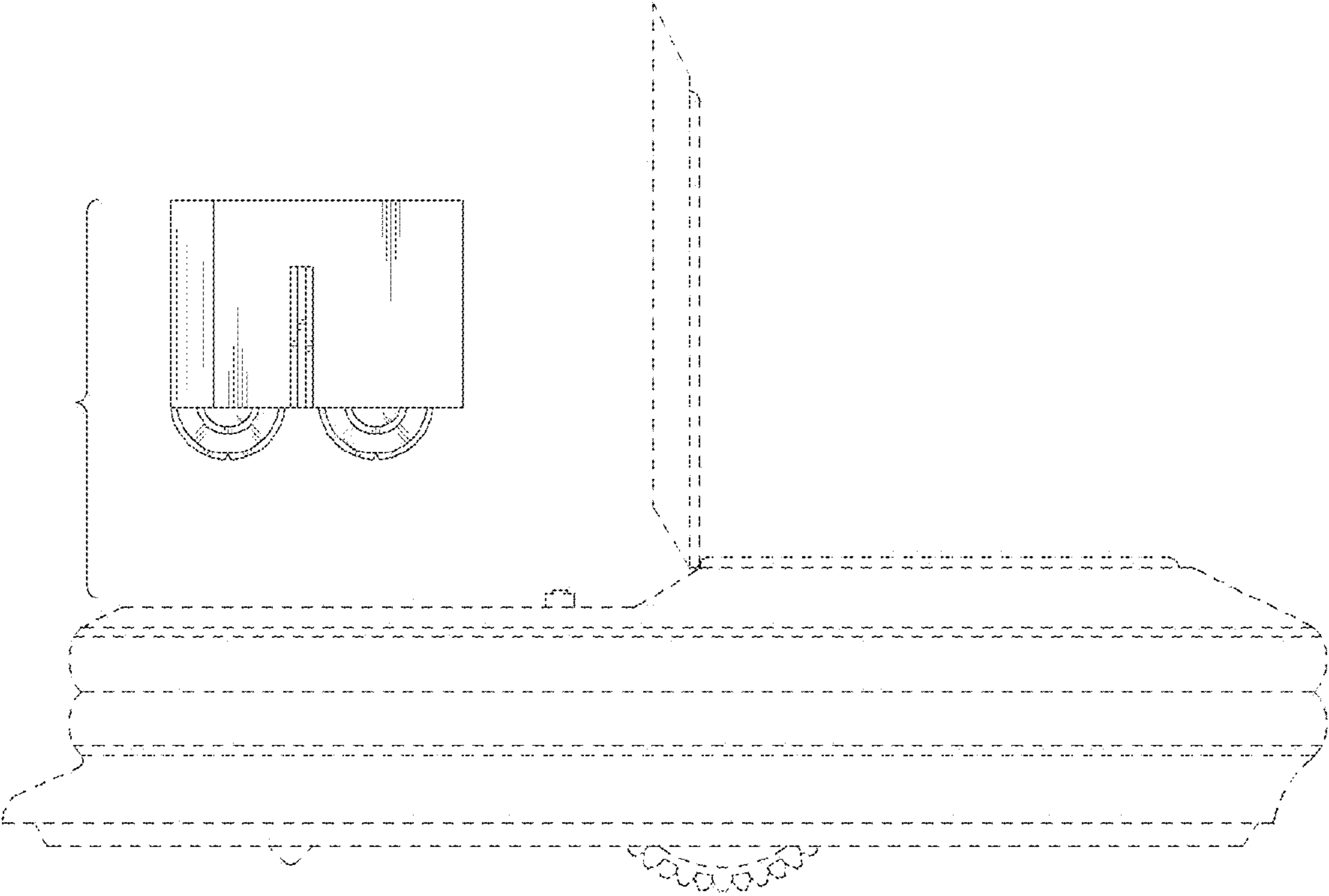


FIG. 9

