



US00D742109S

(12) **United States Design Patent**
Grenet

(10) **Patent No.:** **US D742,109 S**
(45) **Date of Patent:** **** Nov. 3, 2015**

(54) **UPPER OF A FOOTWEAR ARTICLE**

(71) Applicant: **Benjamin Grenet**, Moye (FR)

(72) Inventor: **Benjamin Grenet**, Moye (FR)

(73) Assignee: **Salomon S.A.S.**, Annecy (FR)

(**) Term: **14 Years**

(21) Appl. No.: **29/440,449**

(22) Filed: **Dec. 21, 2012**

(30) **Foreign Application Priority Data**

Jun. 22, 2012 (WO) DM/078 630

(51) **LOC (10) Cl.** **02-99**

(52) **U.S. Cl.**
USPC **D2/972**

(58) **Field of Classification Search**

USPC D2/902, 906-908, 944, 969, 972-974;
36/245, 50.1, 77 M, 77 R, 83, 88, 113,
36/114, 126-131

See application file for complete search history.

(56) **References Cited**

U.S. PATENT DOCUMENTS

D297,781 S *	9/1988	Diaz et al.	D2/973
D401,755 S	12/1998	Zinovieff		
D404,542 S	1/1999	Donnadieu		
D404,543 S	1/1999	Donnadieu		
D413,427 S	9/1999	Fellouhe		
D415,875 S	11/1999	Falguere		
D425,693 S	5/2000	Fellouhe		
D426,949 S	6/2000	Barret		
D428,245 S *	7/2000	Brown	D2/972
D434,212 S	11/2000	LaBerge		
D434,552 S	12/2000	Burt		
D434,553 S	12/2000	Burt		
D434,894 S	12/2000	Burt		
D435,165 S	12/2000	Burt		

D435,336 S	12/2000	Barret
D435,718 S	1/2001	Laberge
D436,433 S	1/2001	Laberge
D446,004 S	8/2001	Burt
D450,913 S	11/2001	Banik
D451,267 S	12/2001	Laberge
D451,268 S	12/2001	Laberge
D451,269 S	12/2001	Burt
D452,068 S	12/2001	Laberge
D452,368 S	12/2001	Chaigne
D452,607 S	1/2002	Sakai
D453,616 S	2/2002	Sakai
D455,251 S	4/2002	Sakai
D457,296 S	5/2002	Burt
D459,870 S	7/2002	St-Louis
D460,250 S	7/2002	Hillyer
D460,610 S	7/2002	Sakai
D464,479 S	10/2002	Banik
D465,909 S	11/2002	Ornerakis
D467,062 S	12/2002	Delgorgue
D467,064 S	12/2002	Hillyer
D467,724 S	12/2002	Hillyer
D471,700 S	3/2003	Banik

(Continued)

Primary Examiner — Dominic Simone

(74) *Attorney, Agent, or Firm* — Terence P. O'Brien

(57) **CLAIM**

I claim the ornamental design for an upper of a footwear article, as shown and described.

DESCRIPTION

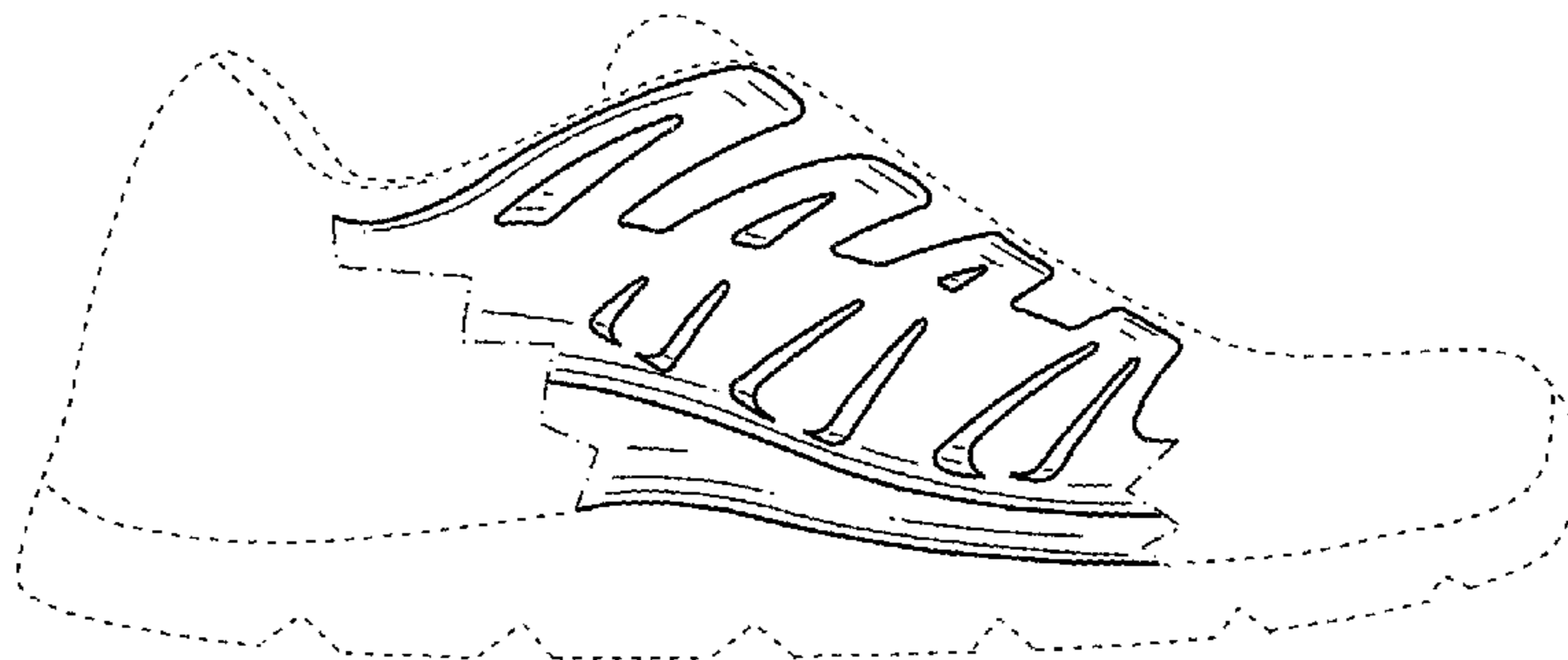
FIG. 1 is a side perspective view of an upper of a footwear article;

FIG. 2 is a side view of the upper of a footwear article of FIG. 1; and,

FIG. 3 is a top view of the upper of a footwear article of FIG. 1.

The ornamental design that is claimed is shown in solid lines in the drawings. The broken (dashed) lines shown in the figures are included for the purpose of illustrating environmental elements only and form no part of the claimed design.

1 Claim, 2 Drawing Sheets



(56)

References Cited

U.S. PATENT DOCUMENTS

D472,040 S 3/2003 Koo
D473,368 S * 4/2003 Wilson D2/969
D475,189 S 6/2003 Laberge
D475,515 S 6/2003 St-Louis
D475,516 S 6/2003 Laberge
D475,517 S 6/2003 St-Louis
D479,391 S 9/2003 Hillyer
D479,392 S 9/2003 Hillyer
D479,644 S 9/2003 Sakai
D481,530 S 11/2003 Hillyer
D482,515 S 11/2003 St-Louis
D482,858 S 12/2003 Hillyer
D482,859 S 12/2003 Laberge
D482,861 S 12/2003 St-Louis
D483,938 S 12/2003 Laberge
D485,428 S 1/2004 Koo
D485,429 S 1/2004 Koo
D485,669 S 1/2004 Koo
D485,670 S 1/2004 Laberge
D486,301 S 2/2004 Koo
D487,339 S 3/2004 Laberge
D488,917 S 4/2004 Koo
D489,168 S 5/2004 Laberge
D493,955 S 8/2004 Gay
D494,350 S 8/2004 Hillyer
D502,310 S 3/2005 Tresser
D513,847 S 1/2006 Laberge
D515,799 S 2/2006 Bertholon
D515,800 S 2/2006 Bertholon
D516,790 S 3/2006 Stryjak
D516,795 S 3/2006 Tresser
D517,301 S 3/2006 Stryjak
D517,303 S 3/2006 Laberge
D525,773 S * 8/2006 Cass D2/972
D527,173 S 8/2006 Stryjak
D541,517 S 5/2007 Laberge
D545,040 S 6/2007 Laberge
D545,546 S * 7/2007 Schoenborn et al. D2/969
D548,942 S 8/2007 Stryjak
D551,438 S 9/2007 Laberge
D551,838 S 10/2007 Brewer
D551,839 S 10/2007 Bertholon
D552,339 S 10/2007 Gay
D560,902 S 2/2008 Gay
D570,591 S 6/2008 Farys
D575,500 S 8/2008 Laberge
D575,501 S 8/2008 Amphyon
D576,400 S 9/2008 Grenet
D576,401 S 9/2008 Grenet
D587,445 S 3/2009 Amphyon
D588,350 S 3/2009 Amphyon
D600,898 S * 9/2009 St-Louis et al. D2/969
D604,939 S 12/2009 Grenet
D605,845 S 12/2009 Grenet
D605,846 S 12/2009 Amphyon
D606,294 S 12/2009 Grenet
D612,143 S 3/2010 Amphyon
D612,144 S 3/2010 Bosomworth
D612,145 S 3/2010 Bosomworth
D613,053 S 4/2010 Richard
D621,597 S 8/2010 Grenet
D621,598 S 8/2010 Leleu
D622,049 S 8/2010 Amphyon
D622,050 S 8/2010 Amphyon
D622,051 S 8/2010 Leleu
D622,052 S 8/2010 Grenet
D622,053 S 8/2010 Grenet
D622,054 S 8/2010 Bosomworth
D622,055 S 8/2010 Bosomworth
D622,056 S 8/2010 Fuhrer
D622,493 S 8/2010 Leleu
D623,391 S 9/2010 Leleu
D623,392 S 9/2010 Grenet
D623,839 S 9/2010 Leleu
D629,190 S 12/2010 Bosomworth
D629,599 S 12/2010 Bosomworth
D634,533 S 3/2011 Leleu
D641,966 S 7/2011 Fuhrer
D642,366 S 8/2011 Fuhrer
D642,367 S 8/2011 Fuhrer
D643,199 S 8/2011 Fuhrer
D644,019 S 8/2011 Grenet
D658,862 S 5/2012 Stryjak
D658,863 S 5/2012 Stryjak
D658,864 S 5/2012 Stryjak
D658,865 S 5/2012 Stryjak
D658,866 S 5/2012 Stryjak
D659,372 S 5/2012 Stryjak
D659,977 S 5/2012 Stryjak
D659,978 S 5/2012 Grenet et al.
D659,979 S 5/2012 Grenet et al.
D659,980 S 5/2012 Grenet
D659,981 S 5/2012 Grenet
D659,982 S 5/2012 Grenet
D659,983 S 5/2012 Grenet
D659,984 S 5/2012 Grenet
D659,985 S 5/2012 Grenet
D660,573 S 5/2012 Grenet
D660,574 S 5/2012 Grenet
D660,575 S 5/2012 Grenet
D660,576 S 5/2012 Grenet
D660,578 S 5/2012 Grenet
D671,731 S 12/2012 Amphyon
D679,081 S * 4/2013 Bosomworth D2/972
D679,082 S 4/2013 Bosomworth
D679,083 S 4/2013 Bosomworth
D679,084 S 4/2013 Grenet
D679,085 S 4/2013 Grenet
D679,903 S 4/2013 Grenet
D680,314 S 4/2013 Amphyon
D680,315 S * 4/2013 Amphyon D2/972
D680,728 S 4/2013 Stryjak
D684,757 S 6/2013 Grenet
D690,491 S 10/2013 Bosomworth
D690,492 S 10/2013 Bosomworth
D690,494 S 10/2013 Bosomworth
D690,495 S * 10/2013 Bosomworth D2/972
D690,496 S 10/2013 Leleu
D690,923 S * 10/2013 Amphyon D2/972
D693,557 S 11/2013 Grenet
D693,558 S 11/2013 Bosomworth
D701,029 S 3/2014 Grenet
D701,030 S 3/2014 Grenet
D701,031 S 3/2014 Grenet
D701,033 S 3/2014 Leleu
D701,034 S 3/2014 Bosomworth
D701,384 S 3/2014 Leleu
D706,025 S 6/2014 Ameye
D711,639 S 8/2014 Fuhrer
D711,640 S 8/2014 Amphyon
D711,641 S * 8/2014 Grenet et al. D2/972
D711,642 S 8/2014 Bosomworth
D711,643 S 8/2014 Bosomworth
D712,131 S 9/2014 Leleu

* cited by examiner

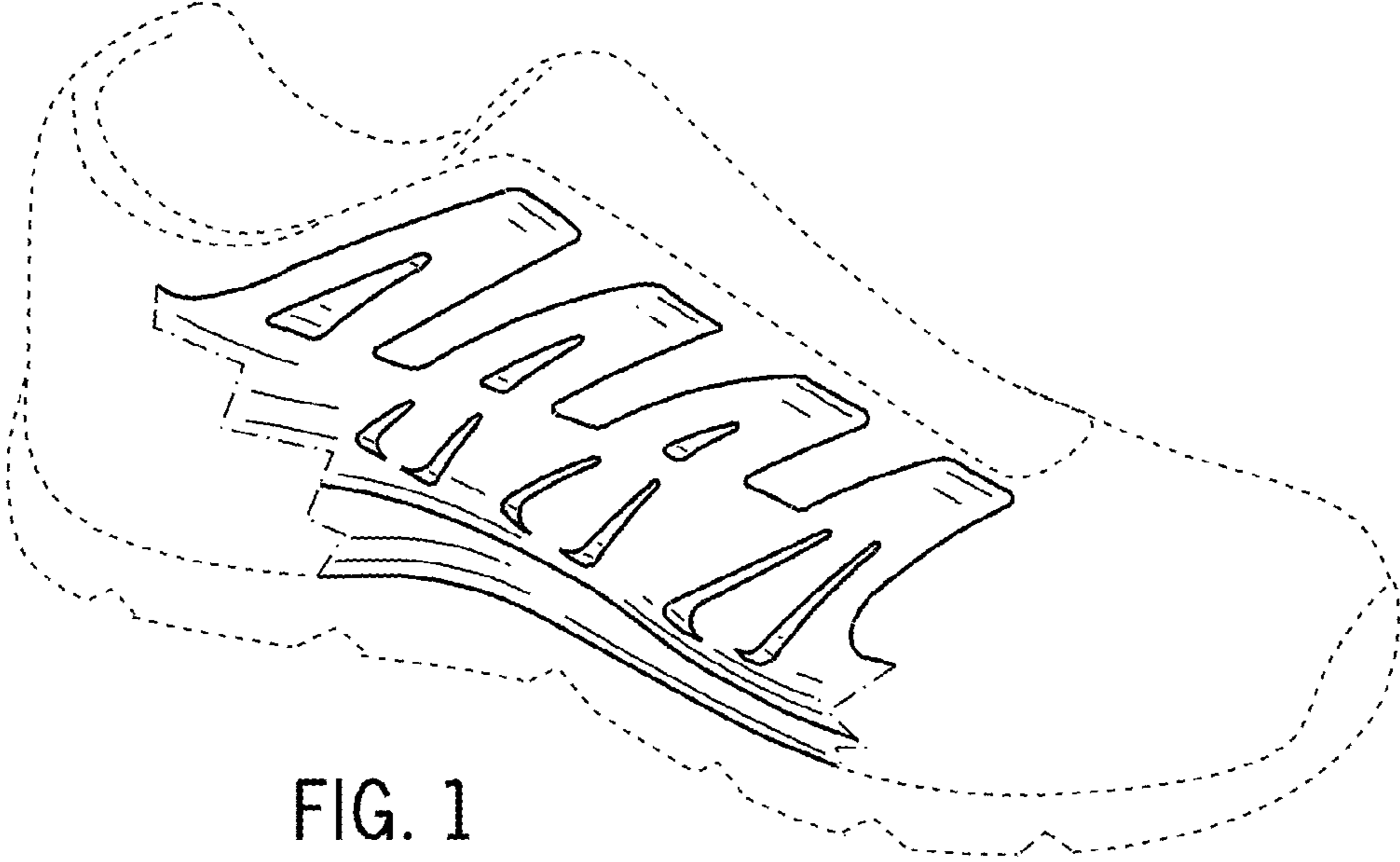


FIG. 1

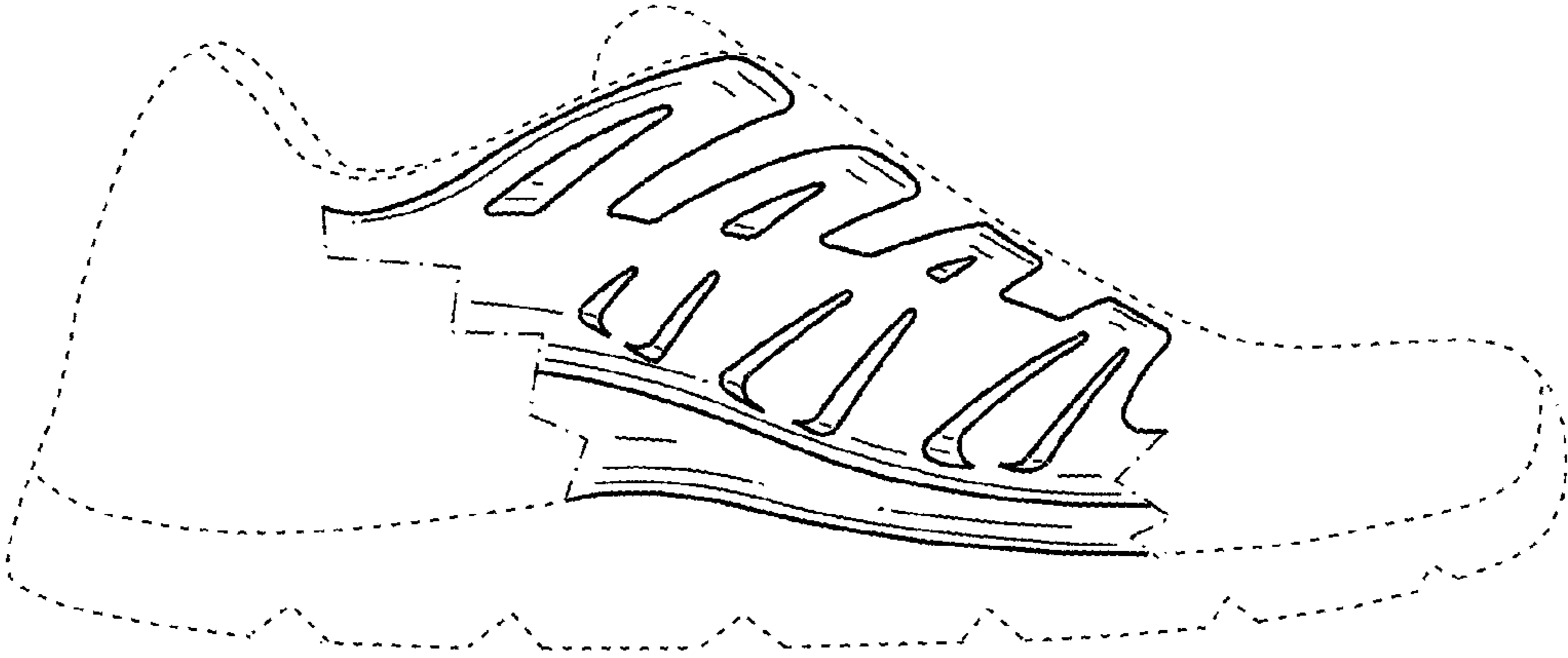


FIG. 2

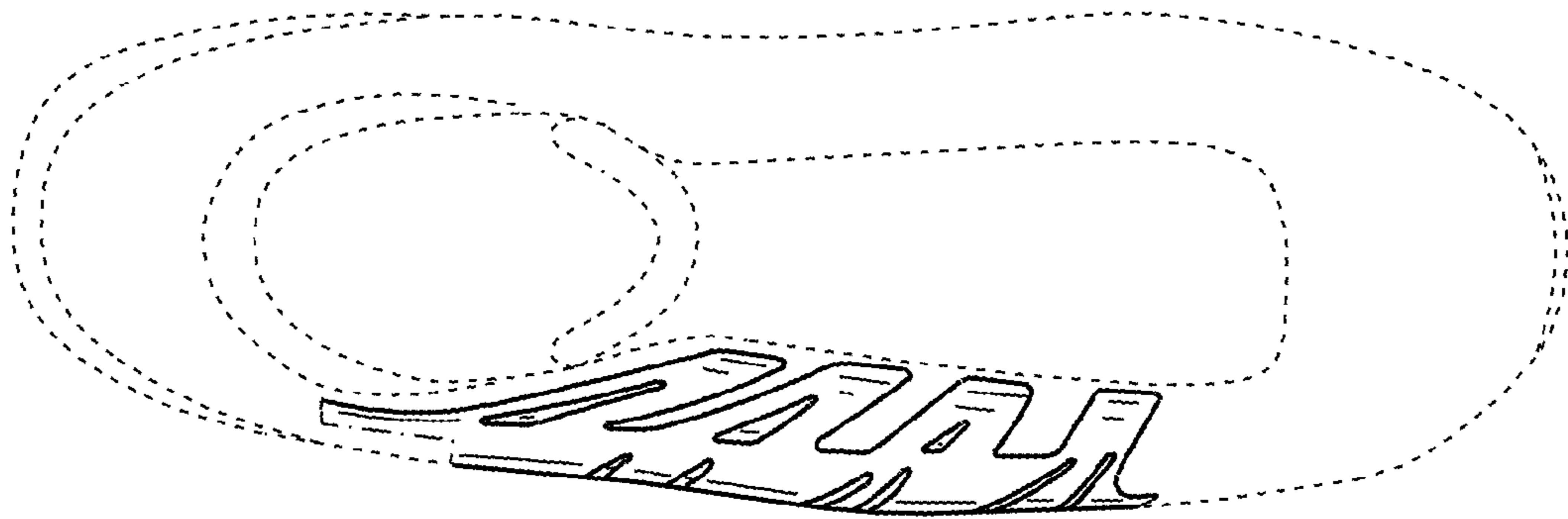


FIG. 3