



US00D742103S

(12) **United States Design Patent**
Slipak

(10) **Patent No.:** **US D742,103 S**

(45) **Date of Patent:** **** Nov. 3, 2015**

(54) **FLIP FLOP WITH TOE SEPARATORS**

(71) Applicant: **Laura Slipak**, Los Angeles, CA (US)

(72) Inventor: **Laura Slipak**, Los Angeles, CA (US)

(**) Term: **14 Years**

(21) Appl. No.: **29/464,750**

(22) Filed: **Aug. 20, 2013**

(51) **LOC (10) Cl.** **02-04**

(52) **U.S. Cl.**
USPC **D2/917**

(58) **Field of Classification Search**
USPC D02/896, 900, 916-918, 943, 946, 957,
D02/969; D28/56, 57, 99
CPC A43B 3/105; A43B 3/10; A43B 7/26;
A63B 21/00
See application file for complete search history.

(56) **References Cited**

U.S. PATENT DOCUMENTS

6,151,801	A	*	11/2000	Frederiksen et al.	36/11.5
D558,959	S	*	1/2008	Kalinsky	D2/916
D575,484	S	*	8/2008	Kalinsky	D2/917
D581,148	S	*	11/2008	Kalinsky	D2/969
D593,733	S	*	6/2009	Frederiksen et al.	D2/917
D646,870	S	*	10/2011	Patterson	D2/917
D652,636	S	*	1/2012	Kalinsky	
D659,955	S	*	5/2012	Dushey et al.	D2/916

D659,957	S		5/2012	Dushey et al.		
D660,561	S	*	5/2012	Dushey et al.	D2/916
D660,562	S		5/2012	Dushey et al.		
D693,100	S		11/2013	Dushey et al.		
D730,632	S		6/2015	Dushey et al.		

* cited by examiner

Primary Examiner — Ian Simmons

Assistant Examiner — Rashida C McCoy

(74) *Attorney, Agent, or Firm* — Cislo & Thomas, LLP

(57) **CLAIM**

The ornamental design for a flip flop with toe separators, as shown and described.

DESCRIPTION

FIG. 1 is a perspective view of my flip flop with toe separators;

FIG. 2 is a top view thereof;

FIG. 3 is a left side view thereof;

FIG. 4 is a right side view thereof;

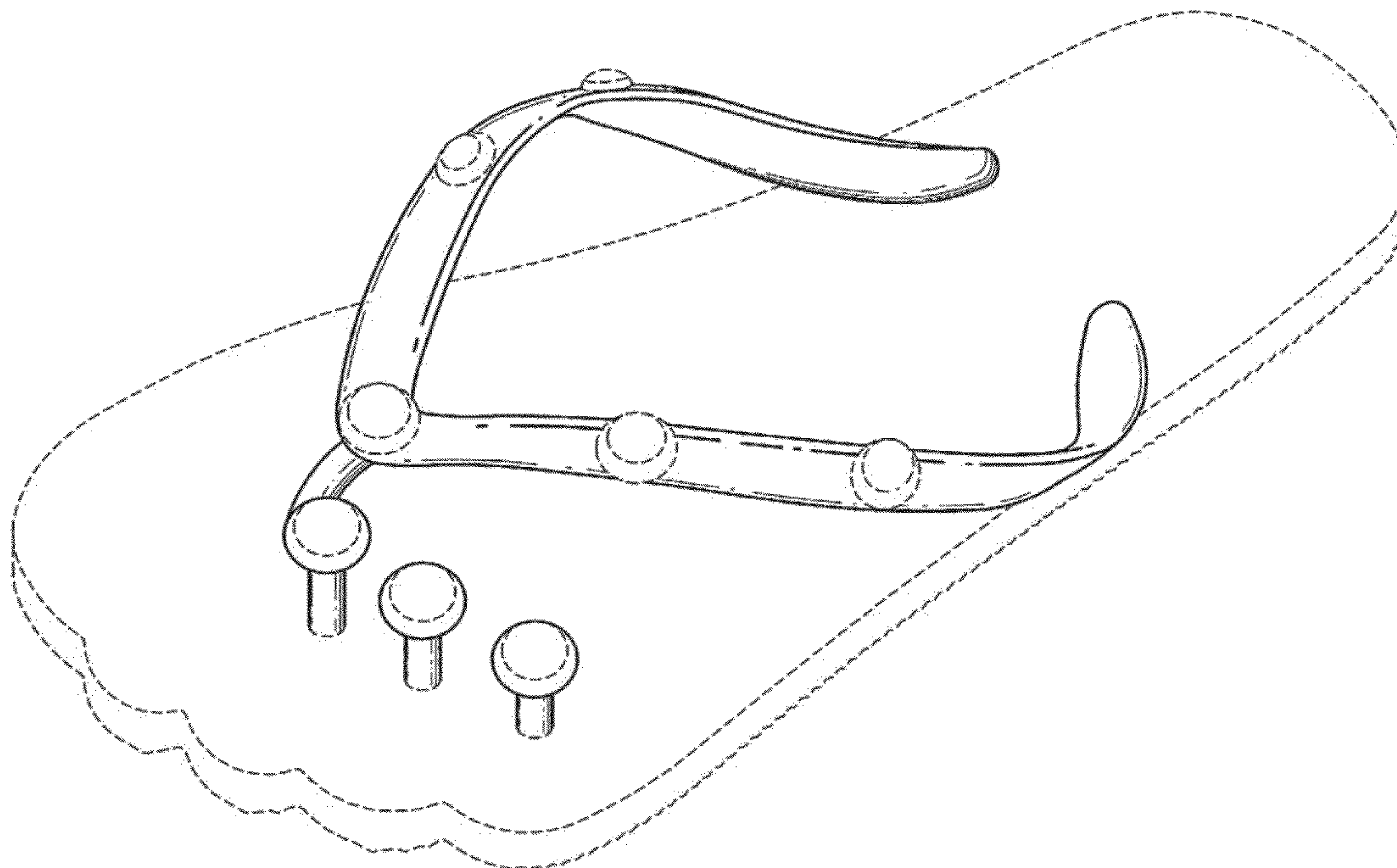
FIG. 5 is a front view thereof;

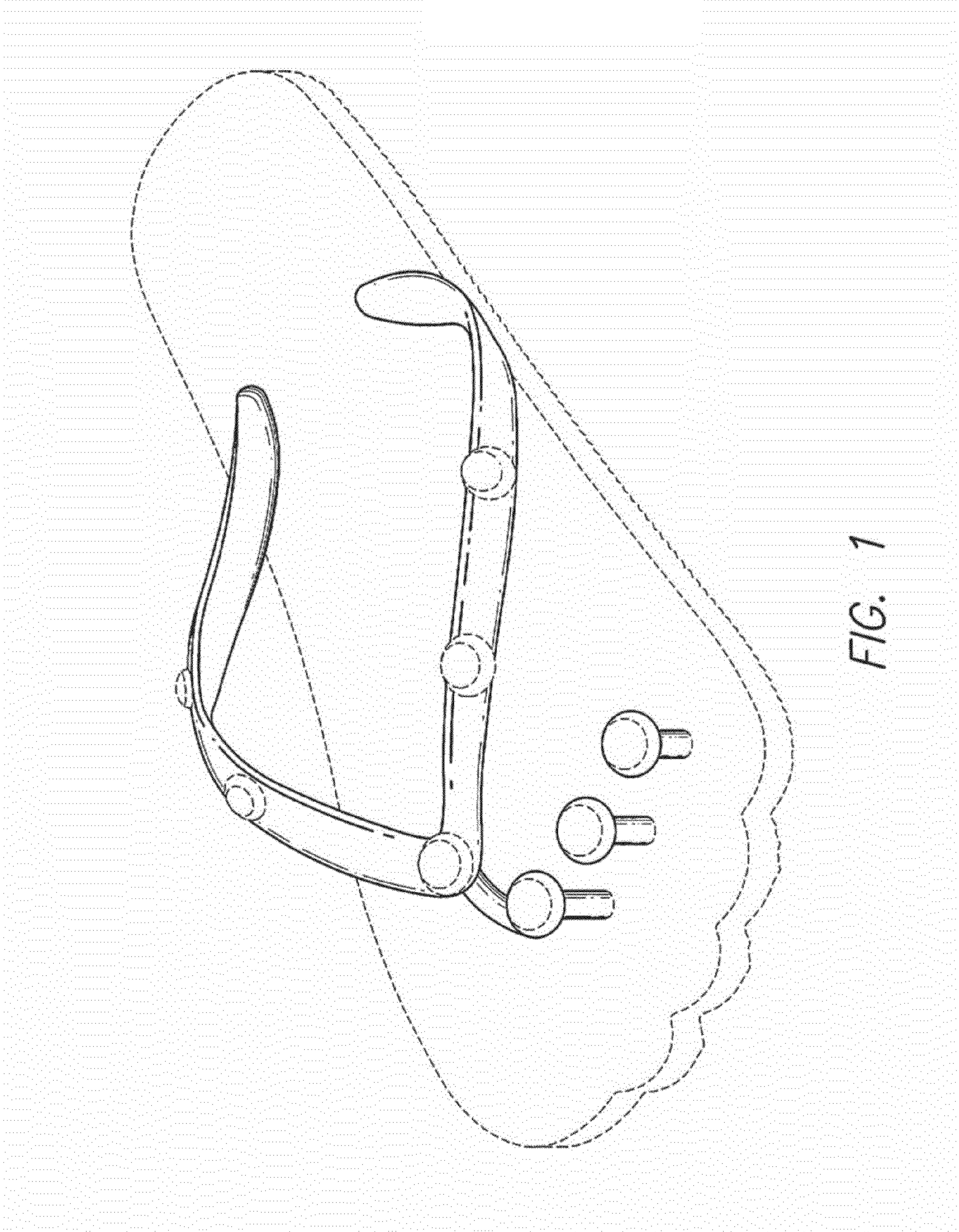
FIG. 6 is a rear view thereof; and,

FIG. 7 is a bottom view thereof.

The broken line portions of the disclosure are included for the purpose of illustrating environment and form no part of the claimed design.

1 Claim, 6 Drawing Sheets





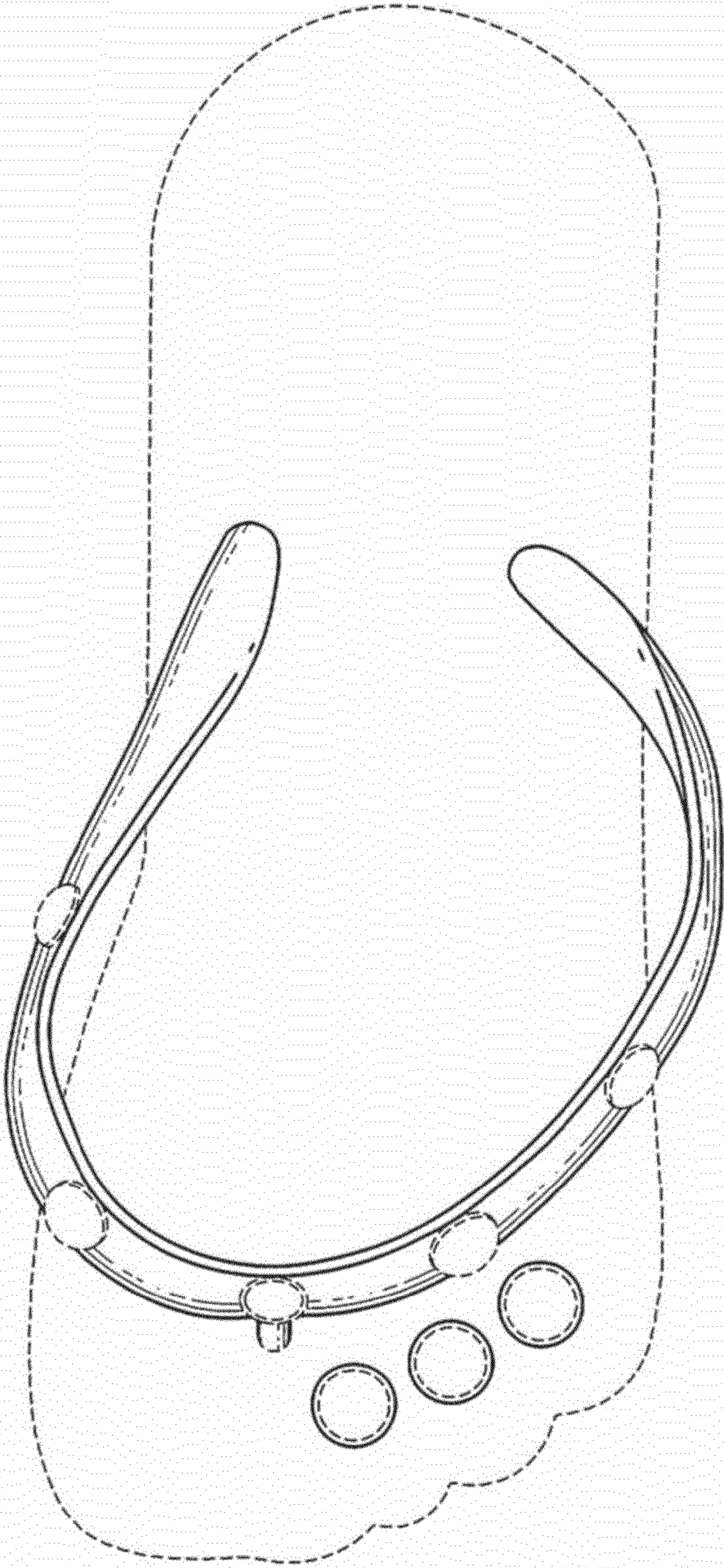


FIG. 2

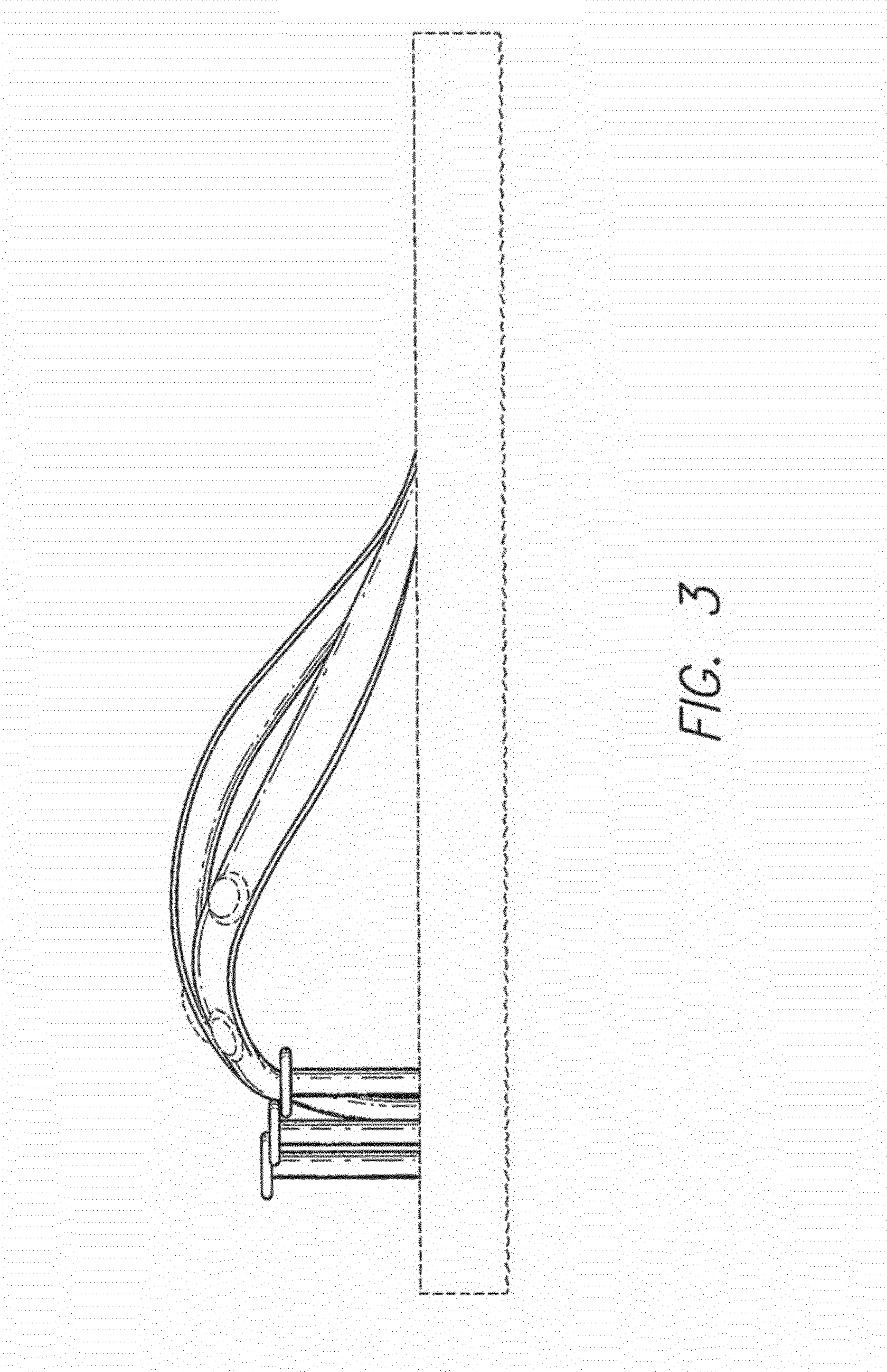


FIG. 3

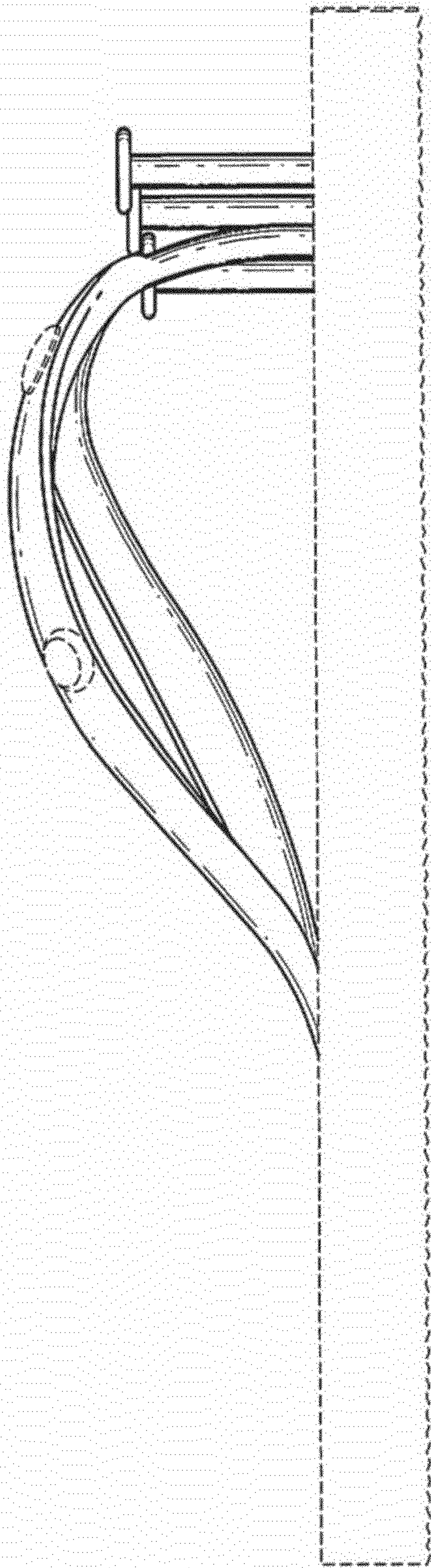


FIG. 4

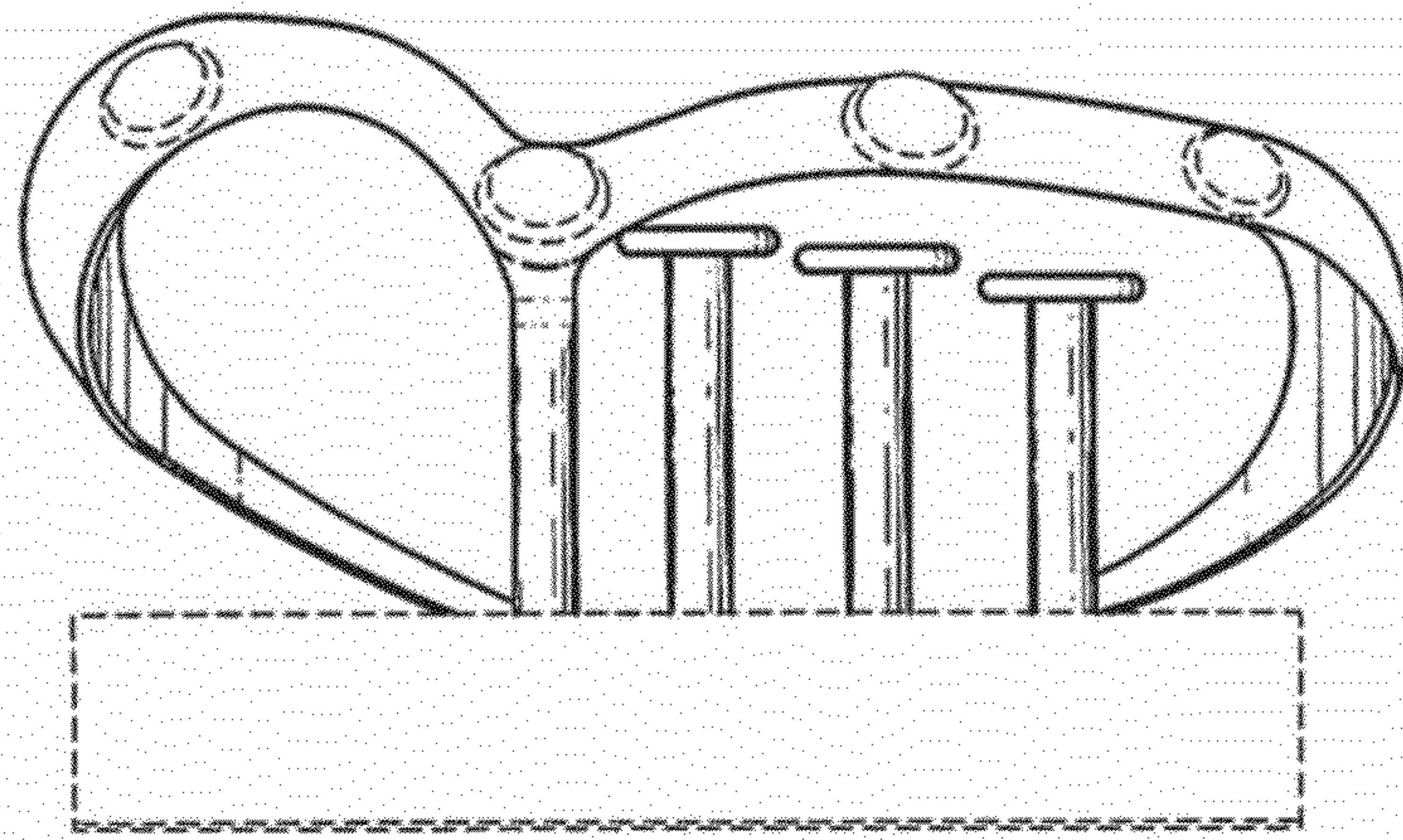


FIG. 5

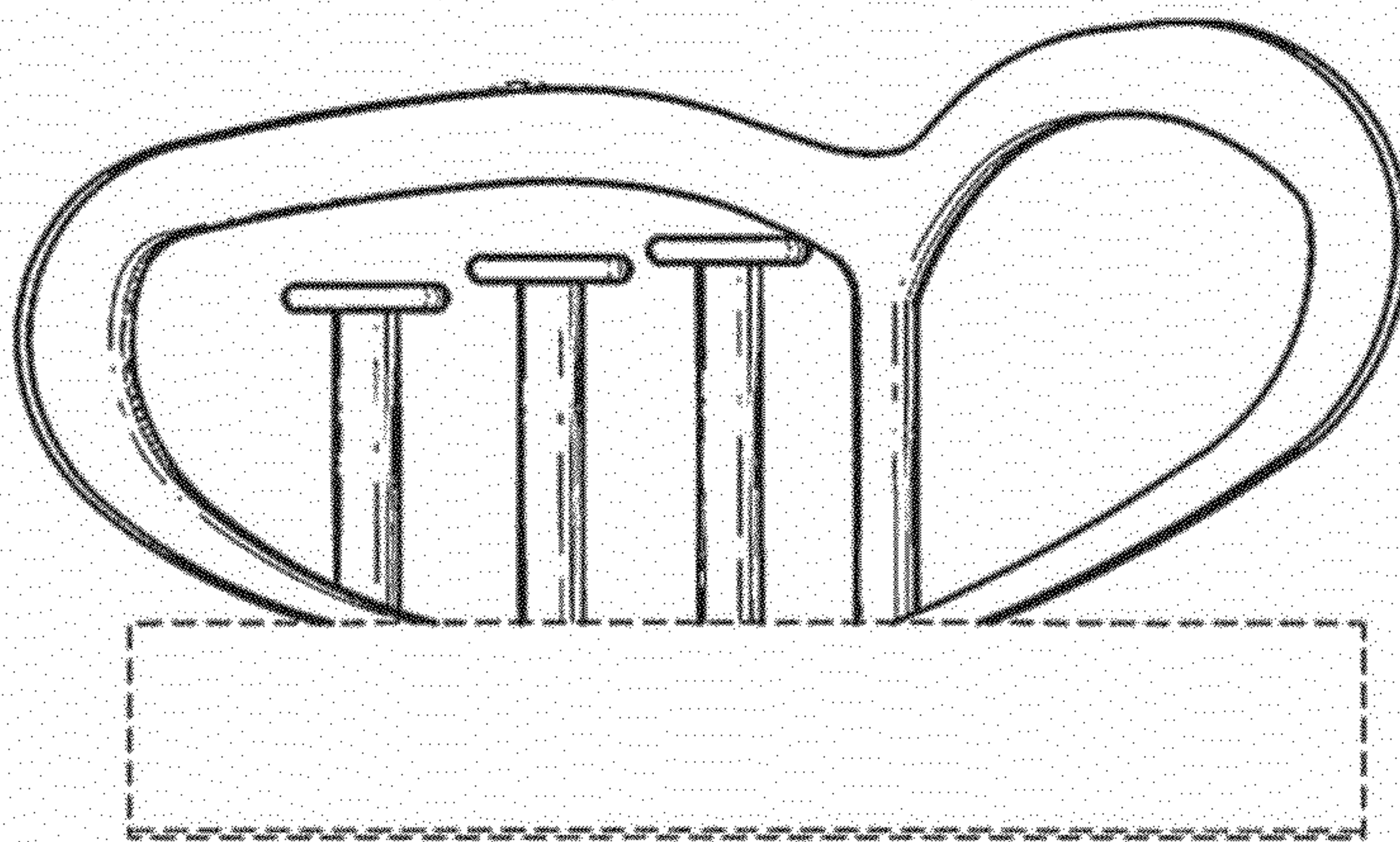


FIG. 6

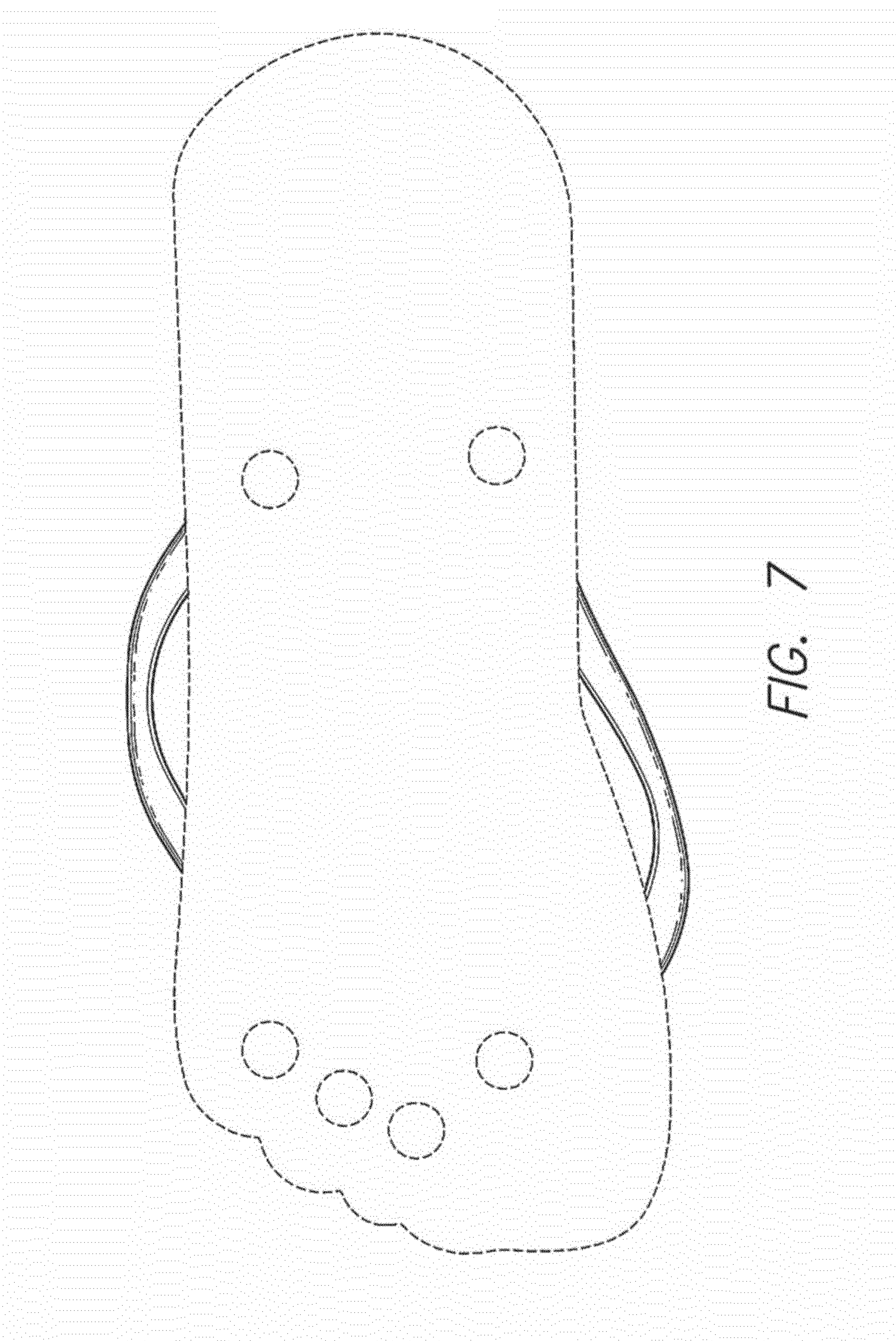


FIG. 7