



US00D742095S

(12) **United States Design Patent**  
**Savage**

(10) **Patent No.:** **US D742,095 S**

(45) **Date of Patent:** **\*\* Nov. 3, 2015**

(54) **SHORTS**

(71) Applicant: **lululemon athletica canada inc.,**  
Vancouver (CA)

(72) Inventor: **Shannon Savage,** Vancouver (CA)

(73) Assignee: **LULULEMON ATHLETICA**  
**CANADA INC.,** Vancouver (CA)

(\*\*) Term: **14 Years**

(21) Appl. No.: **29/486,547**

(22) Filed: **Mar. 31, 2014**

**Related U.S. Application Data**

(63) Continuation of application No. 29/403,971, filed on Oct. 13, 2011, now Pat. No. Des. 701,676.

(51) **LOC (10) Cl.** ..... **02-02**

(52) **U.S. Cl.**  
USPC ..... **D2/738**

(58) **Field of Classification Search**  
USPC ..... D2/731, 738, 742  
See application file for complete search history.

(56) **References Cited**

**U.S. PATENT DOCUMENTS**

2,446,326	A *	8/1948	Guithues	.....	2/238
3,945,051	A	3/1976	Burkard		
4,223,408	A	9/1980	Sullivan		
D266,540	S	10/1982	Nacinovich		
4,602,388	A	7/1986	Underwood et al.		
D311,632	S	10/1990	Beam		
5,704,071	A	1/1998	Barclay et al.		
D403,487	S	1/1999	Crupi et al.		
D467,055	S	12/2002	Lyden		
D532,958	S	12/2006	Kent		
D591,928	S	5/2009	Kirsch et al.		
D615,279	S	5/2010	Savage		
7,941,871	B1	5/2011	Jorgensen		
D654,661	S	2/2012	Savage		

D660,553 S 5/2012 Farina et al.  
D673,756 S 1/2013 Agnew et al.  
D688,032 S \* 8/2013 Harte et al. .... D2/742

(Continued)

**OTHER PUBLICATIONS**

Portland Running Company. <http://shop.portlandrunningcompany.com/moving-comfort-momentum-short-w/dp/51314>. Copyright 2013. "Moving Comfort Momentum Short".

(Continued)

*Primary Examiner* — Rashida Johnson

(74) *Attorney, Agent, or Firm* — McCarthy Tétrault LLP

(57) **CLAIM**

The ornamental design for shorts, as shown and described.

**DESCRIPTION**

FIG. 1 is a front view of shorts according to a first embodiment of the design;

FIG. 2 is a rear view thereof;

FIG. 3 is a right side view thereof;

FIG. 4 is a left side view thereof;

FIG. 5 is a front perspective view thereof;

FIG. 6 is a first cross-sectional view thereof, taken along line 6-6 in FIG. 3;

FIG. 7 is a second cross-sectional view thereof, taken along line 7-7 in FIG. 4;

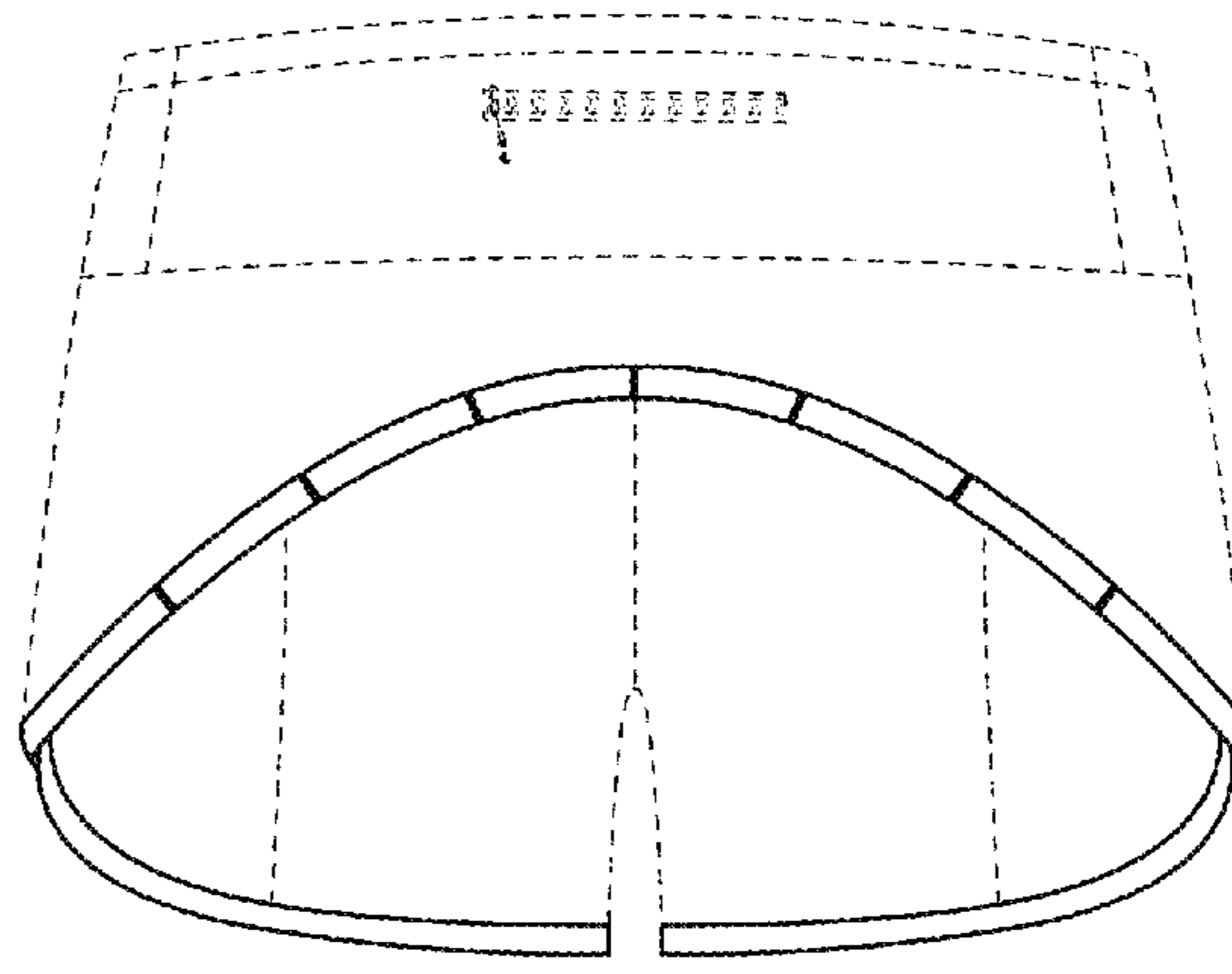
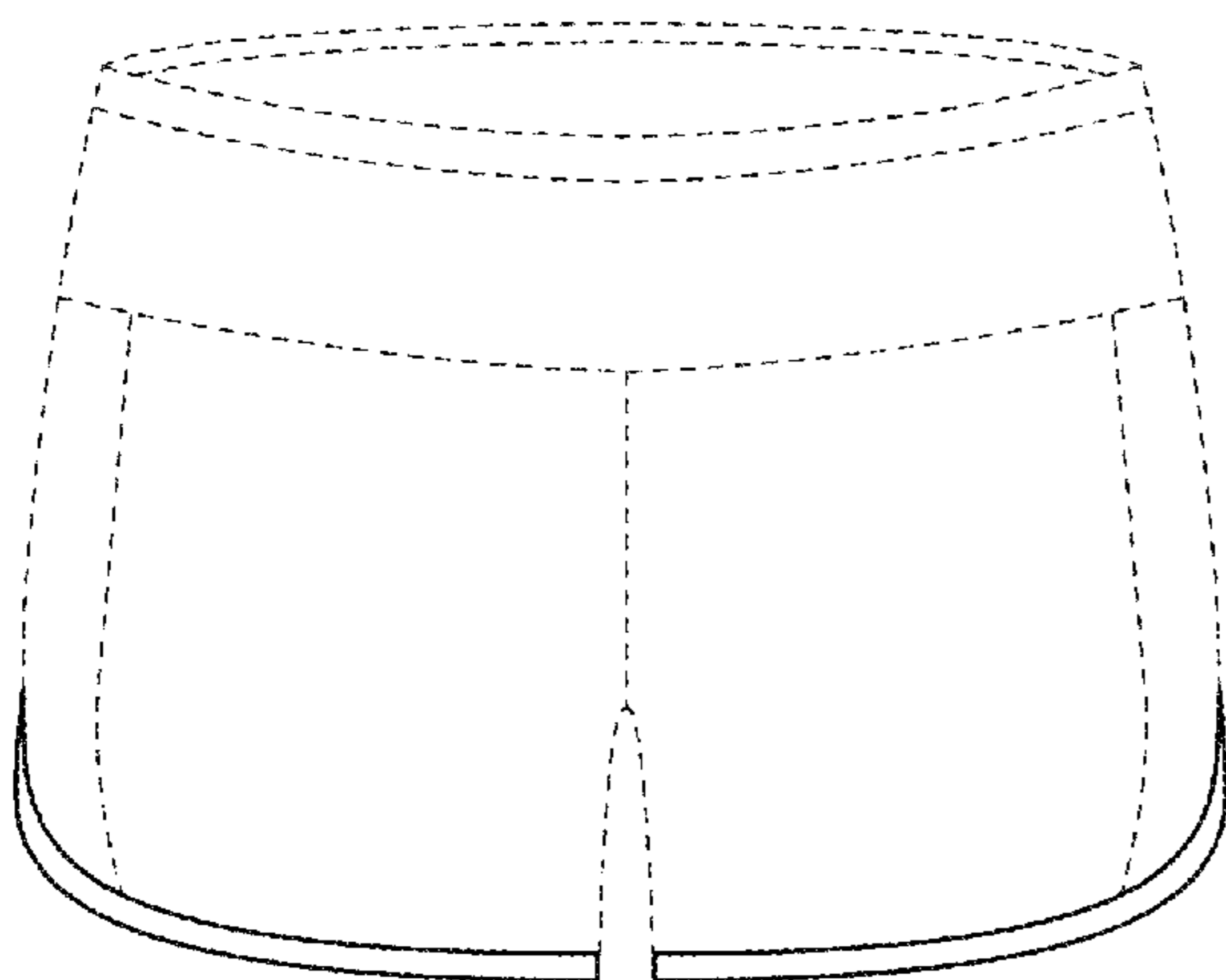
FIG. 8 is a top view thereof;

FIG. 9 is a rear view of shorts according to a second embodiment of the design, the front, left side, front perspective, first cross-sectional, second cross-sectional, and top views being the same as FIGS. 1 and 4-8, respectively; and,

FIG. 10 is a right side view thereof.

The symbol depicted in FIGS. 9-10 forming part of the claimed design is a registered trademark of lululemon athletica canada inc. The broken lines in FIGS. 1-10 illustrate portions of the shorts that form no part of the claimed design.

**1 Claim, 10 Drawing Sheets**



(56)

**References Cited**

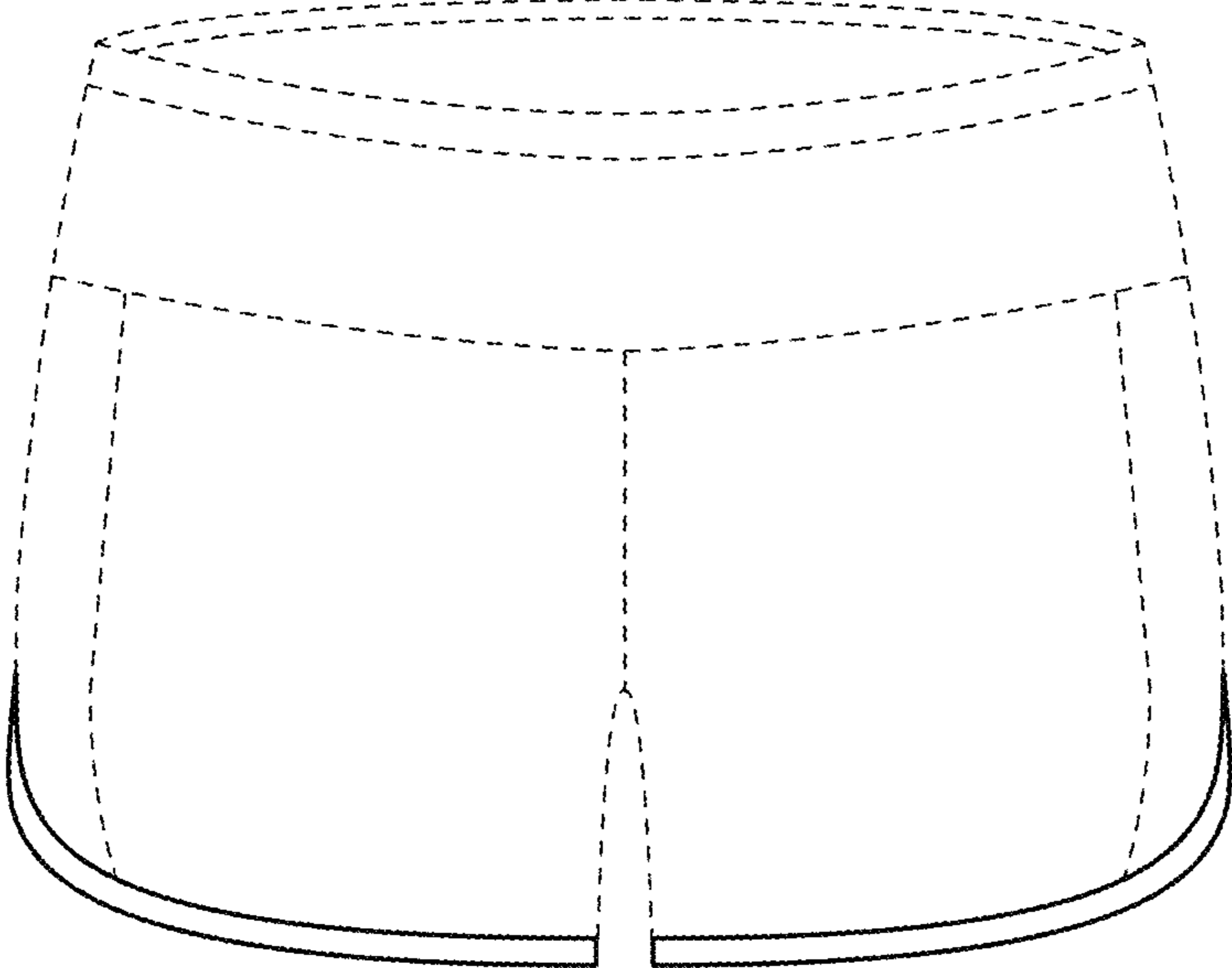
U.S. PATENT DOCUMENTS

D701,676 S \* 4/2014 Savage ..... D2/738  
D711,626 S \* 8/2014 Savage ..... D2/738  
D714,523 S \* 10/2014 Stinson et al. .... D2/738  
2006/0107443 A1 5/2006 DeRosa  
2012/0117714 A1 5/2012 Peck et al.

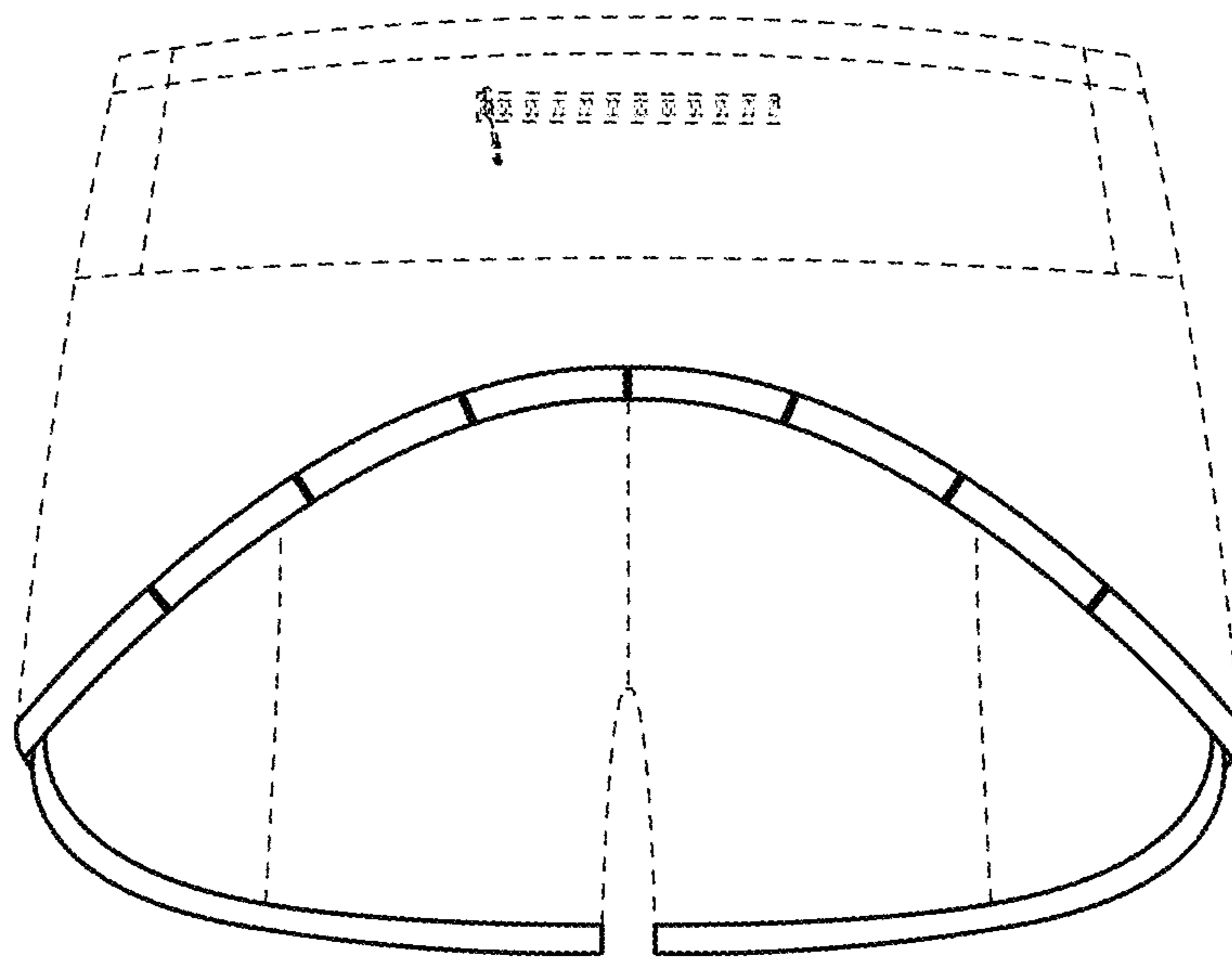
OTHER PUBLICATIONS

Indiegogo. WOD Gear Athletics. <http://www.indiegogo.com/projects/wod-gear-athletics-premium-fitness-apparel-made-in-the-u-s>. Copyright 2013. Women's Running Shorts.  
Janji. [http://runjanji.com/womens/running-shorts?product\\_id=130](http://runjanji.com/womens/running-shorts?product_id=130). Copyright 2013. "Women's Kenya Anna Shorts".

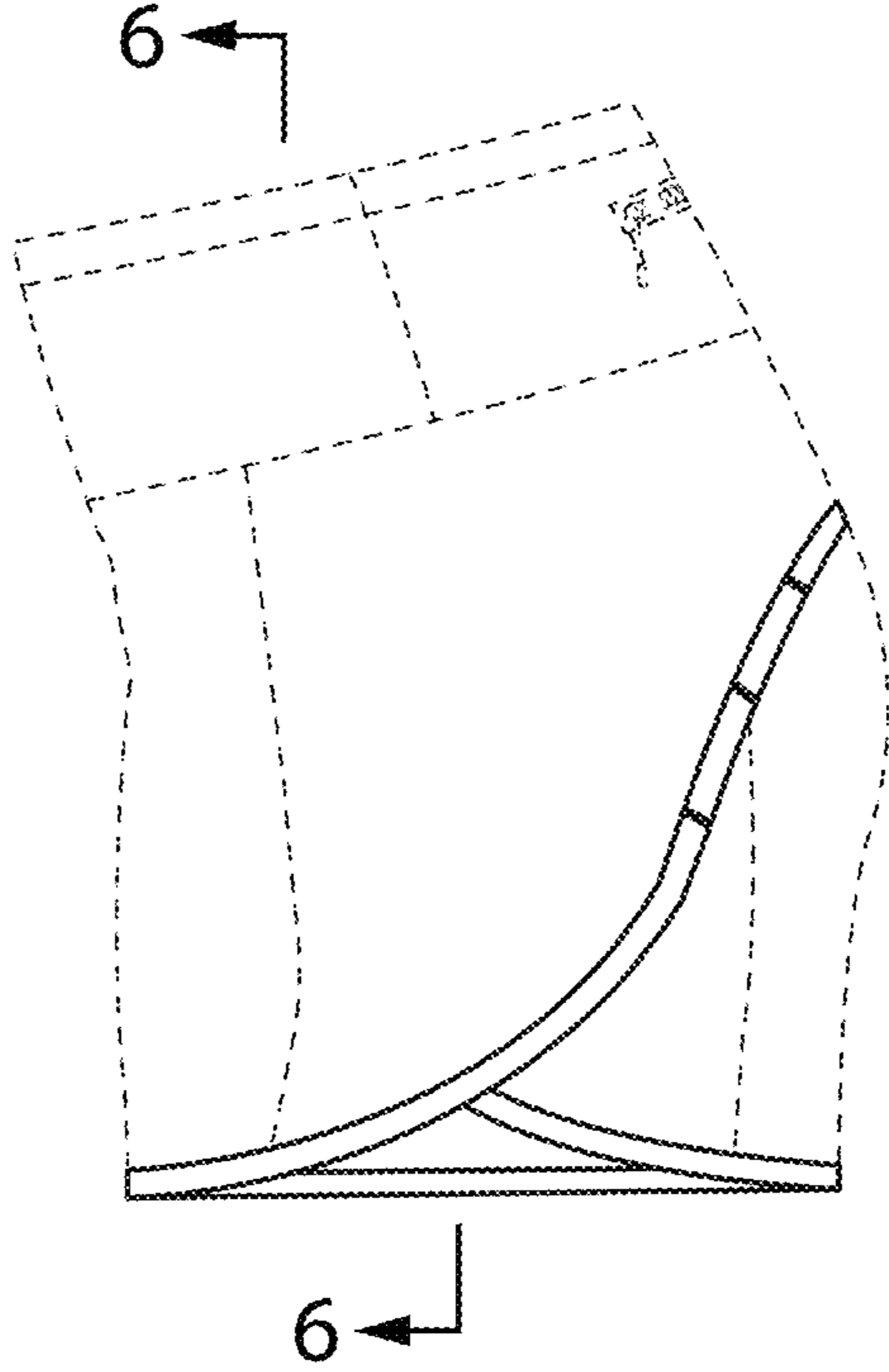
\* cited by examiner



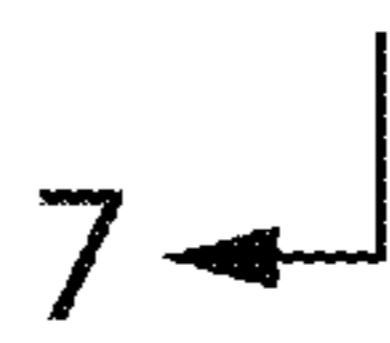
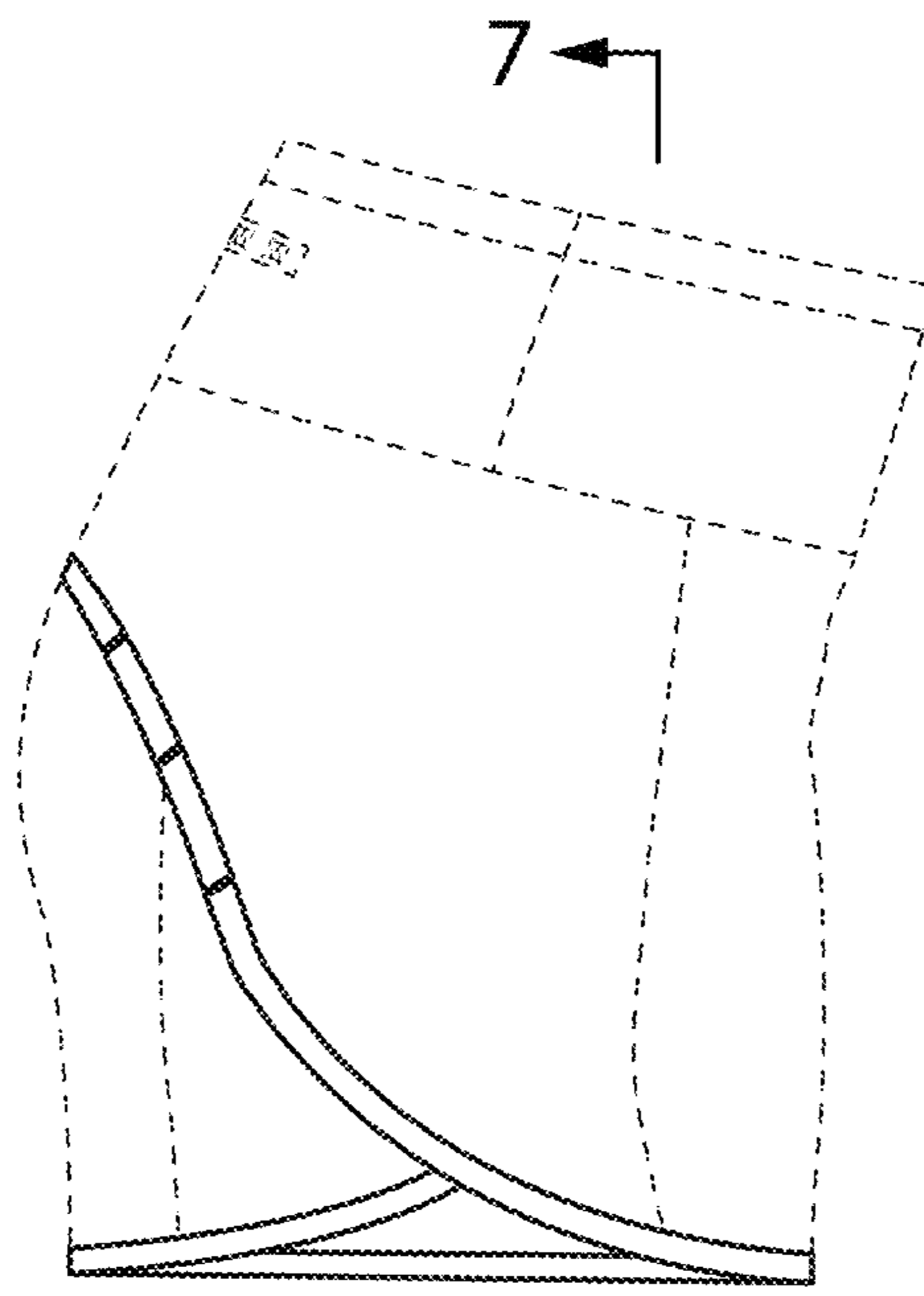
**FIG. 1**



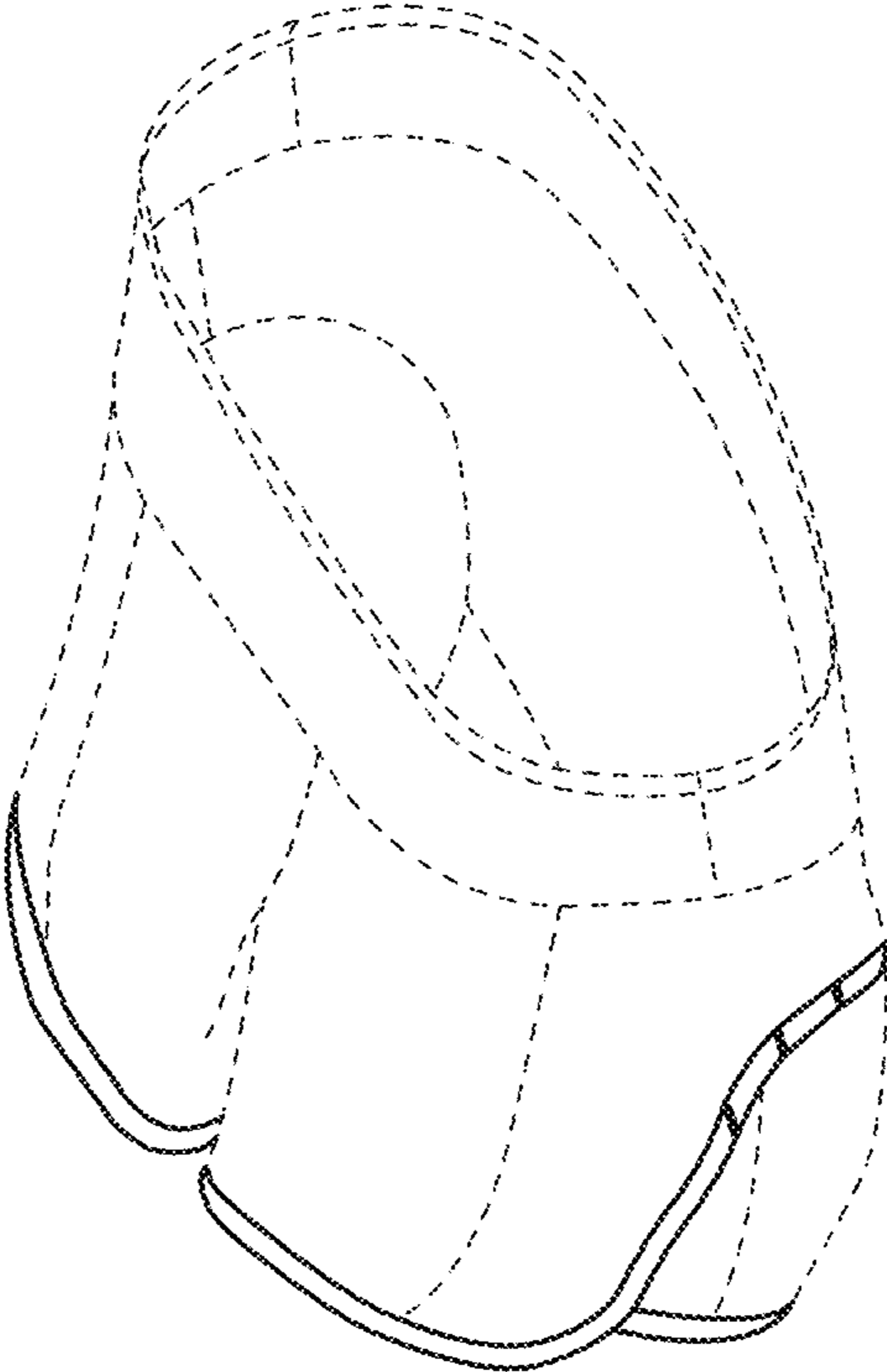
**FIG. 2**



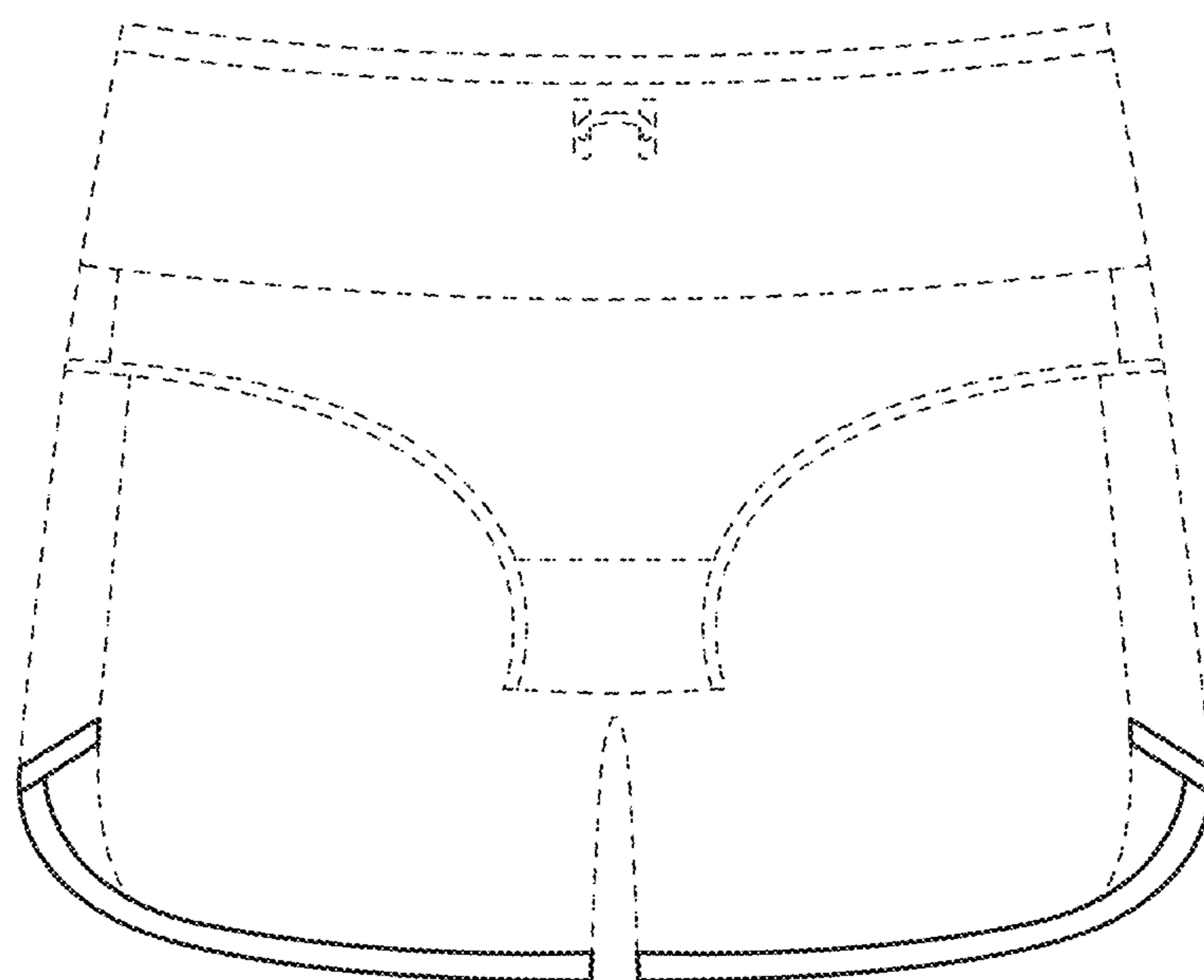
**FIG. 3**



**FIG. 4**

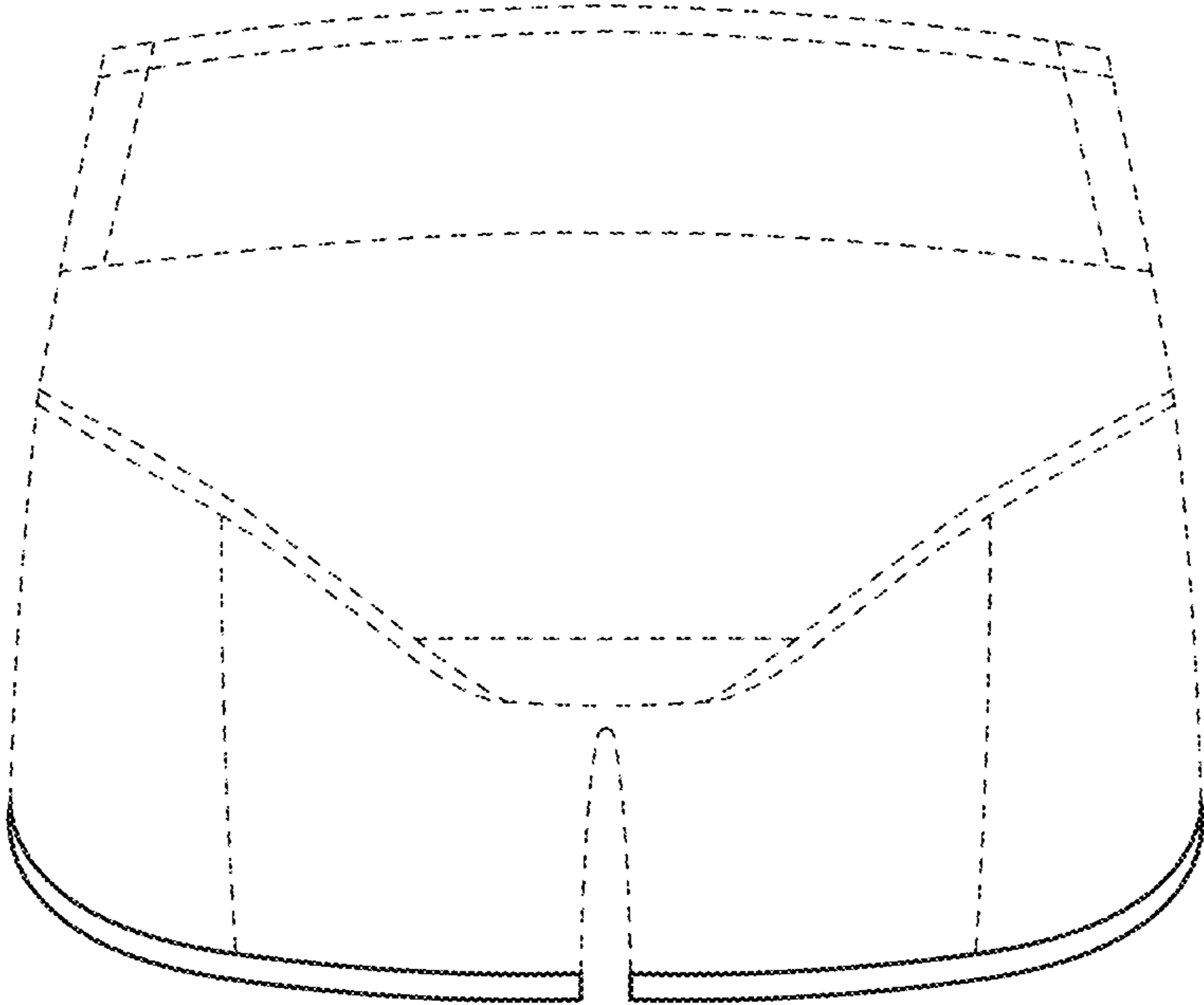


**FIG. 5**

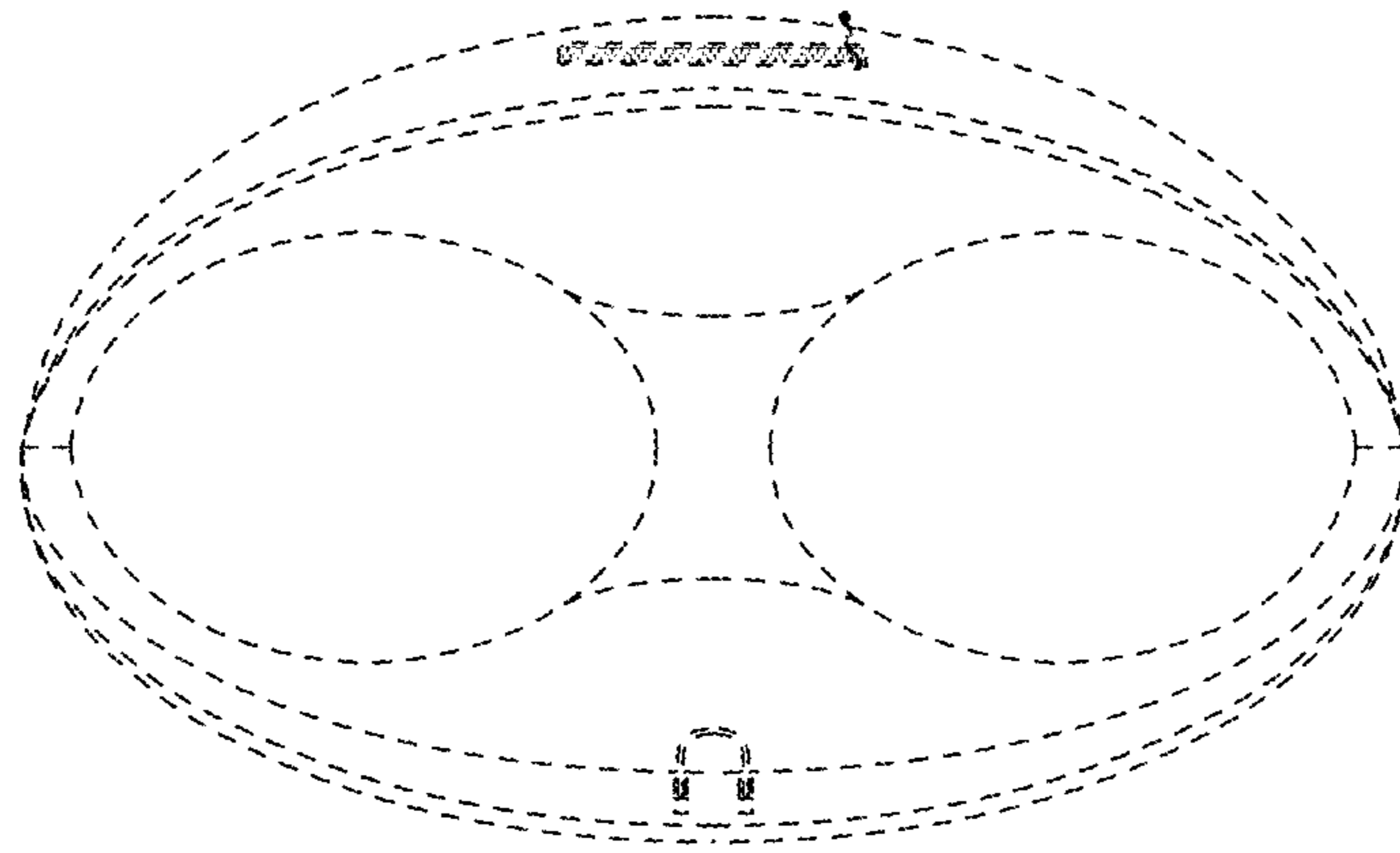


**FIG. 6**

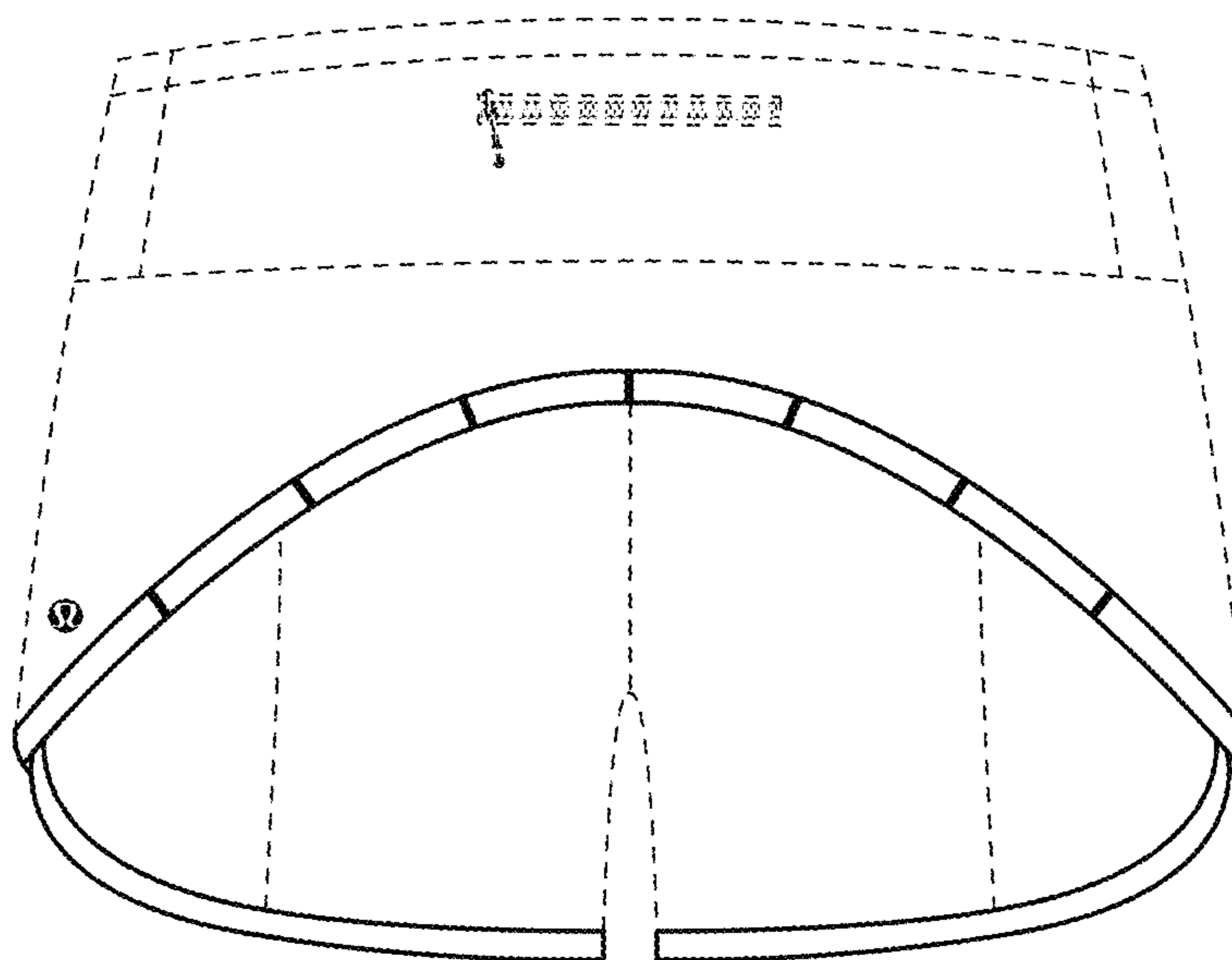




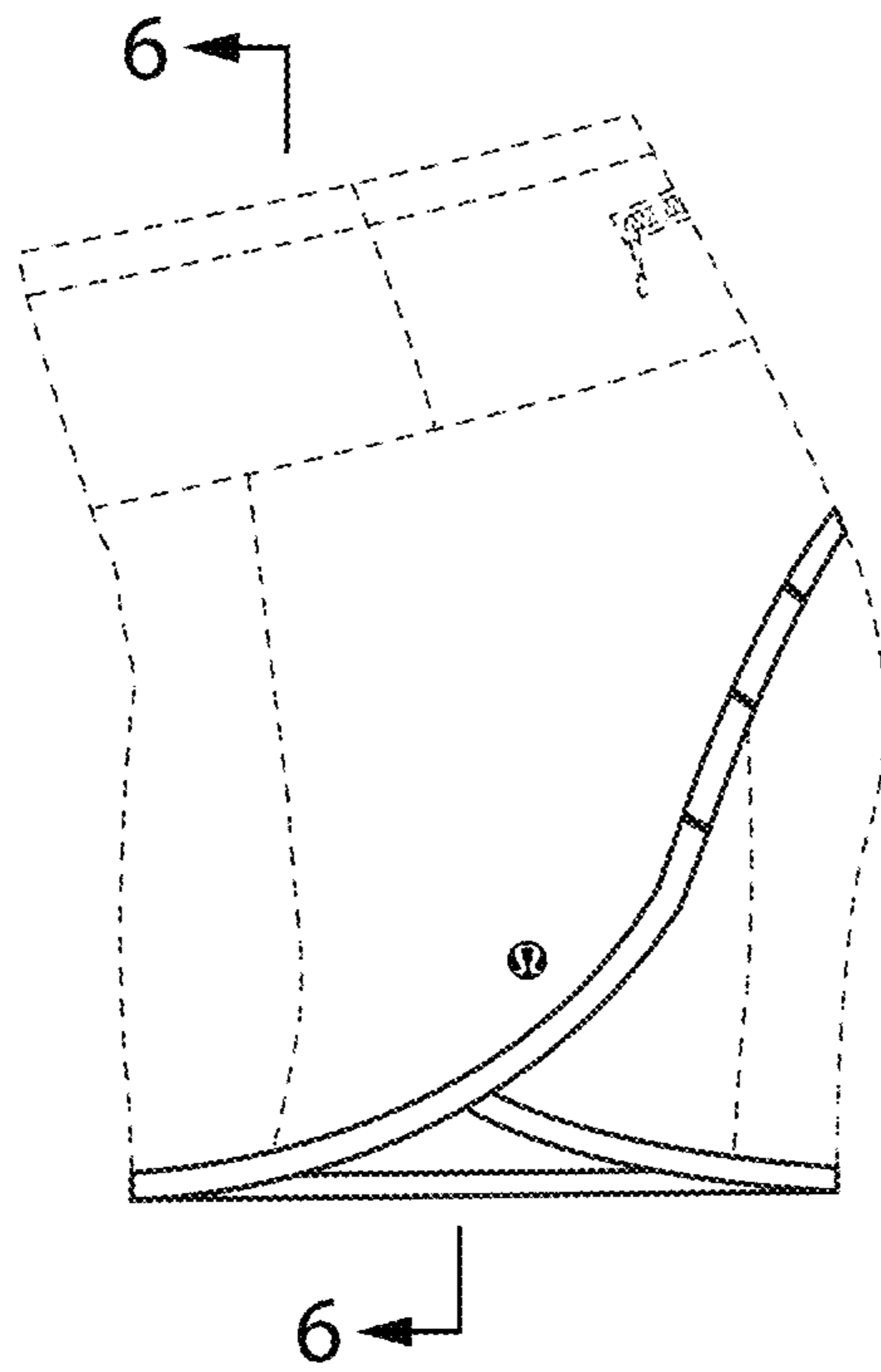
**FIG. 7**



**FIG. 8**



**FIG. 9**



**FIG. 10**