



US00D742092S

(12) **United States Design Patent**  
**Sekula et al.**

(10) **Patent No.:** **US D742,092 S**  
(45) **Date of Patent:** **\*\* Nov. 3, 2015**

- (54) **BODY-HUGGING BELT**
- (71) Applicant: **Airpressure Bodyforming GmbH**,  
Berchtesgaden (DE)
- (72) Inventors: **Oliver Sekula**, Berchtesgaden (DE);  
**Hubert Greinwalder**, München (DE);  
**Gert Rechenmacher**, Kapfenberg (AT)
- (73) Assignee: **Airpressure Bodyforming GmbH**,  
Berchtesgaden (DE)
- (\*\*) Term: **14 Years**
- (21) Appl. No.: **29/462,240**
- (22) Filed: **Jul. 31, 2013**

(30) **Foreign Application Priority Data**

Jan. 31, 2013 (EM) ..... 002176305-0007

(51) **LOC (10) Cl.** ..... **02-07**

(52) **U.S. Cl.**  
USPC ..... **D2/627**

(58) **Field of Classification Search**  
USPC ..... D2/625, 627, 631-632, 634-638;  
D24/190-191, 200, 206; D29/100;  
D21/662, 683; 2/200, 311-312, 319,  
2/322; 128/876; 600/594-595; 602/19  
CPC ..... A41F 9/00; A41F 9/002; A41F 9/005;  
A41F 5/00; A41F 5/02; A45F 5/00; A45F  
5/022; A45F 5/02; A45F 5/021; A61F 5/028  
See application file for complete search history.

(56) **References Cited**

**U.S. PATENT DOCUMENTS**

3,164,151 A \* 1/1965 Vere ..... A61F 5/012  
128/DIG. 23

D270,652 S \* 9/1983 Winston ..... D2/637  
4,871,998 A \* 10/1989 Chaillou ..... A63B 23/0244  
200/61.52  
5,275,581 A \* 1/1994 Bender ..... A61F 5/055  
128/DIG. 23  
5,522,401 A \* 6/1996 Brucker ..... A63B 23/0244  
482/148  
D403,422 S \* 12/1998 Affholter ..... D24/188  
D404,490 S \* 1/1999 Tripolsky ..... D24/190  
5,857,984 A \* 1/1999 deBoer et al. .... A63B 23/0244  
340/573.1  
D418,948 S \* 1/2000 London ..... D24/190  
D467,006 S \* 12/2002 Knight ..... D24/206  
D498,036 S \* 11/2004 Newman ..... D2/627  
D507,692 S \* 7/2005 Newman ..... D2/627  
D554,761 S \* 11/2007 Marin ..... D24/206  
D595,858 S \* 7/2009 Kazel ..... D24/186

\* cited by examiner

*Primary Examiner* — John Windmuller

*Assistant Examiner* — Steven Czyz

(74) *Attorney, Agent, or Firm* — Thomas B. Ryan; Harter  
Secret & Emery LLP

(57) **CLAIM**

The design for a body-hugging belt, as shown and described  
herein.

**DESCRIPTION**

FIG. 1 is a front perspective view of a body-hugging belt  
showing our new design.

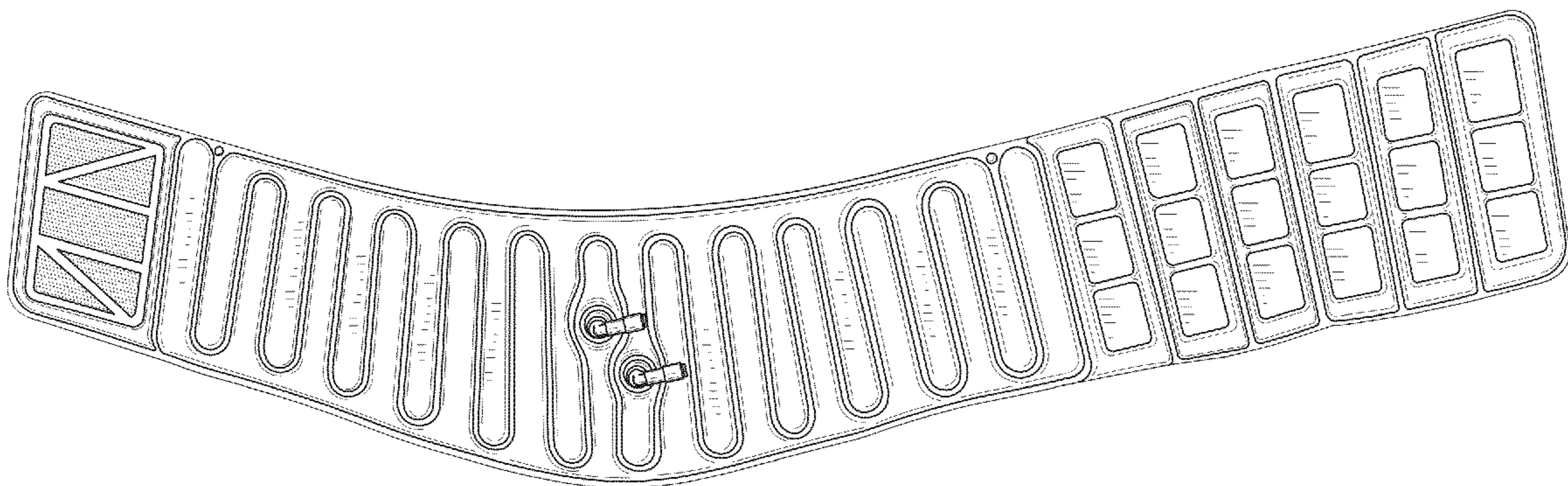
FIG. 2 is a top plan view thereof.

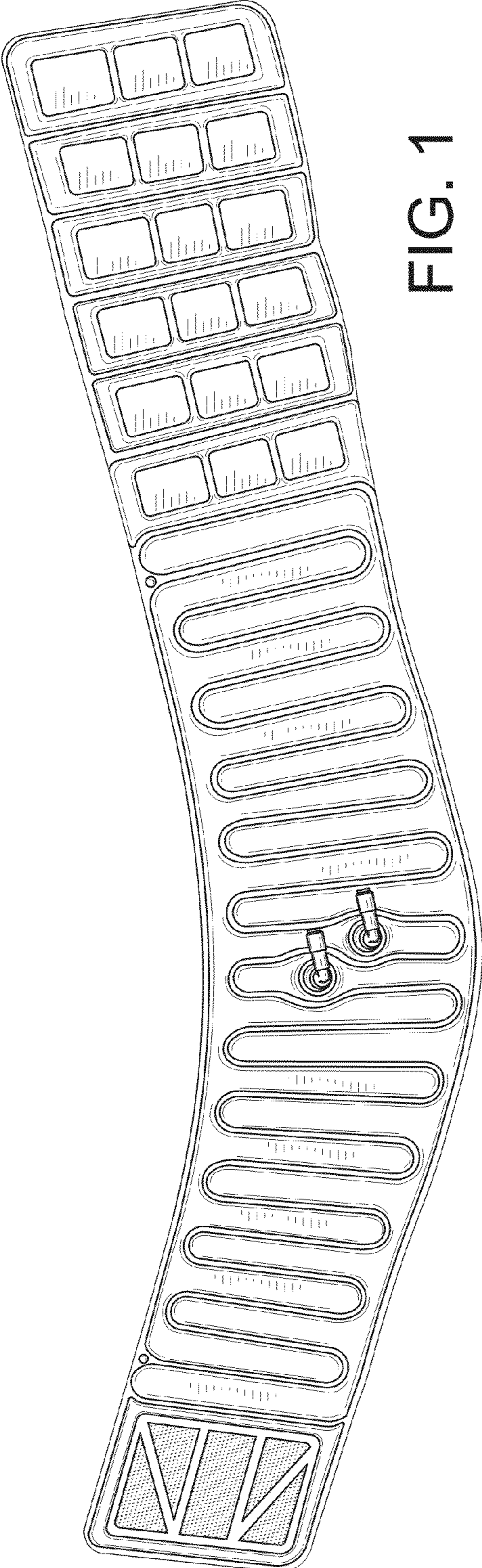
FIG. 3 is a bottom plan view thereof; and,

FIG. 4 is a rear perspective view of the body-hugging belt.

The broken lines included in FIGS. 1-4 illustrate portions of  
the body-hugging belt that form no part of the claimed design.

**1 Claim, 2 Drawing Sheets**





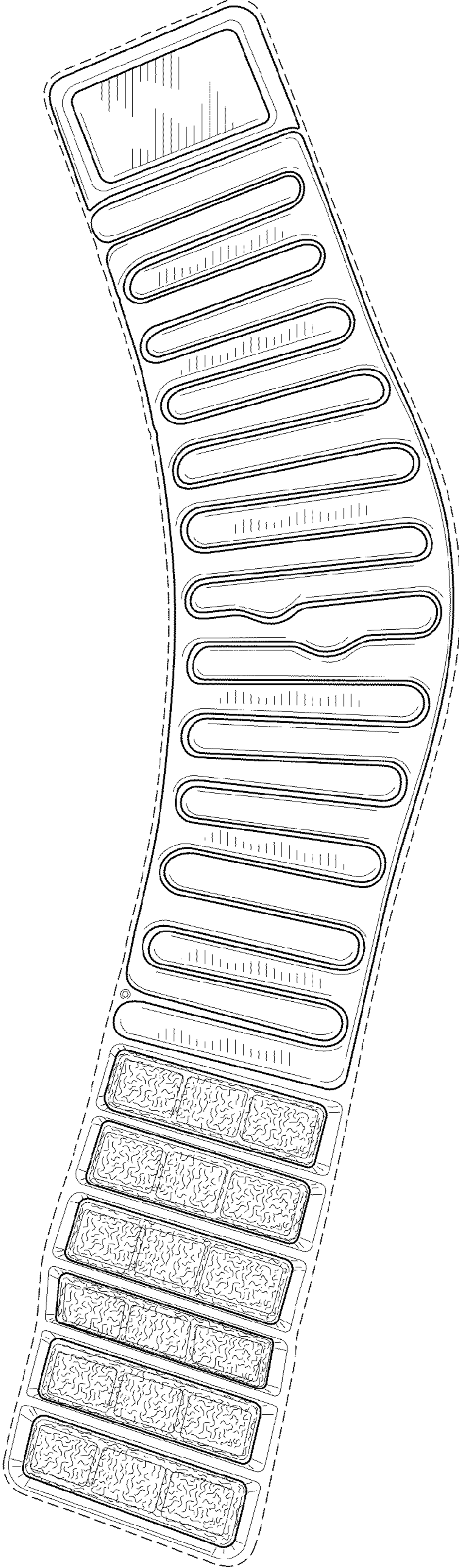


FIG. 4