



US00D742089S

(12) **United States Design Patent**
Niedzwecki et al.

(10) **Patent No.:** **US D742,089 S**
(45) **Date of Patent:** **** Oct. 27, 2015**

- (54) **CADDY**
- (71) Applicant: **Euro-Pro Operating LLC**, Newton, MA (US)
- (72) Inventors: **Scott Niedzwecki**, East Walpole, MA (US); **Will Liberis**, Somerville, MA (US); **Nancy Gao**, Suzhou Jiangsu (CN)
- (73) Assignee: **Euro-Pro Operations LLC**, Newton, MA (US)

5,584,095 A	12/1996	Redding et al.	
5,794,305 A	8/1998	Weger	
6,055,703 A	5/2000	Redding et al.	
D431,335 S	9/2000	Mehaffey et al.	
D438,682 S *	3/2001	Furuta et al.	D34/15
6,732,823 B2 *	5/2004	Furuta	180/19.2
D510,465 S	10/2005	Takahashi et al.	
D543,325 S	5/2007	Burnham	
D565,266 S	3/2008	Crevling et al.	
7,384,051 B1 *	6/2008	Haire	280/47.34
D573,759 S	7/2008	Konno et al.	
D573,771 S *	7/2008	Ball et al.	D34/15
D580,116 S	11/2008	Santiago et al.	

(Continued)

(**) Term: **14 Years**

(21) Appl. No.: **29/495,108**

(22) Filed: **Jun. 27, 2014**

(51) **LOC (10) Cl.** **12-02**

(52) **U.S. Cl.**
USPC **D34/23**

(58) **Field of Classification Search**
USPC D34/12-27; 280/47.34, 79.11, 79.5, 280/47.37, 54.1
CPC B62B 2202/028; B62B 2202/50; B62B 2202/023; B62B 2202/025; B62B 1/14; B62B 1/00; B62B 1/12; B62B 1/266; B62B 1/10; B62B 1/204; B62B 1/264; B62B 3/00; B62B 3/104; B62B 3/106; B62B 3/10
See application file for complete search history.

(56) **References Cited**

U.S. PATENT DOCUMENTS

D315,043 S	2/1991	Hayden	
D333,023 S	2/1993	Herron	
D334,447 S	3/1993	Rohn	
5,224,237 A	7/1993	Ambrosiano	
D356,198 S *	3/1995	Litin	D34/24

FOREIGN PATENT DOCUMENTS

CA	2697025 A1	2/2004
CA	2495053	10/2010

(Continued)

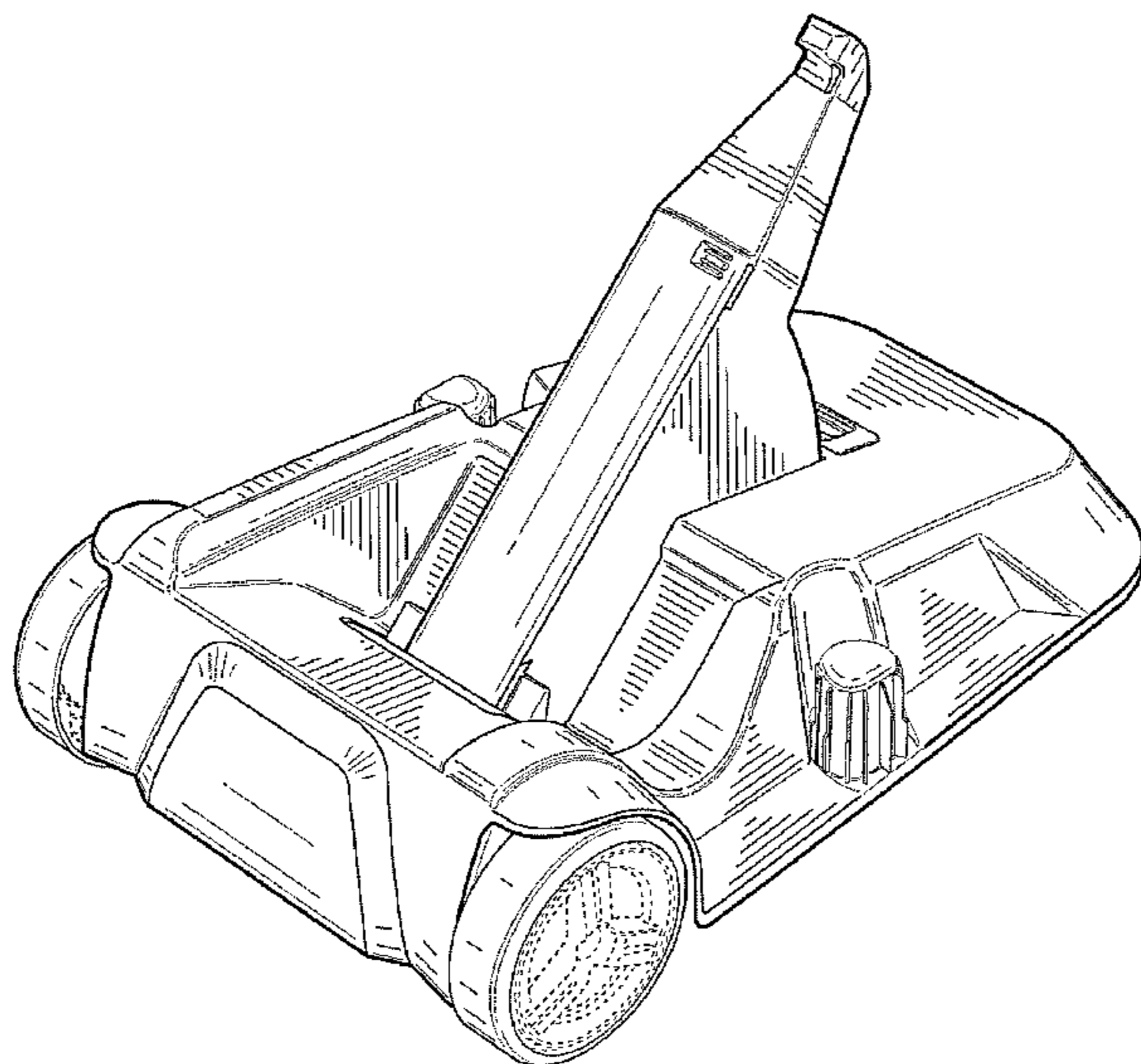
Primary Examiner — Cynthia Ramirez
(74) *Attorney, Agent, or Firm* — Yang IPCo, PLLC

(57) **CLAIM**
The ornamental design for a caddy, as shown and described.

DESCRIPTION

FIG. 1 is a perspective view of the caddy of this invention; FIG. 2 is a view of the left side of the caddy of this invention; FIG. 3 is a view of the right side of the caddy of this invention; FIG. 4 is a front view of the caddy of this invention; FIG. 5 is a rear view of the caddy of this invention; FIG. 6 is a top view of the caddy of this invention; and, FIG. 7 is a bottom view of the caddy of this invention. The broken lines shown in FIG. 7 are included for the purpose of illustrating portions of the caddy and form no part of the claimed design.

1 Claim, 7 Drawing Sheets



(56)

References Cited

U.S. PATENT DOCUMENTS

7,464,943 B1 * 12/2008 Poggioli et al. 280/9
 D587,870 S 3/2009 Baek et al.
 7,503,098 B2 3/2009 Stein
 D596,365 S * 7/2009 Reimers et al. D34/15
 7,581,284 B2 9/2009 Courtney
 7,581,285 B2 9/2009 Courtney
 7,600,292 B2 10/2009 Courtney
 7,610,653 B2 11/2009 Courtney
 D608,064 S 1/2010 Conrad et al.
 D611,210 S 3/2010 Conrad et al.
 7,757,343 B2 7/2010 Courtney
 7,805,804 B2 10/2010 Loebig
 7,823,251 B2 11/2010 Dyson et al.
 7,854,039 B2 12/2010 Lee et al.
 D633,264 S 2/2011 Lee
 D641,114 S 7/2011 Choi et al.
 D642,755 S 8/2011 Fjellman
 D644,385 S 8/2011 Hare et al.
 8,032,983 B2 10/2011 Griffith et al.
 D662,271 S 6/2012 Conrad et al.
 D662,272 S 6/2012 Conrad et al.

D670,056 S 10/2012 Ventress et al.
 D680,288 S 4/2013 Bilger et al.
 D684,326 S 6/2013 Okabe et al.
 D685,961 S 7/2013 Bilger et al.
 D686,377 S 7/2013 Thorne
 D693,975 S 11/2013 Santiago et al.
 D695,980 S 12/2013 Thorne
 8,616,564 B2 * 12/2013 Takehara et al. 280/79.11
 D704,410 S * 5/2014 Reimers et al. D34/15
 2009/0056058 A1 3/2009 Finke et al.
 2009/0056059 A1 3/2009 Mersmann et al.
 2009/0056061 A1 3/2009 Andrup et al.
 2011/0107553 A1 5/2011 Myers
 2011/0219581 A1 9/2011 Vines et al.
 2014/0237754 A1 8/2014 Conrad
 2014/0237762 A1 8/2014 Conrad
 2014/0259519 A1 9/2014 Conrad et al.

FOREIGN PATENT DOCUMENTS

CA 2495066 5/2011
 CA 2495073 5/2011
 CA 2718836 A1 5/2011

* cited by examiner

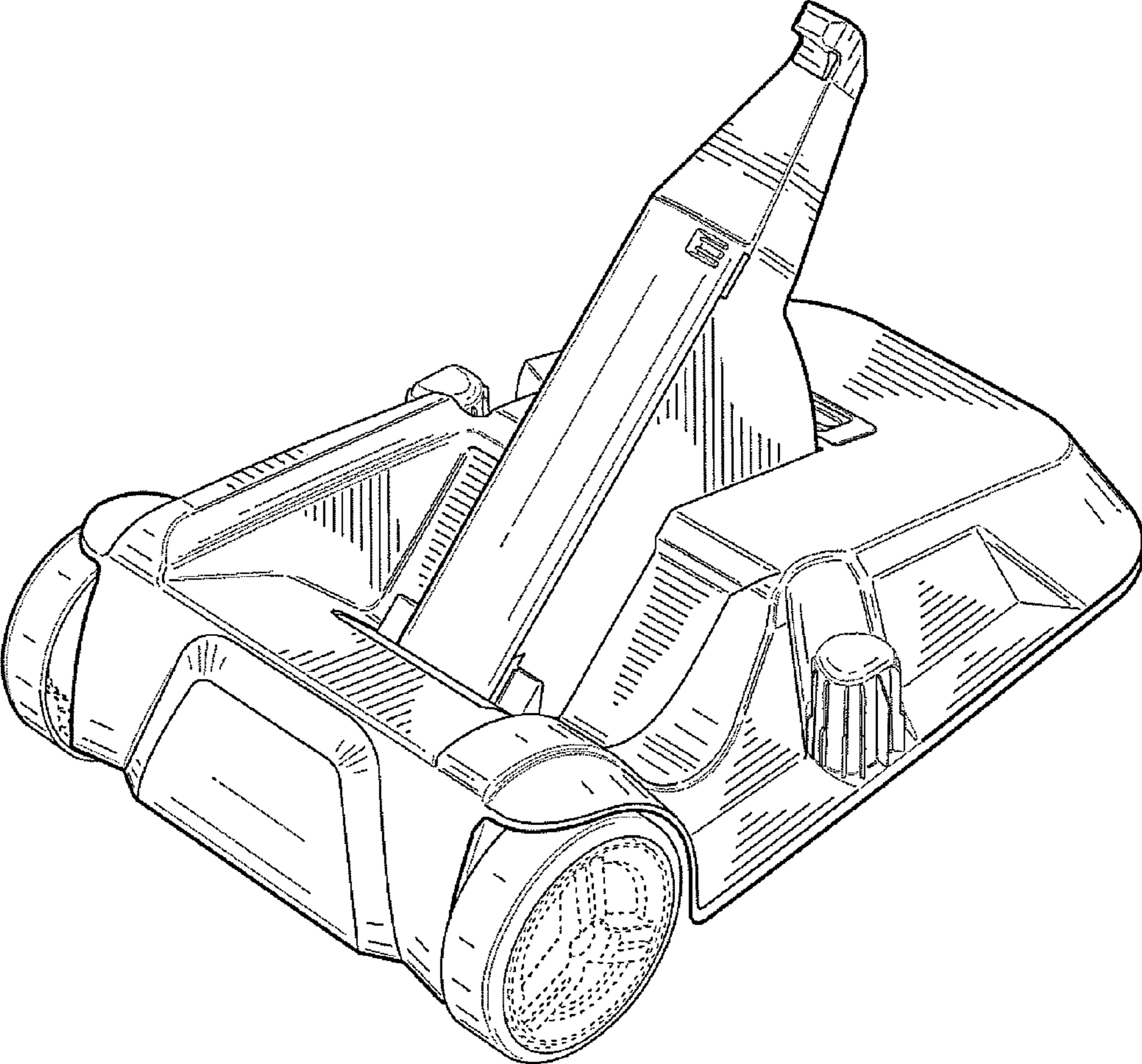


FIG. 1

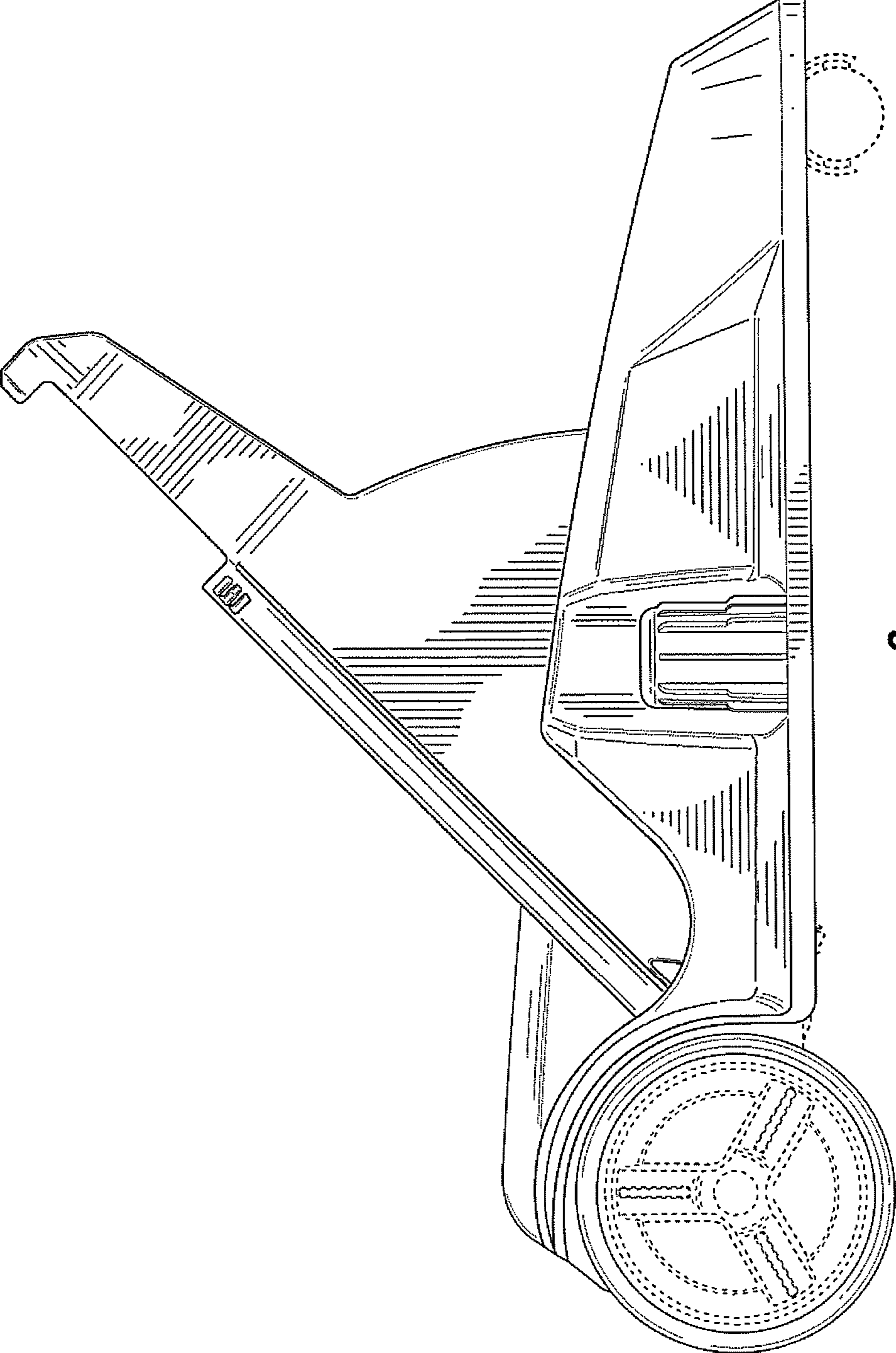


FIG. 2

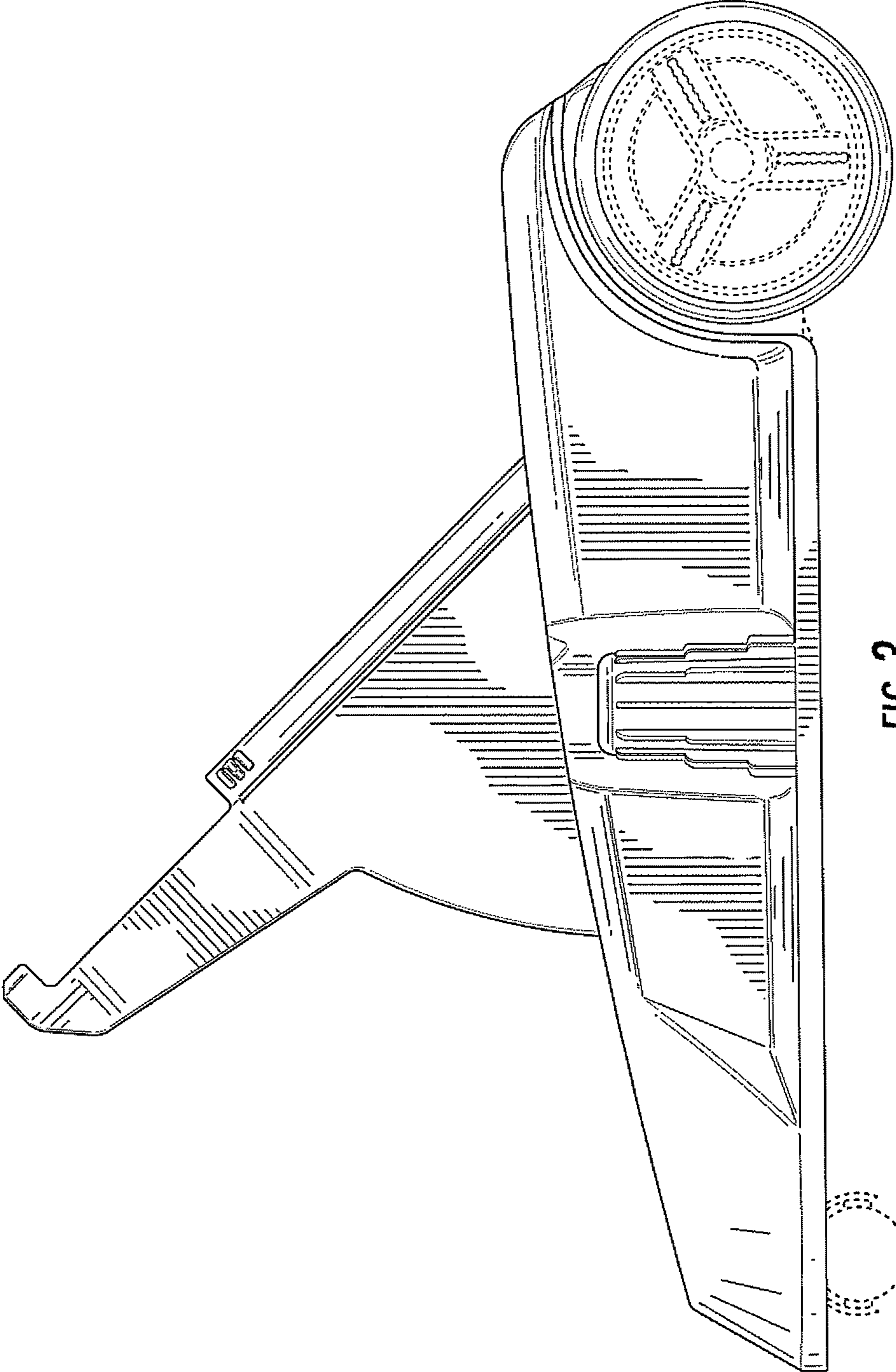


FIG. 3

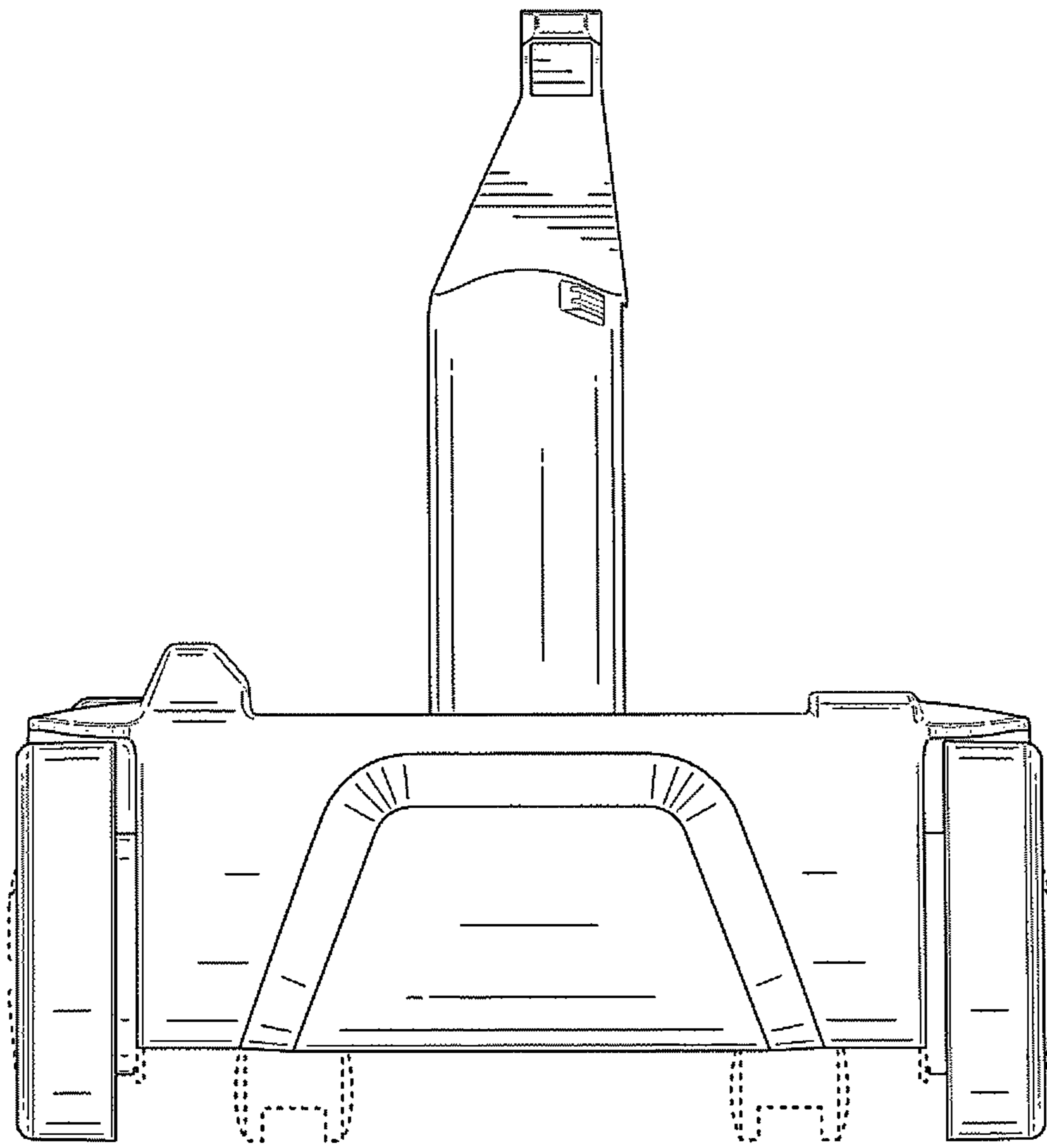


FIG. 4

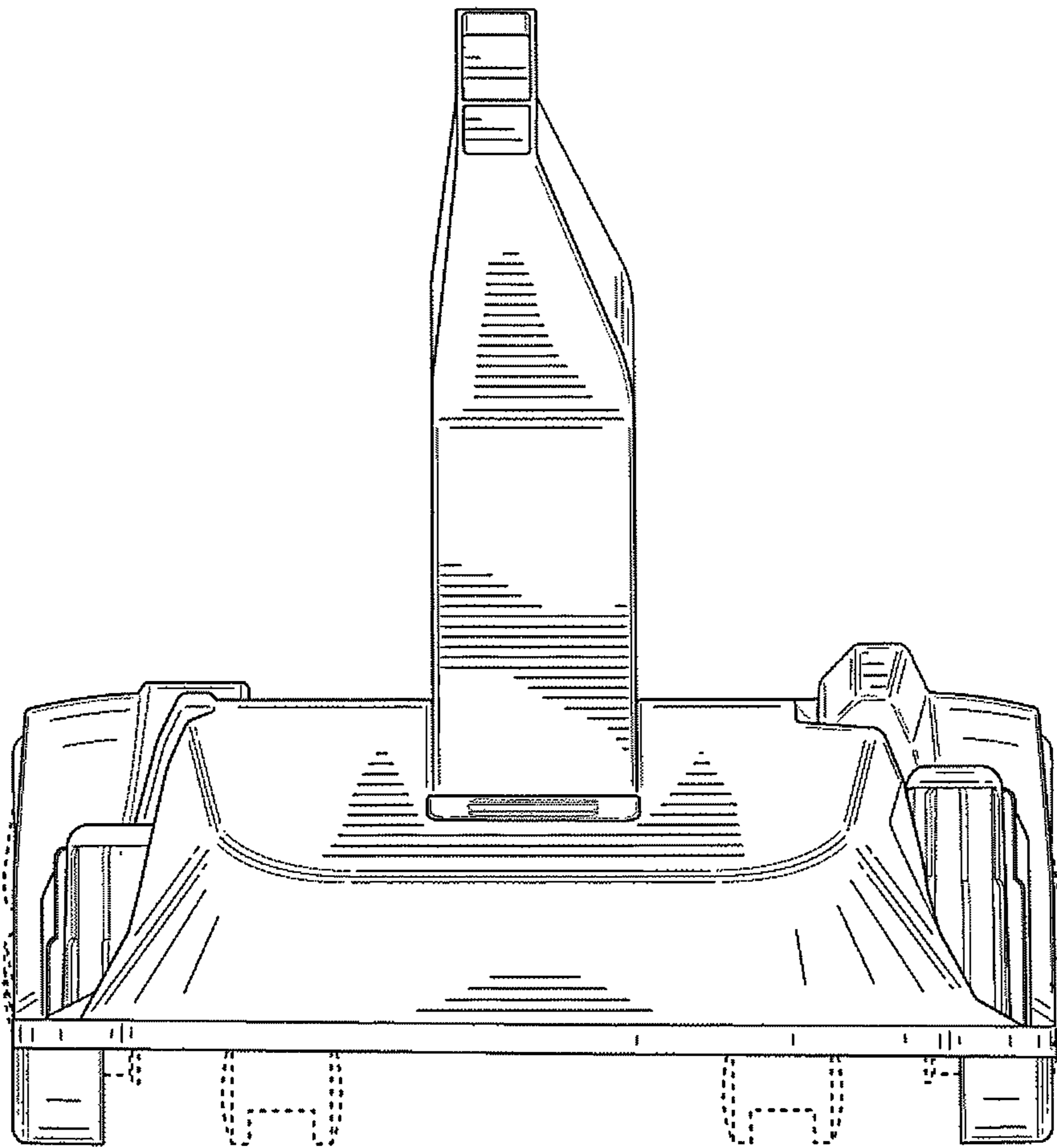


FIG. 5

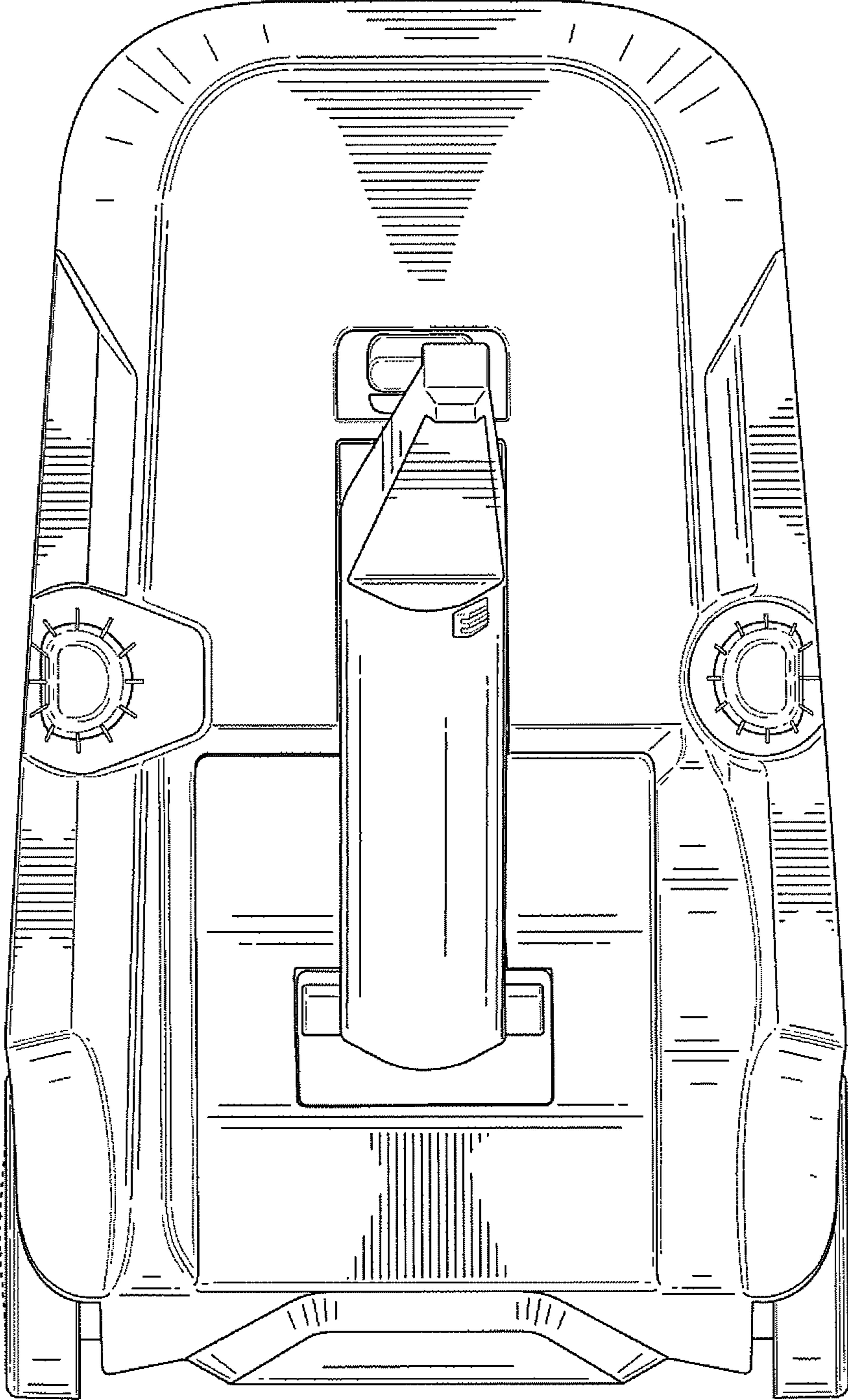


FIG. 6

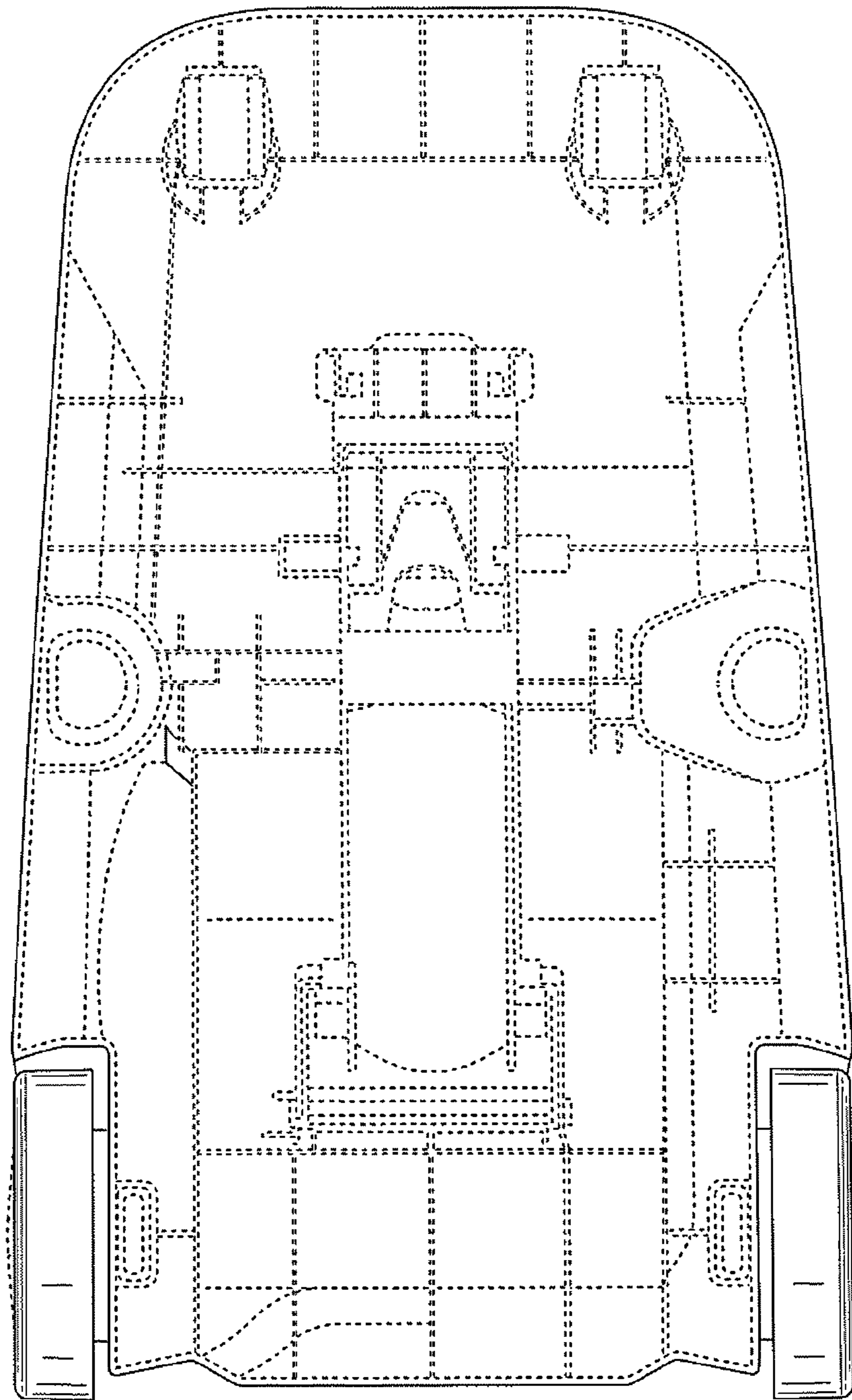


FIG. 7