



US00D742086S

(12) **United States Design Patent**
Pennington

(10) **Patent No.:** **US D742,086 S**

(45) **Date of Patent:** **** Oct. 27, 2015**

(54) **GUN CLEANING CASE**

(76) Inventor: **Billy Pennington**, Little Rock, AK (US)

(**) Term: **14 Years**

(21) Appl. No.: **29/425,016**

(22) Filed: **Jun. 19, 2012**

(51) **LOC (10) Cl.** **08-99**

(52) **U.S. Cl.**
USPC **D32/35; D32/1**

(58) **Field of Classification Search**
USPC D3/211, 254, 270, 262, 271.1, 271.9,
D3/273, 302; D9/600, 668, 380, 905;
D8/14; D22/108; 42/95; 206/315.11,
206/373, 349, 457
See application file for complete search history.

(56) **References Cited**

U.S. PATENT DOCUMENTS

D23,449 S *	7/1894	Bourne	D3/294
2,201,467 A *	5/1940	Bloom	401/18
D127,608 S *	6/1941	Prina	D28/86
D128,847 S *	8/1941	Petzold	D28/88
D130,375 S *	11/1941	Zimmerman	D28/89
D307,196 S *	4/1990	McClure	D28/79
D318,394 S *	7/1991	Larimer	D7/300.1
D357,584 S *	4/1995	Swingler	D3/300
D373,297 S *	9/1996	Hill	D8/105
D381,897 S *	8/1997	Matthiesen	D9/680
6,616,075 B1 *	9/2003	Millerd	241/168
D499,552 S *	12/2004	Nissanoff et al.	D3/302
D500,952 S *	1/2005	Moore	D9/600
D518,727 S *	4/2006	Haley et al.	D9/504
D535,476 S *	1/2007	Pennington	D3/271.1
D536,931 S *	2/2007	Spellman	D7/594
D558,451 S *	1/2008	Roesler	D3/302
D563,100 S *	3/2008	Epling et al.	D3/262
D602,663 S *	10/2009	Pennington	D32/35
D615,818 S *	5/2010	Jansen	D7/515

D639,280 S *	6/2011	Hayes	D14/223
D639,550 S *	6/2011	Buie, II	D3/224
D641,639 S *	7/2011	Kraff	D9/680
D644,939 S *	9/2011	Teller	D9/726
D654,378 S *	2/2012	Tucker et al.	D9/772
D664,042 S *	7/2012	Kurpis	D9/680
D665,227 S *	8/2012	Cason	D7/515
D671,828 S *	12/2012	Williams	D9/418
D675,433 S *	2/2013	Buie, II	D3/262
D677,356 S *	3/2013	Buie, II	D22/108
D682,413 S *	5/2013	Gross et al.	D24/106
8,444,337 B2 *	5/2013	Teller	401/88
D686,921 S *	7/2013	Odobescu	D9/680
D694,010 S *	11/2013	Buie, II	D3/262
D696,741 S *	12/2013	Buie, II	D22/108
D702,398 S *	4/2014	Fakhouri et al.	D27/181
D706,139 S *	6/2014	Sovine et al.	D9/680

* cited by examiner

Primary Examiner — John Windmuller

(74) *Attorney, Agent, or Firm* — Joe D. Calhoun

(57) **CLAIM**

The ornamental design for a gun cleaning case, as shown and described.

DESCRIPTION

FIG. 1 is a front elevation view of a gun cleaning case; the cap has been removed for clarity, with the rear, left and right elevation views being identical to the front elevation view.

FIG. 2 is another front elevation view of FIG. 1, with the cap offset.

FIG. 3 is a top plan view of FIG. 2.

FIG. 4 is a bottom plan view of FIG. 2.

FIG. 5 is another perspective view of FIG. 1, with the cap removed for clarity; and,

FIG. 6 is a perspective view of a gun cleaning case.

The broken lines depict portions of the gun cleaning case that are not part of the claimed design.

1 Claim, 6 Drawing Sheets

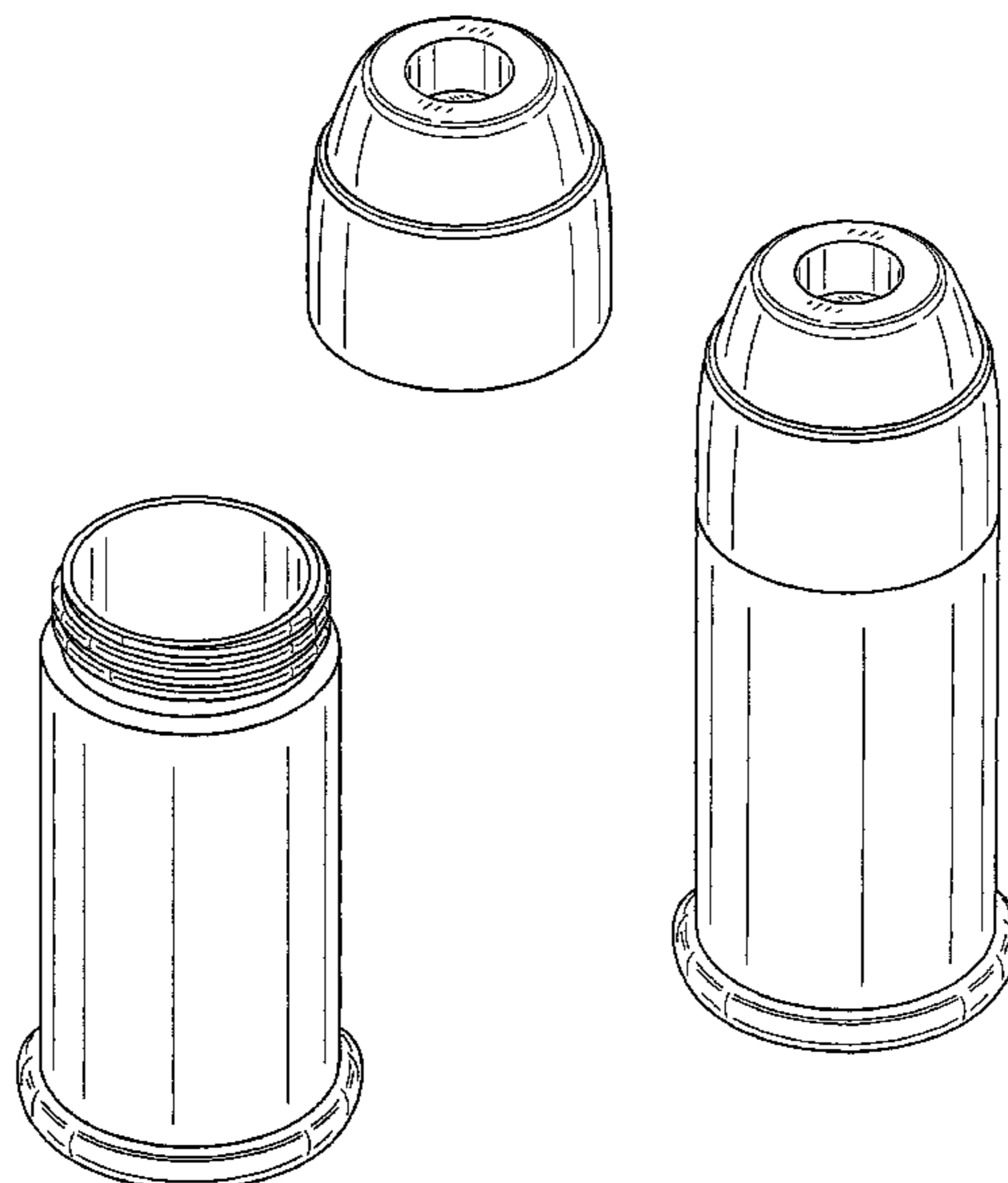
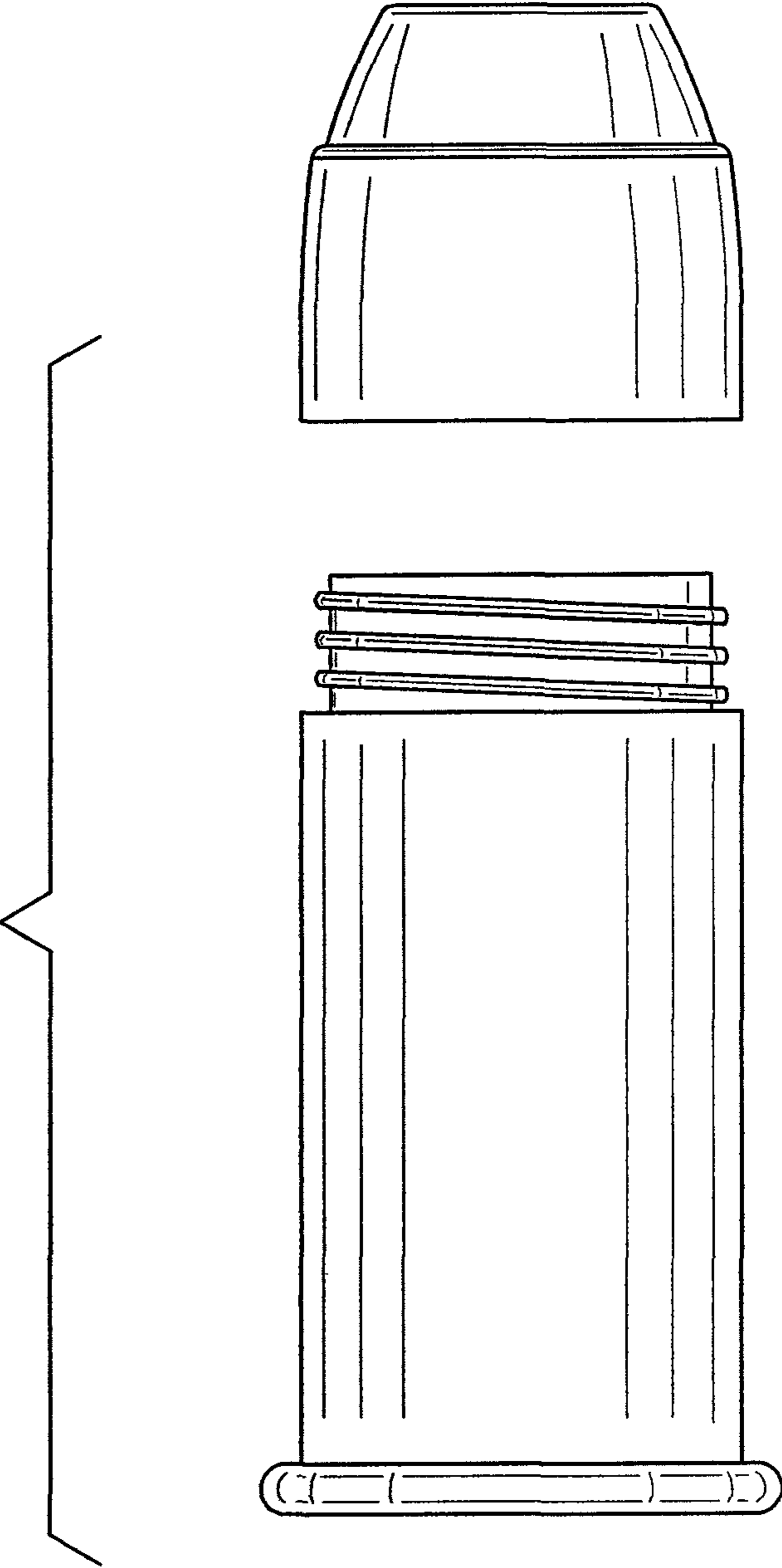


FIG. 1



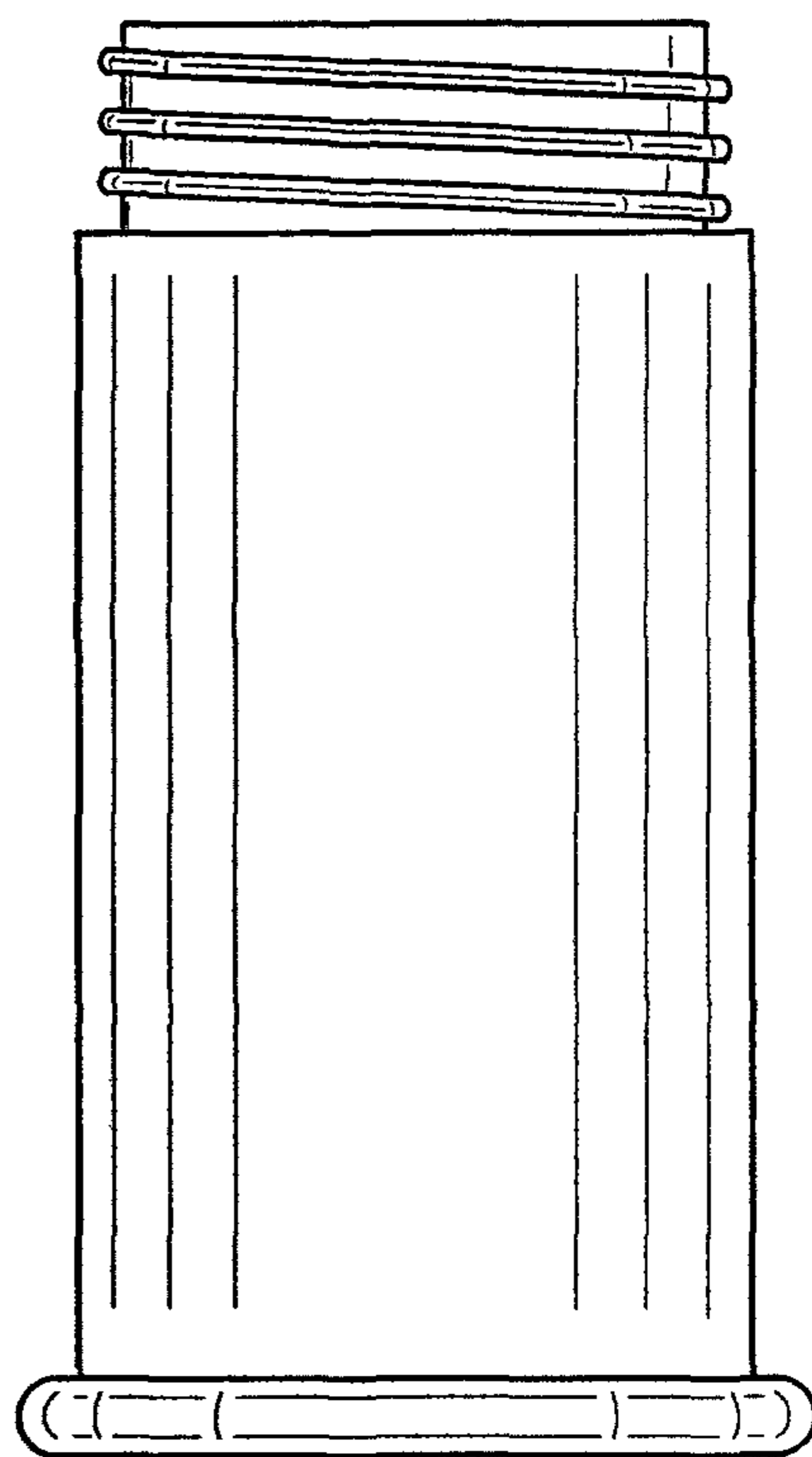
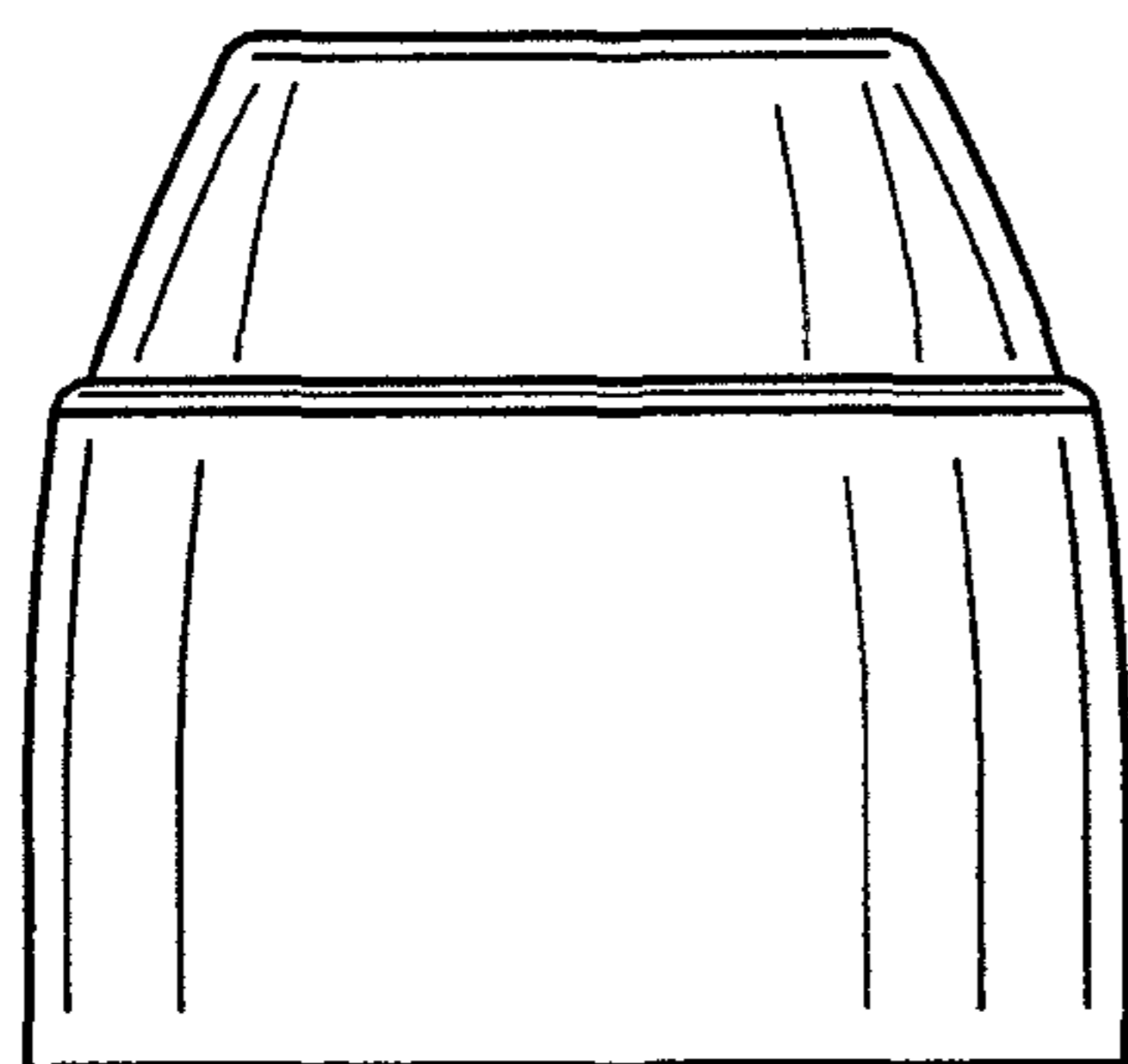


FIG. 2

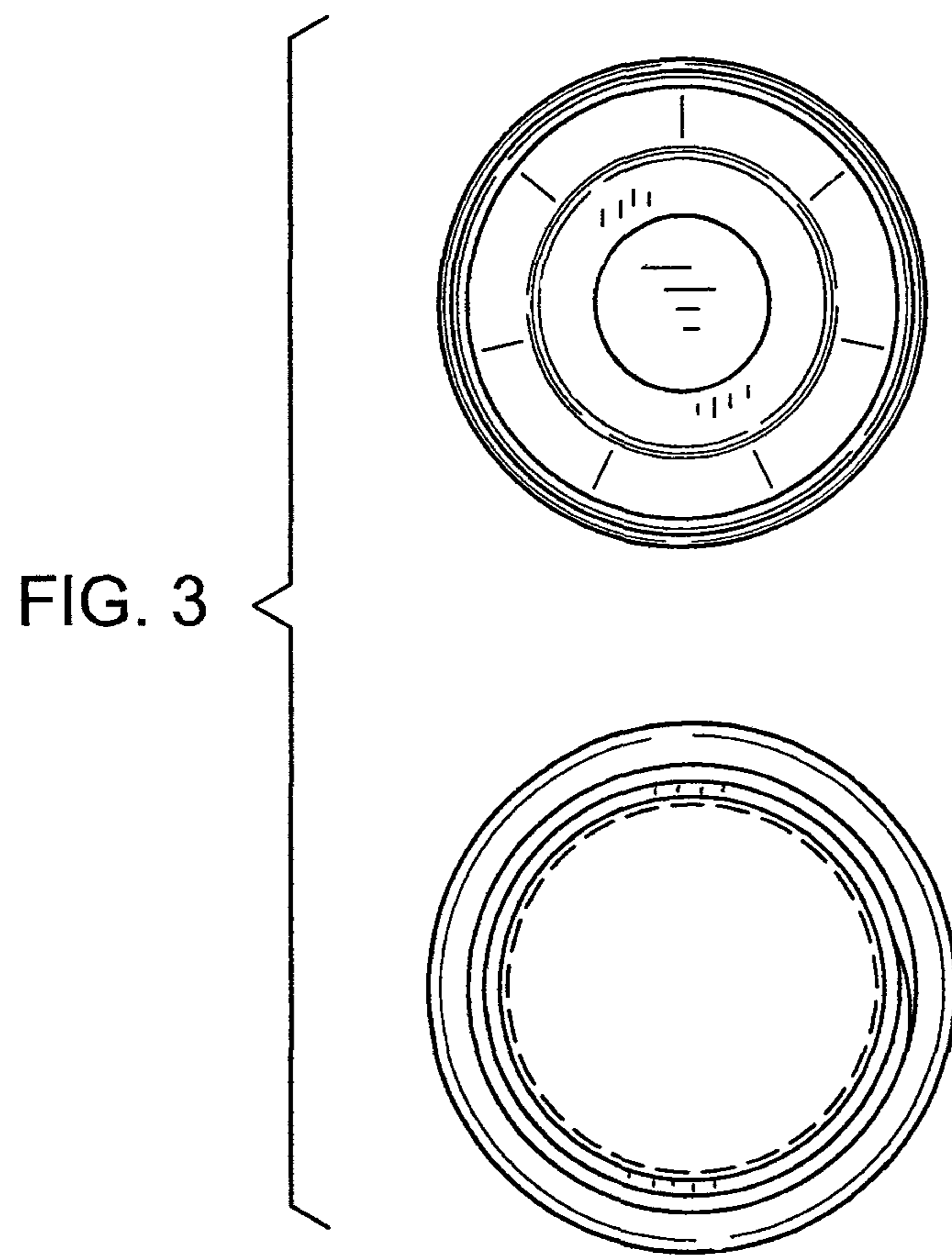
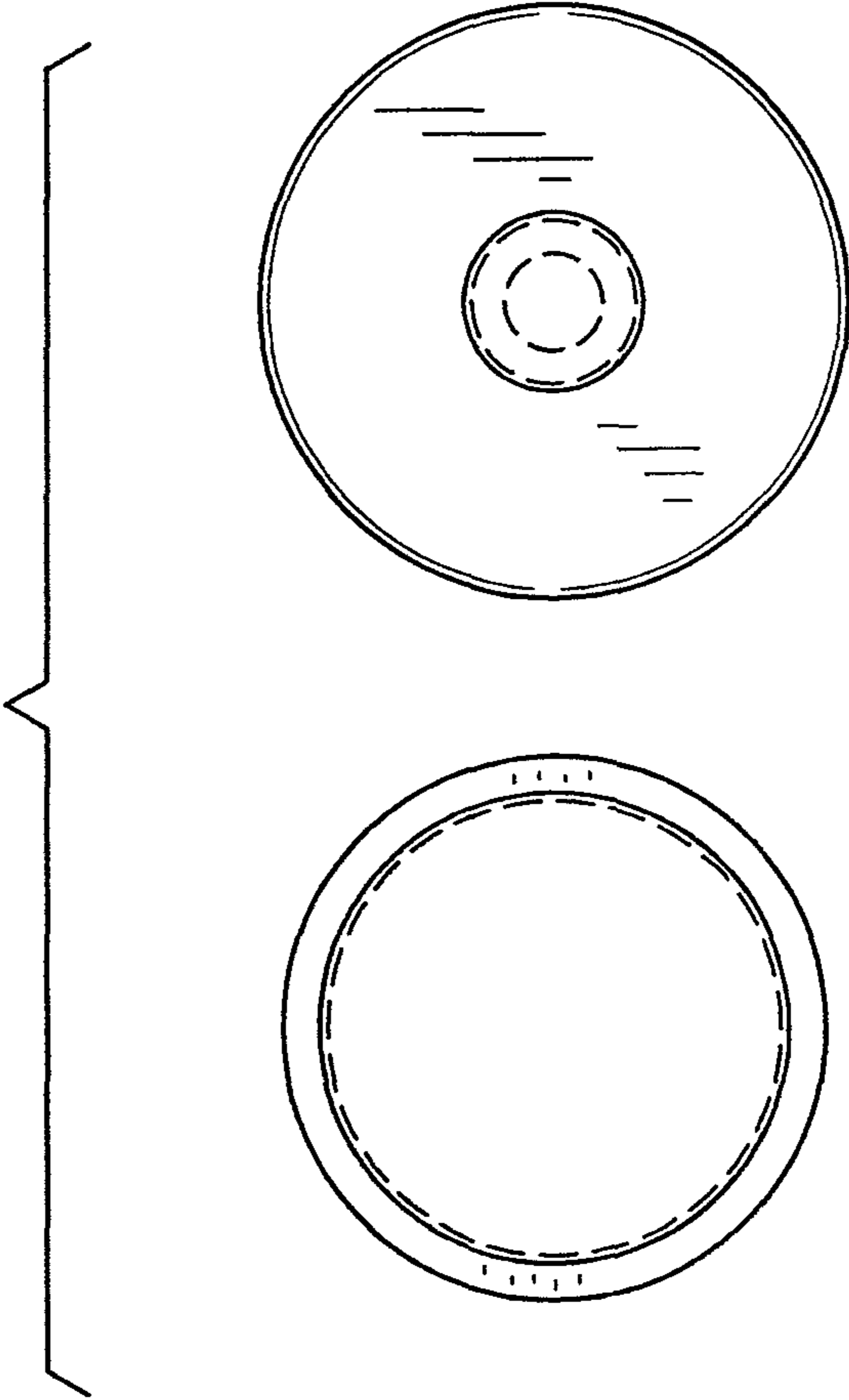


FIG. 4



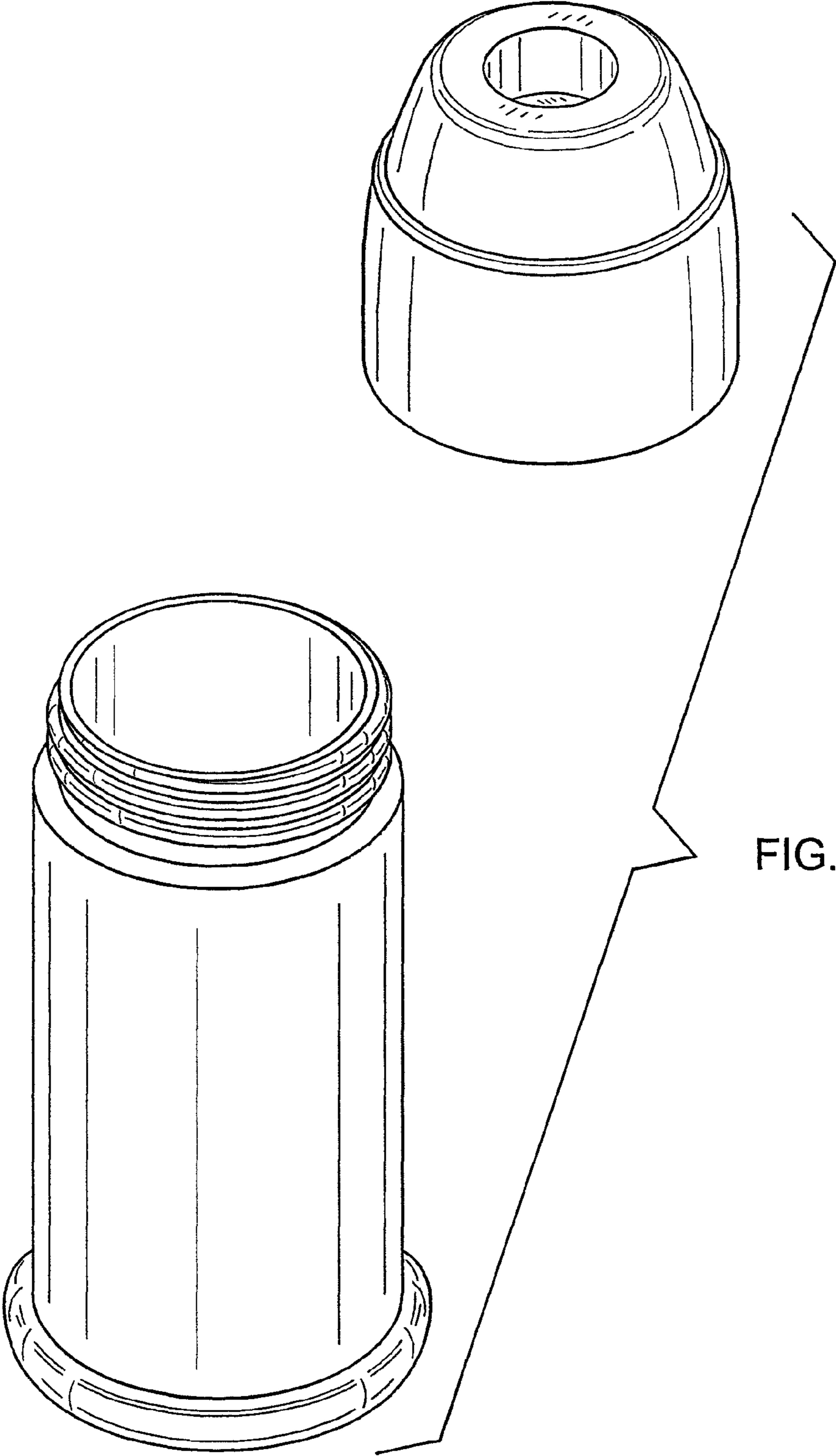


FIG. 5

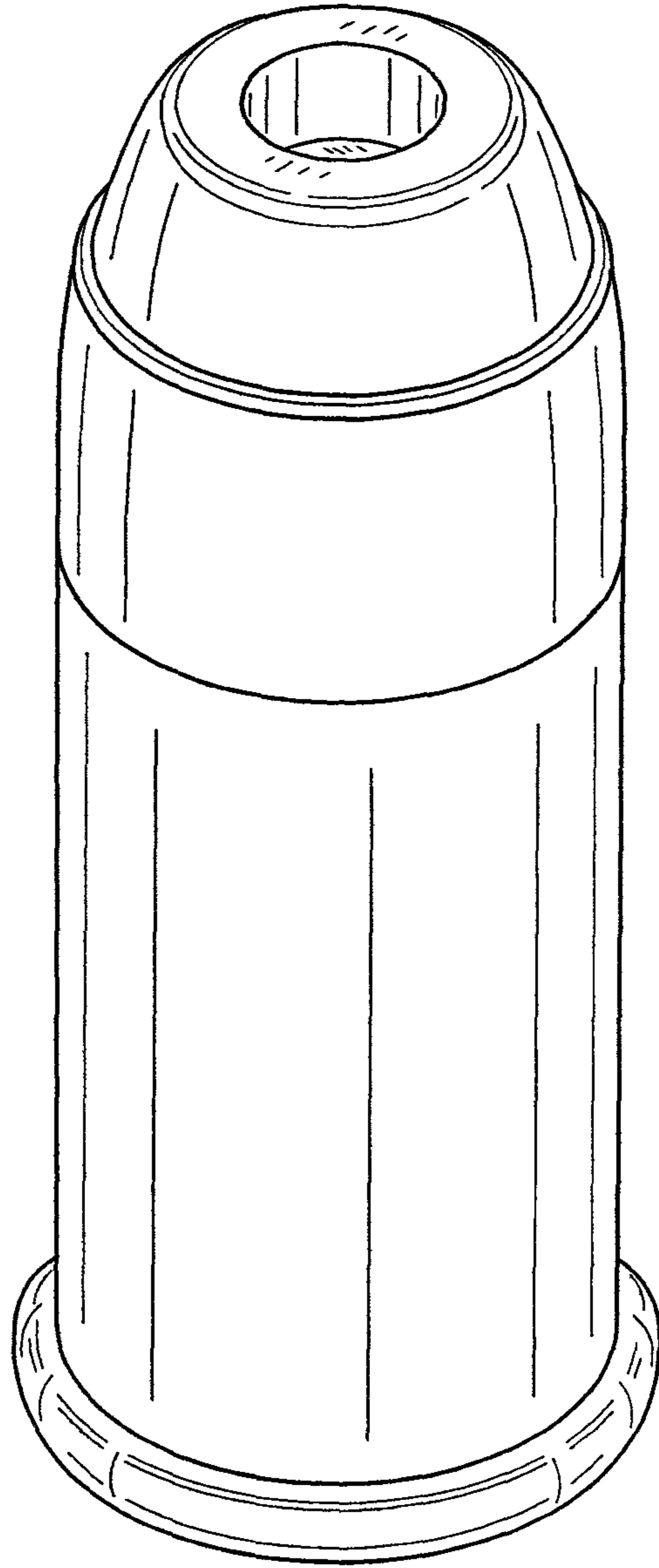


FIG. 6