



US00D742084S

(12) **United States Design Patent**
Schultz

(10) **Patent No.:** **US D742,084 S**

(45) **Date of Patent:** **** Oct. 27, 2015**

(54) **NOSE PIECE OF A HANDHELD VACUUM FOR HAIR CLIPPINGS**

(71) Applicant: **Michael Schultz**, Sandy Springs, GA (US)

(72) Inventor: **Michael Schultz**, Sandy Springs, GA (US)

(**) Term: **15 Years**

(21) Appl. No.: **29/529,333**

(22) Filed: **Jun. 5, 2015**

Related U.S. Application Data

(62) Division of application No. 29/461,180, filed on Jul. 19, 2013, now Pat. No. Des. 734,574.

(51) **LOC (10) Cl.** **15-05**

(52) **U.S. Cl.**
USPC **D32/31**

(58) **Field of Classification Search**
USPC D32/17-18, 31-33; D30/158
CPC A47L 5/24; A47L 5/362; A47L 5/28;
A47L 9/325; A47L 9/2857; A47L 9/1427
See application file for complete search history.

(56) **References Cited**

U.S. PATENT DOCUMENTS

D176,422 S *	12/1955	Madl	D32/18
D184,829 S *	4/1959	Nerheim	D32/18
D272,568 S *	2/1984	Kuhl	D30/158
4,485,583 A *	12/1984	Planty	43/139
D303,856 S *	10/1989	Yuen	D32/18
D307,067 S *	4/1990	Kuhl et al.	D30/158
D326,744 S *	6/1992	LeClair	D30/158

D368,342 S *	3/1996	Founds	D32/18
D383,260 S *	9/1997	Laube	D30/158
D467,048 S *	12/2002	Masaki	D32/17
D481,840 S *	11/2003	Lammers et al.	D32/18
D543,667 S *	5/2007	Yoshimoto et al.	D32/18
D553,810 S *	10/2007	Lau	D32/18
D595,018 S *	6/2009	Hsu	D32/18
D624,254 S *	9/2010	Ediger et al.	D32/17
D626,708 S *	11/2010	Khalil et al.	D32/18
D647,259 S *	10/2011	Ediger et al.	D32/17
D723,228 S *	2/2015	Luglan	D32/18
2005/0210624 A1 *	9/2005	Lammers et al.	15/344
2009/0277012 A1 *	11/2009	Mikula et al.	30/41.6
2011/0308035 A1 *	12/2011	Casper	15/344
2014/0366312 A1 *	12/2014	Christensen	15/344

* cited by examiner

Primary Examiner — Ruth McInroy

(74) *Attorney, Agent, or Firm* — Matthew L. Grell; Balsler & Grell IP Law

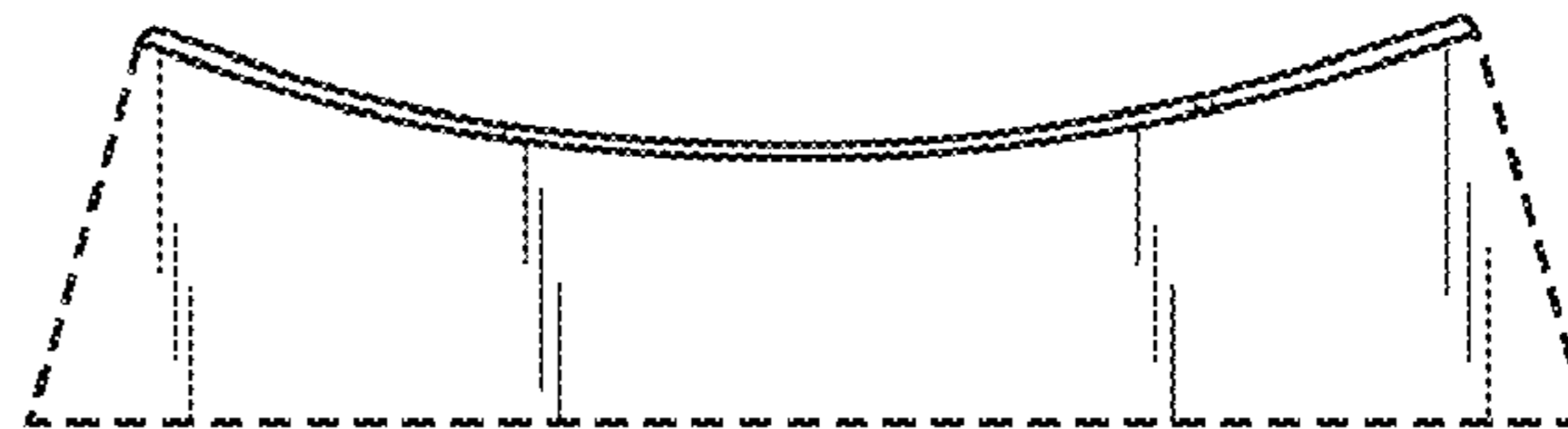
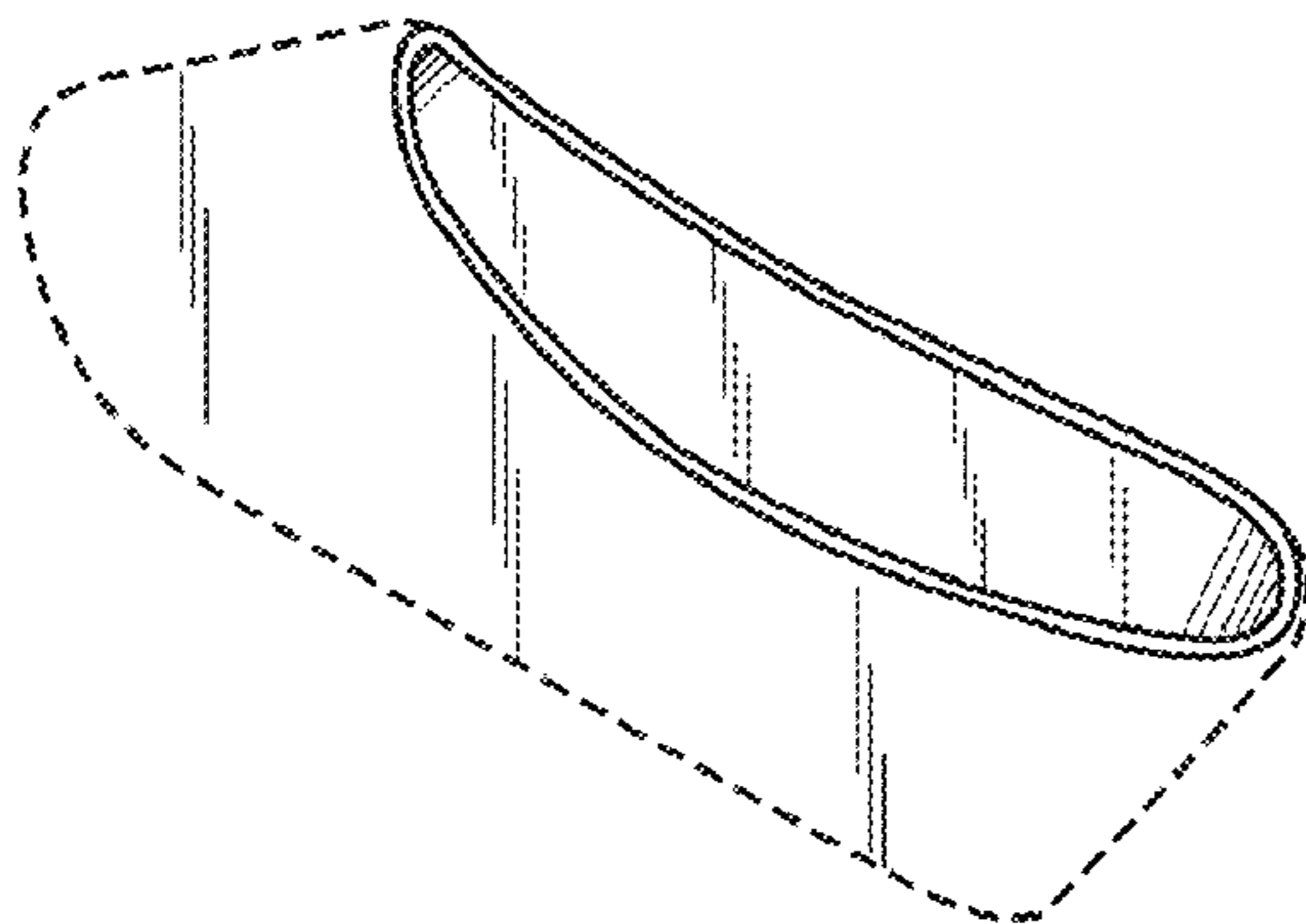
(57) **CLAIM**

The ornamental design for a nose piece of a handheld vacuum for hair clippings, as shown and described.

DESCRIPTION

FIG. 1 is a perspective view of the nose piece of a handheld vacuum for hair clippings showing my design;
FIG. 2 is a top view thereof;
FIG. 3 is a bottom thereof;
FIG. 4 is a left side view thereof;
FIG. 5 is a right side view thereof;
FIG. 6 is a front side view thereof; and,
FIG. 7 is a back side view thereof.
The broken lines shown in FIGS. 1-7 represent the portions of the design which form no part of the claimed design.

1 Claim, 1 Drawing Sheet



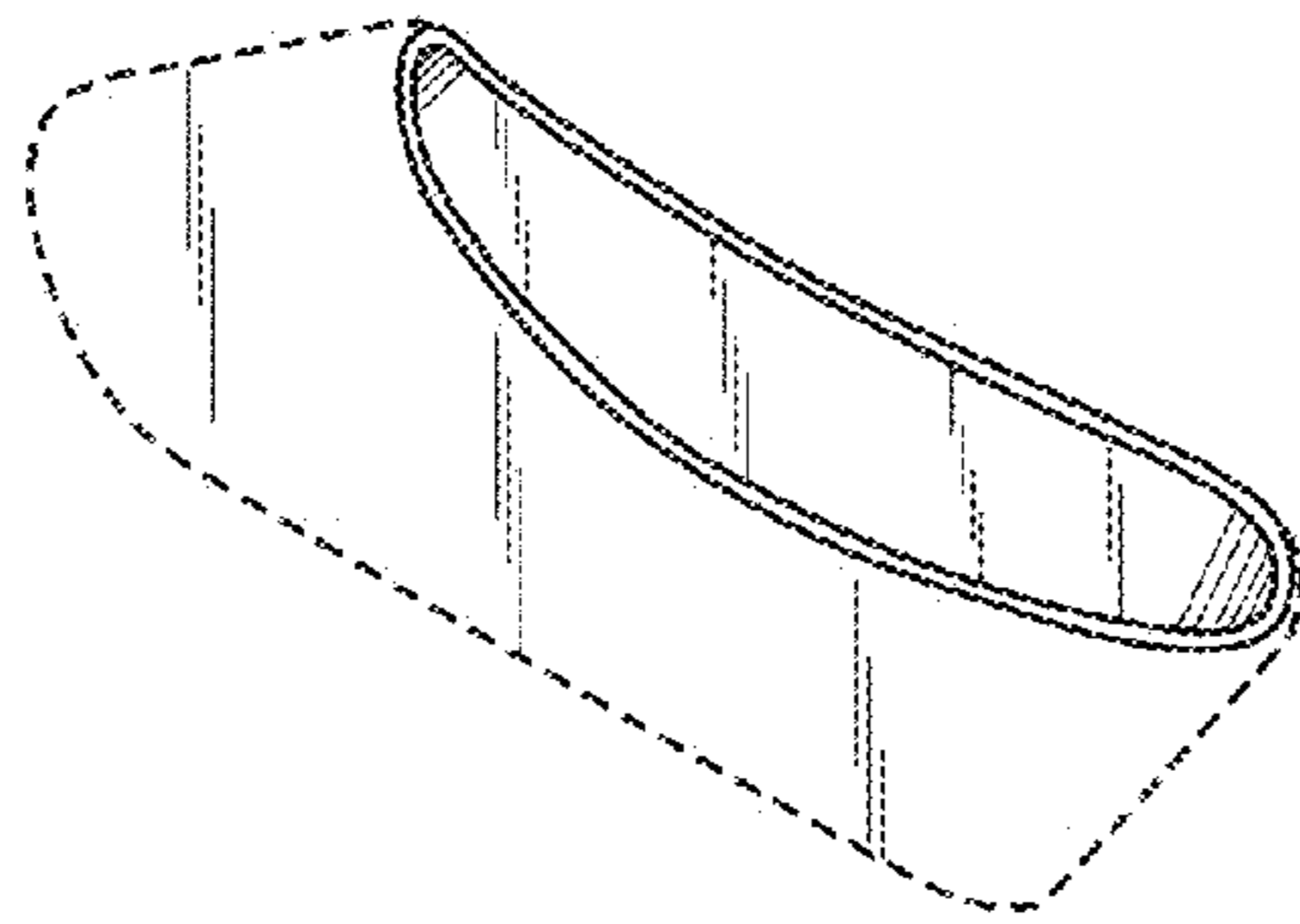


FIG. 1

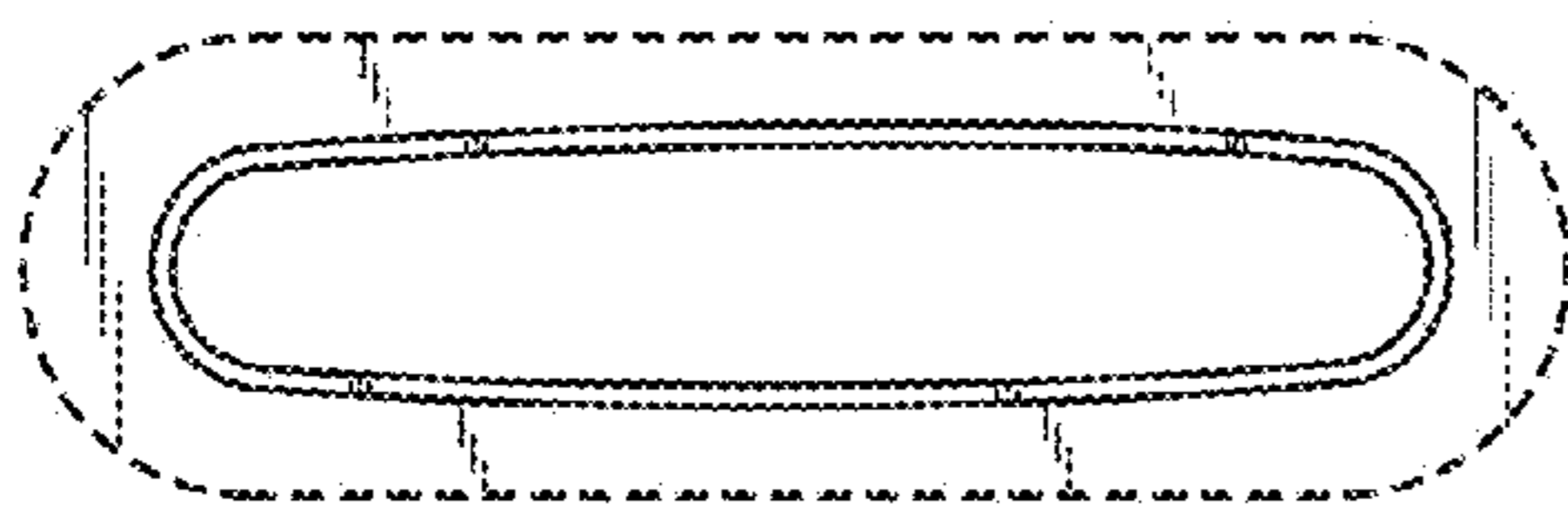


FIG. 2

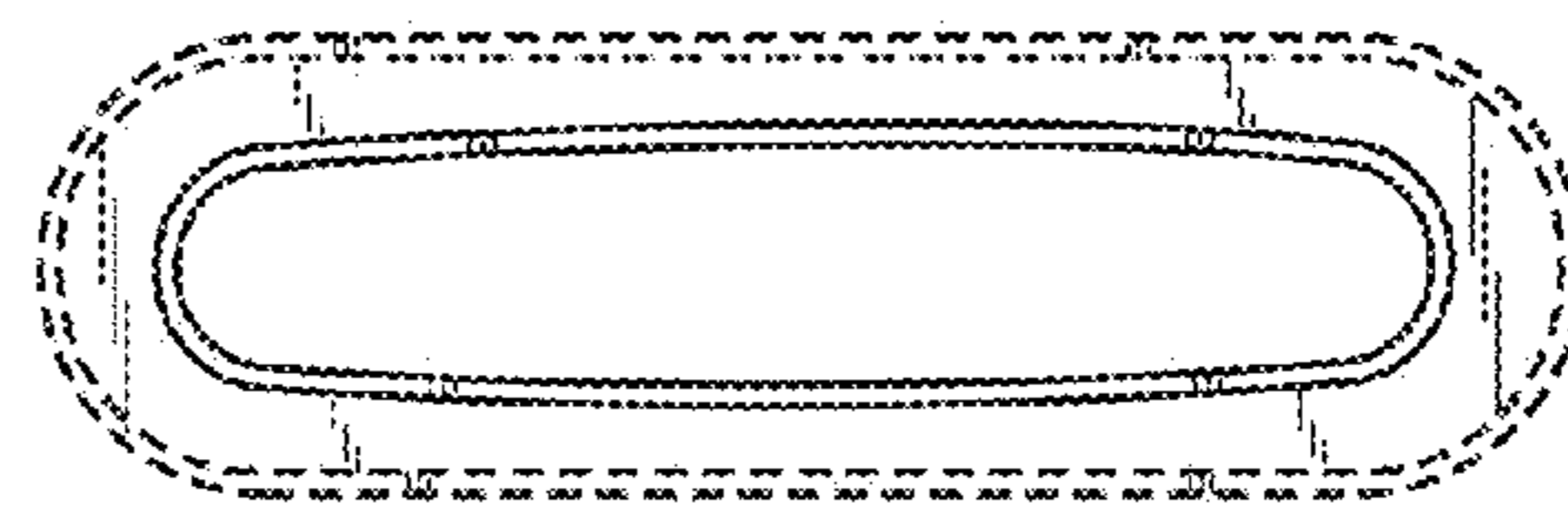


FIG. 3

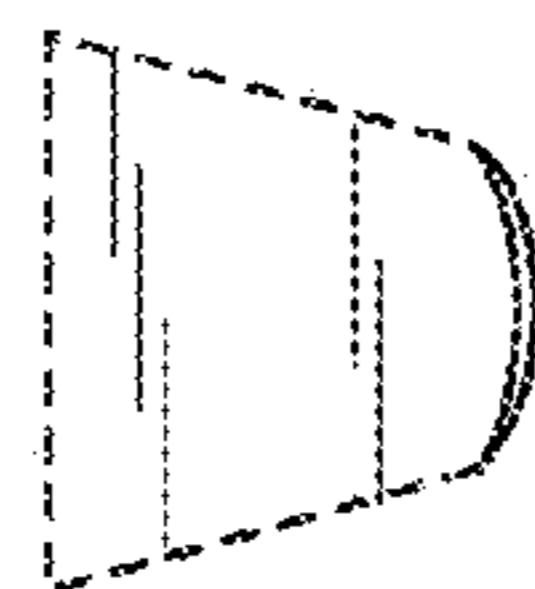


FIG. 4

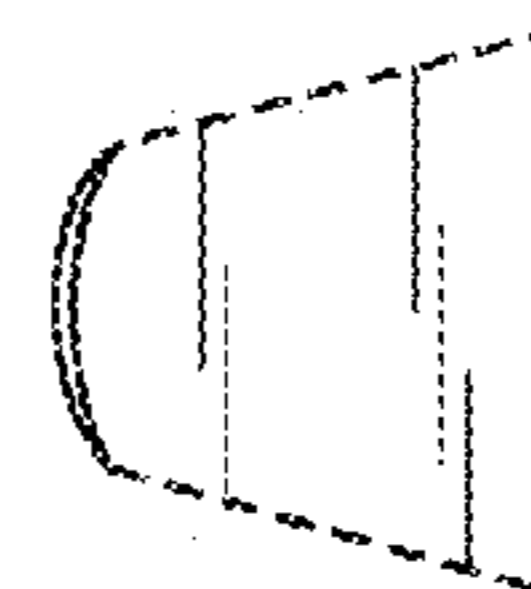


FIG. 5

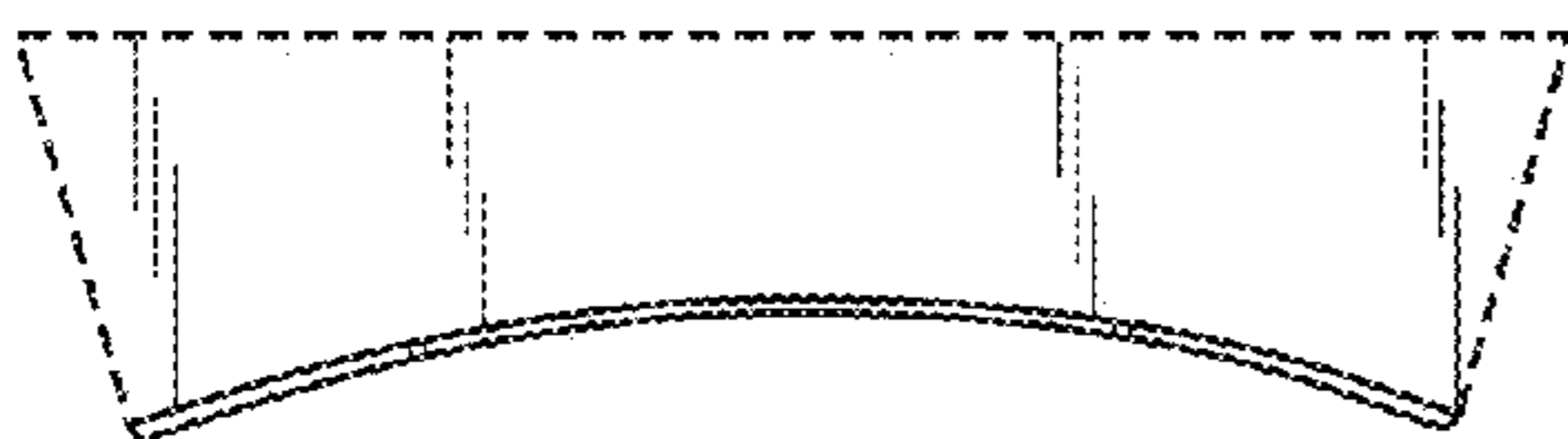


FIG. 6

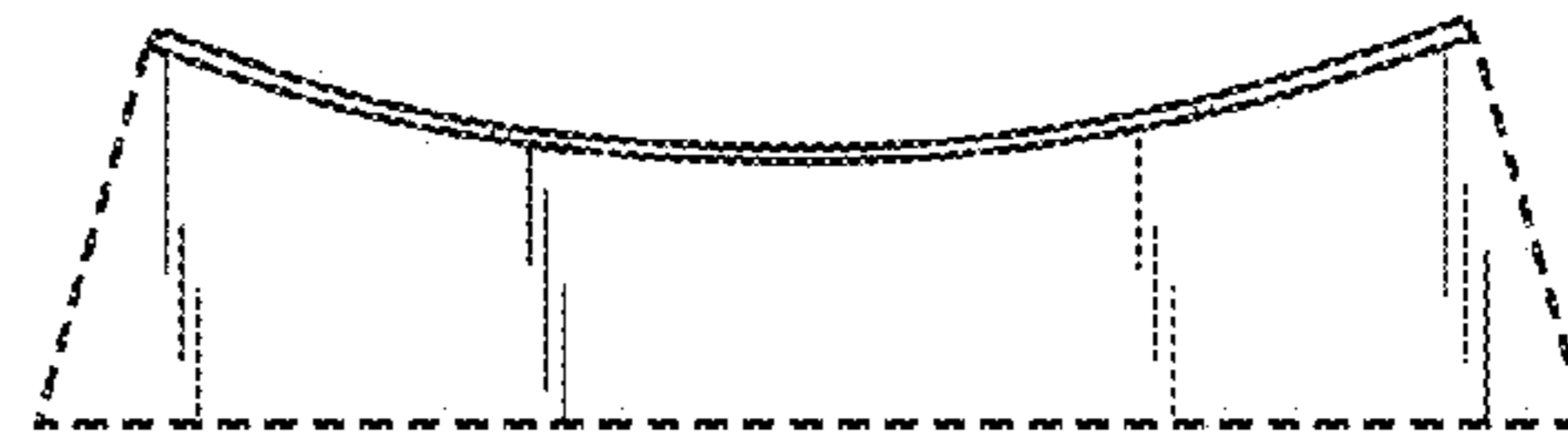


FIG. 7