



US00D742083S

(12) **United States Design Patent**
Gidwell et al.

(10) **Patent No.:** **US D742,083 S**
(45) **Date of Patent:** **** Oct. 27, 2015**

(54) **VACUUM CLEANER**

(71) Applicant: **Euro-Pro Operating LLC**, Newton, MA (US)

(72) Inventors: **Christopher Gidwell**, Auburndale, MA (US); **Gary Palladino**, Somerville, MA (US)

(73) Assignee: **Euro-Pro Operating LLC**, Newton, MA (US)

(**) Term: **14 Years**

(21) Appl. No.: **29/525,619**

(22) Filed: **Apr. 30, 2015**

Related U.S. Application Data

(63) Continuation of application No. 29/472,263, filed on Nov. 11, 2013, now Pat. No. Des. 731,720.

(51) **LOC (10) Cl.** **15-05**

(52) **U.S. Cl.**
USPC **D32/31**

(58) **Field of Classification Search**
USPC D8/70; D32/21, 17, 18, 22, 31
CPC B26F 1/16; B23D 59/006; B24B 55/06;
A47L 5/28; A47L 5/24; A47L 11/069; B23Q
11/0046

See application file for complete search history.

(56) **References Cited**

U.S. PATENT DOCUMENTS

6,101,669	A *	8/2000	Martin et al.	15/327.2
D577,163	S *	9/2008	Dyson et al.	D32/21
D581,609	S *	11/2008	Conrad et al.	D32/21
D585,608	S *	1/2009	Conrad et al.	D32/21
8,689,395	B2 *	4/2014	Conrad	15/323

* cited by examiner

Primary Examiner — Ruth McInroy

(74) *Attorney, Agent, or Firm* — Yang IPCo, PLLC

(57) **CLAIM**

The ornamental design for a vacuum cleaner, as shown and described.

DESCRIPTION

FIG. 1 is a perspective view of the top and front side of a vacuum cleaner showing our new design;

FIG. 2 is a perspective view of the bottom and rear side thereof;

FIG. 3 is a left side view thereof;

FIG. 4 is a front view thereof;

FIG. 5 is a right side view thereof;

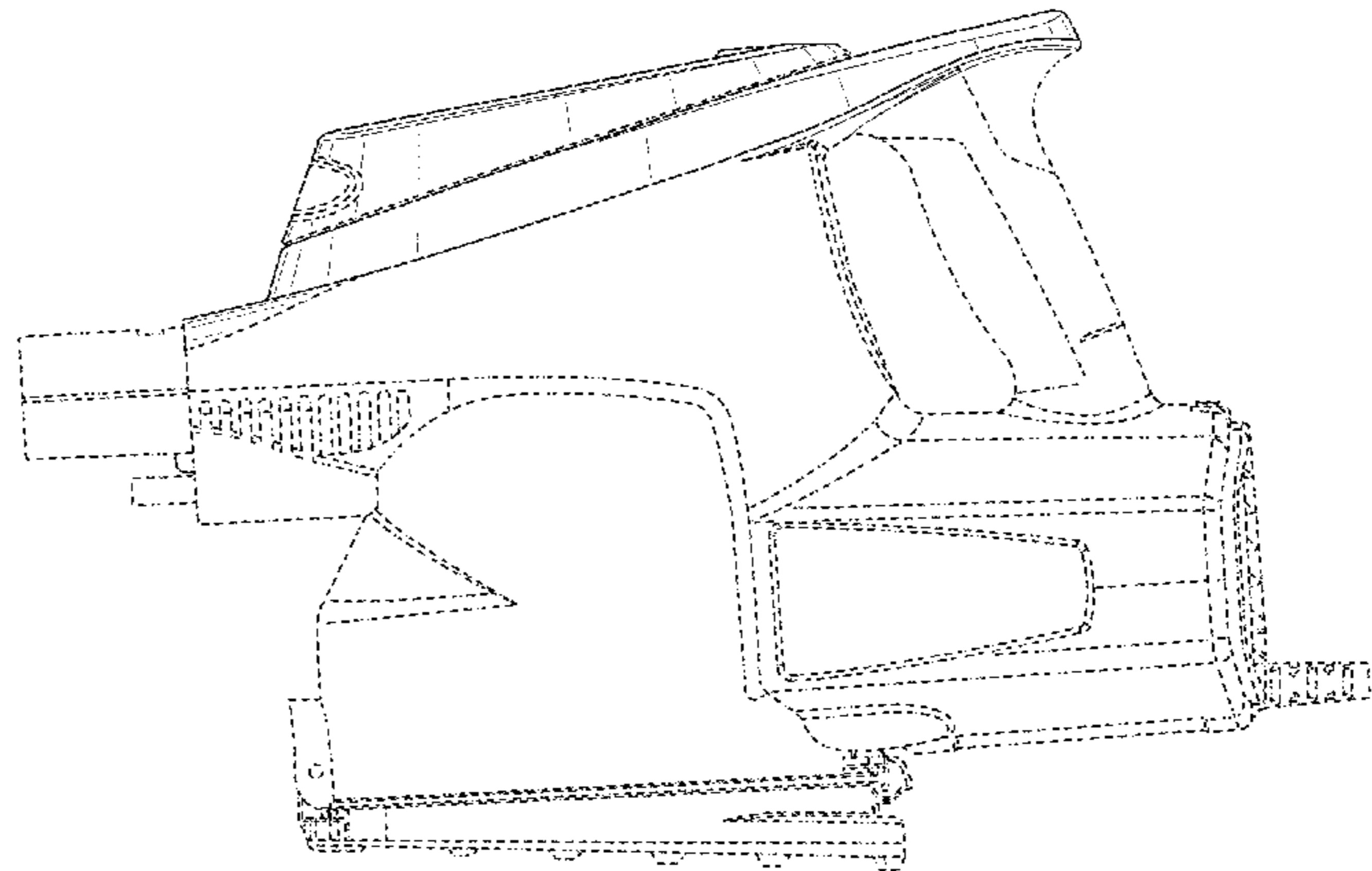
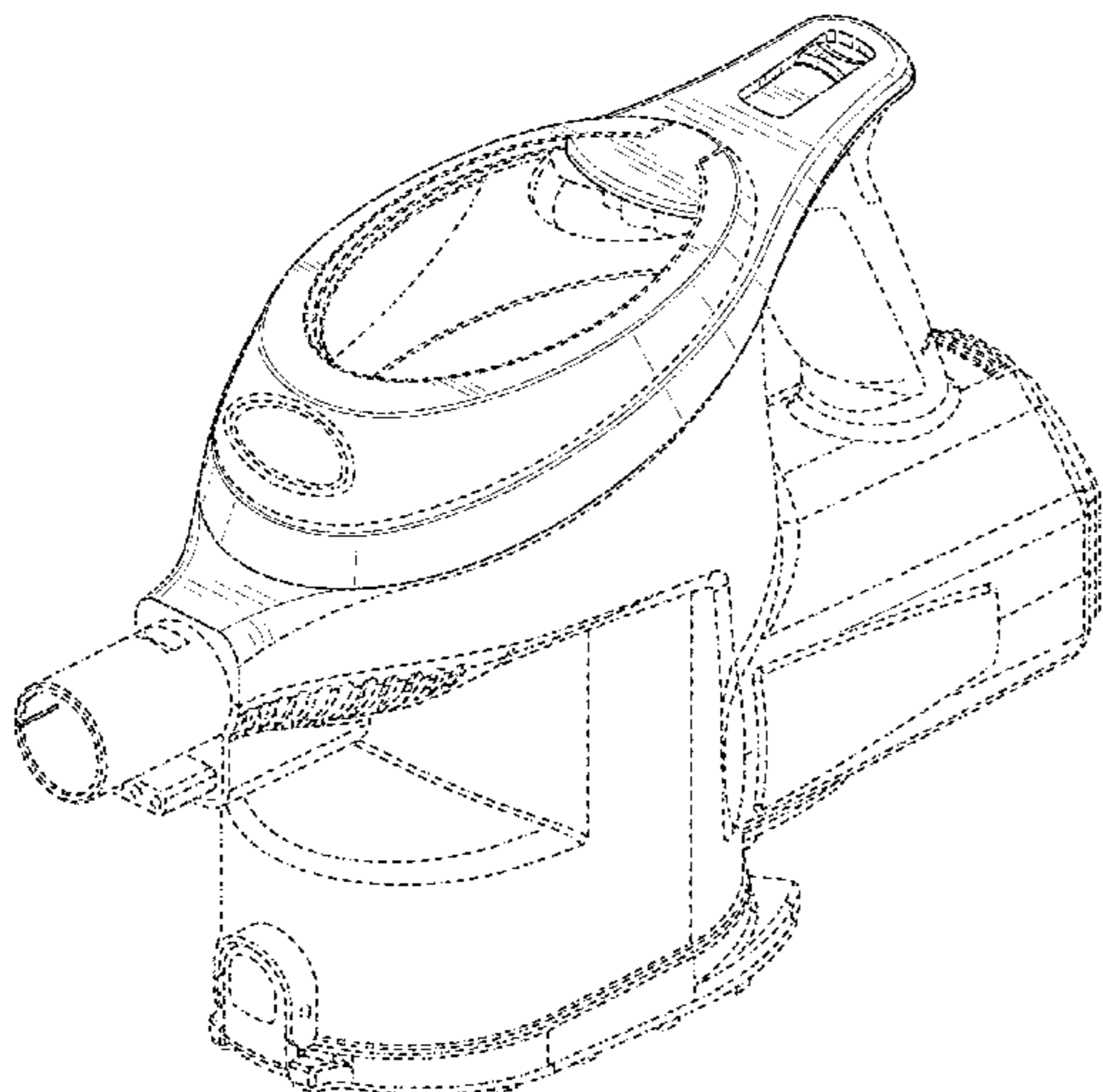
FIG. 6 is a rear view thereof;

FIG. 7 is a top view thereof; and,

FIG. 8 is a bottom view thereof.

The details shown in broken lines form no part of the claimed design.

1 Claim, 8 Drawing Sheets



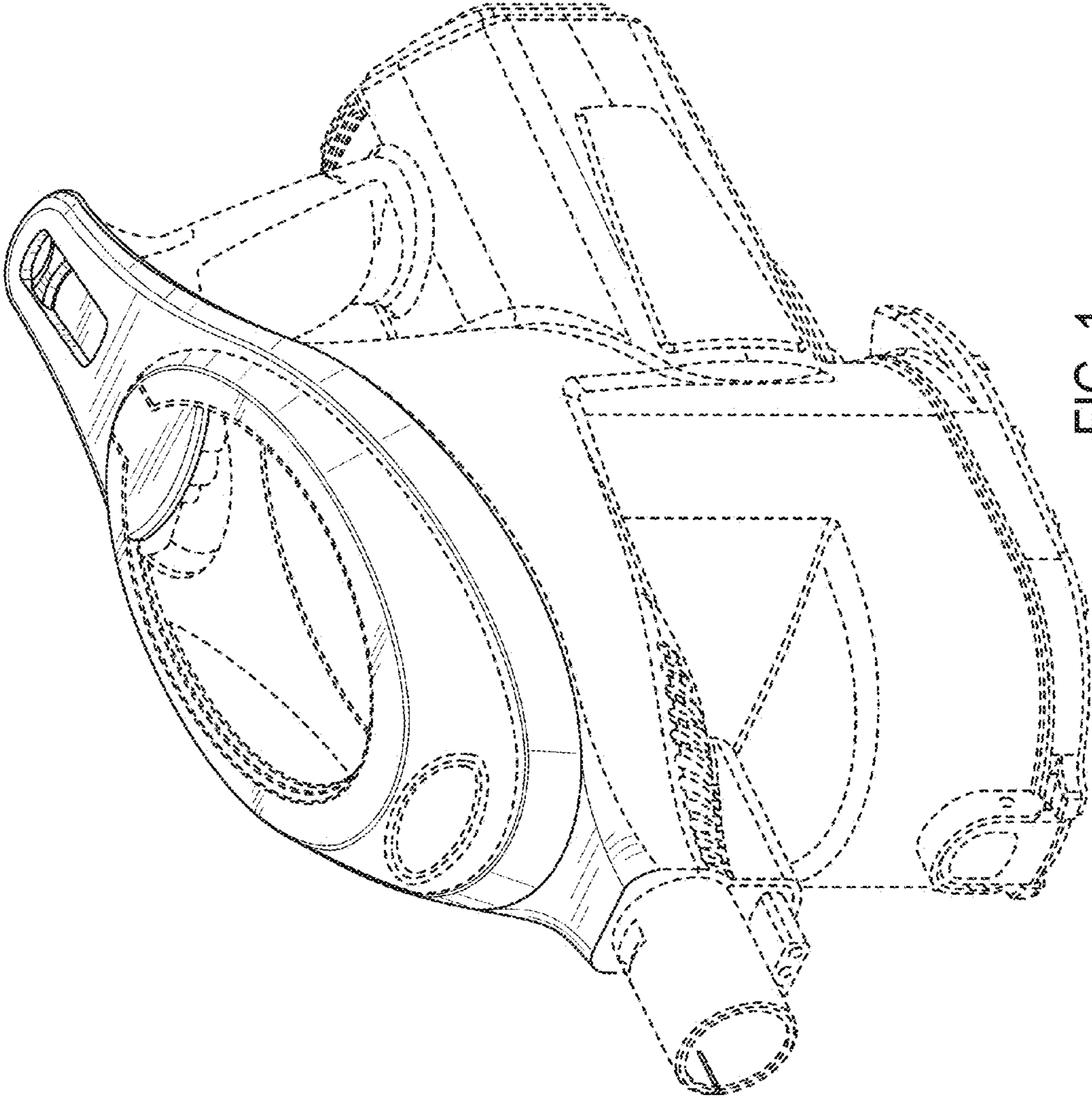


FIG. 1

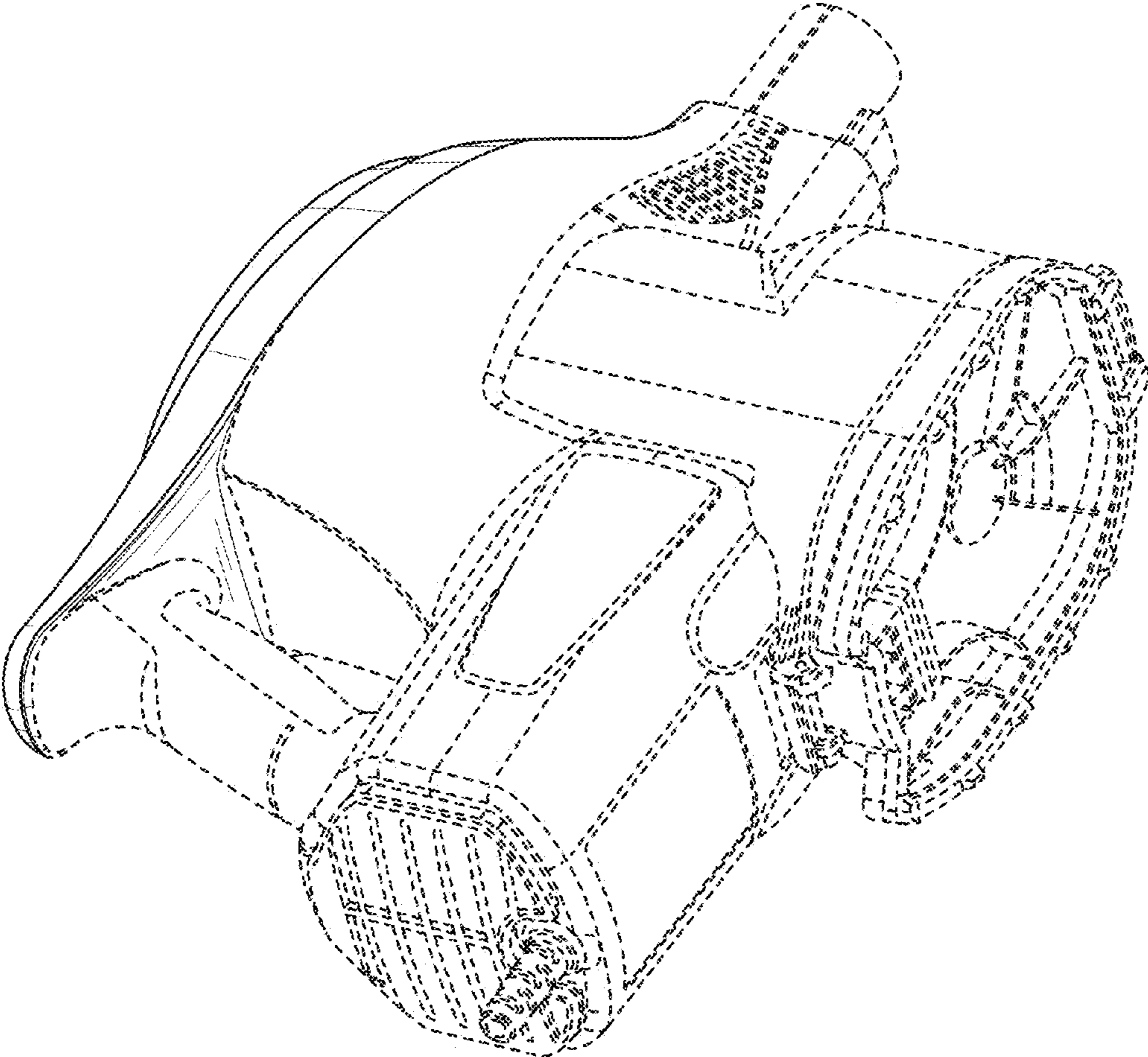


FIG. 2

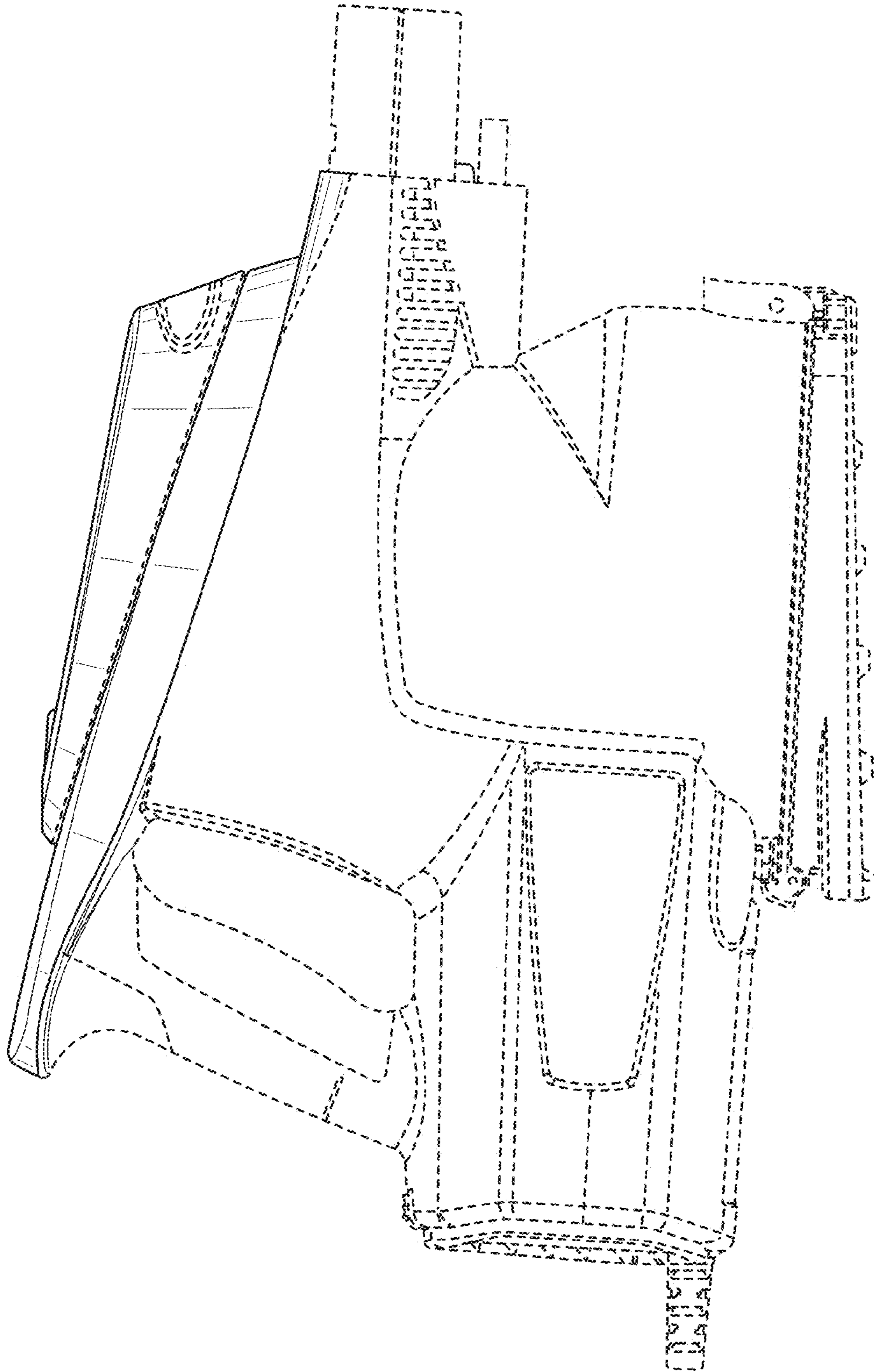


FIG. 3

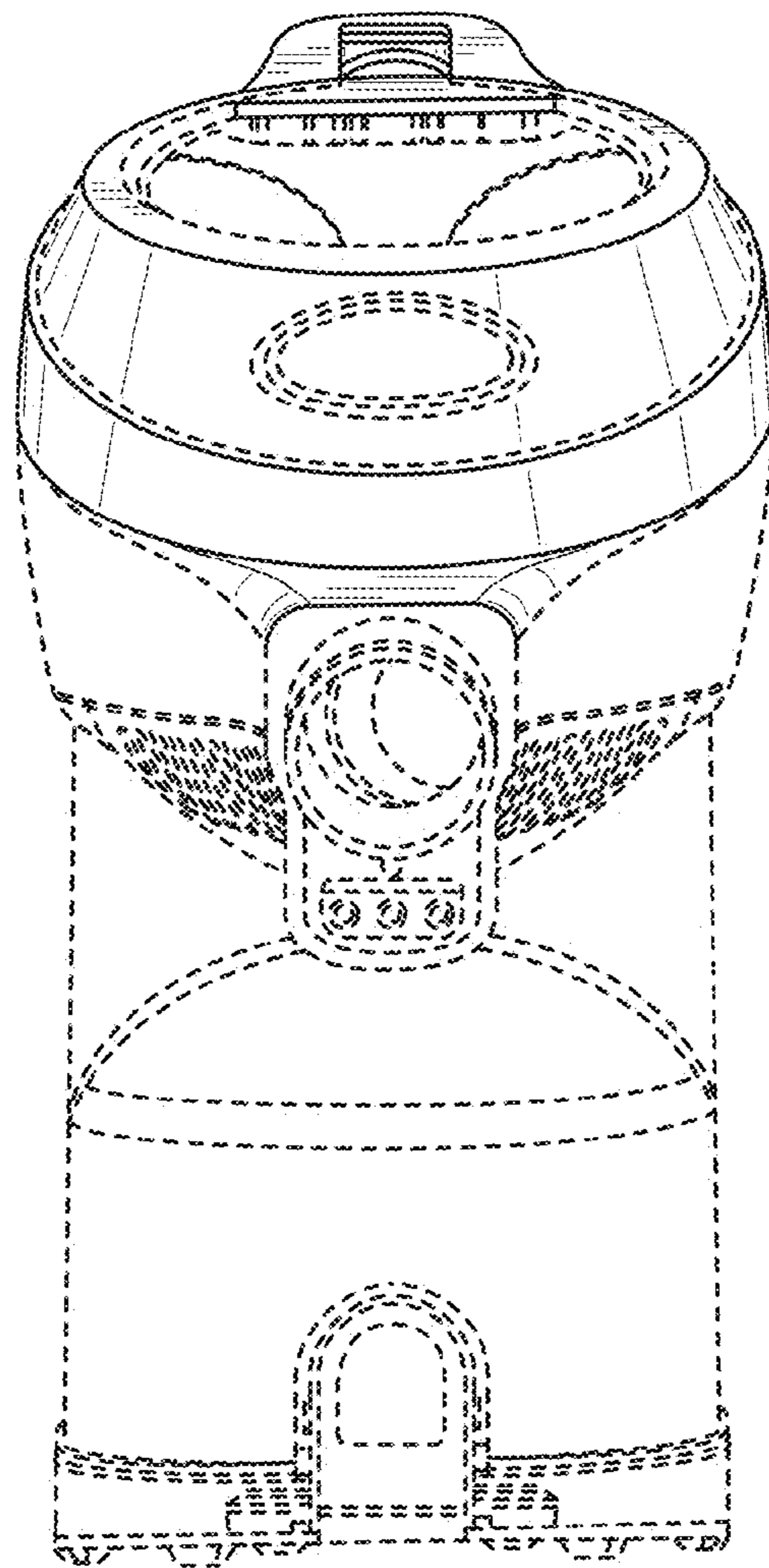


FIG. 4

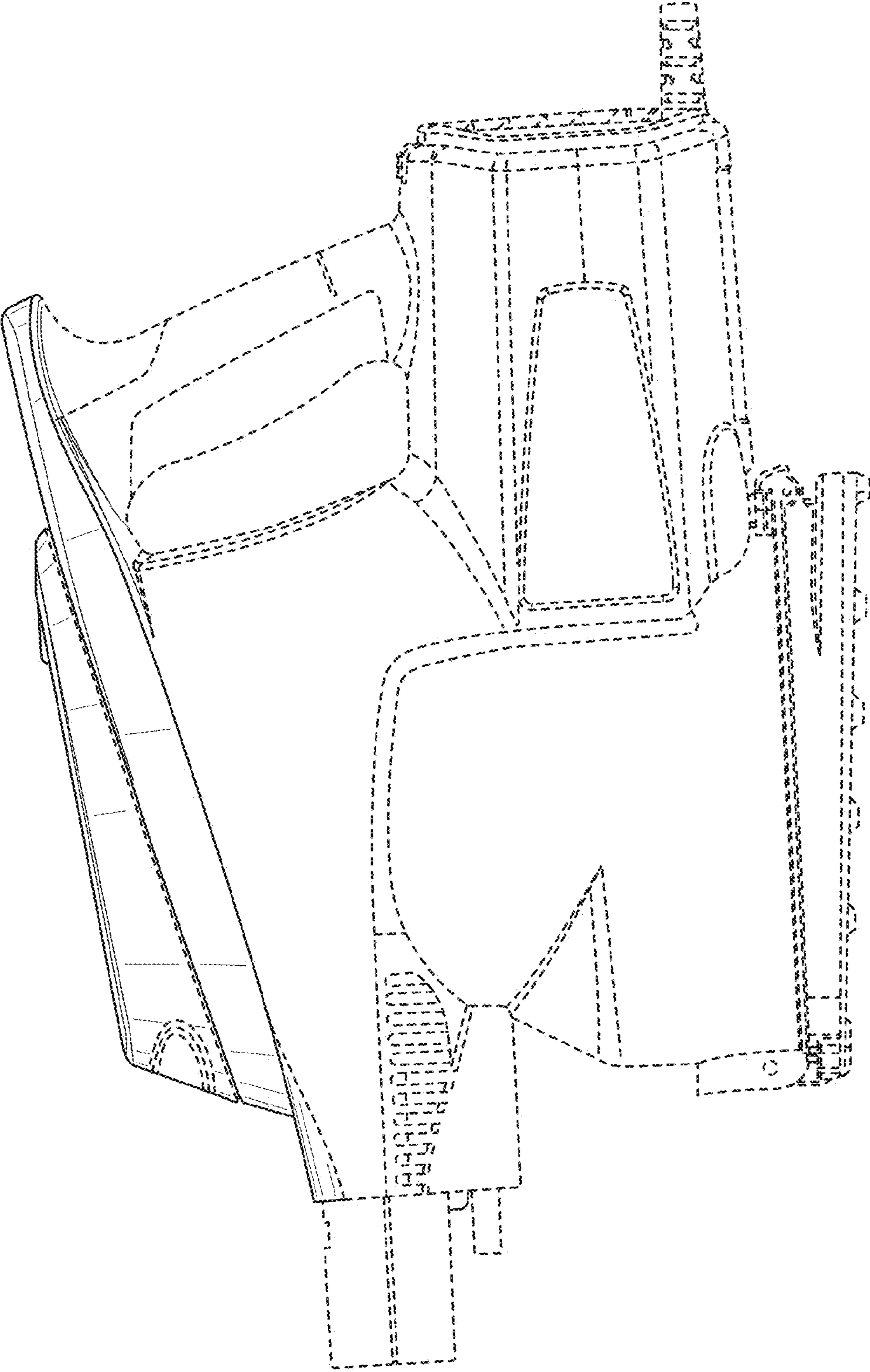


FIG. 5

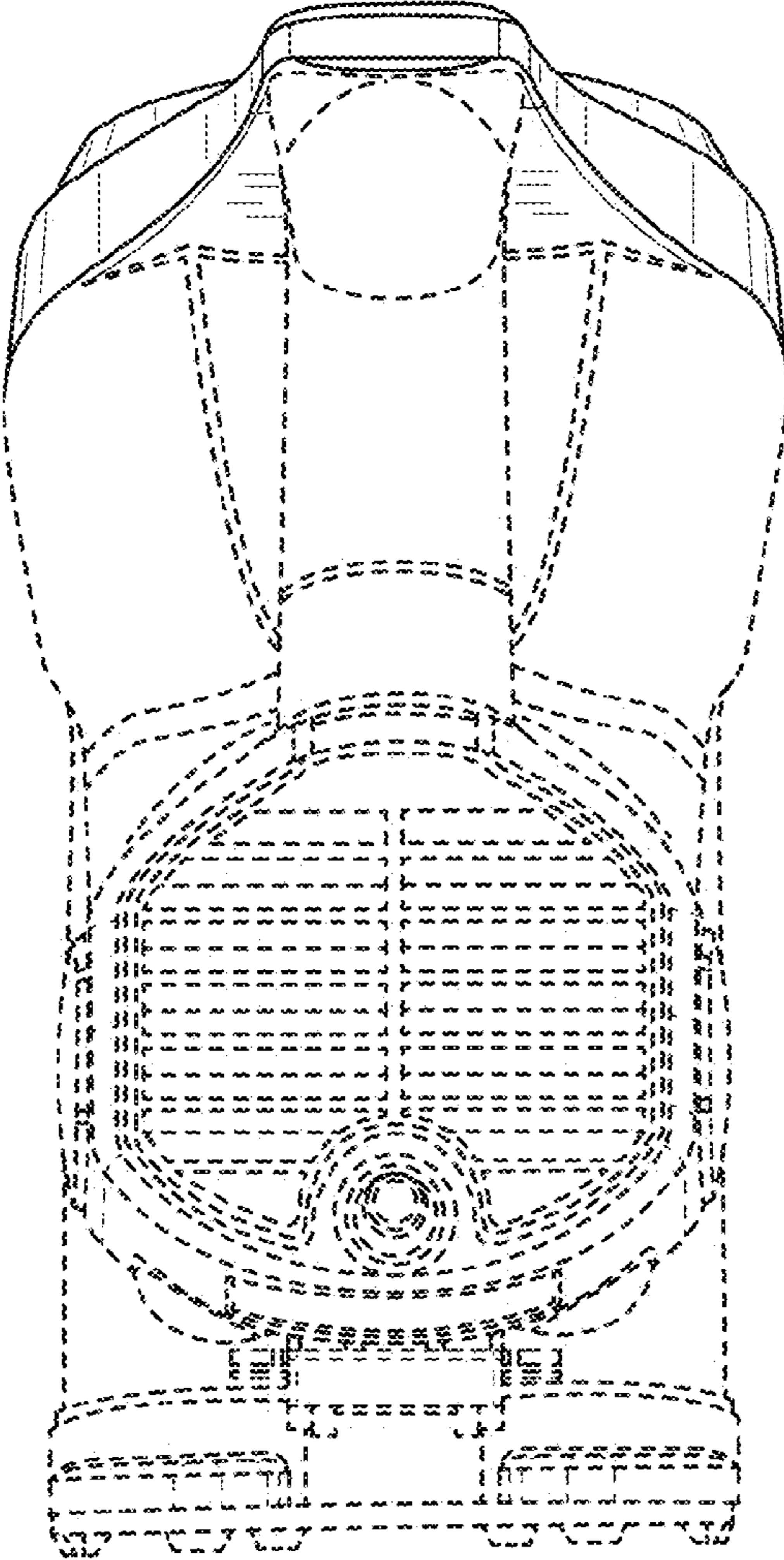


FIG. 6

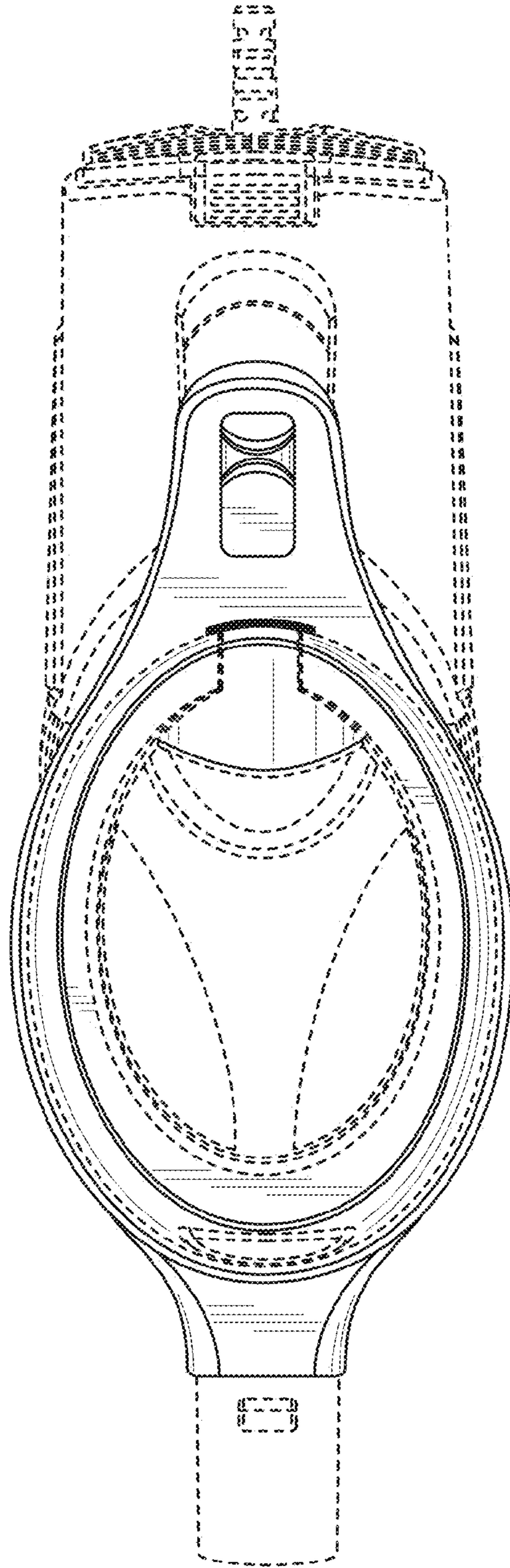


FIG. 7

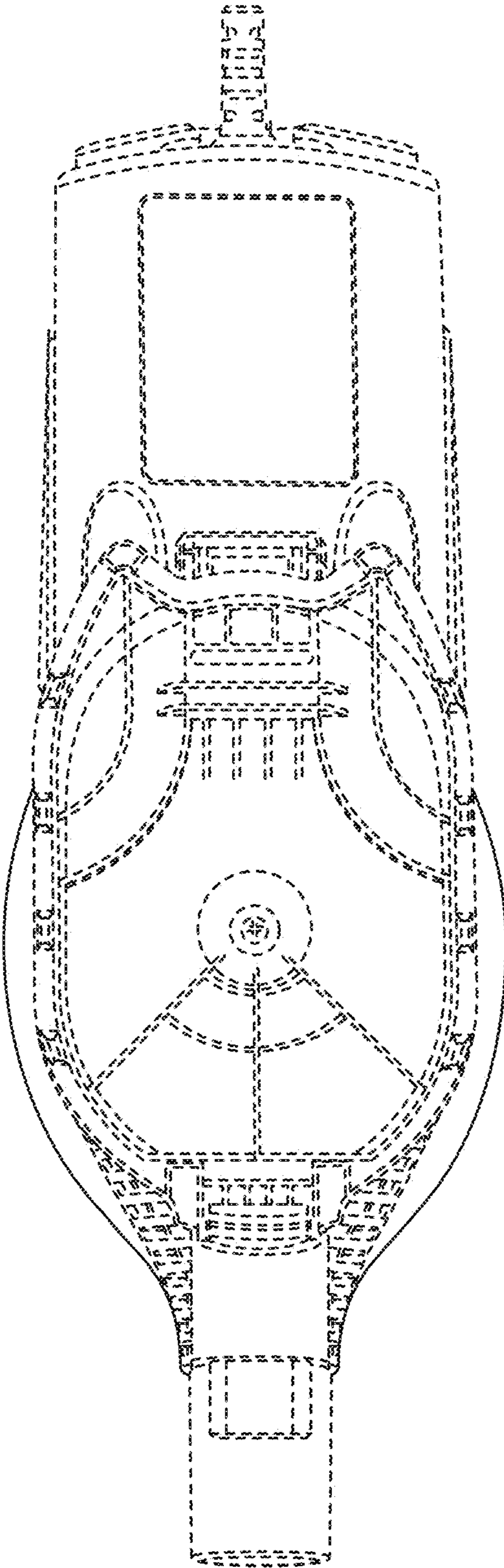


FIG. 8